



US00D737952S

(12) **United States Design Patent**  
**Matsumura**

(10) **Patent No.:** **US D737,952 S**  
(45) **Date of Patent:** **\*\* Sep. 1, 2015**

- (54) **ASPIRATOR HEAD**
- (71) Applicant: **Kenichi Matsumura**, Tokyo (JP)
- (72) Inventor: **Kenichi Matsumura**, Tokyo (JP)
- (\*\*) Term: **14 Years**
- (21) Appl. No.: **29/477,720**
- (22) Filed: **Dec. 26, 2013**
- (51) **LOC (10) Cl.** ..... **24-01**
- (52) **U.S. Cl.**  
USPC ..... **D24/108**
- (58) **Field of Classification Search**  
USPC ..... D24/108, 110.6, 111, 112, 127, 152,  
D24/176  
CPC . A61C 17/043; A61C 17/046; A61M 1/0003;  
A61M 1/008; A61M 1/0064; A61M 1/0086  
See application file for complete search history.

- D339,417 S \* 9/1993 Sampson et al. .... D24/129
- 5,975,897 A \* 11/1999 Propp et al. .... 433/91
- 6,500,142 B1 \* 12/2002 Harreld et al. .... 604/35
- D473,646 S \* 4/2003 Baillargeon et al. .... D24/129
- D474,269 S \* 5/2003 Choksi et al. .... D24/108
- D478,662 S \* 8/2003 Flinchbaugh ..... D24/129
- D484,241 S \* 12/2003 Peters et al. .... D24/129
- D484,593 S \* 12/2003 Baillargeon et al. .... D24/129
- D485,616 S \* 1/2004 Baillargeon et al. .... D24/129
- 6,902,558 B2 \* 6/2005 Laks ..... 604/521
- 7,066,903 B2 \* 6/2006 Yarger ..... 604/35
- 7,214,059 B2 \* 5/2007 Takahashi ..... 433/92
- D546,946 S \* 7/2007 Blake et al. .... D24/129
- 7,306,577 B2 \* 12/2007 Lemoine et al. .... 604/118
- 7,625,207 B2 \* 12/2009 Hershey et al. .... 433/91

(Continued)

*Primary Examiner* — Deanna L Pratt  
*Assistant Examiner* — Lilyana Bekic  
(74) *Attorney, Agent, or Firm* — Bacon & Thomas, PLLC

(57) **CLAIM**  
The ornamental design for an aspirator head, as shown and described.

(56) **References Cited**

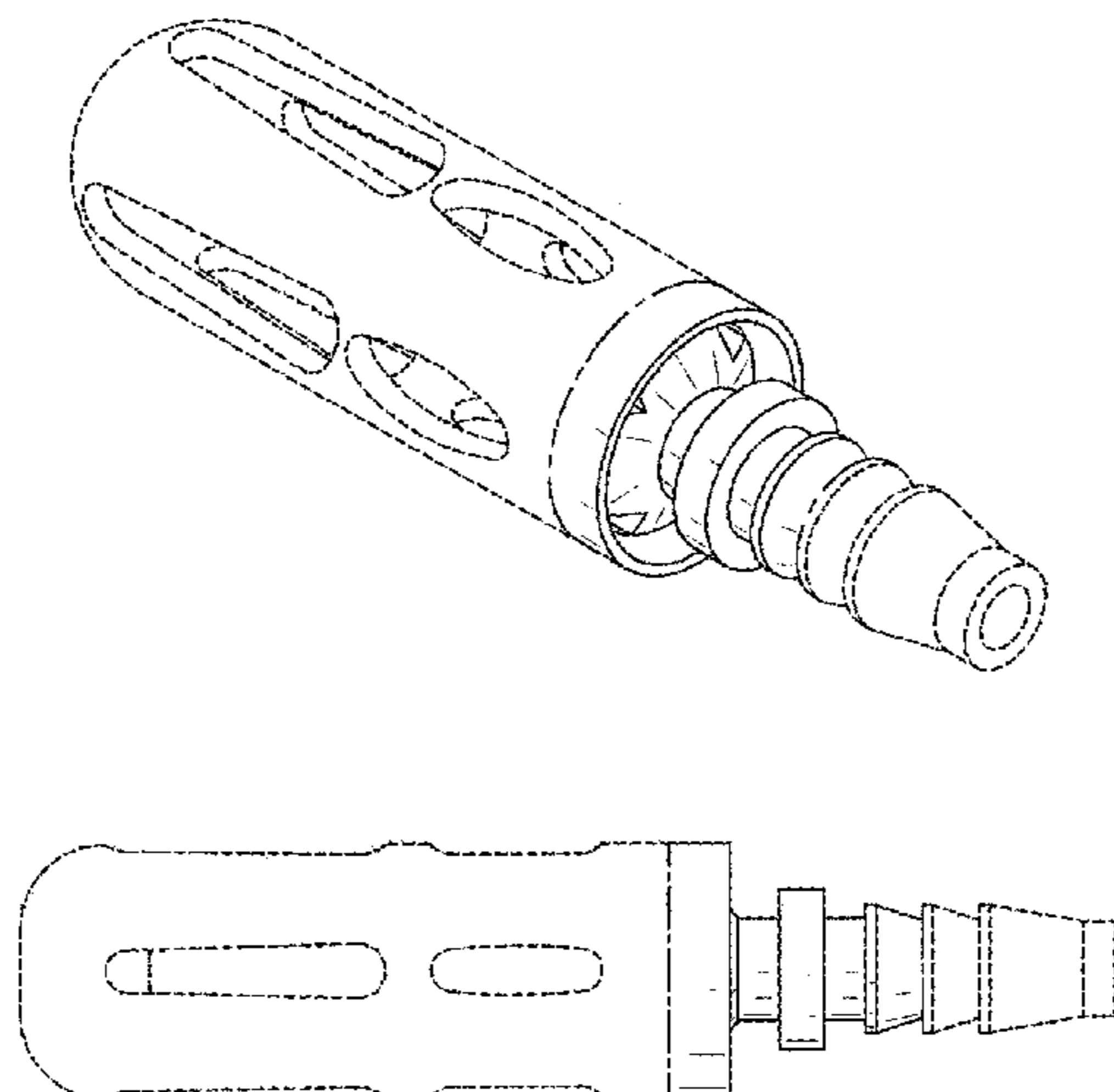
U.S. PATENT DOCUMENTS

- 2,531,730 A \* 11/1950 Henderson ..... 604/264
- 2,561,622 A \* 7/1951 Grubb ..... 433/96
- D238,576 S \* 1/1976 Vidule ..... D23/209
- D252,470 S \* 7/1979 Pawlak ..... D24/129
- D259,278 S \* 5/1981 McCaw et al. .... D24/129
- 4,451,257 A \* 5/1984 Atchley ..... 604/119
- D282,285 S \* 1/1986 Levy ..... D24/112
- D282,962 S \* 3/1986 Gerber ..... D23/262
- D283,641 S \* 4/1986 Spetzler et al. .... D24/129
- 4,586,900 A \* 5/1986 Hymanson et al. .... 433/96
- D288,361 S \* 2/1987 Lichtman ..... D24/127
- 4,784,649 A \* 11/1988 Imonti et al. .... 604/240
- D300,361 S \* 3/1989 Tokarz ..... D24/129
- 4,861,266 A \* 8/1989 Ashiku ..... 433/95
- 4,878,900 A \* 11/1989 Sundt ..... 604/119
- 4,925,450 A \* 5/1990 Imonti et al. .... 604/240
- 4,966,584 A \* 10/1990 Nguyen ..... 604/119
- 5,151,094 A \* 9/1992 Hanifl ..... 604/118
- D338,071 S \* 8/1993 Kerns et al. .... D24/224

**DESCRIPTION**

FIG. 1 is a top, perspective view of an aspirator head showing my new design;  
FIG. 2 is a top plan view thereof, the bottom plan view being an identical mirror image;  
FIG. 3 is a front elevational view thereof, the rear elevational view being an identical mirror image;  
FIG. 4 is a right side elevational view thereof;  
FIG. 5 is left side elevational view thereof;  
FIG. 6 is a sectional view taken along the line 6-6 of FIG. 2; and,  
FIG. 7 is a sectional view taken along the line 7-7 of FIG. 2. The dash-dot-dash broken lines represent the boundaries of the claimed design and form no part thereof. The dash-dash broken lines illustrate portions of the aspirator head which form no part of the claimed design.

**1 Claim, 3 Drawing Sheets**



# US D737,952 S

Page 2

---

(56)

## References Cited

8,834,450 B1 \* 9/2014 McCrary et al. .... 604/540  
2006/0016497 A1 \* 1/2006 Paul, Jr. .... 137/846

## U.S. PATENT DOCUMENTS

7,776,004 B2 \* 8/2010 Yarger ..... 604/35 \* cited by examiner

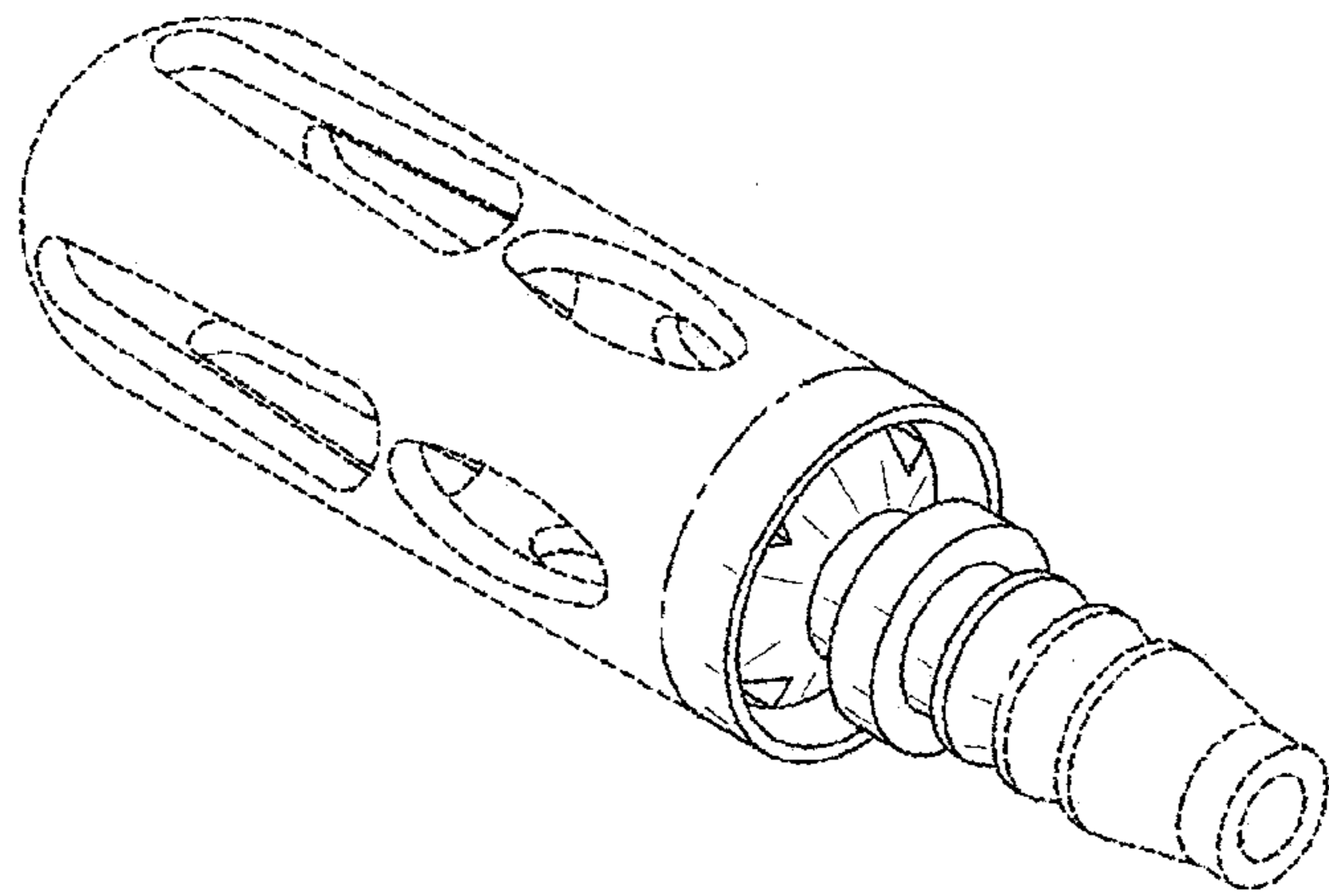


FIG. 1

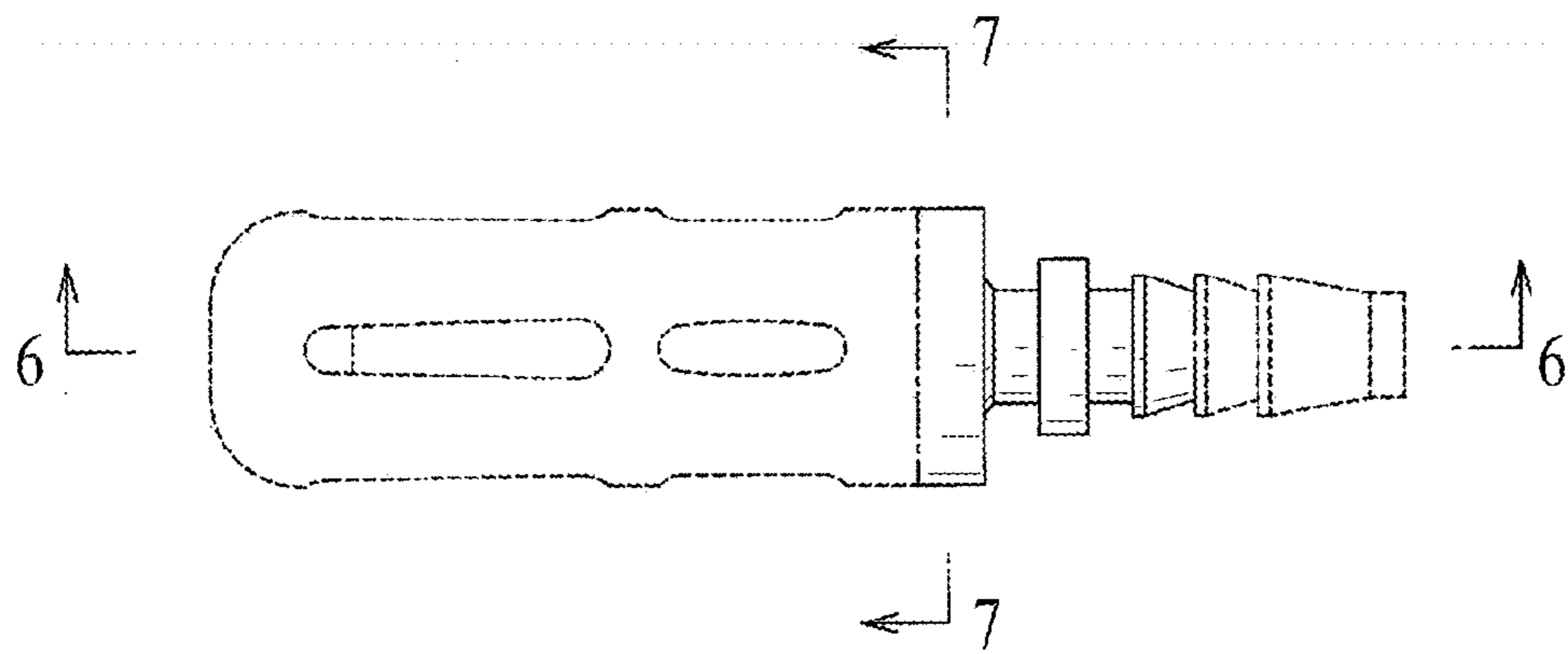


FIG. 2

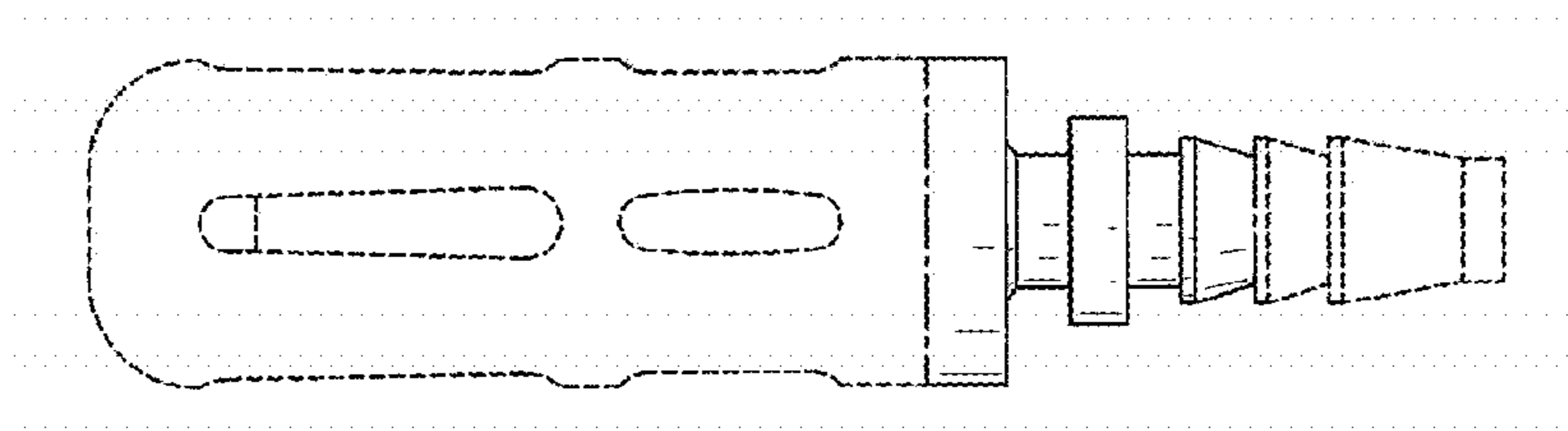


FIG. 3

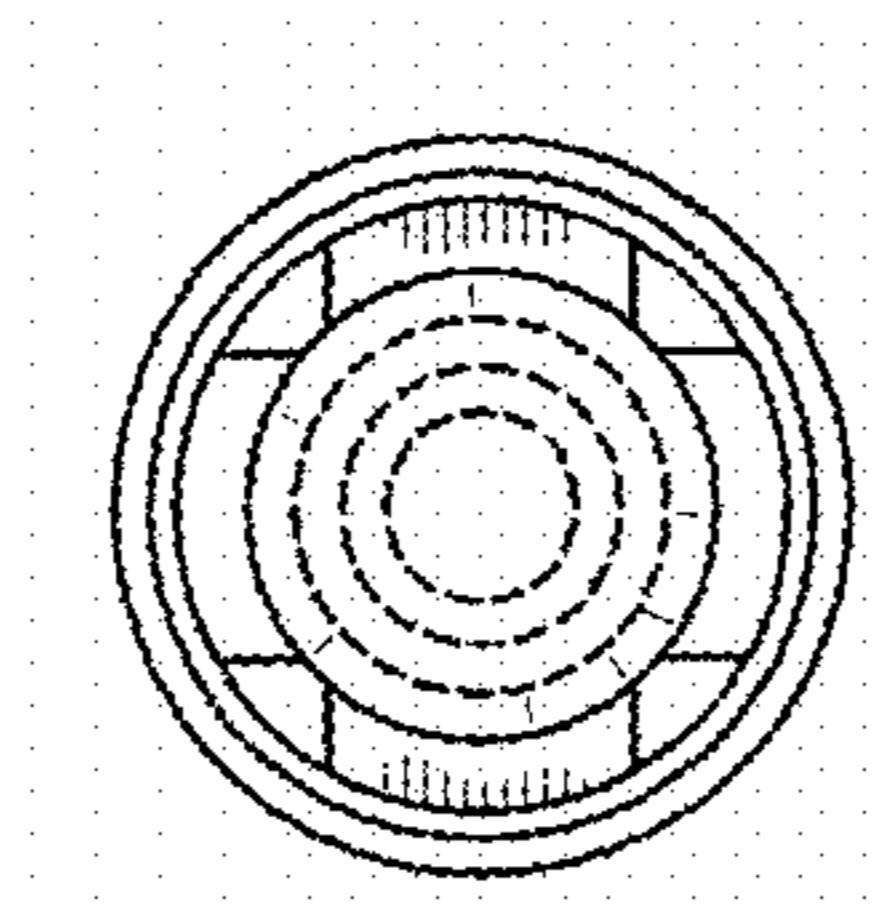


FIG. 4

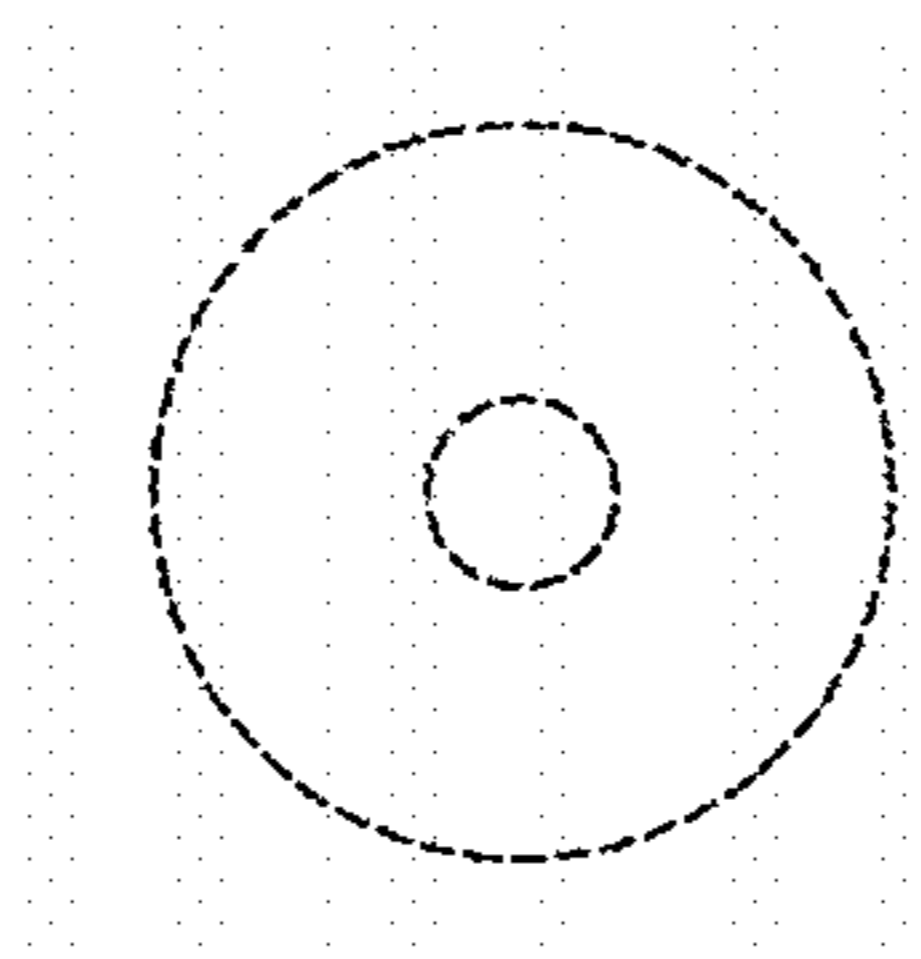


FIG. 5

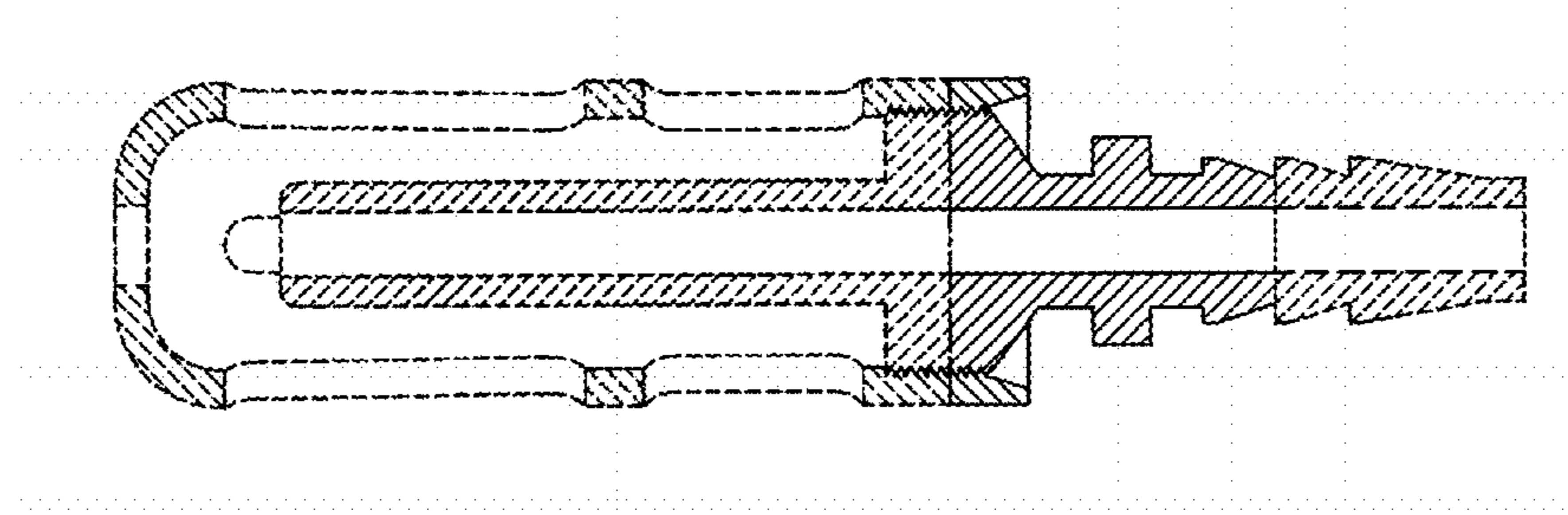


FIG. 6

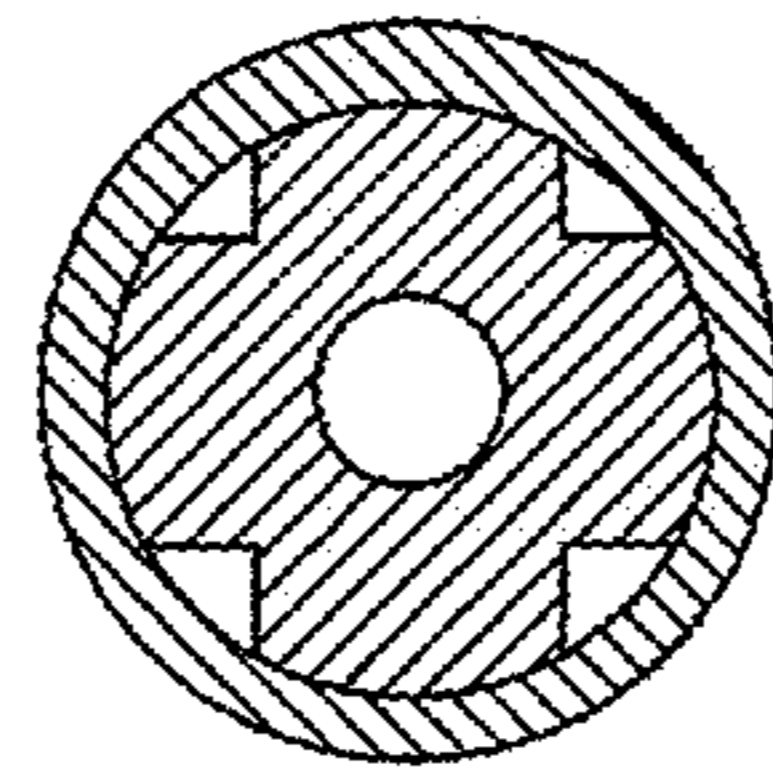


FIG. 7