



US00D737951S

(12) **United States Design Patent**
Lindsay et al.

(10) **Patent No.:** **US D737,951 S**
(45) **Date of Patent:** **** Sep. 1, 2015**

(54) **NOZZLE**

(71) Applicant: **CHURCH & DWIGHT CO., INC.**,
Princeton, NJ (US)

(72) Inventors: **Frank Lindsay**, Hamilton Square, NJ
(US); **Catherine Hartmann**,
Bois-Colombes (FR); **Ian Stapleton**,
Kent (GB)

(73) Assignee: **Church & Dwight Co., Inc.**, Princeton,
NJ (US)

(**) Term: **14 Years**

(21) Appl. No.: **29/473,842**

(22) Filed: **Nov. 26, 2013**

(51) **LOC (10) Cl.** **24-01**

(52) **U.S. Cl.**
USPC **D24/108**

(58) **Field of Classification Search**
USPC D24/107, 108, 110–112, 117, 164, 130,
D24/127, 194, 196, 197
CPC A61M 2210/0618; A61M 11/00;
A61M 1/0003; A61D 1/02
See application file for complete search history.

(56) **References Cited**

U.S. PATENT DOCUMENTS

D31,892 S	11/1899	Downey	
692,722 A	2/1902	Seltzer	
D142,980 S *	11/1945	Bery	D24/196
2,577,321 A *	12/1951	Filger	128/200.22
6,484,715 B1	11/2002	Ritsche et al.	
6,557,721 B2	5/2003	Yang	
6,644,305 B2	11/2003	MacRae et al.	
6,701,916 B2	3/2004	Mezzoli	
6,783,115 B1	8/2004	Yang	
D535,022 S *	1/2007	Davies	D24/110
D542,910 S	5/2007	MacRae et al.	
7,306,121 B2 *	12/2007	Ophardt et al.	222/209

7,513,396 B2	4/2009	Pardes et al.	
D607,992 S	1/2010	Lilienthal et al.	
7,665,923 B2	2/2010	Py et al.	
D634,630 S *	3/2011	Taylor	D9/447
D634,631 S *	3/2011	Taylor	D9/447
D636,885 S *	4/2011	Py et al.	D24/197
7,959,597 B2 *	6/2011	Baker et al.	604/28
D642,437 S *	8/2011	Schofield et al.	D7/510
D642,866 S *	8/2011	Schofield et al.	D7/510
D644,334 S *	8/2011	Py	D24/197
D722,173 S *	2/2015	Wilson	D24/196

(Continued)

FOREIGN PATENT DOCUMENTS

CA	97660	1/2003
FR	941812-001	3/1994

OTHER PUBLICATIONS

“Product Data Sheet: Bag on Valve.” http://www.aptar.com/docs/pharma-chc/bov_2012.pdf?sfvrsn=0 Aptargroup, Inc. Downloaded from web on Dec. 12, 2013.

Primary Examiner — Deanna L Pratt

Assistant Examiner — Lilyana Bekic

(74) *Attorney, Agent, or Firm* — Fishman & Associates, LLC

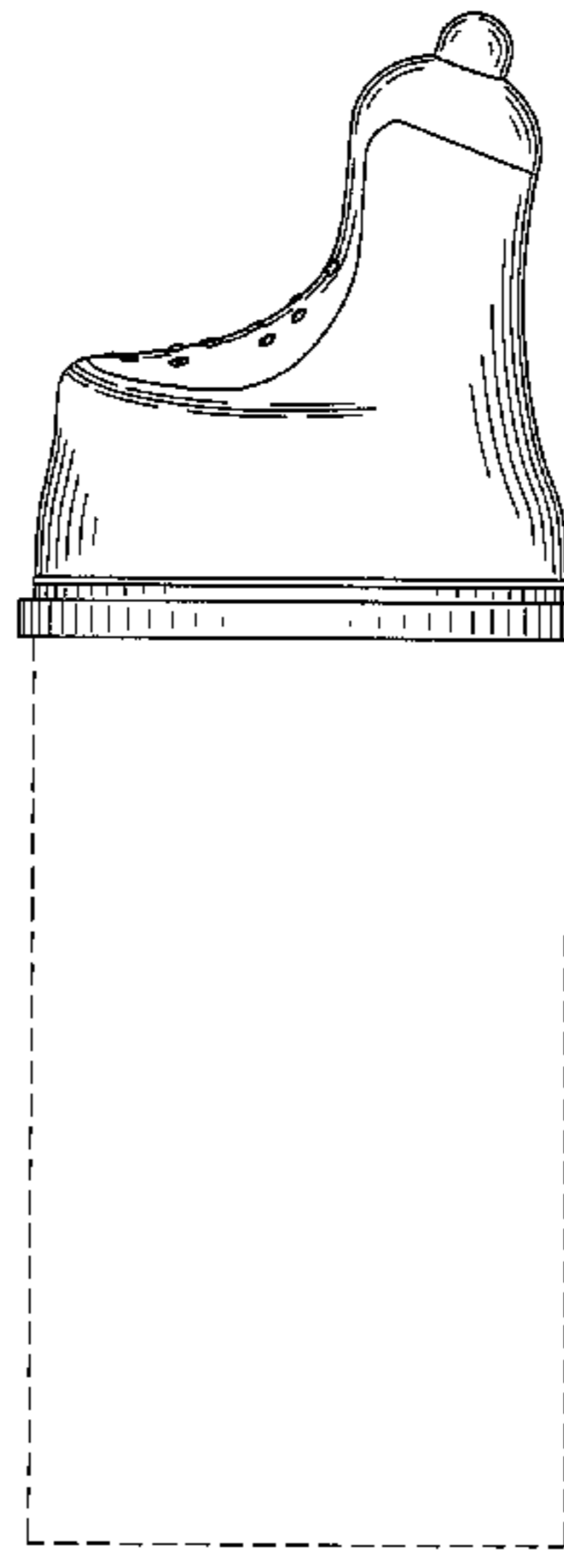
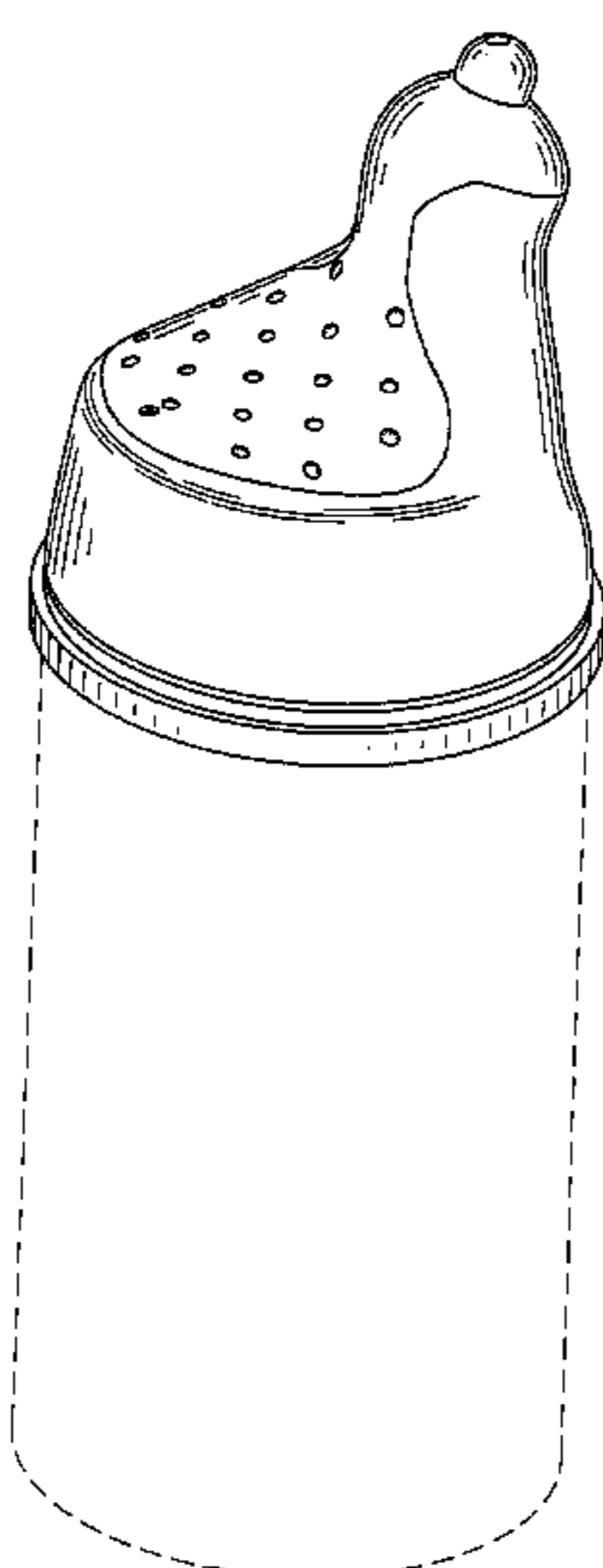
(57) **CLAIM**

The ornamental design for a nozzle, as shown and described.

DESCRIPTION

FIG. 1 is a perspective view of the nozzle;
FIG. 2 is a side view of the nozzle;
FIG. 3 is an opposite side view of the nozzle;
FIG. 4 is a back view of the nozzle;
FIG. 5 is a front view of the nozzle;
FIG. 6 is a top view of the nozzle; and,
FIG. 7 is a bottom view of the nozzle.
The broken lines in the drawings depict environmental sub-
ject matter and form no part of the claimed design.

1 Claim, 6 Drawing Sheets



(56)

References Cited

U.S. PATENT DOCUMENTS

2009/0048581	A1 *	2/2009	Sebban	604/540	2009/0253101	A1	10/2009	Arnold	
2009/0152306	A1	6/2009	Pardes et al.		2011/0139826	A1 *	6/2011	Hair et al.	222/214
2009/0218373	A1	9/2009	Pardes et al.		2011/0144588	A1 *	6/2011	Taylor et al.	604/151
2009/0236374	A1	9/2009	Pardes et al.		2011/0319840	A1 *	12/2011	Hair	604/275
					2015/0014368	A1 *	1/2015	Greiner-Perth et al. .	222/402.13

* cited by examiner

Fig. 1

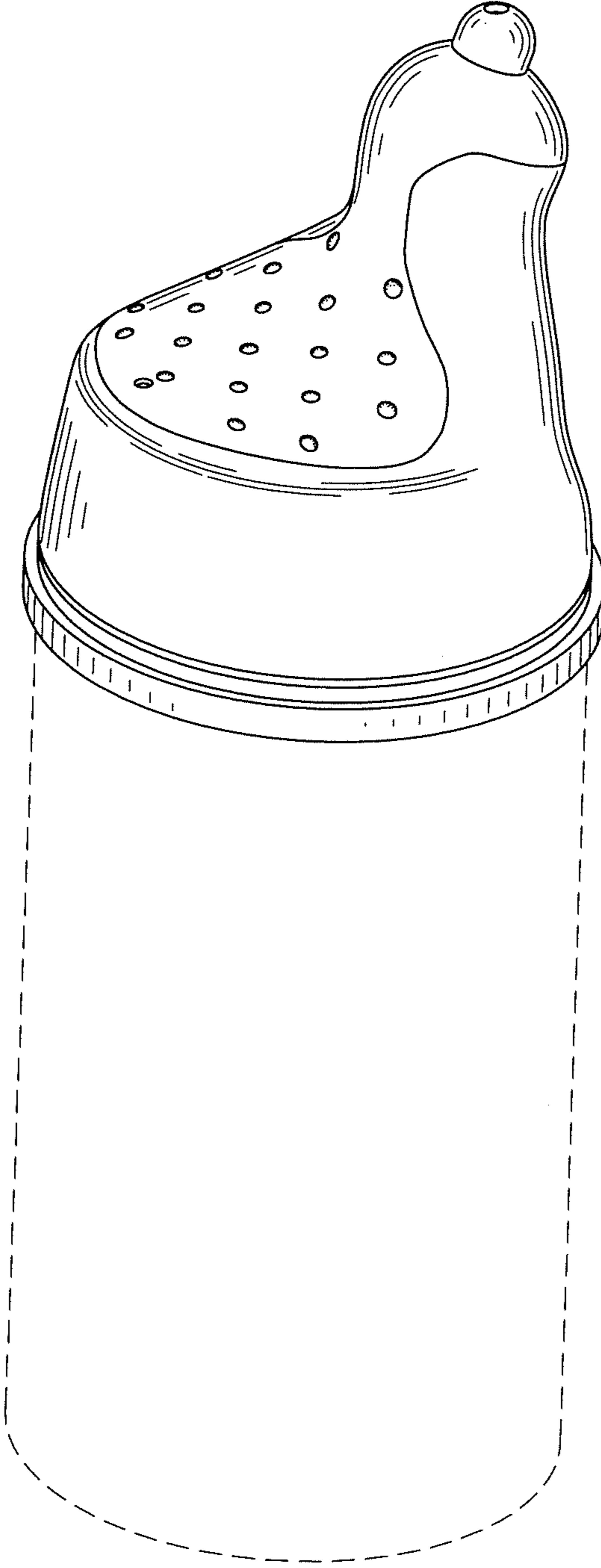


Fig. 2

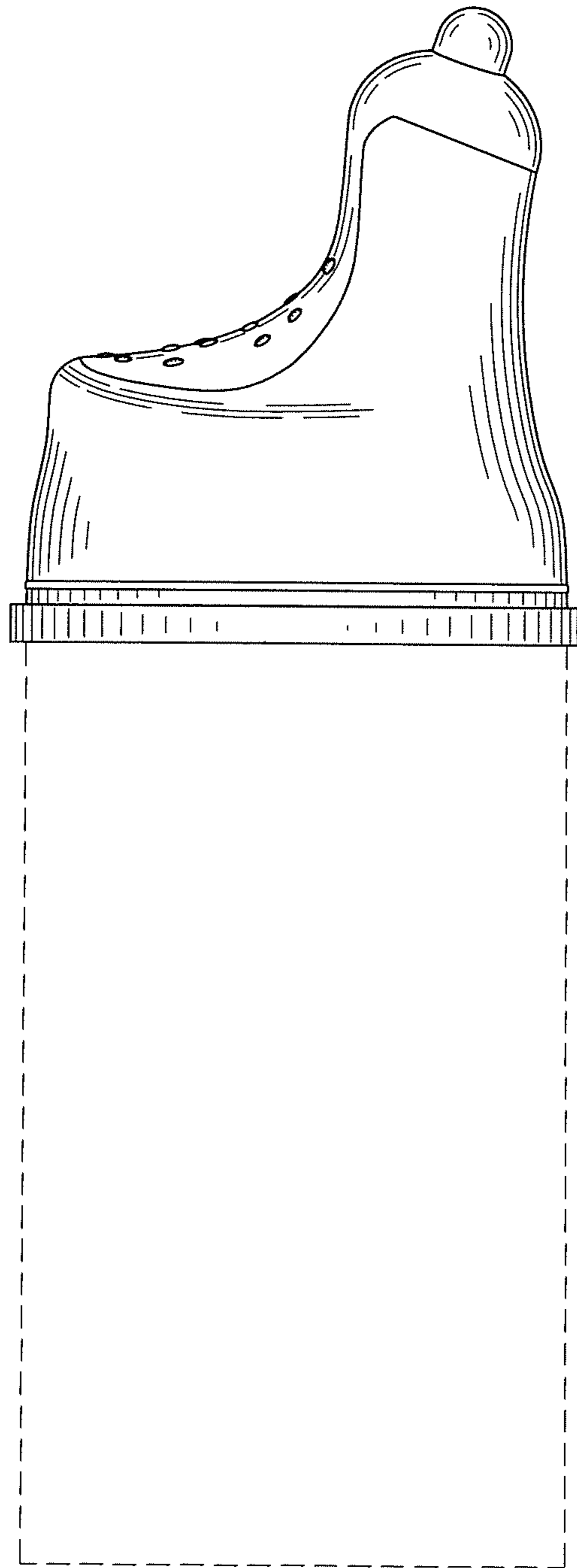


Fig. 3

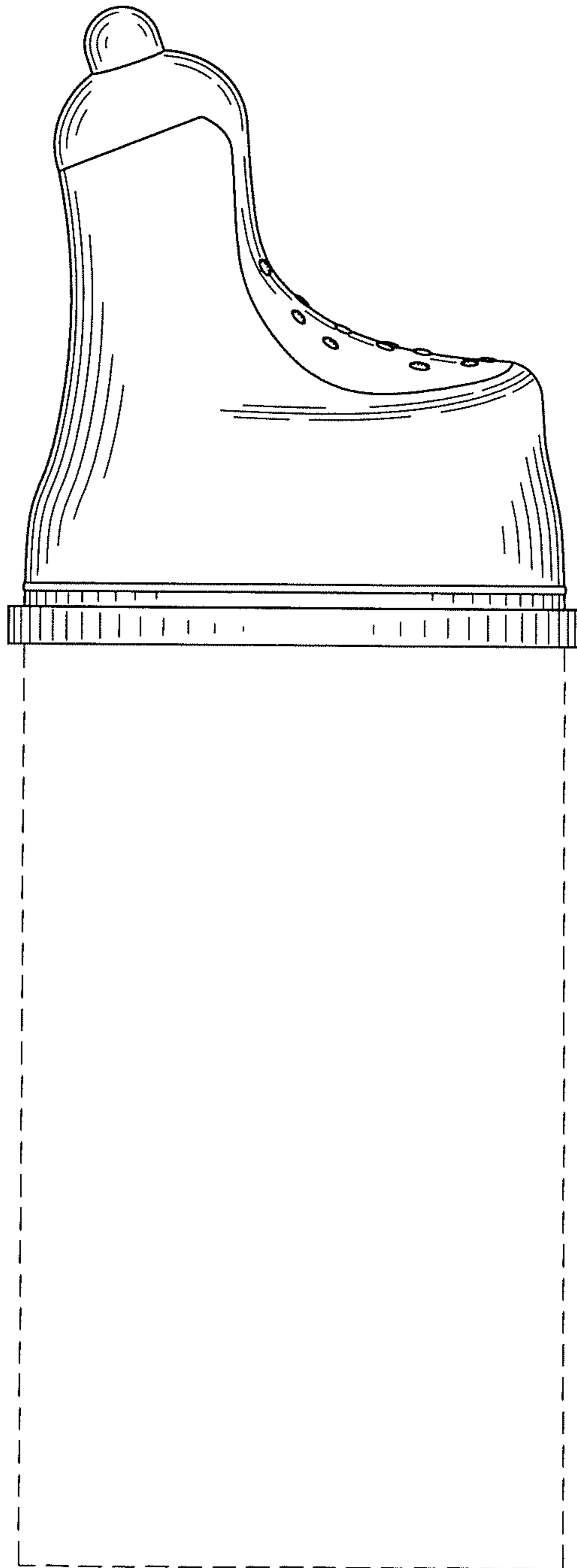


Fig. 4

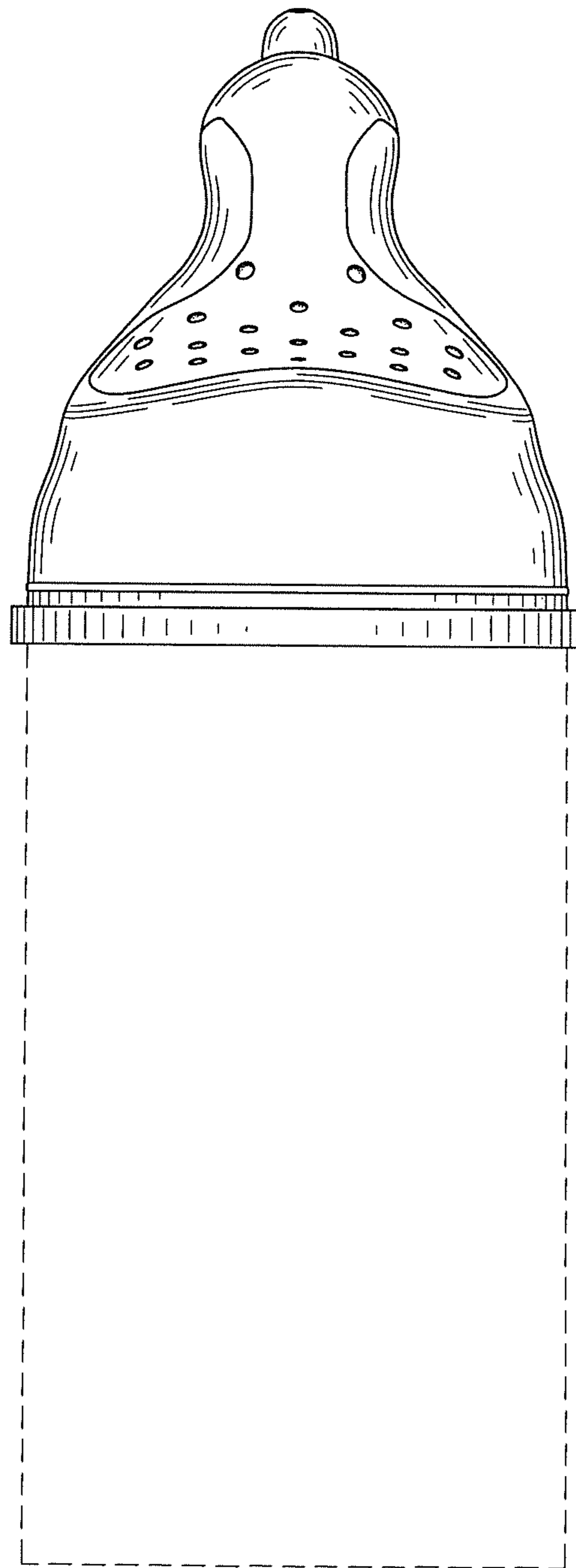


Fig. 5

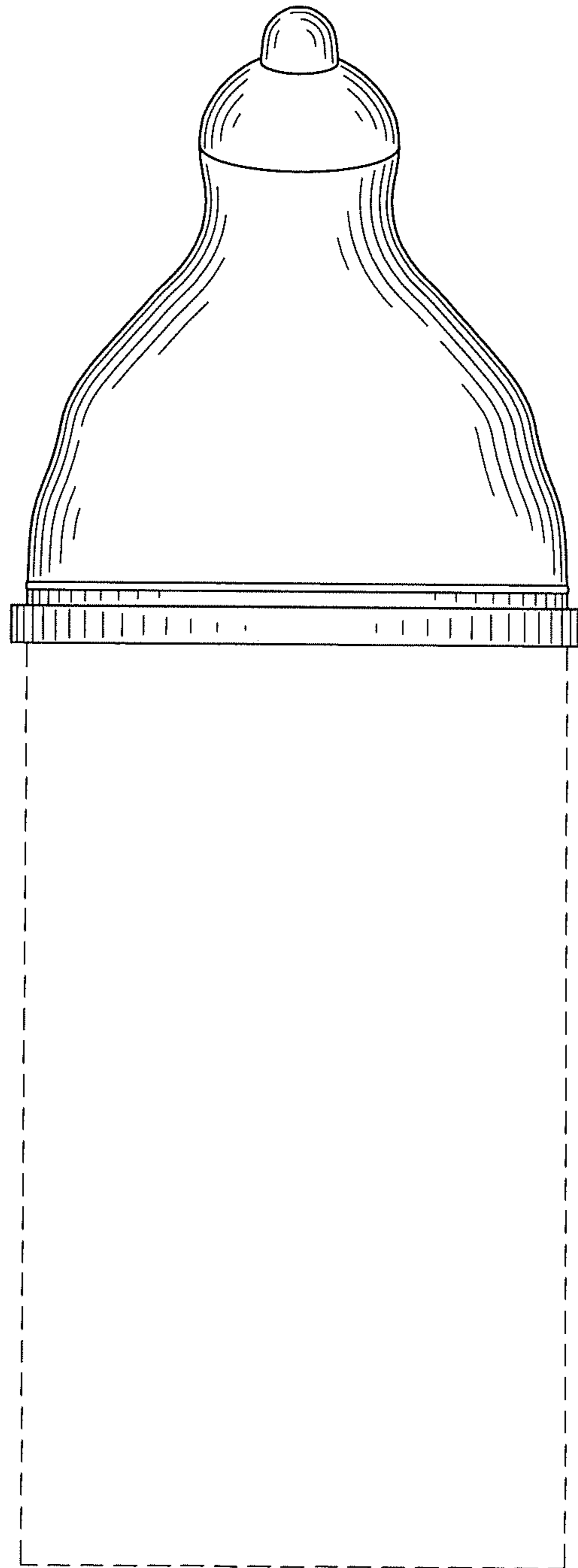


Fig. 6

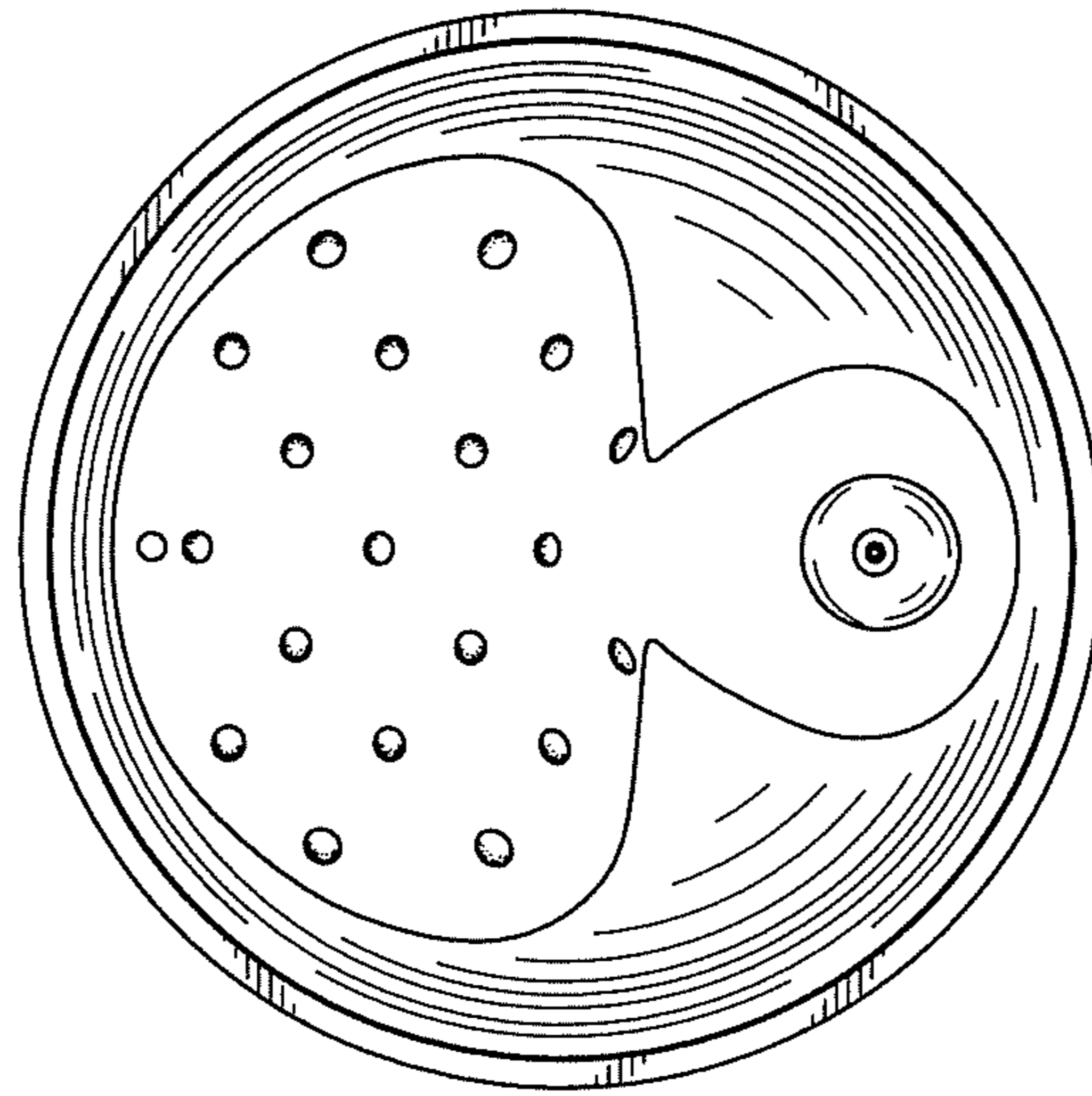


Fig. 7

