



US00D737950S

(12) **United States Design Patent**  
**He et al.**

(10) **Patent No.:** **US D737,950 S**  
(45) **Date of Patent:** **\*\* Sep. 1, 2015**

- (54) **DESK FAN**
- (71) Applicants: **Xiangming He**, Jiangmen (CN);  
**Guanglian Lin**, Jiangmen (CN)
- (72) Inventors: **Xiangming He**, Jiangmen (CN);  
**Guanglian Lin**, Jiangmen (CN)
- (\*\*) Term: **14 Years**
- (21) Appl. No.: **29/477,014**
- (22) Filed: **Dec. 18, 2013**
- (51) **LOC (10) Cl.** ..... **23-04**
- (52) **U.S. Cl.**  
USPC ..... **D23/382**
- (58) **Field of Classification Search**  
USPC ..... D23/380–385, 328, 332, 333, 335–337,  
D23/353–369, 370–379, 397, 411, 499;  
D9/526, 689–693; 392/365–369, 373,  
392/374, 382, 383; 415/53.1–53.3; 416/62,  
416/63, 100, 244 R, 246, 247 R; 417/200  
CPC ... F04D 25/084; F04D 29/601; F04D 29/388;  
F04D 29/4226  
See application file for complete search history.

- D395,080 S \* 6/1998 Jane et al. .... D23/382
- D414,858 S \* 10/1999 Litvin et al. .... D23/378
- D418,218 S \* 12/1999 Hsu ..... D23/412
- 6,183,203 B1 \* 2/2001 Grintz ..... 416/246
- D439,967 S \* 4/2001 Bogazzi ..... D23/382
- D459,467 S \* 6/2002 Wilson, Jr. .... D23/412
- D466,604 S \* 12/2002 Harris et al. .... D23/382
- D478,975 S \* 8/2003 Gajewski ..... D23/377
- D480,130 S \* 9/2003 Bucher et al. .... D23/378
- D482,770 S \* 11/2003 Bucher et al. .... D23/378
- D482,779 S \* 11/2003 Shapiro ..... D23/412
- D483,473 S \* 12/2003 Shapiro ..... D23/412
- D483,852 S \* 12/2003 Wong ..... D23/382

(Continued)

**OTHER PUBLICATIONS**

Minka Aire Retro Table Fan Giveaway. Ceilingfan.org [online] 2 pages. Uploaded Apr. 16, 2012 [retrieved on Nov. 19, 2014]. Retrieved from Internet: <<http://www.ceilingfan.org/minka-aire-retro-table-fan-giveaway-2/>>.\*

(Continued)

*Primary Examiner* — Susan Bennett Hattan  
*Assistant Examiner* — Marie Fast Horse

(57) **CLAIM**  
The ornamental design for a desk fan, as shown and described.

(56) **References Cited**

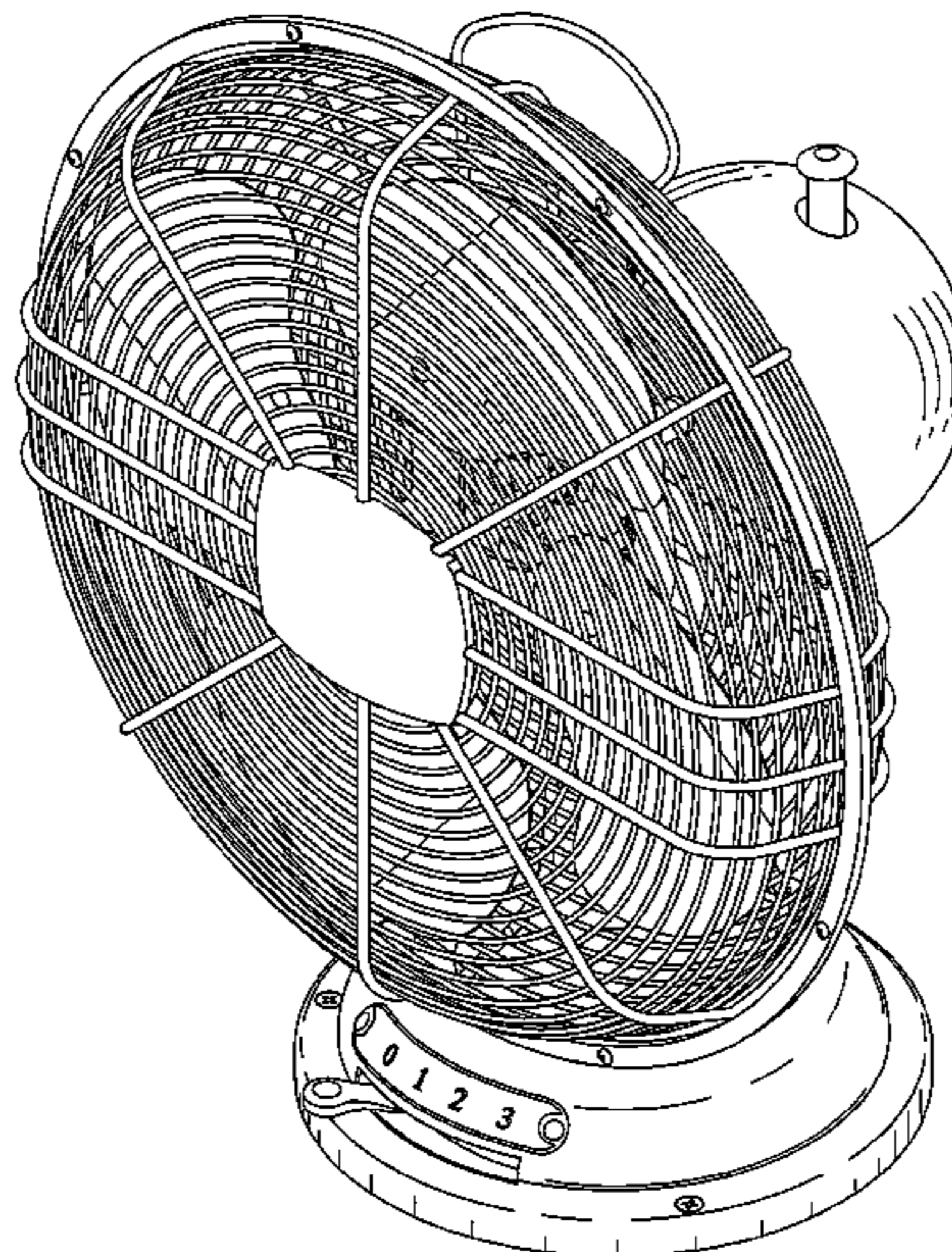
**U.S. PATENT DOCUMENTS**

- D101,225 S \* 9/1936 Knapp ..... D23/382
- D104,261 S \* 4/1937 Heller ..... D23/411
- D128,142 S \* 7/1941 Moskowitz ..... D23/382
- D148,542 S \* 2/1948 Hutchinson ..... D23/412
- D152,344 S \* 1/1949 Lindberg ..... D23/382
- D152,758 S \* 2/1949 Ullman ..... D23/382
- D167,740 S \* 9/1952 Corwin ..... D23/381
- 2,628,771 A \* 2/1953 Uhlig ..... 416/244 R
- 2,664,242 A \* 12/1953 Ford ..... 416/246
- 2,812,900 A \* 11/1957 Matthews ..... 416/247 R
- 2,829,819 A \* 4/1958 Corwin ..... 416/247 R
- 3,262,638 A \* 7/1966 Militello ..... 416/247 R
- D384,738 S \* 10/1997 Jane et al. .... D23/378
- D386,579 S \* 11/1997 Jane et al. .... D23/412
- D391,357 S \* 2/1998 Chi ..... D23/382

**DESCRIPTION**

FIG. 1 is a front elevational view of a desk fan showing our new design;  
FIG. 2 is a rear elevational view thereof;  
FIG. 3 is a left side view thereof;  
FIG. 4 is a right side view thereof;  
FIG. 5 is a top plan view thereof;  
FIG. 6 is a bottom plan view thereof; and,  
FIG. 7 is a perspective view thereof.  
The broken lines in the drawings depict parts of the desk fan that form no part of the claimed design.

**1 Claim, 7 Drawing Sheets**



(56)

References Cited

U.S. PATENT DOCUMENTS

D484,965 S \* 1/2004 Wong ..... D23/378  
 D485,896 S \* 1/2004 Chen ..... D23/377  
 D487,146 S \* 2/2004 Thomas, Jr. .... D23/382  
 D489,443 S \* 5/2004 Gajewski ..... D23/377  
 D489,809 S \* 5/2004 Gajewski ..... D23/411  
 D490,146 S \* 5/2004 Gajewski ..... D23/377  
 D492,402 S \* 6/2004 Shapiro ..... D23/412  
 D493,217 S \* 7/2004 Spina et al. .... D23/377  
 6,790,009 B1 \* 9/2004 Carbajal ..... 416/247 R  
 D511,570 S \* 11/2005 Ke ..... D23/378  
 D513,317 S \* 12/2005 Melwani ..... D23/379  
 D523,550 S \* 6/2006 Hidalgo et al. .... D23/411  
 D526,400 S \* 8/2006 Hidalgo et al. .... D23/377  
 D526,712 S \* 8/2006 Hidalgo et al. .... D23/377  
 D532,097 S \* 11/2006 Hidalgo et al. .... D23/377  
 D538,921 S \* 3/2007 Li ..... D23/382  
 D540,936 S \* 4/2007 Li ..... D23/382  
 D542,906 S \* 5/2007 Li ..... D23/382  
 D554,748 S \* 11/2007 Li ..... D23/382  
 D562,962 S \* 2/2008 Li ..... D23/382  
 D594,965 S \* 6/2009 Bucher et al. .... D23/411  
 D613,392 S \* 4/2010 Yeung ..... D23/382  
 2007/0166172 A1 \* 7/2007 Gyanendra et al. .... 417/200

2008/0298961 A1 \* 12/2008 Frampton et al. .... 415/213.1  
 2012/0051884 A1 \* 3/2012 Junkel et al. .... 415/90  
 2013/0004330 A1 \* 1/2013 He et al. .... 416/244 R

OTHER PUBLICATIONS

Copper Colored Oscillating Fan. qifacn.com [online] 4 pages. Uploaded as early as 2013 [retrieved on Nov. 19, 2014]. Retrieved from Internet: < <http://www.qifacn.com/?en-showproduct-1-1.html>>.\*  
 Init™—12" Retro Table Fan—Init 12" Retro Table Fan—Stainless-Steel. bestbuy.com [online review] 4 pages. Uploaded as early as May 23, 2013 [retrieved on Nov. 19, 2014]. Retrieved from Internet: <<http://www.bestbuy.com/site/init-12-retro-table-fan-stainless-steel/7476057.p?>id=1218849840285&skuId=7476057>>.\*  
 Desk Fans (Design- © Questel). orbit.com [online PDF] 21 pages. Uploaded range 1998-2014 [retrieved on Nov. 18, 2014]. Retrieved from Internet: <<http://sobjprd.questel.fr/export/QPTUJ214/pdf2/c04e09e5-9b01-4eaa-8894-4047e8a582f7-170615.pdf>>.\*  
 Retro Fans. adorbymelissa.com [online] pages 12 and 13 of 18. Uploaded as early as Jul. 18, 2010 [retrieved on Nov. 20, 2014]. Retrieved from Internet: [http://www.adorbymelissa.com/2010\\_07\\_01\\_archive.html](http://www.adorbymelissa.com/2010_07_01_archive.html).\*

\* cited by examiner

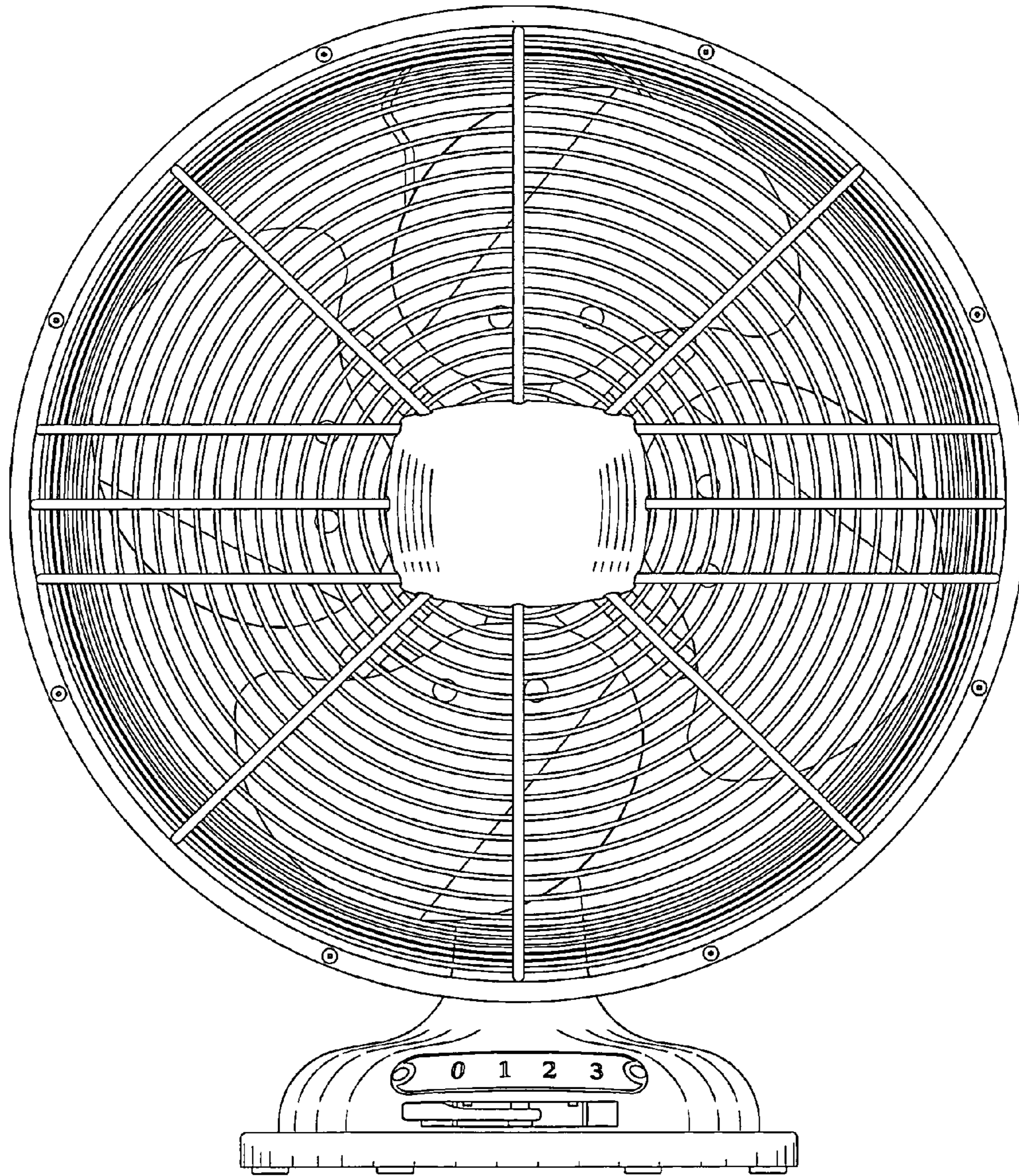


FIG. 1

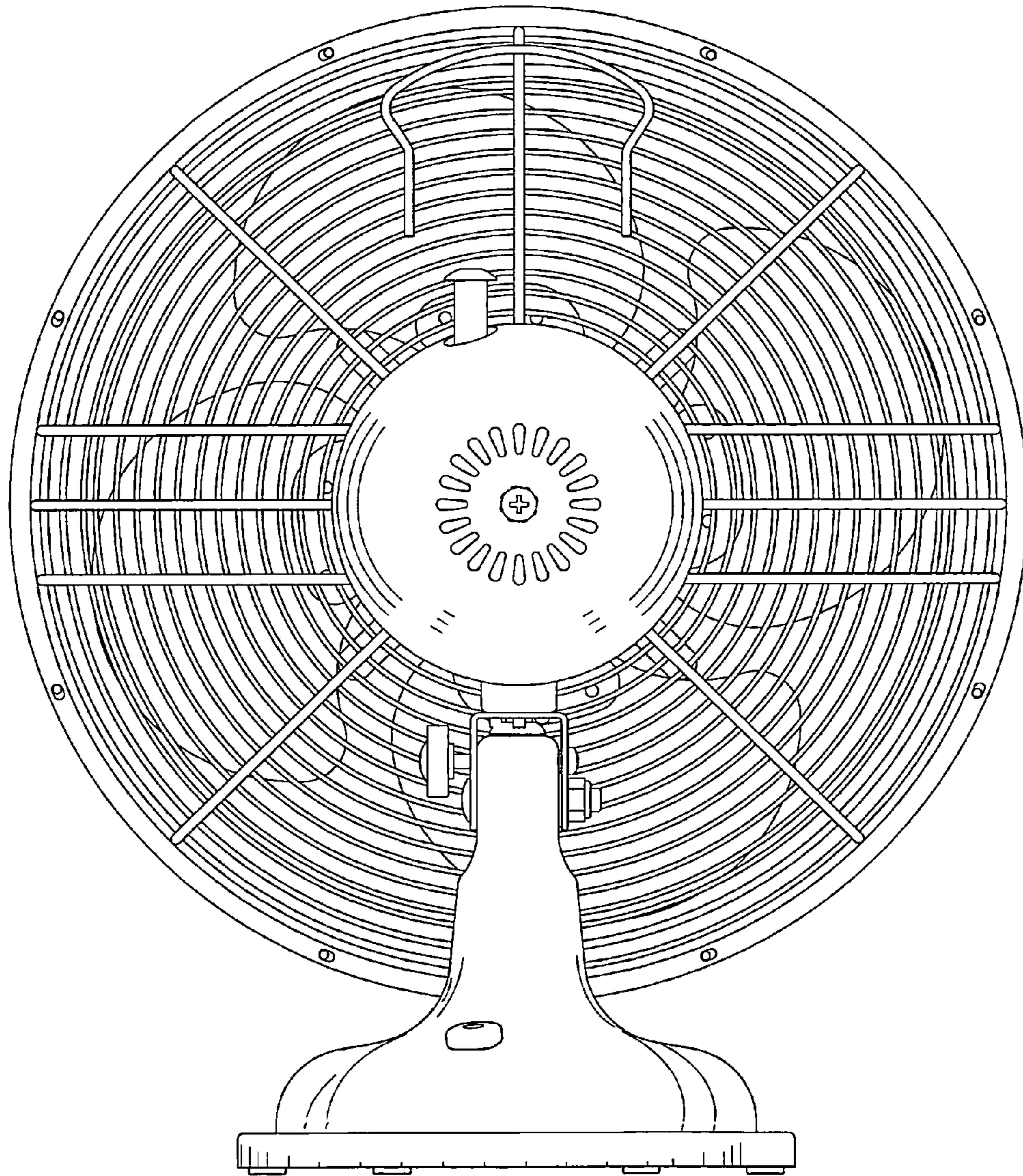


FIG. 2

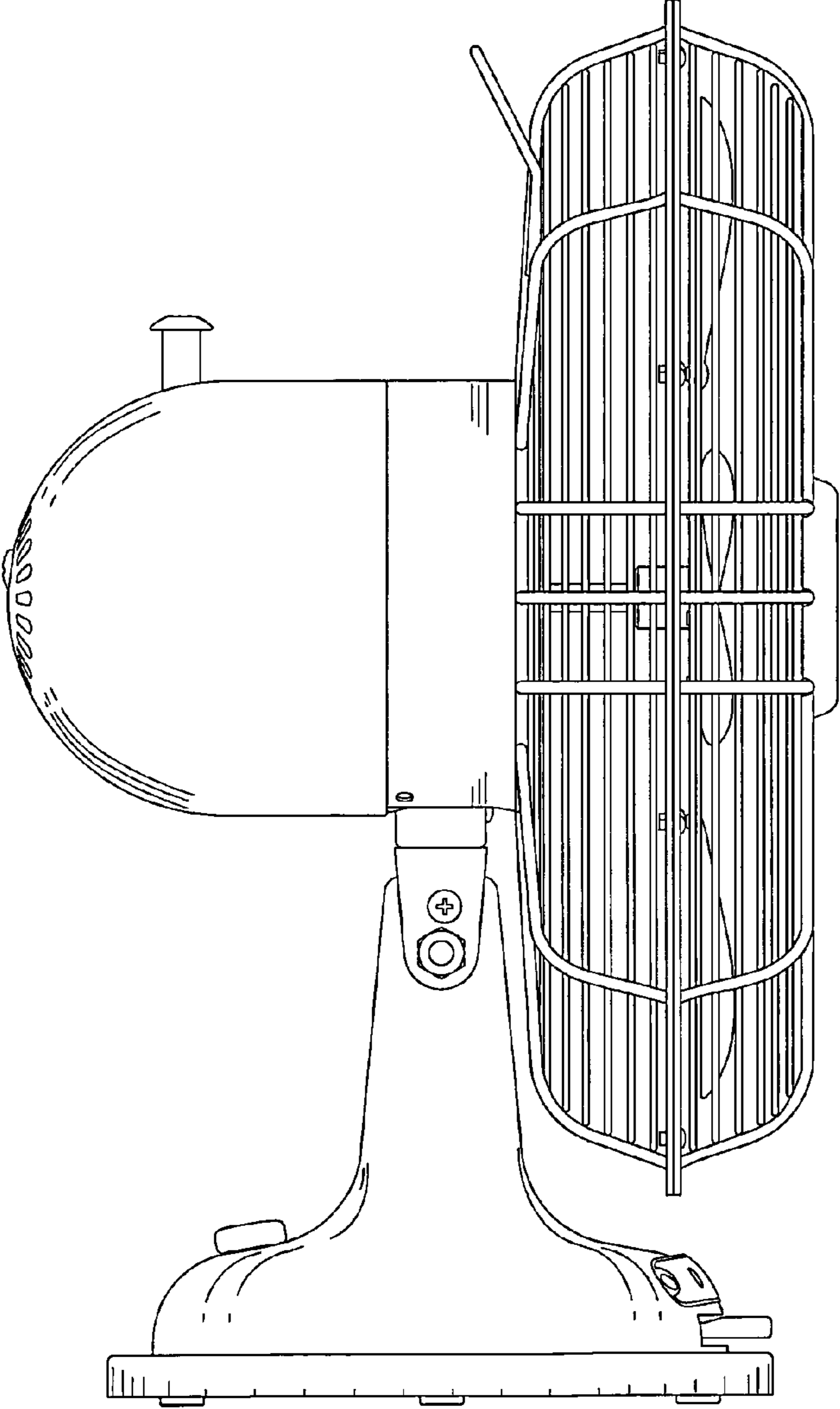


FIG. 3

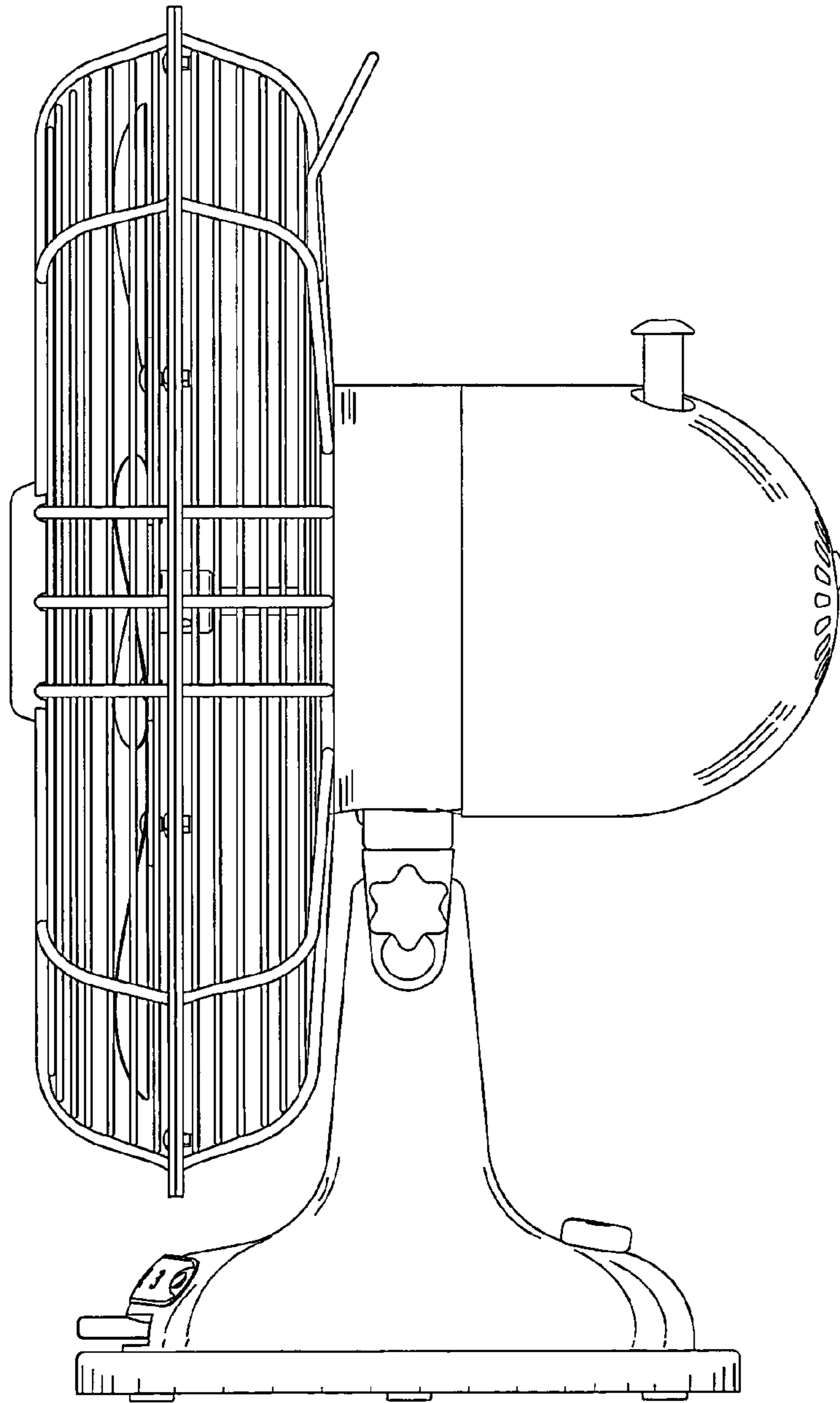


FIG. 4

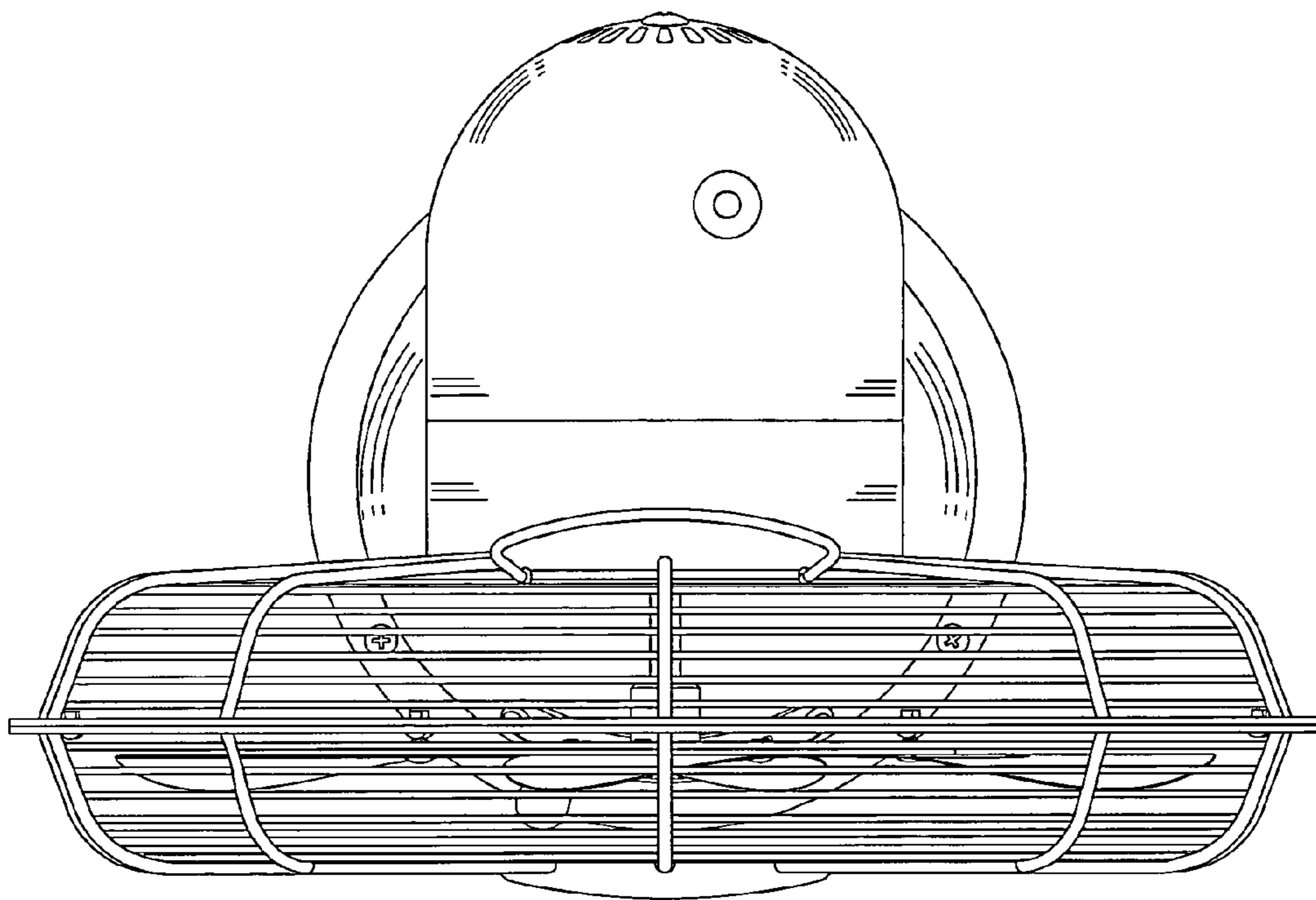


FIG. 5

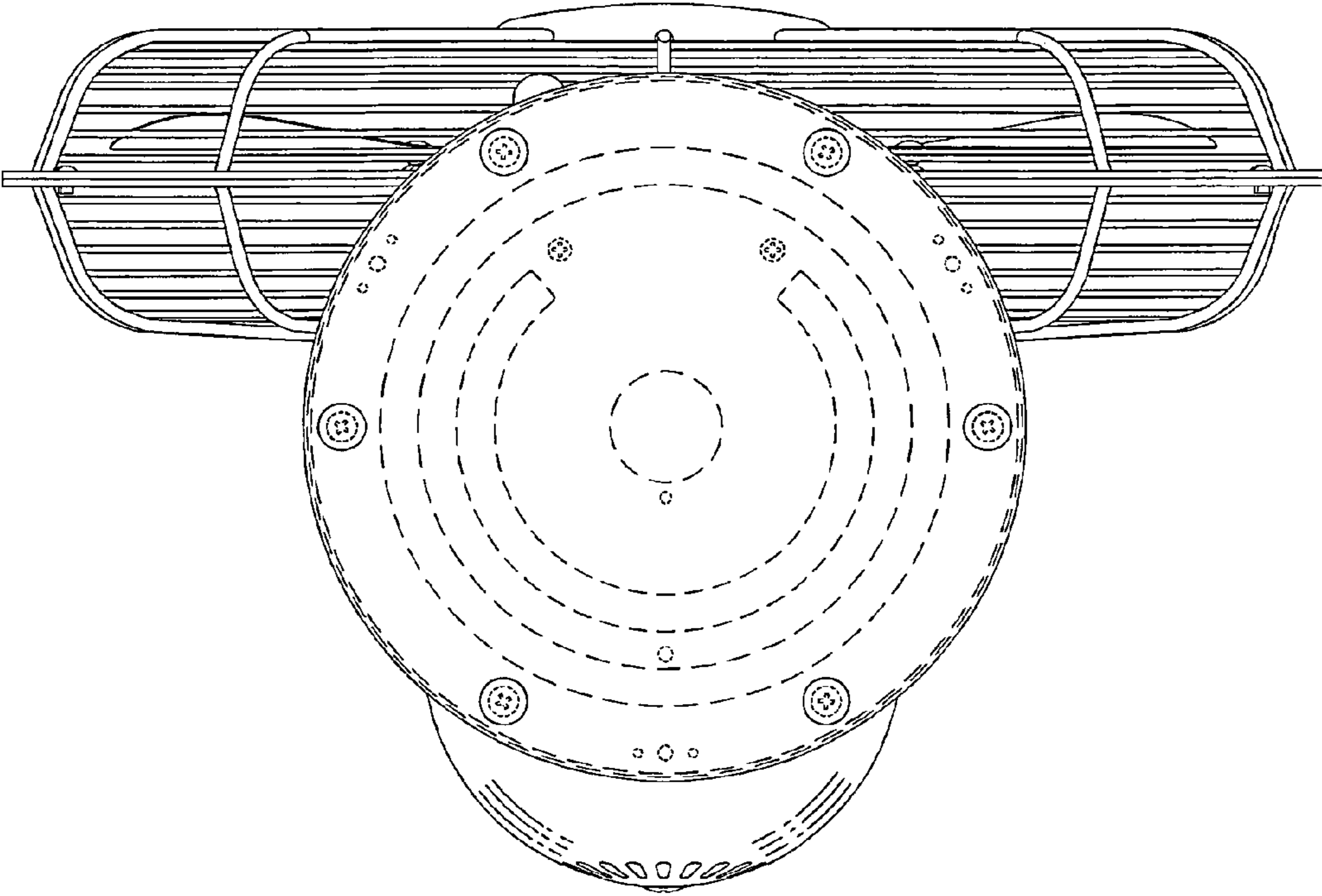


FIG. 6



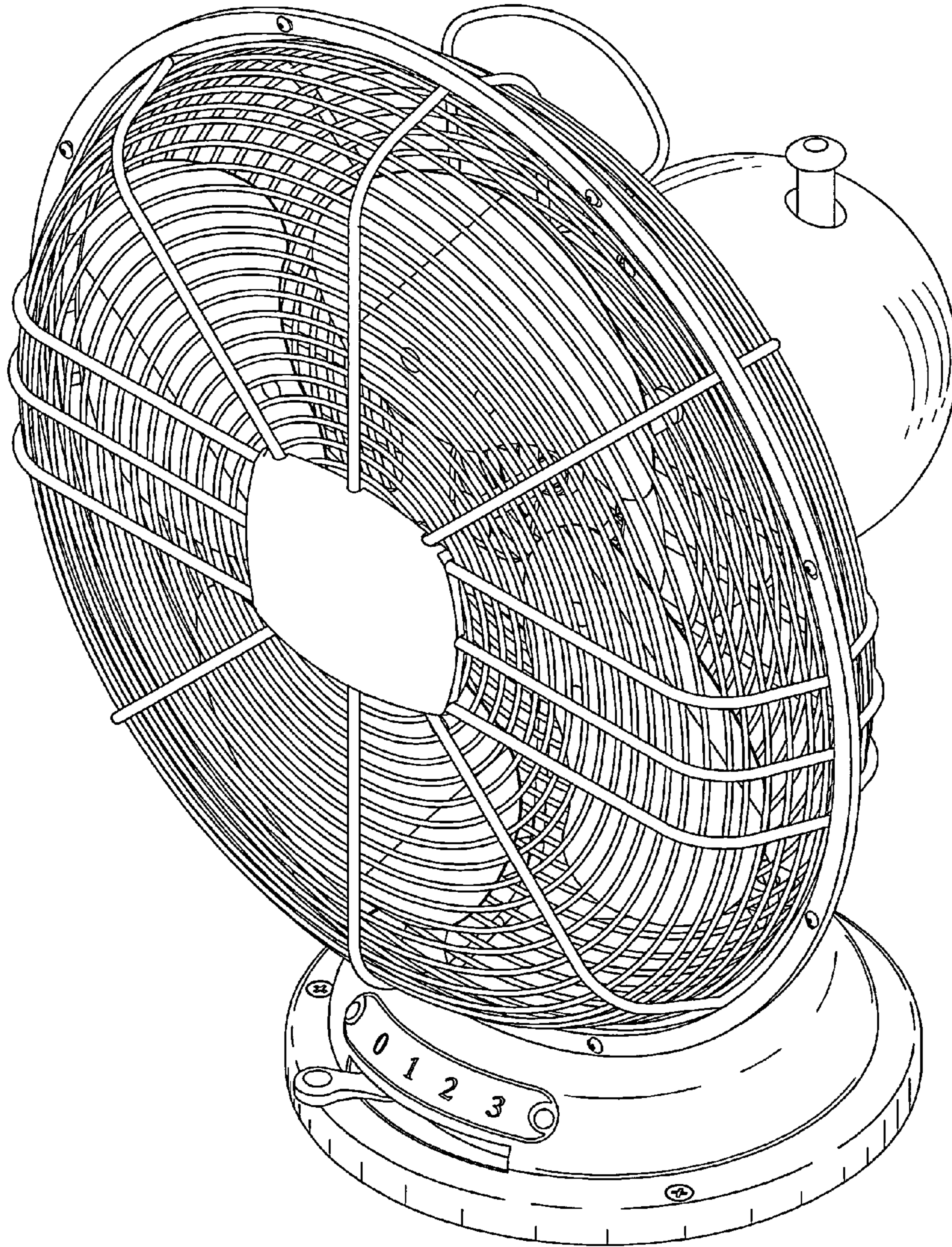


FIG. 7