



US00D737949S

(12) **United States Design Patent**
He et al.

(10) **Patent No.:** **US D737,949 S**
(45) **Date of Patent:** **** Sep. 1, 2015**

(54) **DESK FAN**
(71) Applicants: **Xiangming He**, Jiangmen (CN);
Guanglian Lin, Jiangmen (CN)
(72) Inventors: **Xiangming He**, Jiangmen (CN);
Guanglian Lin, Jiangmen (CN)
(**) Term: **14 Years**
(21) Appl. No.: **29/477,012**
(22) Filed: **Dec. 18, 2013**
(51) **LOC (10) Cl.** **23-04**
(52) **U.S. Cl.**
USPC **D23/382**
(58) **Field of Classification Search**
USPC D23/380–385, 328, 332, 333, 335–337,
D23/353–369, 370–379, 397, 411, 499;
D9/526, 689–693; 392/365–369, 373,
392/374, 382, 383; 415/53.1–53.3; 416/62,
416/63, 100, 244 R, 246, 247 R; 417/200
CPC ... F04D 25/084; F04D 29/601; F04D 29/388;
F04D 29/4226
See application file for complete search history.

D395,080 S * 6/1998 Jane et al. D23/382
D414,858 S * 10/1999 Litvin et al. D23/378
D418,218 S * 12/1999 Hsu D23/412
6,183,203 B1 * 2/2001 Grintz 416/246
D439,967 S * 4/2001 Bogazzi D23/382
D459,467 S * 6/2002 Wilson, Jr. D23/412
D466,604 S * 12/2002 Harris et al. D23/382
D478,975 S * 8/2003 Gajewski D23/377
D480,130 S * 9/2003 Bucher et al. D23/378
D482,770 S * 11/2003 Bucher et al. D23/378
D482,779 S * 11/2003 Shapiro D23/412
D483,473 S * 12/2003 Shapiro D23/412
D483,852 S * 12/2003 Wong D23/382

(Continued)

OTHER PUBLICATIONS

Minka Aire Retro Table Fan Giveaway. Ceilingfan.org [online] 2 pages. Uploaded Apr. 16, 2012 [retrieved on Nov. 19, 2014]. Retrieved from Internet <<http://www.ceilingfan.org/minka-aire-retro-table-fan-giveaway-2/>>.*

(Continued)

Primary Examiner — Susan Bennett Hattan
Assistant Examiner — Marie Fast Horse

(57) **CLAIM**
The ornamental design for a desk fan, as shown and described.

(56) **References Cited**

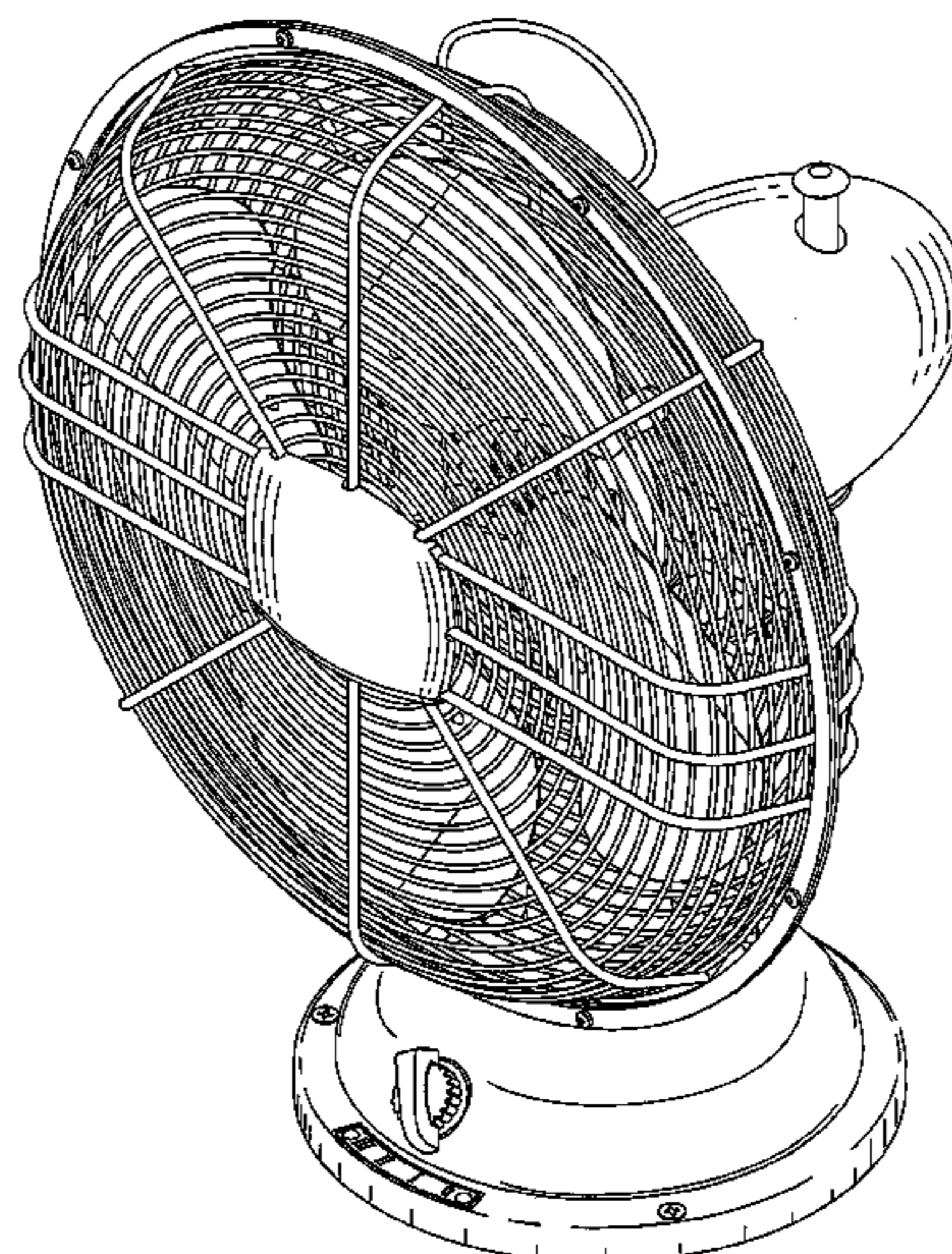
U.S. PATENT DOCUMENTS

D101,225 S * 9/1936 Knapp D23/382
D104,261 S * 4/1937 Heller D23/411
D128,142 S * 7/1941 Moskowitz D23/382
D148,542 S * 2/1948 Hutchenson D23/412
D152,344 S * 1/1949 Lindberg D23/382
D152,758 S * 2/1949 Ullman D23/382
D167,740 S * 9/1952 Corwin D23/381
2,628,771 A * 2/1953 Uhlig 416/244 R
2,664,242 A * 12/1953 Ford 416/246
2,812,900 A * 11/1957 Matthews 416/247 R
2,829,819 A * 4/1958 Corwin 416/247 R
3,262,638 A * 7/1966 Militello 416/247 R
D384,738 S * 10/1997 Jane et al. D23/378
D386,579 S * 11/1997 Jane et al. D23/412
D391,357 S * 2/1998 Chi D23/382

DESCRIPTION

FIG. 1 is a front elevational view of a desk fan showing our new design;
FIG. 2 is a rear elevational view thereof;
FIG. 3 is a left side view thereof;
FIG. 4 is a right side view thereof;
FIG. 5 is a top plan view thereof;
FIG. 6 is a bottom plan view thereof; and,
FIG. 7 is a perspective view thereof.
The broken lines in the drawings depict parts of the desk fan that form no part of the claimed design.

1 Claim, 7 Drawing Sheets



(56)

References Cited

U.S. PATENT DOCUMENTS

D484,965 S * 1/2004 Wong D23/378
 D485,896 S * 1/2004 Chen D23/377
 D487,146 S * 2/2004 Thomas, Jr. D23/382
 D489,443 S * 5/2004 Gajewski D23/377
 D489,809 S * 5/2004 Gajewski D23/411
 D490,146 S * 5/2004 Gajewski D23/377
 D492,402 S * 6/2004 Shapiro D23/412
 D493,217 S * 7/2004 Spina et al. D23/377
 6,790,009 B1 * 9/2004 Carbajal 416/247 R
 D511,570 S * 11/2005 Ke D23/378
 D513,317 S * 12/2005 Melwani D23/379
 D523,550 S * 6/2006 Hidalgo et al. D23/411
 D526,400 S * 8/2006 Hidalgo et al. D23/377
 D526,712 S * 8/2006 Hidalgo et al. D23/377
 D532,097 S * 11/2006 Hidalgo et al. D23/377
 D538,921 S * 3/2007 Li D23/382
 D540,936 S * 4/2007 Li D23/382
 D542,906 S * 5/2007 Li D23/382
 D554,748 S * 11/2007 Li D23/382
 D562,962 S * 2/2008 Li D23/382
 D594,965 S * 6/2009 Bucher et al. D23/411

D613,392 S * 4/2010 Yeung D23/382
 2007/0166172 A1 * 7/2007 Gyanendra et al. 417/200
 2008/0298961 A1 * 12/2008 Frampton et al. 415/213.1
 2012/0051884 A1 * 3/2012 Junkel et al. 415/90
 2013/0004330 A1 * 1/2013 He et al. 416/244 R

OTHER PUBLICATIONS

Copper Colored Oscillating Fan. qifacn.com [online] 4 pages. Uploaded as early as 2013 [retrieved on Nov. 19, 2014]. Retrieved from Internet < <http://www.qifacn.com/?en-showproduct-1-1.html>>.*
 Init™—12" Retro Table Fan—Stainless-Steel. bestbuy.com [online review] 4 pages. Uploaded as early as May 23, 2013 [retrieved on Nov. 19, 2014]. Retrieved from Internet: <<http://www.bestbuy.com/site/init-12-retro-table-fan-stainless-steel/7476057.p?>id=1218849840285&skuId=7476057>>.*
 Desk Fans (Design—© Questel). orbit.com [online PDF] 21 pages. Uploaded range 1998-2014 [retrieved on Nov. 18, 2014]. Retrieved from Internet: <<http://sobjprd.questel.fr/export/QPTUJ214/pdf/c04e09e5-9b01-4eaa-8894-4047e8a582f7-170615.pdf>>.*

* cited by examiner

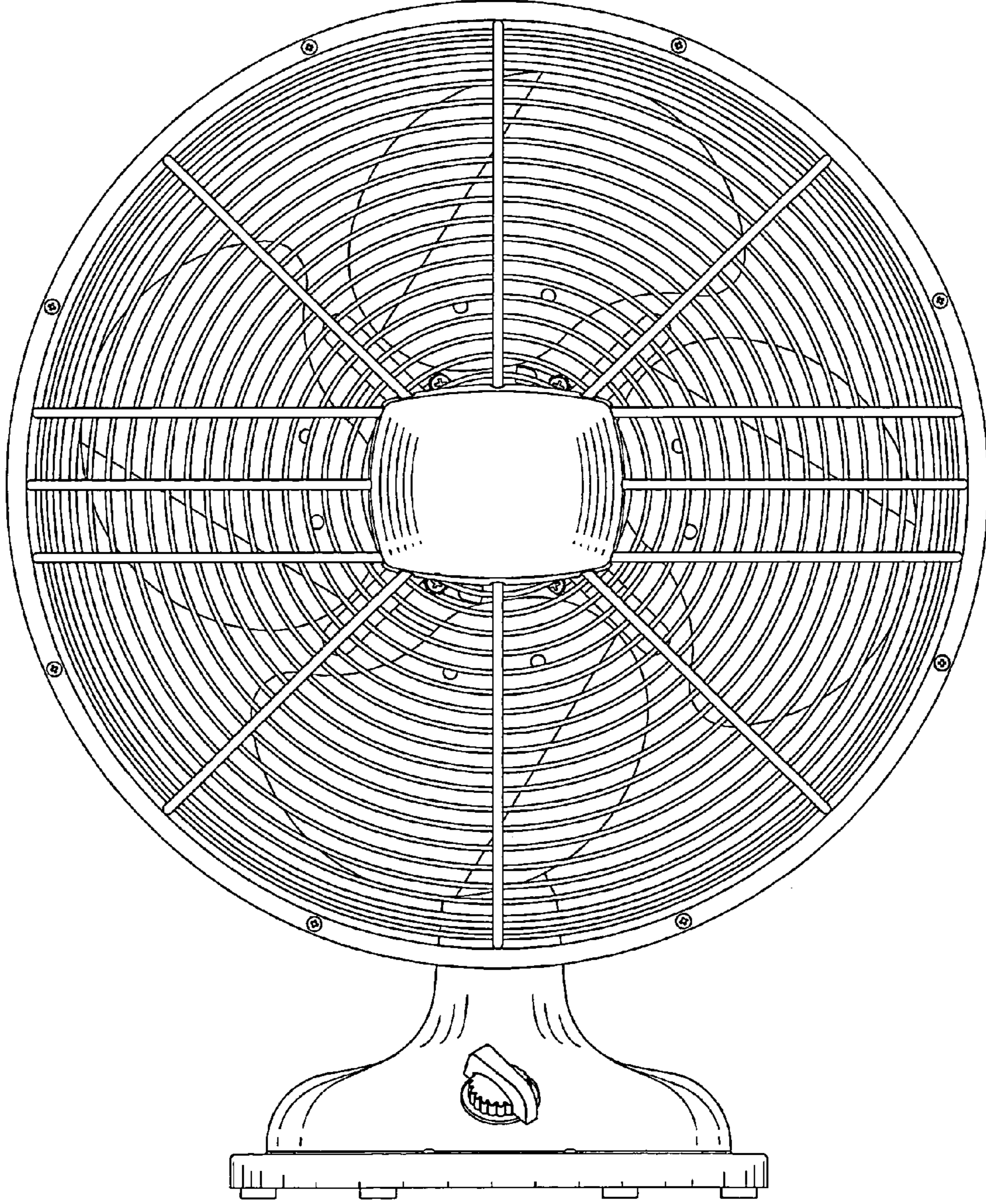


FIG. 1

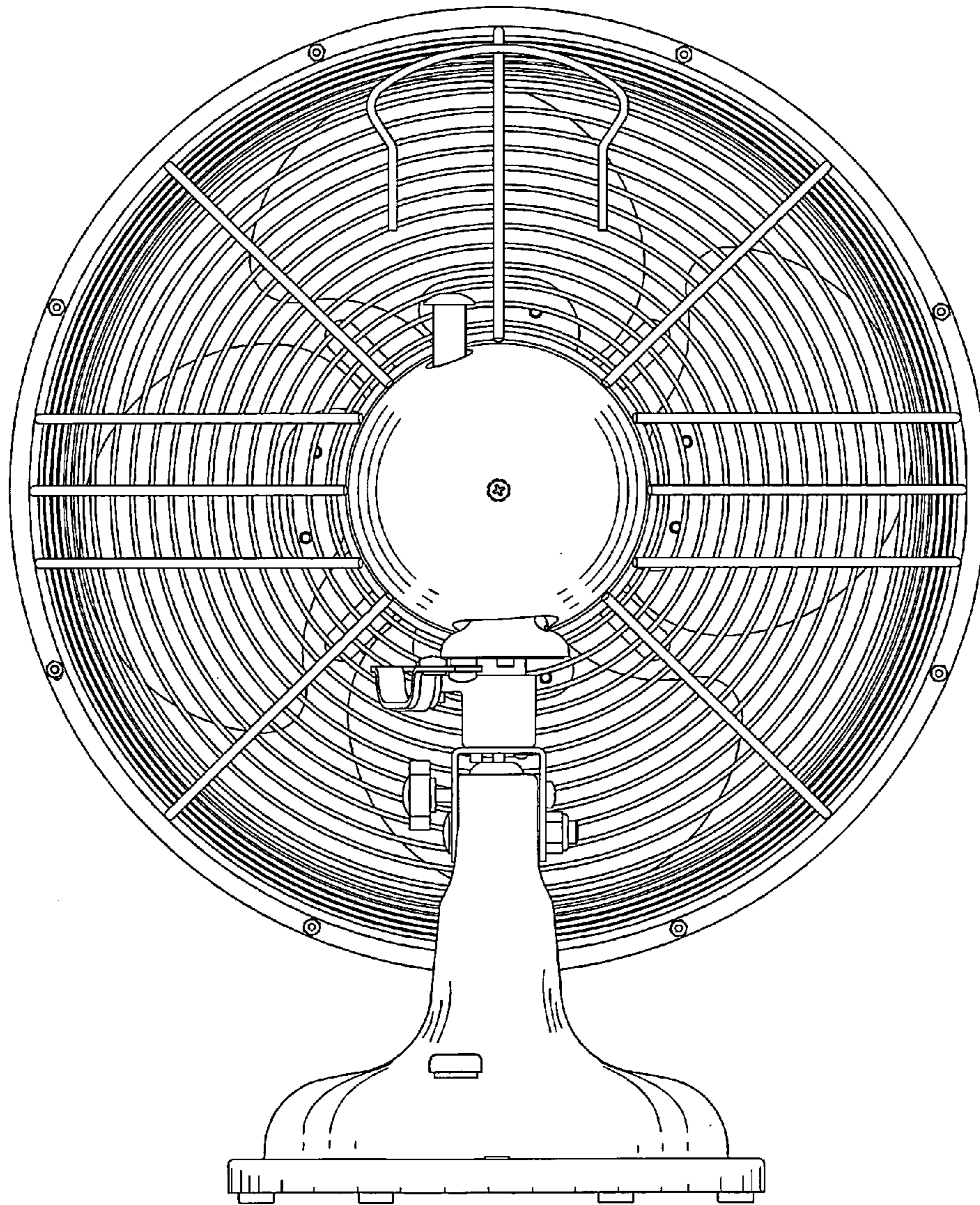


FIG. 2

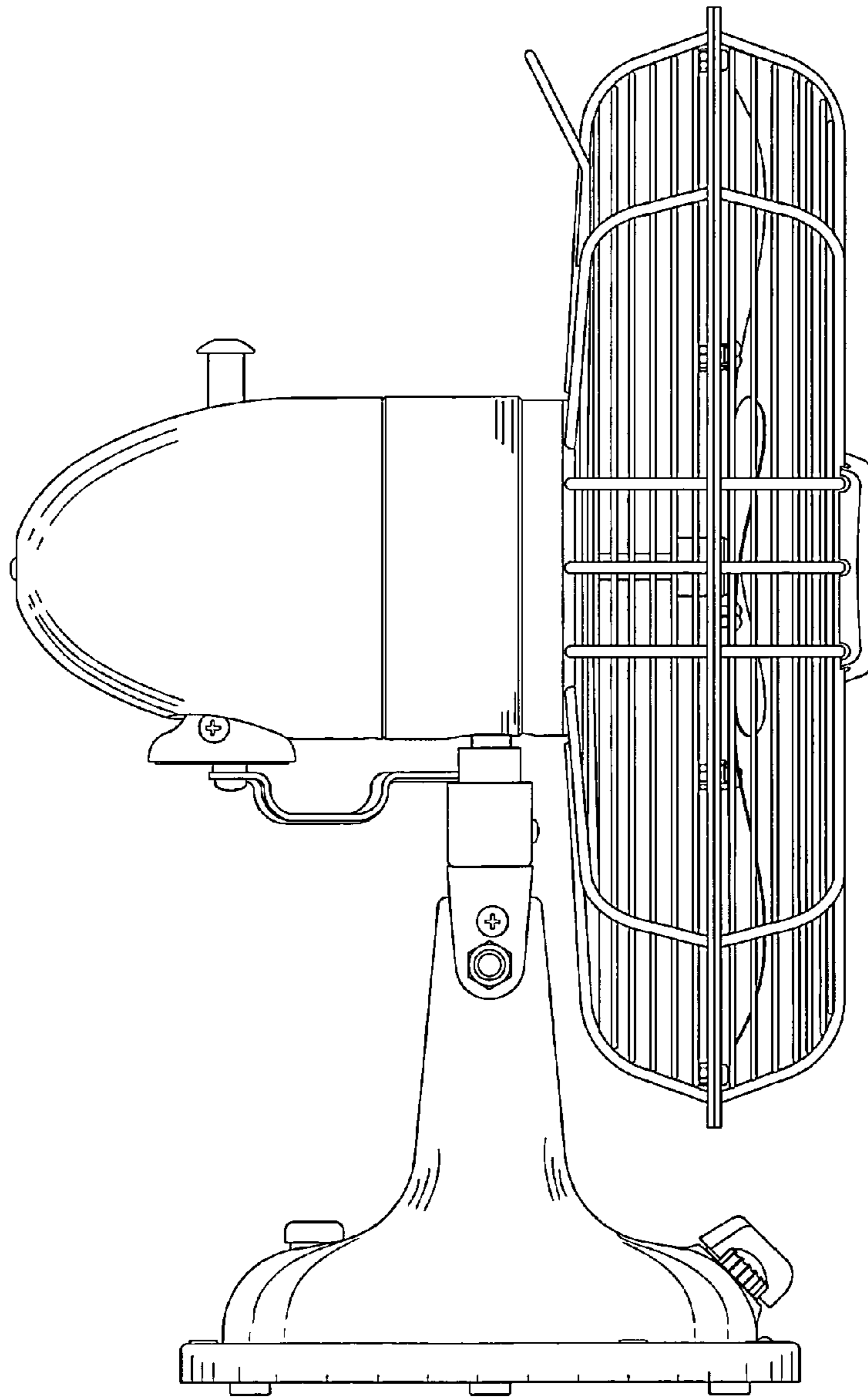


FIG. 3

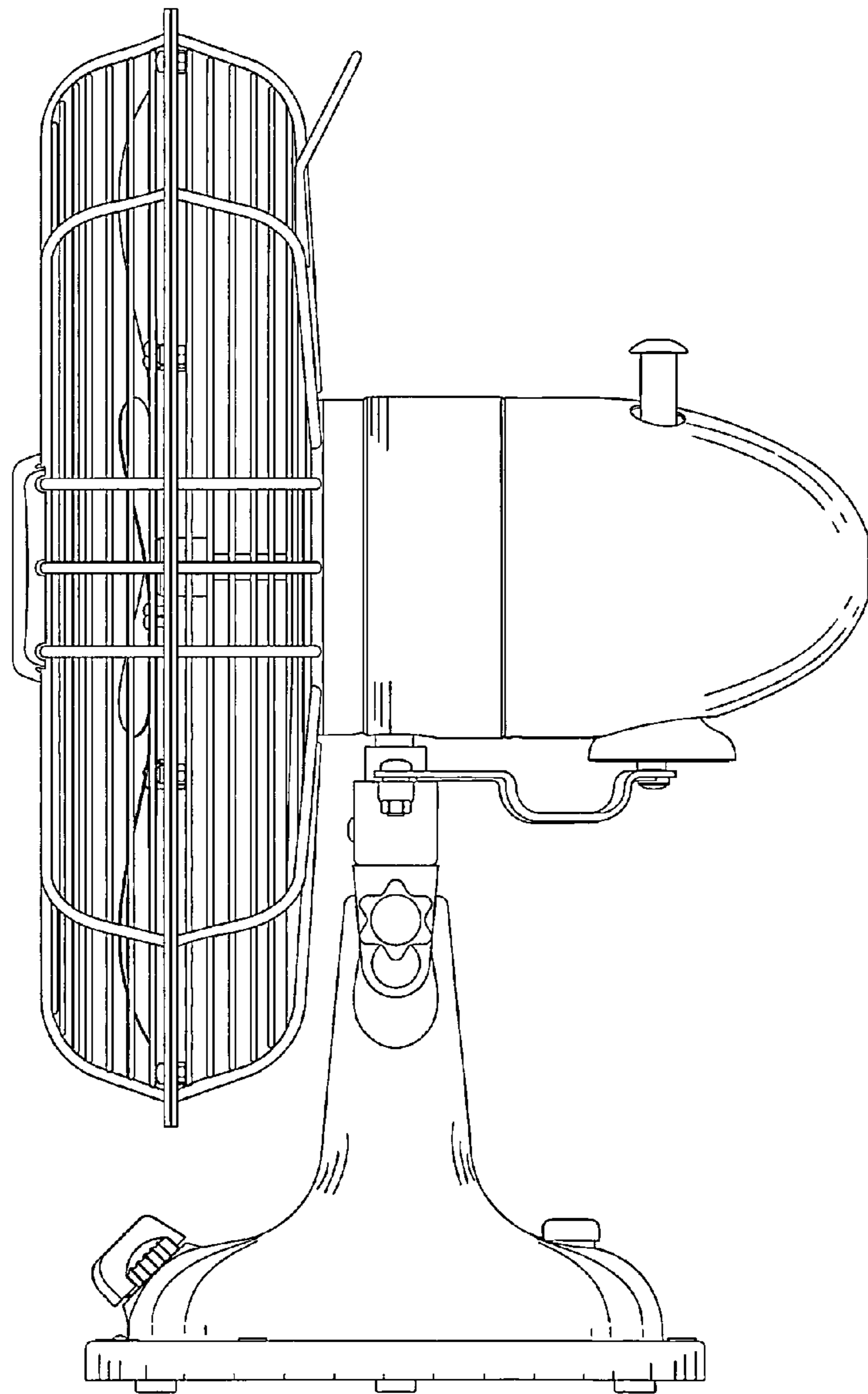


FIG. 4

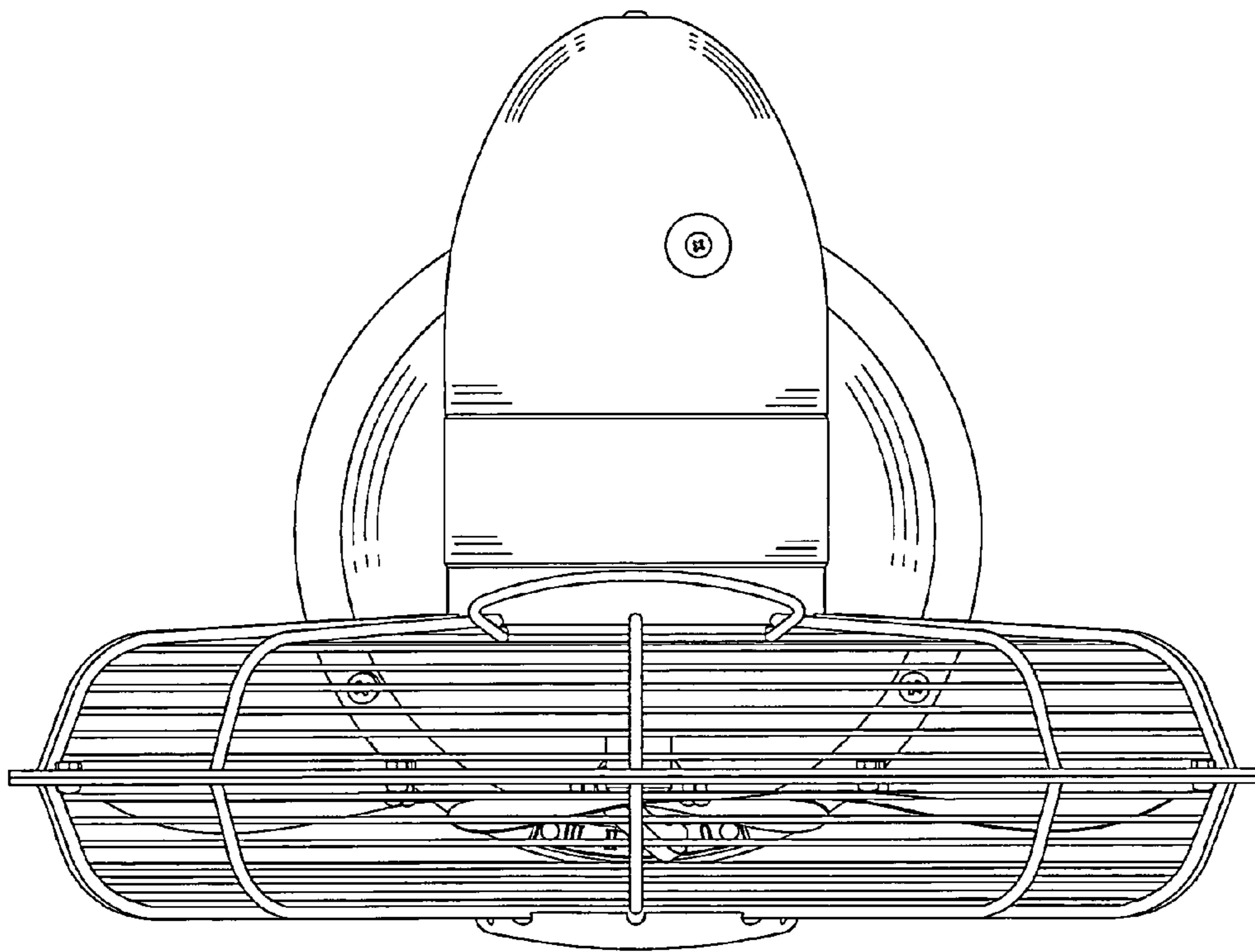


FIG. 5

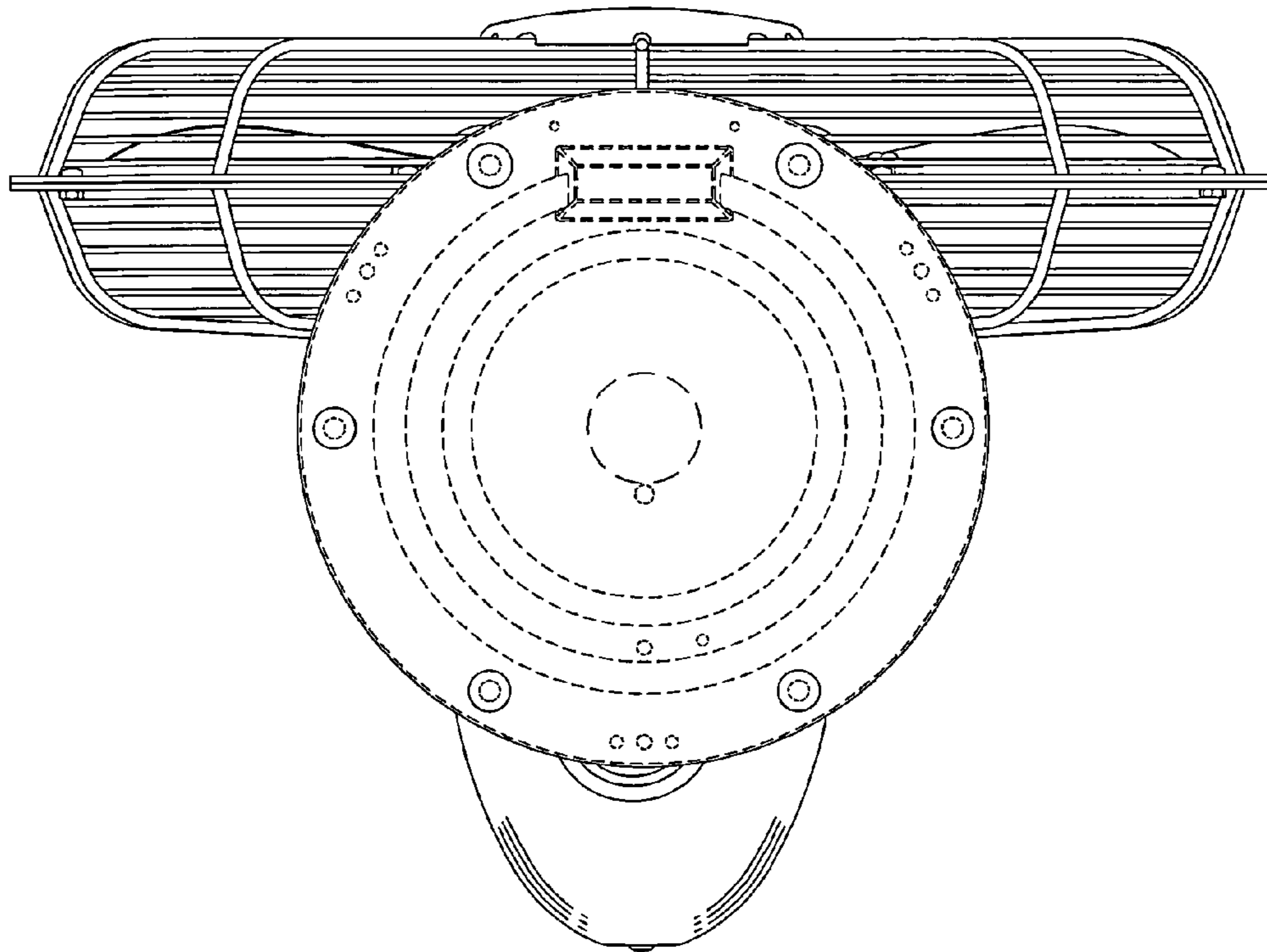


FIG. 6

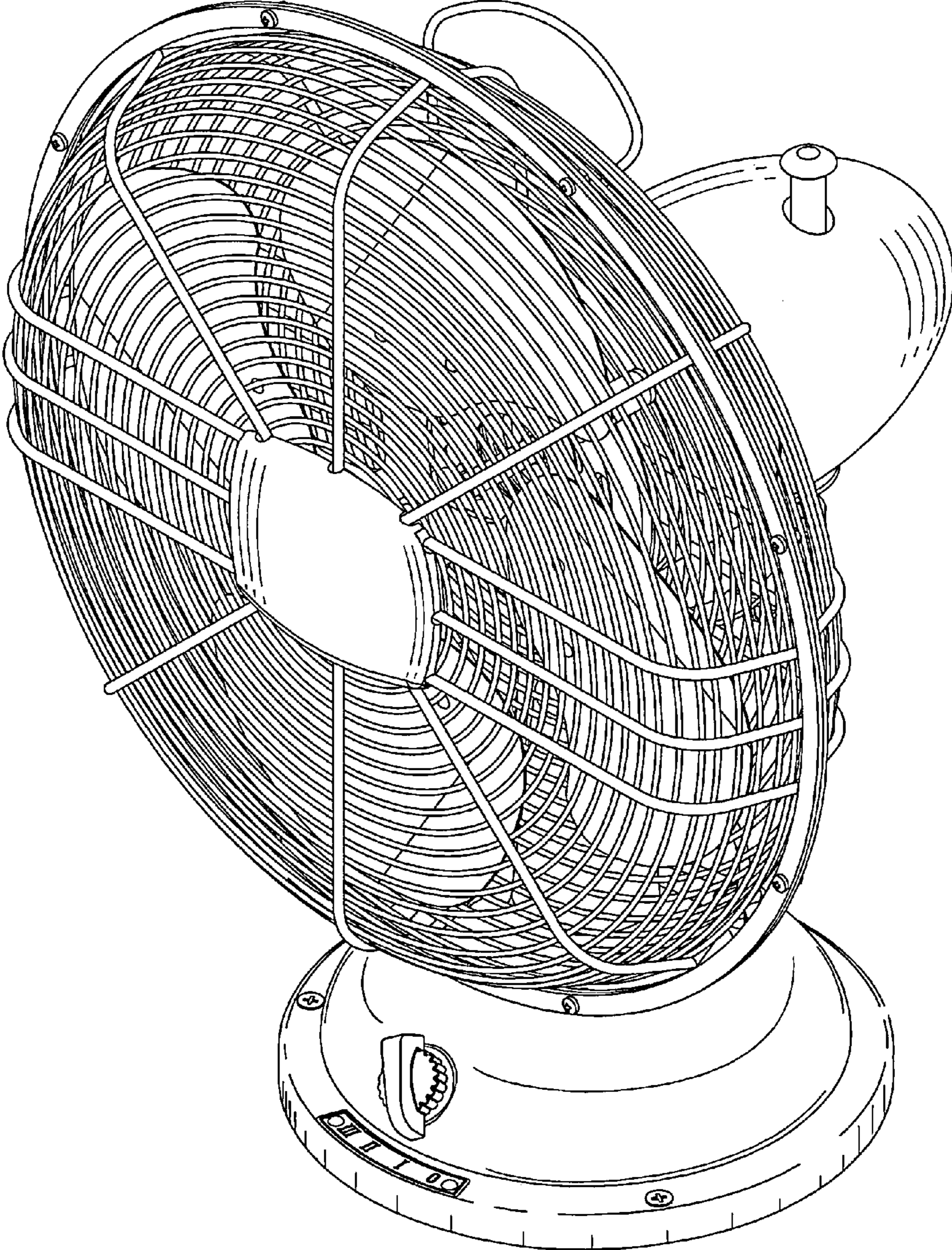


FIG. 7