

US00D737947S

(12) **United States Design Patent**
Dobler et al.

(10) **Patent No.:** **US D737,947 S**

(45) **Date of Patent:** **** Sep. 1, 2015**

- (54) **HOLDER FOR FRAGRANCE GEL**
- (71) Applicants: **Sven Dobler**, Huntington, NY (US);
Peter Galipani, Bay Shore, NY (US);
Jonathan Millen, Northport, NY (US)
- (72) Inventors: **Sven Dobler**, Huntington, NY (US);
Peter Galipani, Bay Shore, NY (US);
Jonathan Millen, Northport, NY (US)
- (73) Assignees: **Orlandi, Inc.**, Farmingdale, NY (US);
Dela. Corp., Farmingdale, NY (US)

| | | | | | | |
|-----------|----|---|---------|------------------|-------|---------|
| 6,631,852 | B1 | * | 10/2003 | O'Leary | | 239/60 |
| D515,681 | S | * | 2/2006 | Muir et al. | | D23/366 |
| D549,812 | S | * | 8/2007 | Fellows et al. | | D23/366 |
| D551,333 | S | * | 9/2007 | Wu | | D23/366 |
| D555,778 | S | * | 11/2007 | Fellows et al. | | D23/366 |
| D565,715 | S | * | 4/2008 | Wu | | D23/366 |
| D585,129 | S | * | 1/2009 | Huang | | D23/366 |
| D591,415 | S | * | 4/2009 | Wu | | D23/366 |
| D593,670 | S | * | 6/2009 | Valentino et al. | | D23/366 |
| D629,881 | S | * | 12/2010 | Valentino et al. | | D23/368 |
| D642,668 | S | * | 8/2011 | Lablaine | | D23/366 |
| D664,246 | S | * | 7/2012 | Irvin et al. | | D23/356 |
| D666,284 | S | * | 8/2012 | Robinson et al. | | D23/368 |
| D676,539 | S | * | 2/2013 | Sanders | | D23/366 |
| D676,540 | S | * | 2/2013 | Sanders | | D23/366 |
| 8,485,454 | B1 | * | 7/2013 | Irvin et al. | | 239/58 |
| D698,430 | S | * | 1/2014 | Dobler et al. | | D23/366 |

(**) Term: **14 Years**

(21) Appl. No.: **29/442,784**

(22) Filed: **May 15, 2013**

(51) **LOC (10) Cl.** **28-99**

(52) **U.S. Cl.**
USPC **D23/368**

(58) **Field of Classification Search**
USPC D23/355-369; D28/5, 6; 261/DIG. 17,
261/DIG. 42, DIG. 65, DIG. 88, DIG. 89;
392/386, 390, 394, 395, 397; 239/34,
239/44, 53, 55, 56, 326; D26/9, 10;
D11/131.1

See application file for complete search history.

(56) **References Cited**

U.S. PATENT DOCUMENTS

| | | | | | | |
|-----------|---|---|---------|--------------|-------|---------|
| 3,784,102 | A | * | 1/1974 | Stults | | 239/36 |
| D367,924 | S | * | 3/1996 | Patel et al. | | D23/369 |
| D373,626 | S | * | 9/1996 | Dente et al. | | D23/366 |
| D375,350 | S | * | 11/1996 | Patel et al. | | D23/366 |
| D441,441 | S | * | 5/2001 | Upson | | D23/366 |

* cited by examiner

Primary Examiner — Sandra Snapp

(74) *Attorney, Agent, or Firm* — Paul M. Denk

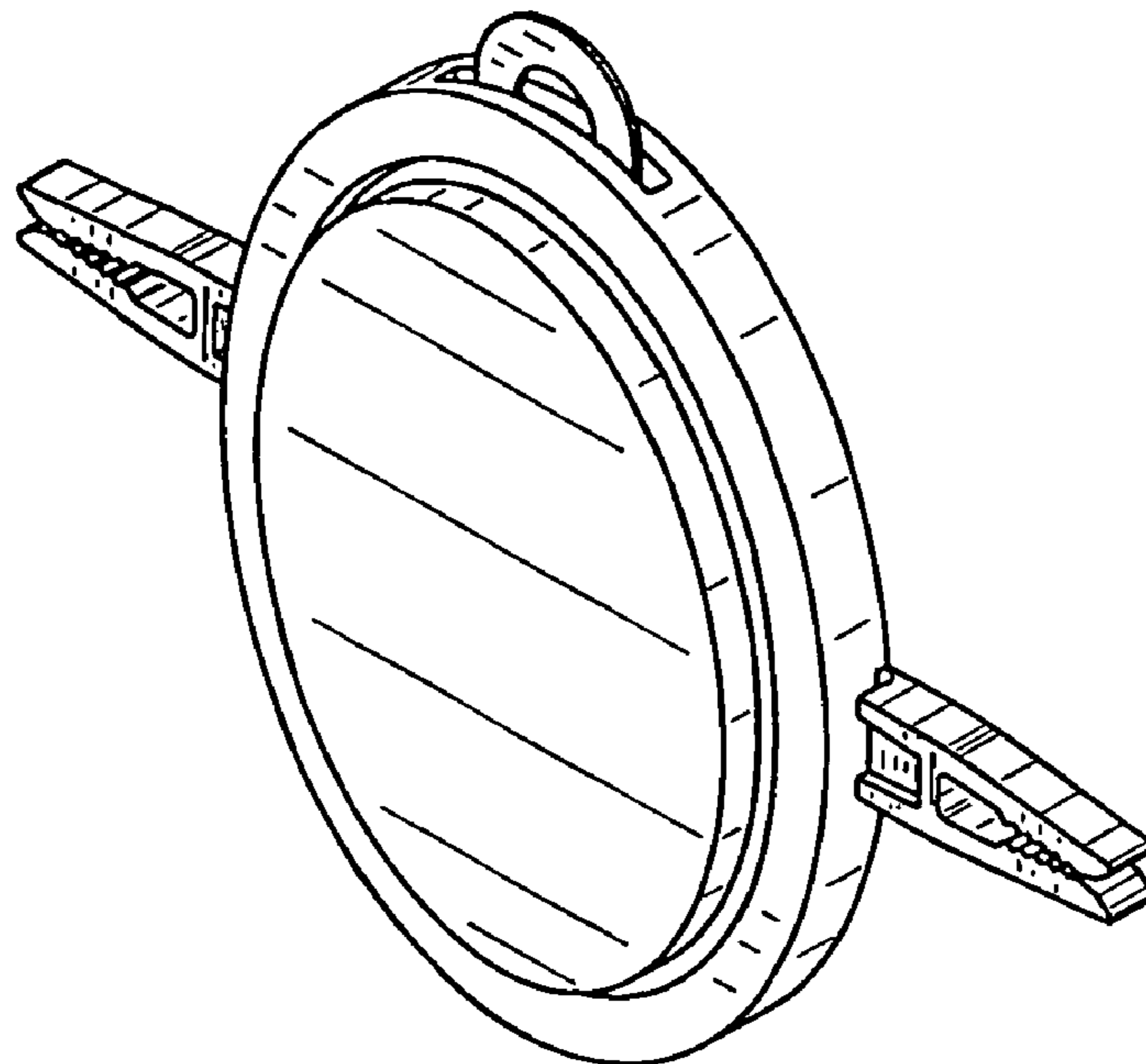
(57) **CLAIM**

The ornamental design for the holder for fragrance gel, as shown and described.

DESCRIPTION

FIG. 1 is a perspective view of the holder for thermally produced vapors from fragrance gel of this invention;
 FIG. 2 is a front view thereof;
 FIG. 3 is a rear view thereof;
 FIG. 4 is a left side view;
 FIG. 5 is a right side view;
 FIG. 6 is a top view;
 FIG. 7 is a bottom view; and,
 FIG. 8 is a perspective view of the holder with its retaining tabs bent rearwardly.

1 Claim, 2 Drawing Sheets



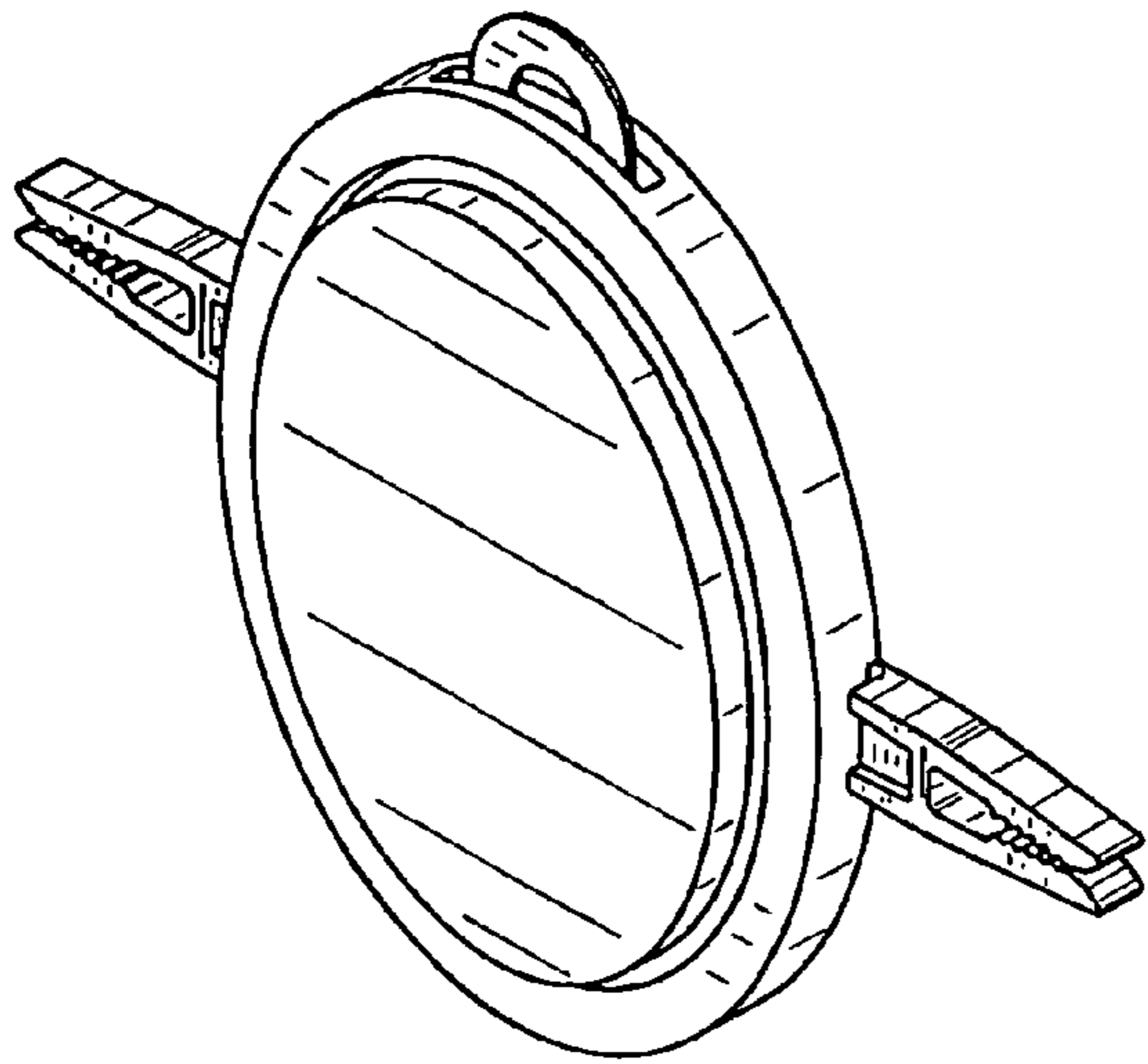


FIG. 1

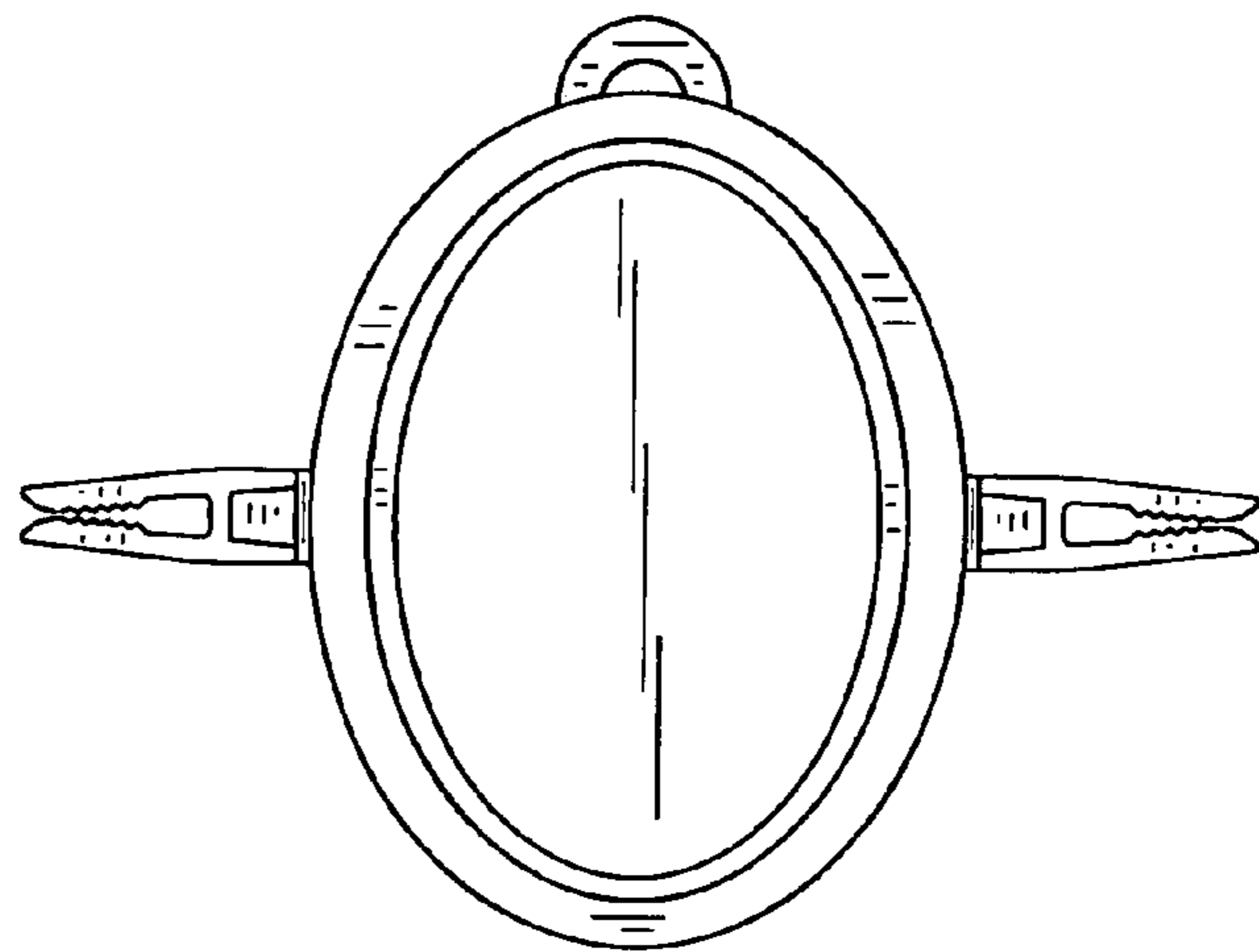


FIG. 2

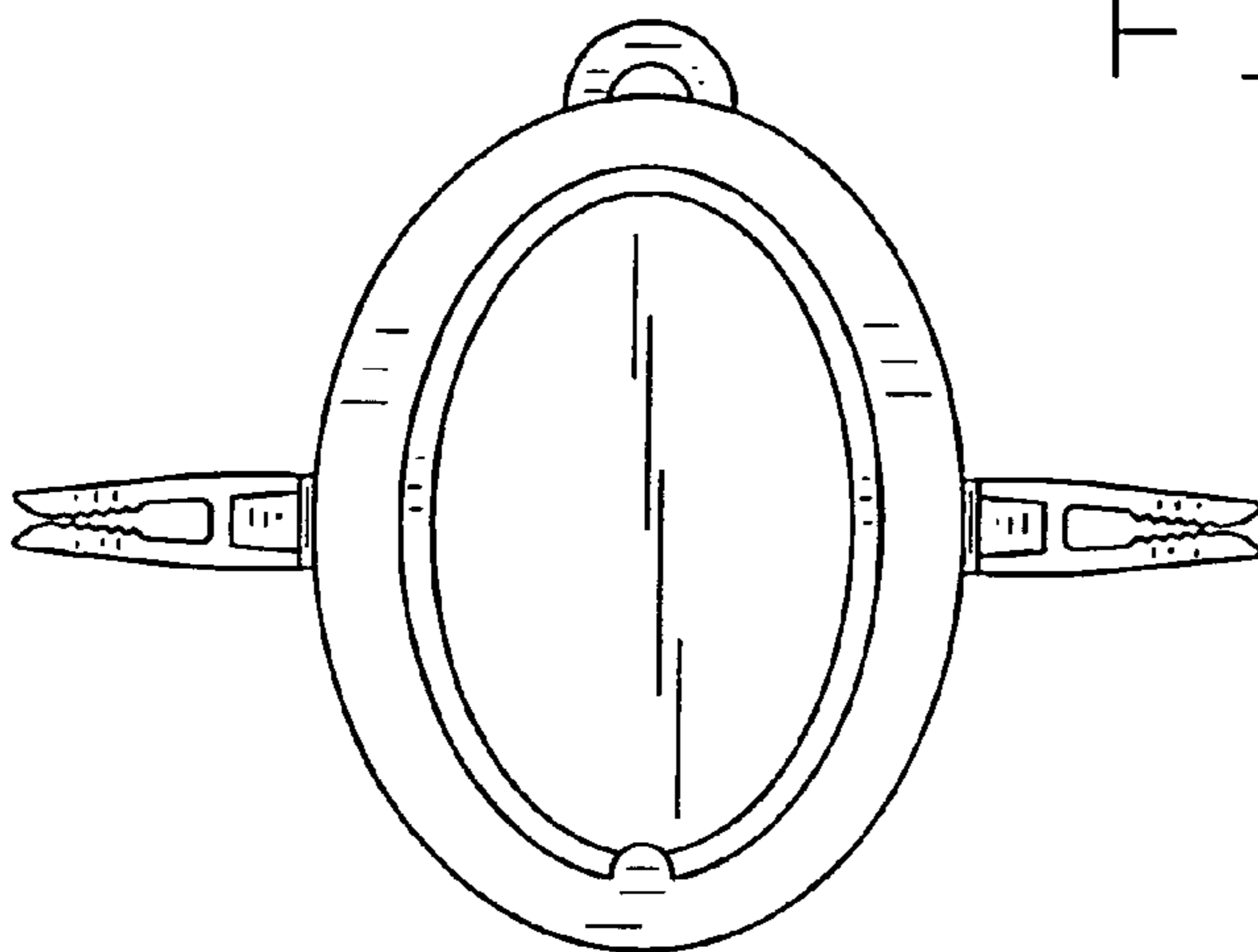


FIG. 3



FIG. 4



FIG. 5

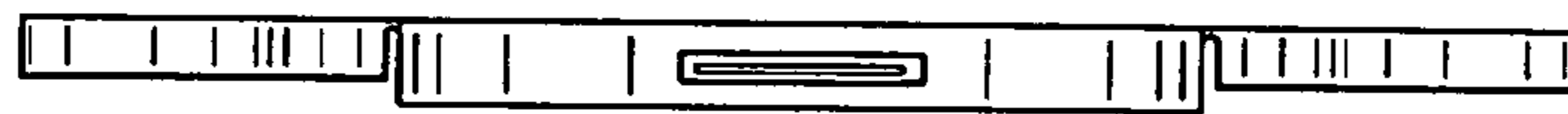


FIG. 6



FIG. 7

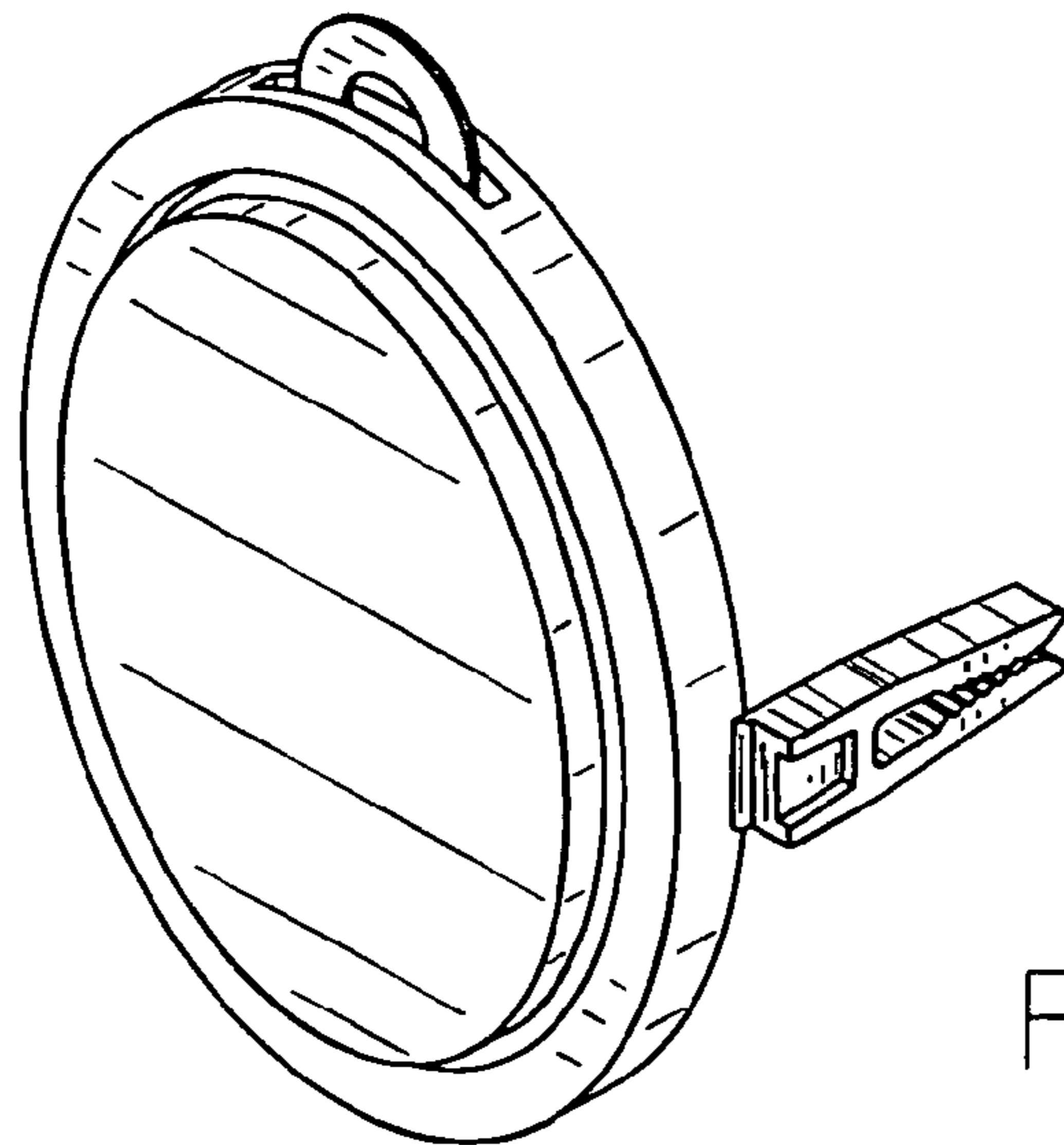


FIG. 8