

US00D737944S

(12) **United States Design Patent**
Shore et al.

(10) **Patent No.:** **US D737,944 S**
(45) **Date of Patent:** **** Sep. 1, 2015**

(54) **AIR TREATMENT DEVICE**

(56) **References Cited**

(75) Inventors: **Angela Nixon Shore**, State Road, NC (US); **Annie Pierce Haynes**, Troutman, NC (US); **Carolyn Morgan Stafford**, Cornelius, NC (US); **Jay Kinsley Fording**, Huntersville, NC (US); **Paul Richard Manley**, Huntersville, NC (US); **Michael Anthony Lorenz**, Gahanna, OH (US); **Ludwin Miguel Mora**, Worthington, OH (US); **Hun Jung Choi**, Kyounggido Koyangsi (KR); **Young Jo Kim**, Seoul (KR)

U.S. PATENT DOCUMENTS

D360,028 S	7/1995	Matsuda
6,004,367 A	12/1999	Stopyra et al.
6,328,791 B1	12/2001	Pillion et al.
6,391,102 B1	5/2002	Bodden et al.
6,447,587 B1	9/2002	Pillion et al.
6,494,940 B1	12/2002	Hak
6,497,840 B1	12/2002	Palestro et al.
6,610,118 B2	8/2003	Bryce et al.
6,616,722 B1	9/2003	Cartellone
6,645,277 B1	11/2003	Franz et al.
6,660,070 B2	12/2003	Chung et al.
6,712,889 B2	3/2004	Pillion et al.
D497,984 S	11/2004	Tokunaga
6,869,468 B2	3/2005	Gibson

(Continued)

Primary Examiner — David Muller

(74) *Attorney, Agent, or Firm* — Moore & Van Allen PLLC; W. Kevin Ransom

(73) Assignee: **Lowe's Companies, Inc.**, Mooresville, NC (US)

(**) Term: **14 Years**

(21) Appl. No.: **29/416,815**

(22) Filed: **Mar. 27, 2012**

(57) **CLAIM**

The ornamental design for an air treatment device, as shown and described.

DESCRIPTION

Related U.S. Application Data

(62) Division of application No. 29/345,212, filed on Oct. 12, 2009, now Pat. No. Des. 662,576.

(51) **LOC (10) Cl.** **23-04**

(52) **U.S. Cl.**
USPC **D23/364**

(58) **Field of Classification Search**

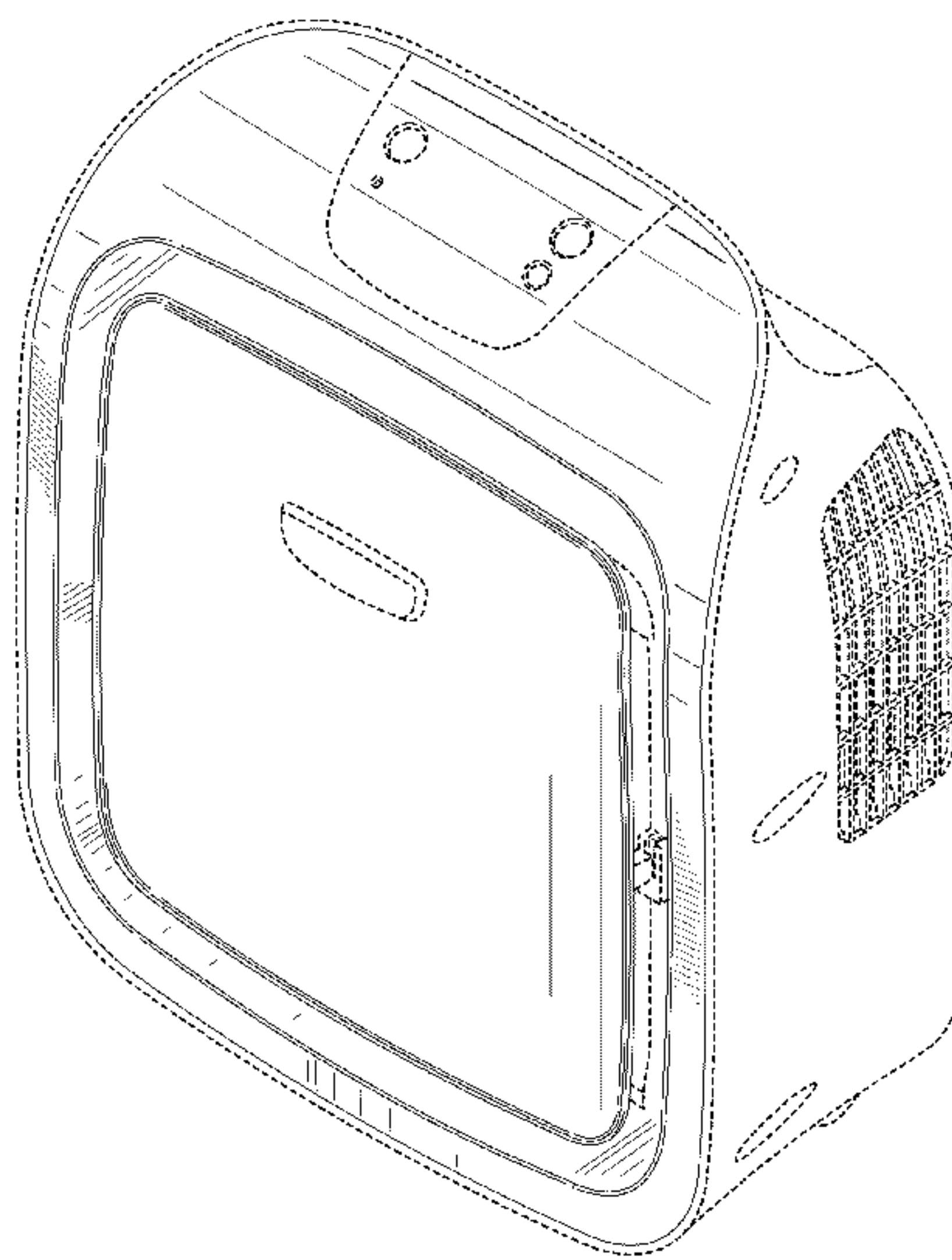
USPC D23/364, 355, 356, 359, 360, 366, 369, D23/332, 333, 335, 342, 351; 422/120, 122; 55/356, 473, 504; 96/97; D14/188, D14/170, 172; 261/DIG. 17, DIG. 65, 261/DIG. 88, DIG. 31; D18/34.6

See application file for complete search history.

FIG. 1 is a front, top, and right perspective view of an air treatment device;
FIG. 2 is a front elevational view of the air treatment device;
FIG. 3 is a rear elevational view of the air treatment device;
FIG. 4 is a right side elevational view of the air treatment device;
FIG. 5 is a left side elevational view of the air treatment device;
FIG. 6 is a top plan view of the air treatment device; and,
FIG. 7 is a bottom plan view of air treatment device.

The features shown in broken lines depict environmental subject matter only and form no part of the claimed design. In addition, the surface shading illustrated in the drawings is provided merely to highlight the contour of the design; it is not intended to be illustrative of texture or gloss.

1 Claim, 7 Drawing Sheets



(56)

References Cited

U.S. PATENT DOCUMENTS

6,919,809 B2	7/2005	Blunn et al.	
6,984,259 B2	1/2006	Hurst	
7,132,003 B2	11/2006	Hirayama et al.	
D539,403 S *	3/2007	Pino	D23/351
7,241,326 B2	7/2007	Han et al.	
7,258,728 B2	8/2007	Lim et al.	
D562,953 S *	2/2008	Lewis	D23/341
D564,645 S *	3/2008	Shapiro	D23/317
D569,957 S *	5/2008	Shapiro	D23/317
D580,029 S *	11/2008	Lewis	D23/335
D580,030 S *	11/2008	Shapiro	D23/342
D592,740 S *	5/2009	Catrino	D23/332
7,537,649 B2	5/2009	Pippel et al.	
D594,948 S *	6/2009	Lewis	D23/314
D603,497 S *	11/2009	Choi	D23/364
D604,817 S *	11/2009	Lee	D23/332
D605,272 S *	12/2009	Chun et al.	D23/359
D605,745 S *	12/2009	Chun et al.	D23/359
D607,551 S *	1/2010	Catrino	D23/314
2005/0031448 A1	2/2005	Lasko et al.	
2006/0199515 A1	9/2006	Lasko et al.	
2007/0004328 A1	1/2007	Balzer	
2007/0209701 A1	9/2007	Lasko et al.	
2007/0221061 A1	9/2007	Steiner	
2008/0134899 A1	6/2008	Subbarao et al.	
2008/0188173 A1	8/2008	Chen et al.	
2008/0216657 A1	9/2008	Brady et al.	

* cited by examiner

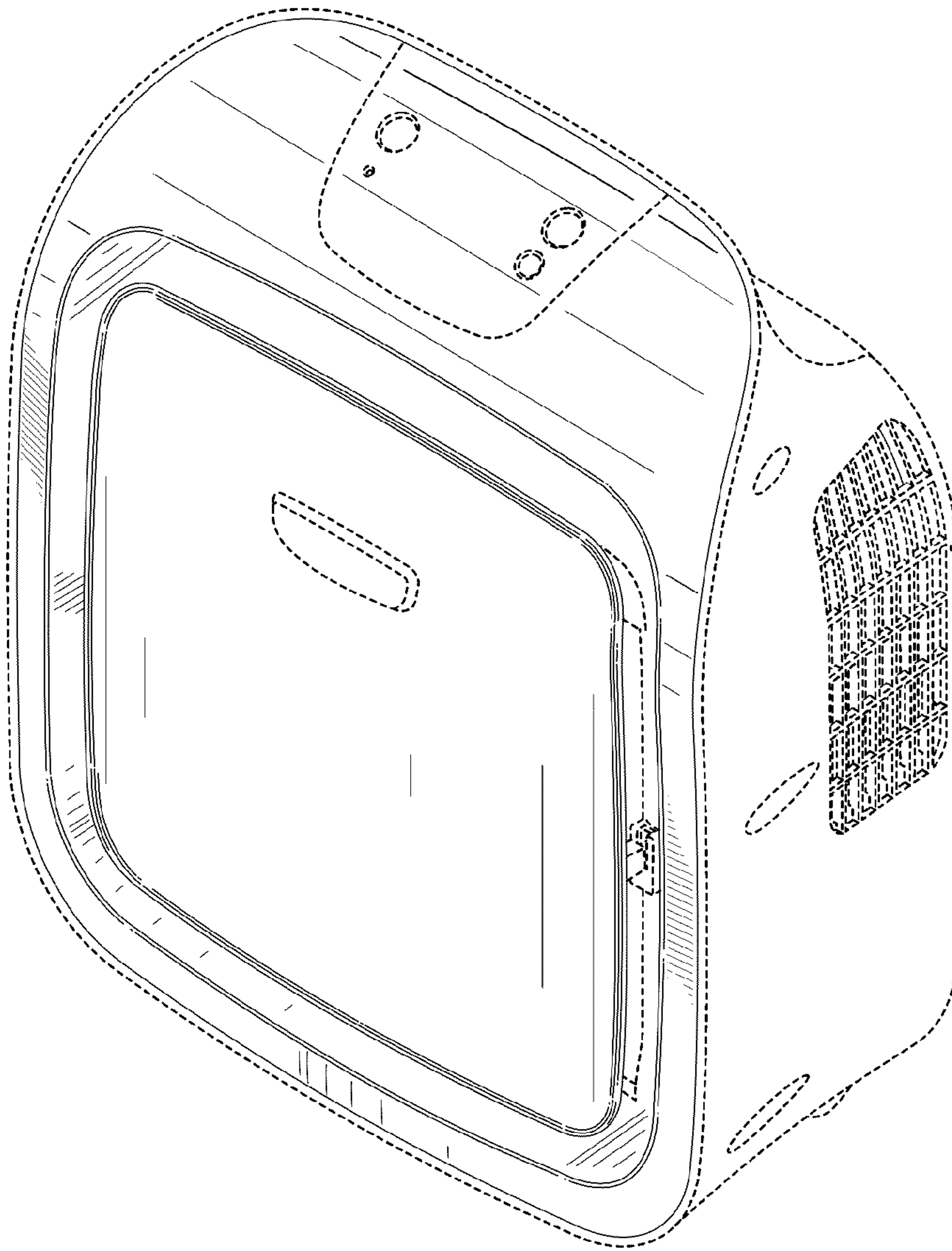


FIG. 1

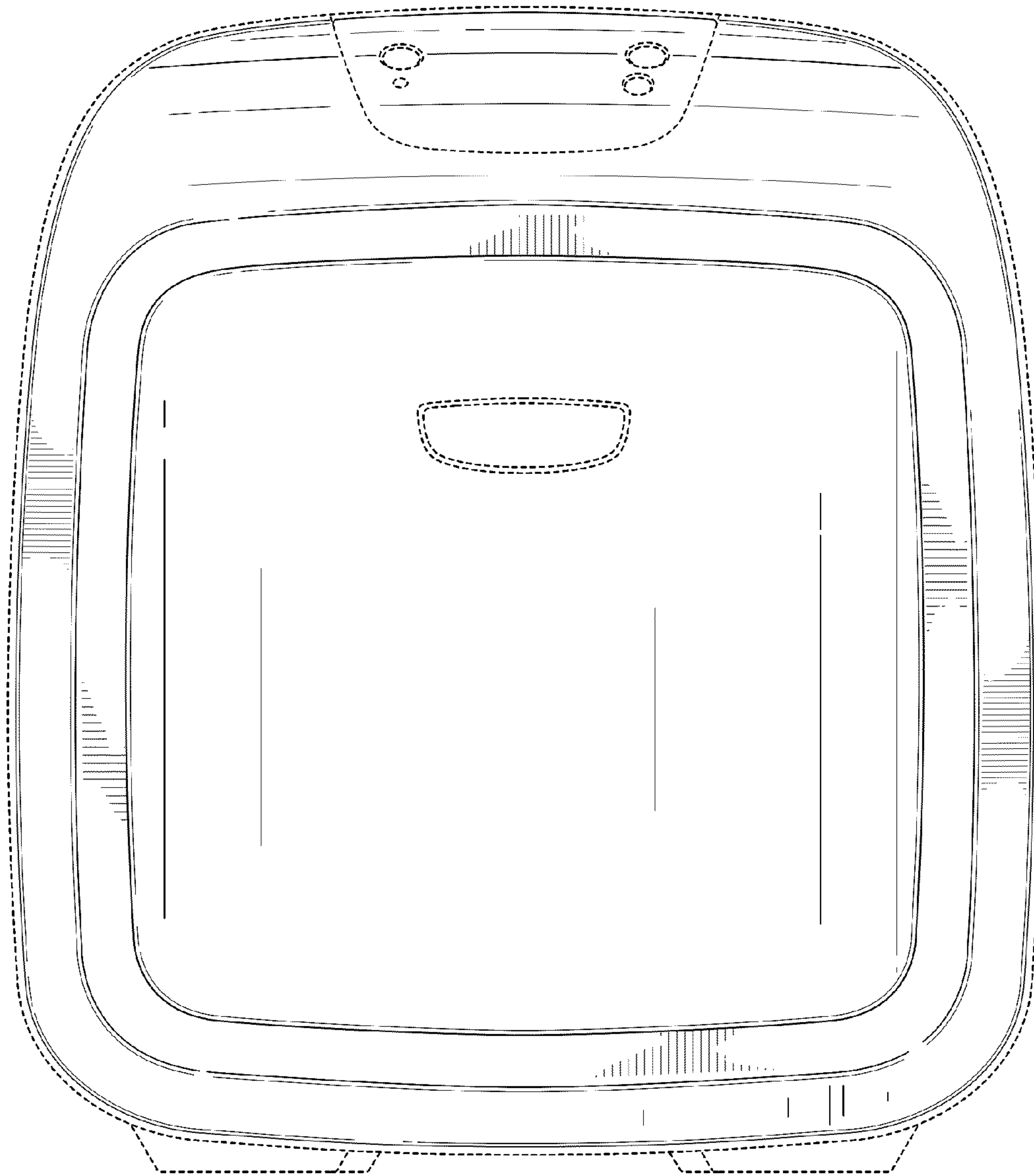


FIG. 2

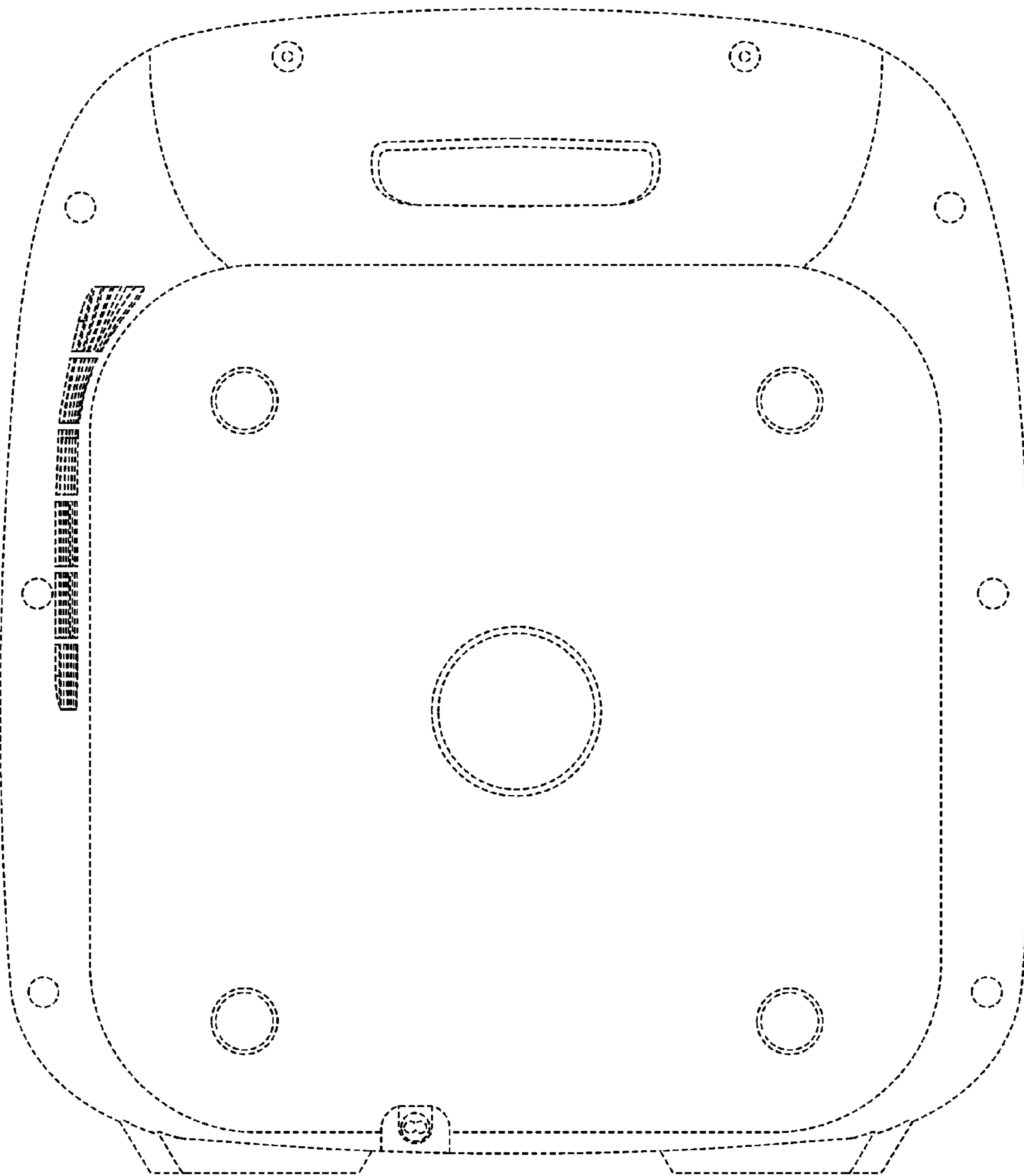


FIG. 3

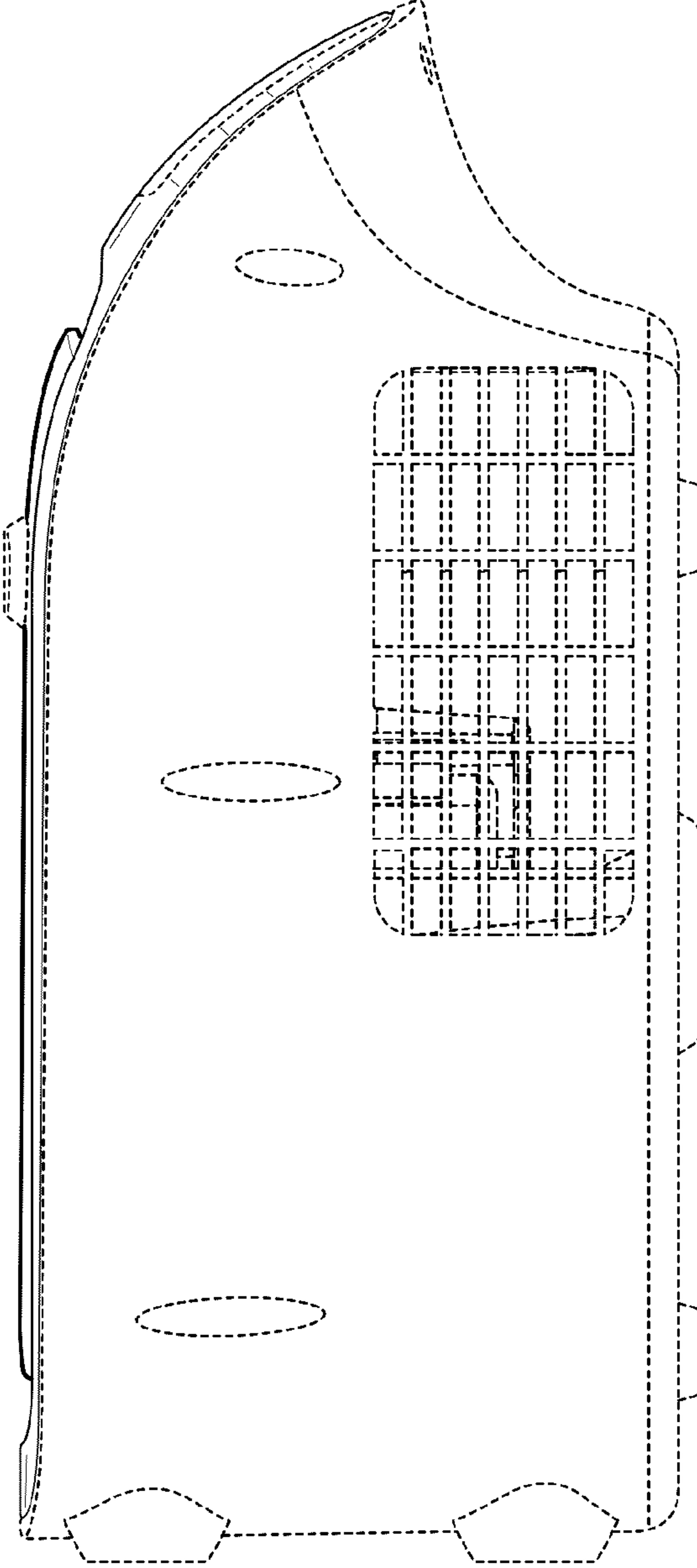


FIG. 4

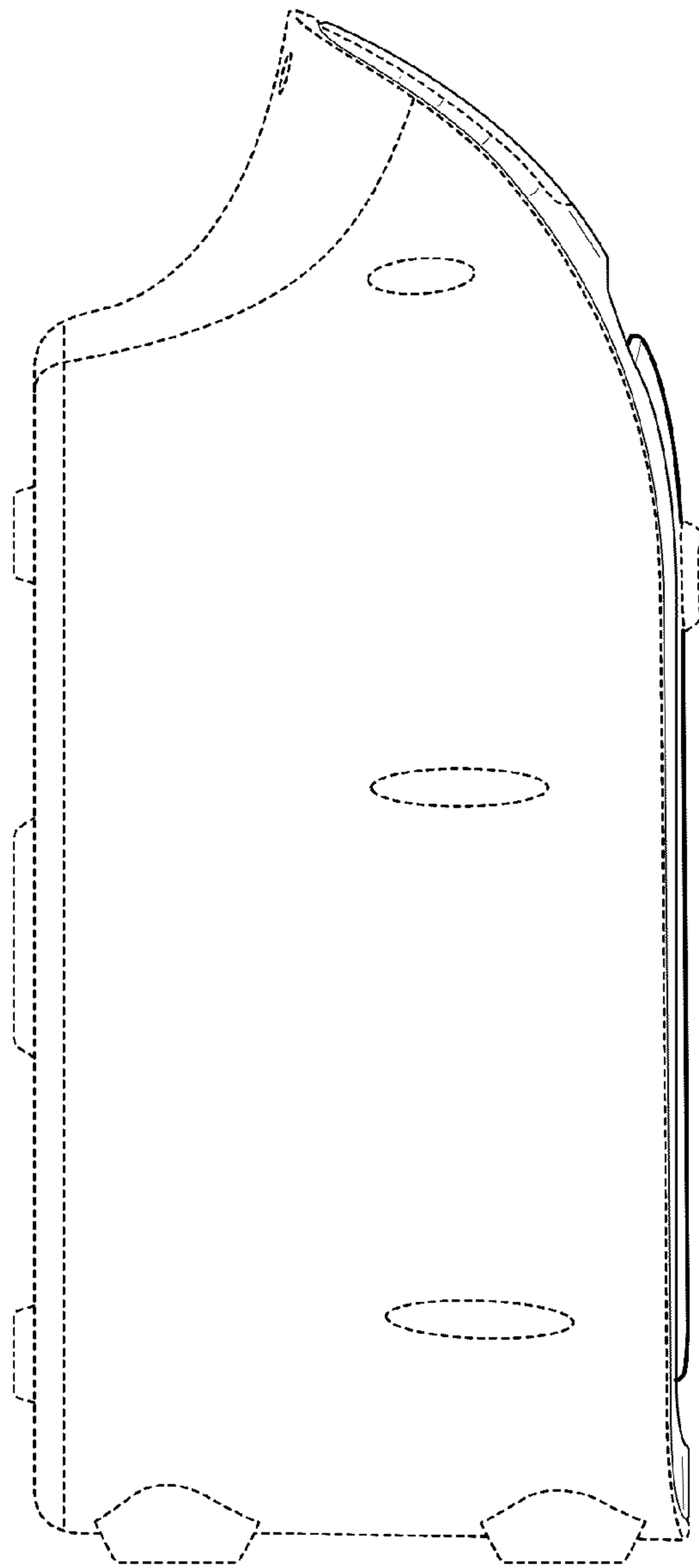


FIG. 5

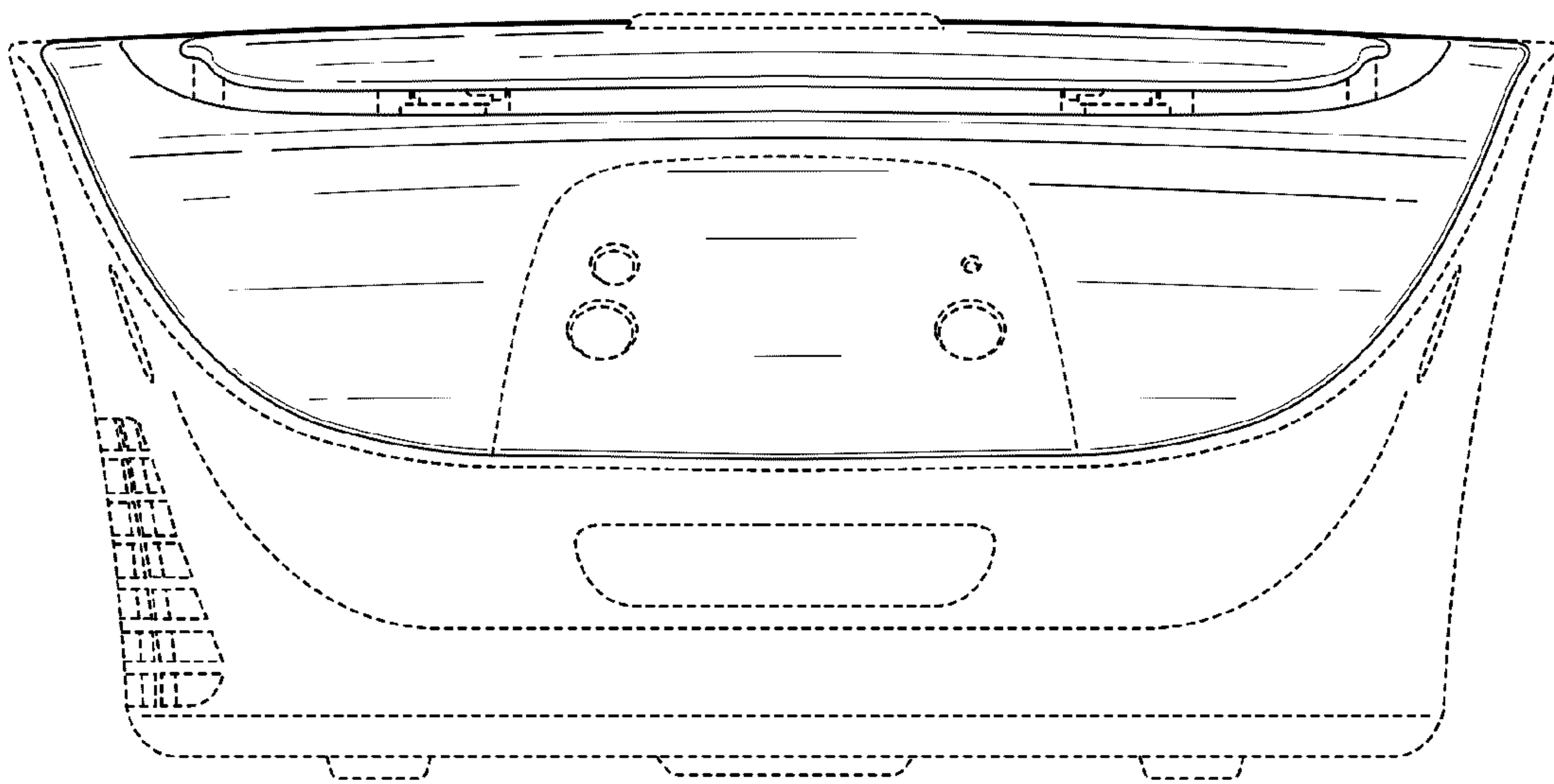


FIG. 6

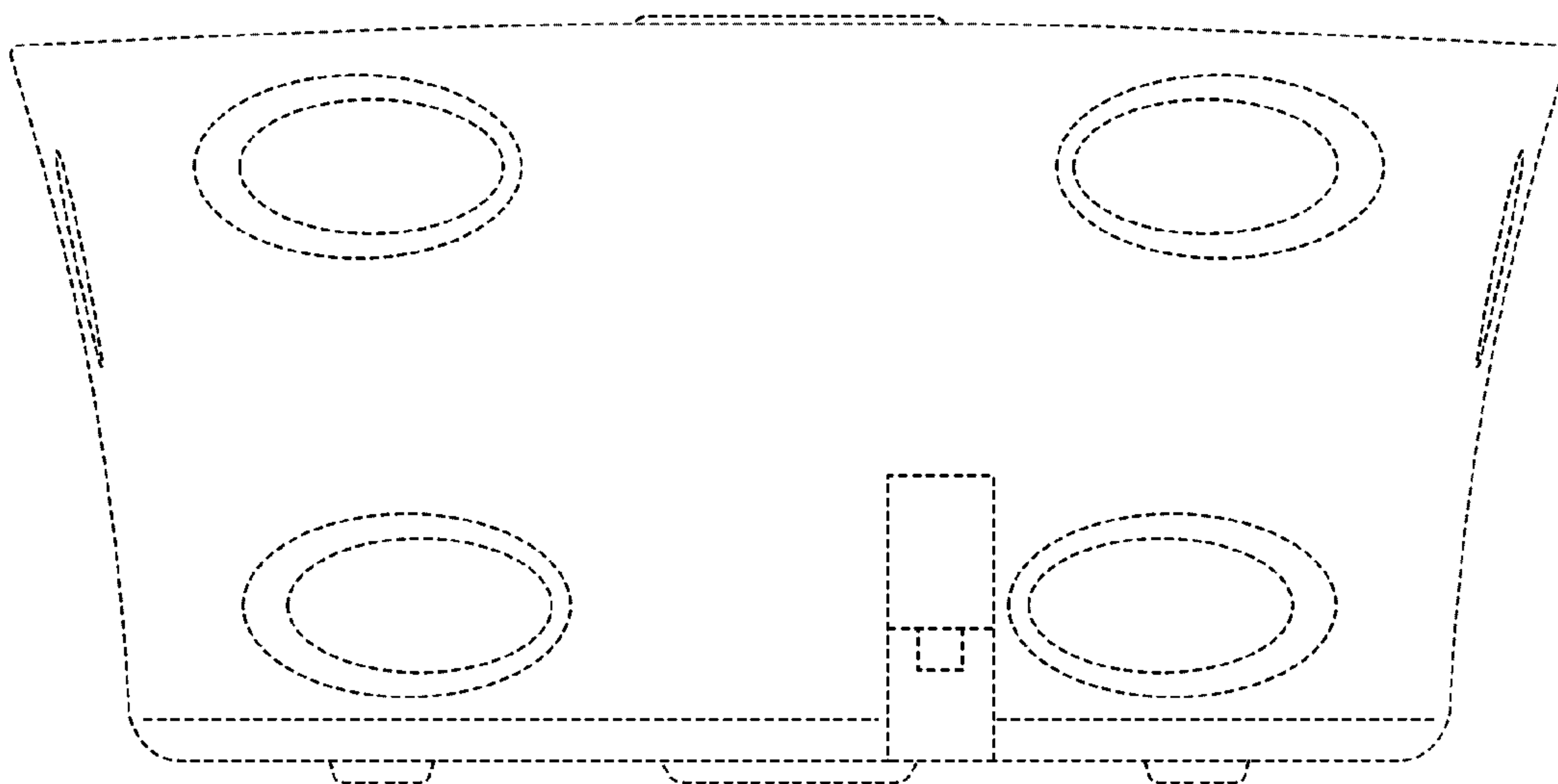


FIG. 7