



US00D737943S

(12) **United States Design Patent**
Lee et al.

(10) **Patent No.:** **US D737,943 S**
(45) **Date of Patent:** **** Sep. 1, 2015**

(54) **SINK WITH REFRIGERATOR**

(56) **References Cited**

(71) Applicant: **SAMSUNG ELECTRONICS CO., LTD.**, Suwon-si (KR)
(72) Inventors: **YangJic Lee**, Gwanchun-si (KR); **Jongchan Kwon**, Yongin-si (KR); **Ji Hyun Moon**, Gwagmyung-si (KR); **Jinie Ryu**, Seoul (KR); **Sangmin Hyun**, Seoul (KR)
(73) Assignee: **SAMSUNG ELECTRONICS CO., LTD.** (KR)

U.S. PATENT DOCUMENTS

D184,887 S *	4/1959	Ogg	D23/286
D195,947 S *	8/1963	Hannon, Jr.	D24/234
D235,645 S *	7/1975	Peters, Jr.	D23/272
4,759,193 A *	7/1988	Dehring	62/441
4,802,340 A *	2/1989	Johnson	62/229
D357,062 S *	4/1995	Schreiner	D23/272
6,000,236 A *	12/1999	Haasis	62/440
D654,992 S *	2/2012	Bucher	D23/286
D660,324 S *	5/2012	Okuda	D15/85

* cited by examiner

Primary Examiner — Robert Delehanty
(74) *Attorney, Agent, or Firm* — Cantor Colburn LLP

(**) Term: **14 Years**
(21) Appl. No.: **29/465,250**
(22) Filed: **Aug. 26, 2013**

(57) **CLAIM**
We claim, the ornamental design for a sink with a refrigerator, as shown and described.

(30) **Foreign Application Priority Data**
Feb. 25, 2013 (KR) 30-2013-0009834
(51) **LOC (10) Cl.** **23-02**
(52) **U.S. Cl.**
USPC **D23/272; D23/286**
(58) **Field of Classification Search**
USPC D23/271–272, 284, 287, 293.1, 303, D23/308, 255; 4/619, 630, 631, 638, 661; D15/346, 81, 85, 88, 91; 312/140.1, 312/140.2, 140.3; 62/440–445; D24/234
See application file for complete search history.

DESCRIPTION

FIG. 1 is the front perspective view of a sink with a refrigerator showing our new design;
FIG. 2 is a front view thereof;
FIG. 3 is a rear view thereof;
FIG. 4 is a left-side view thereof;
FIG. 5 is a right-side view thereof;
FIG. 6 is a top plan view thereof; and,
FIG. 7 is a bottom plan view thereof.

1 Claim, 7 Drawing Sheets

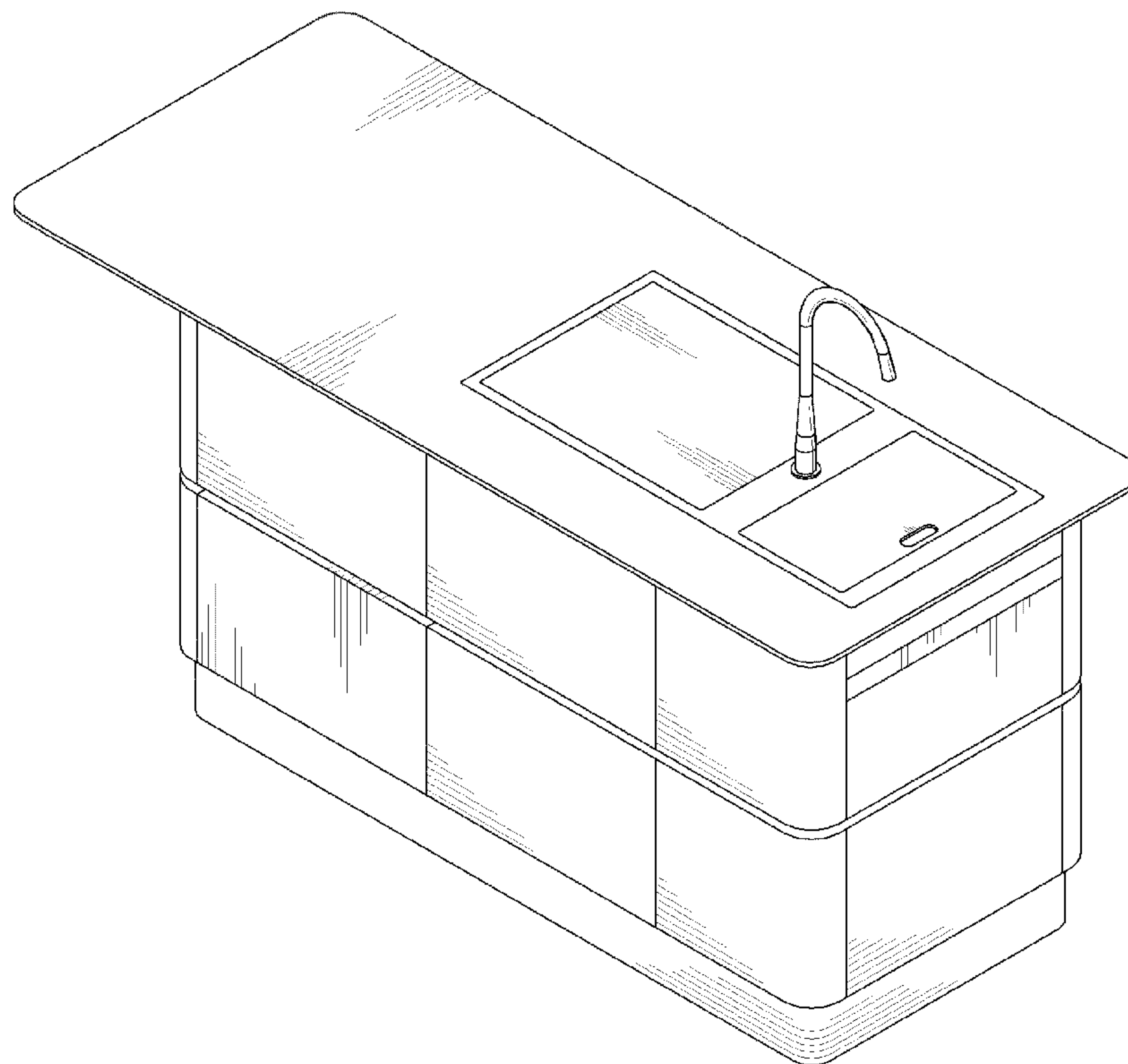


FIG. 1

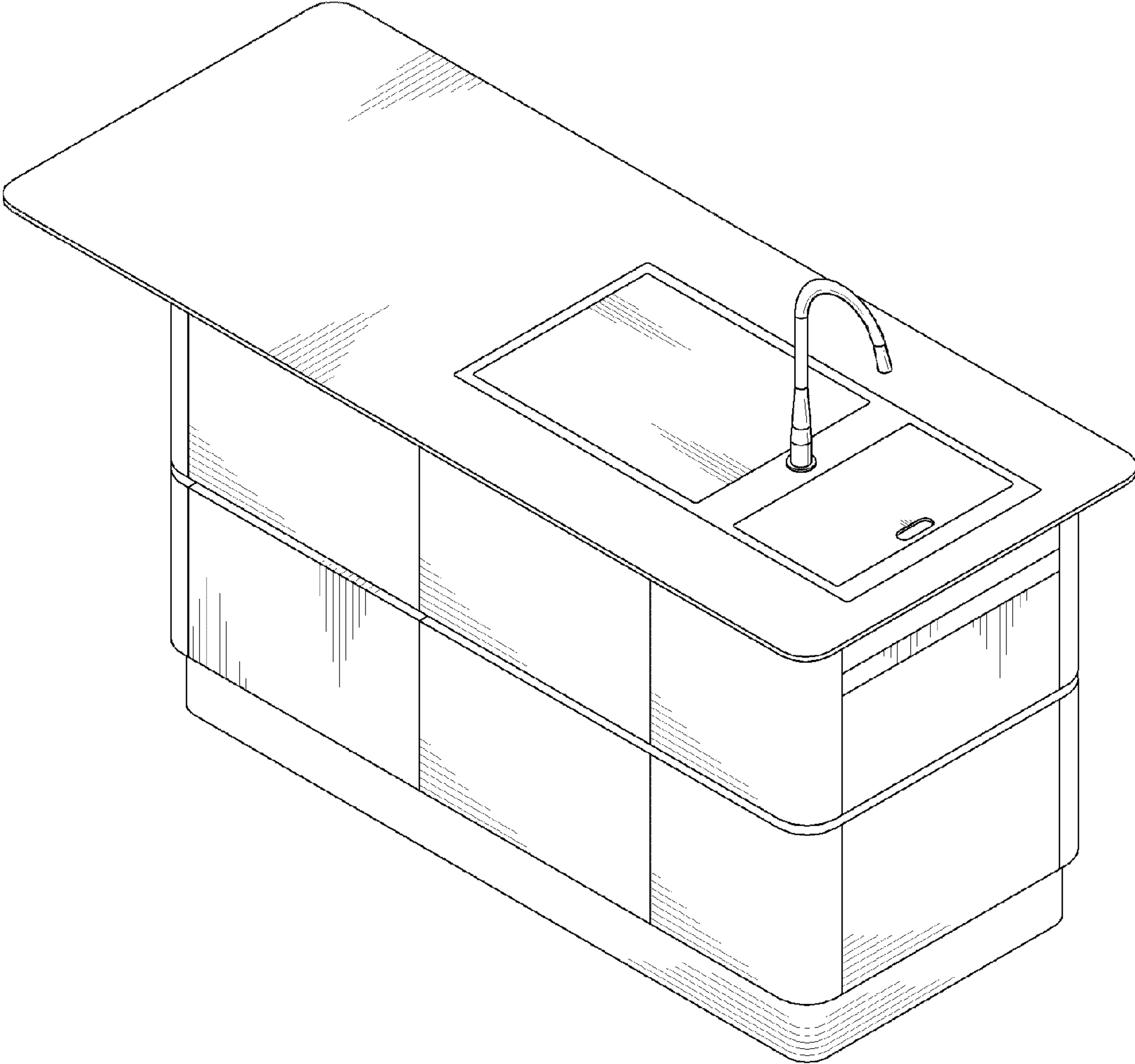


FIG. 2

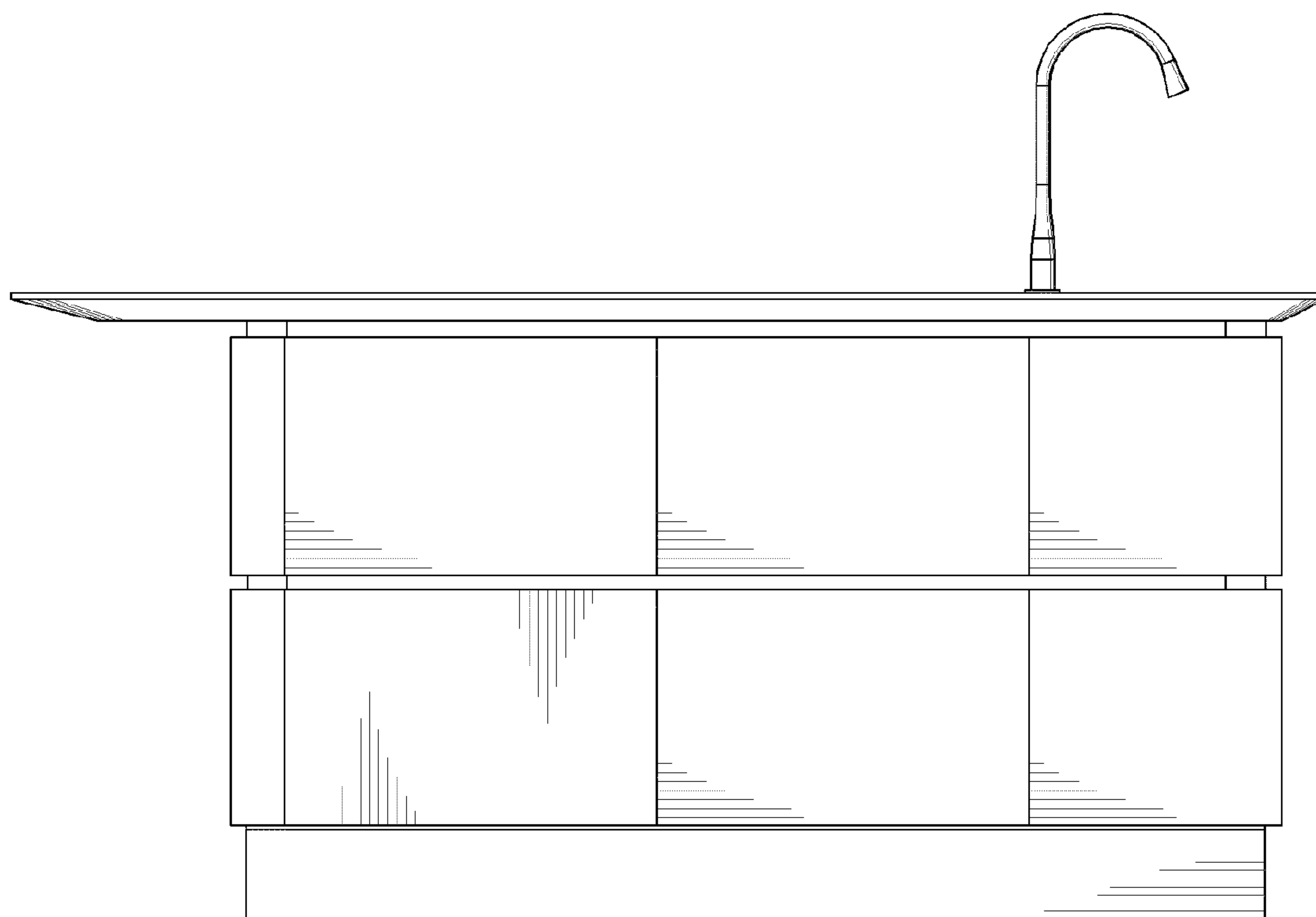


FIG. 3

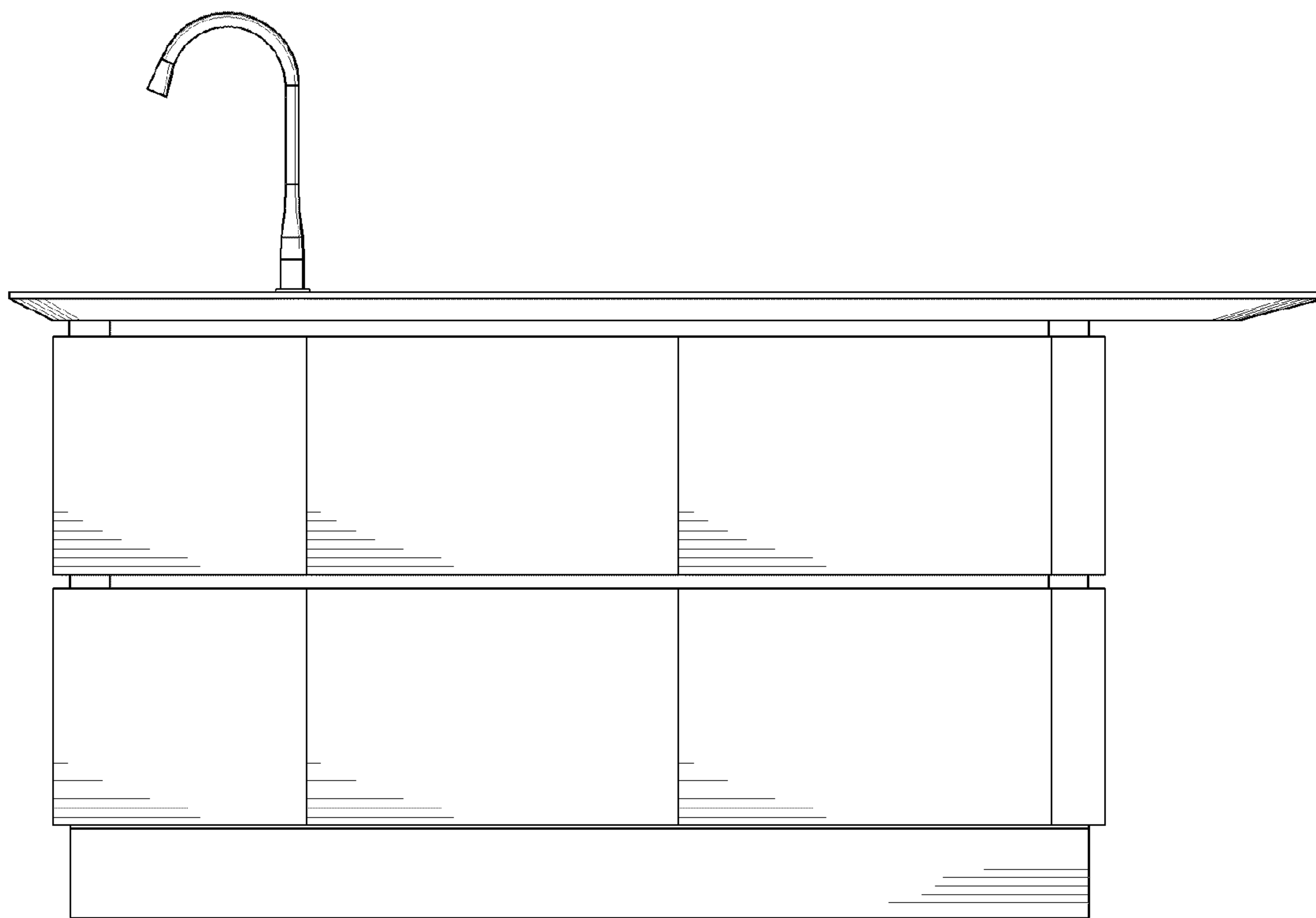


FIG. 4

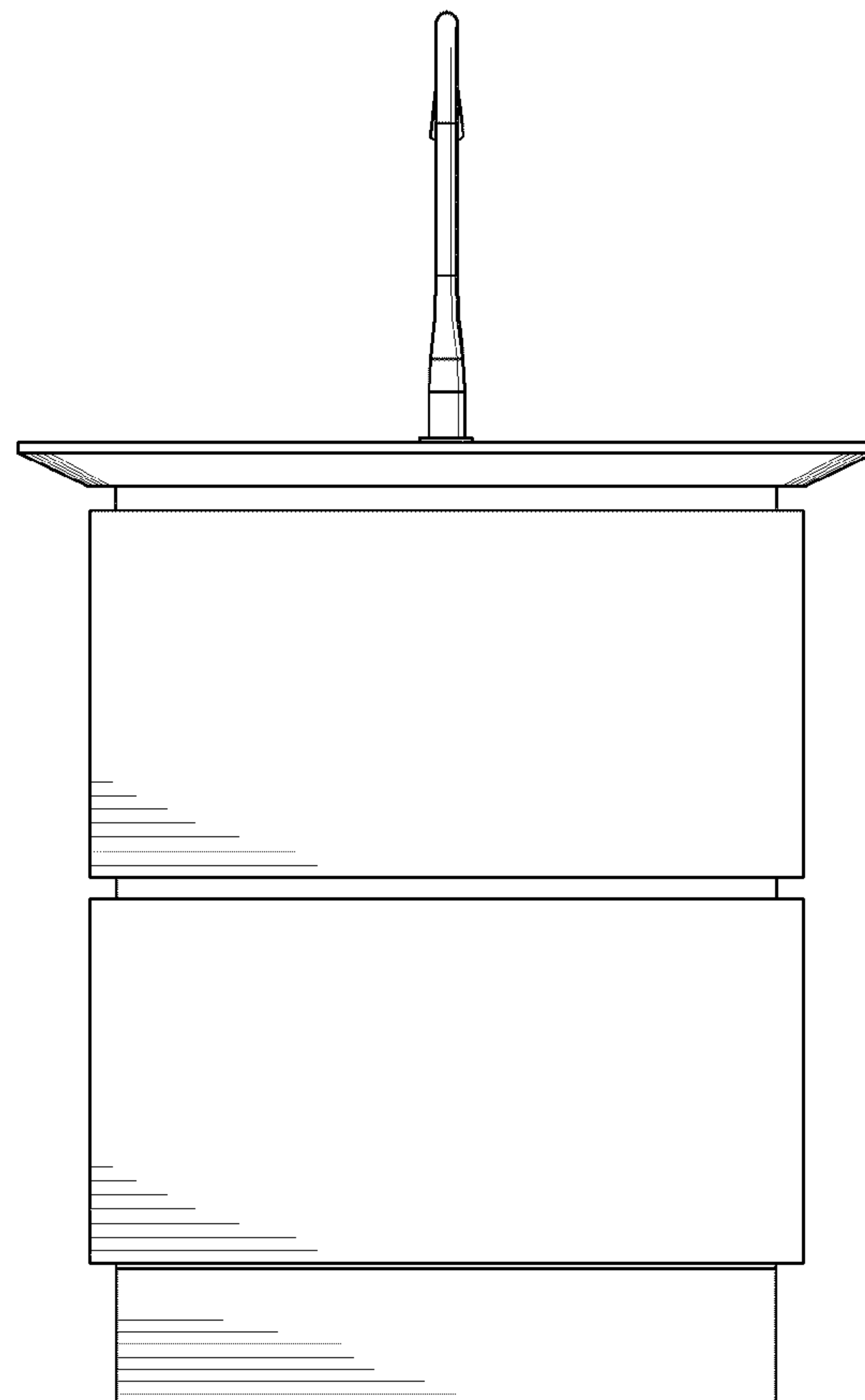


FIG. 5

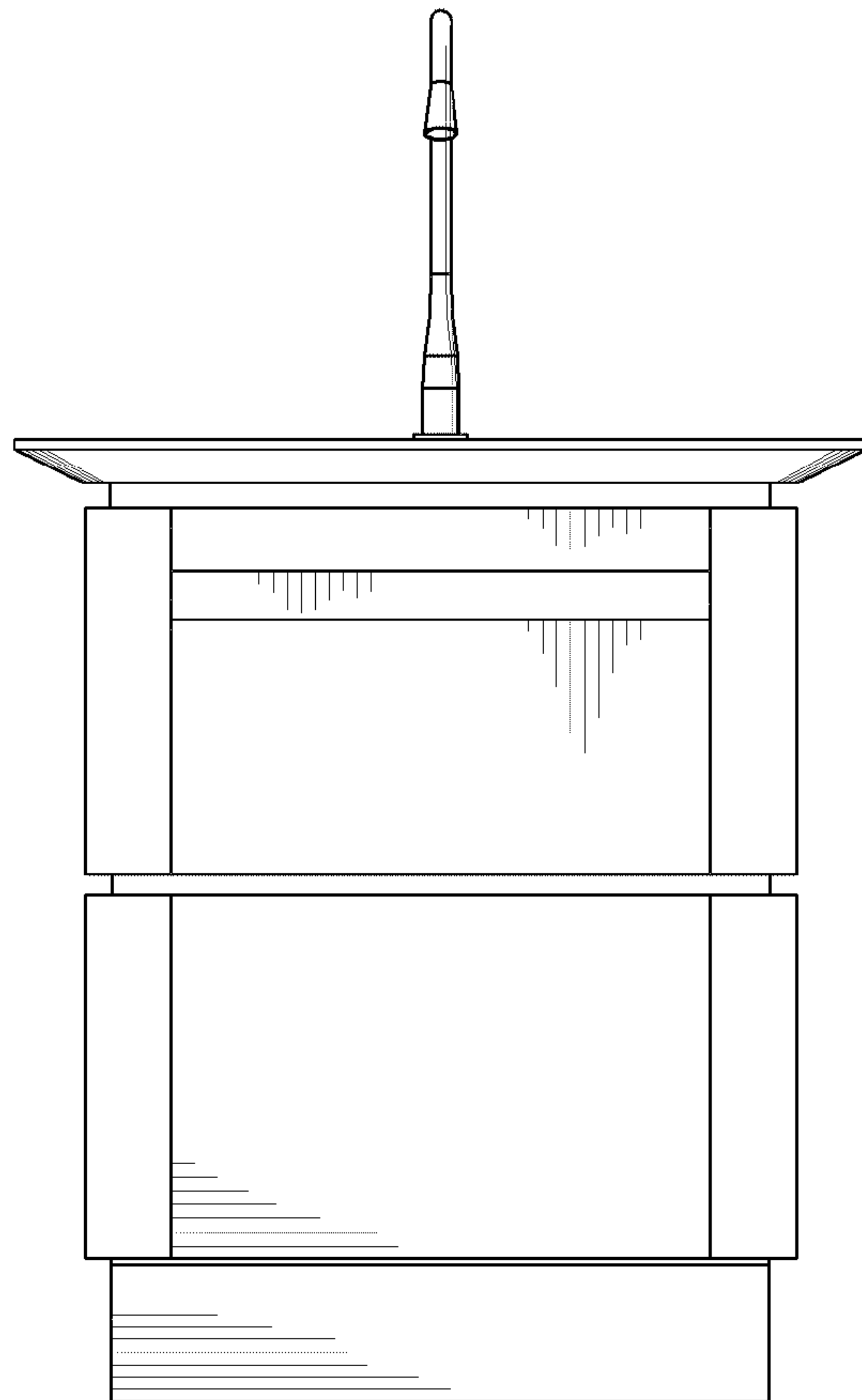


FIG. 6

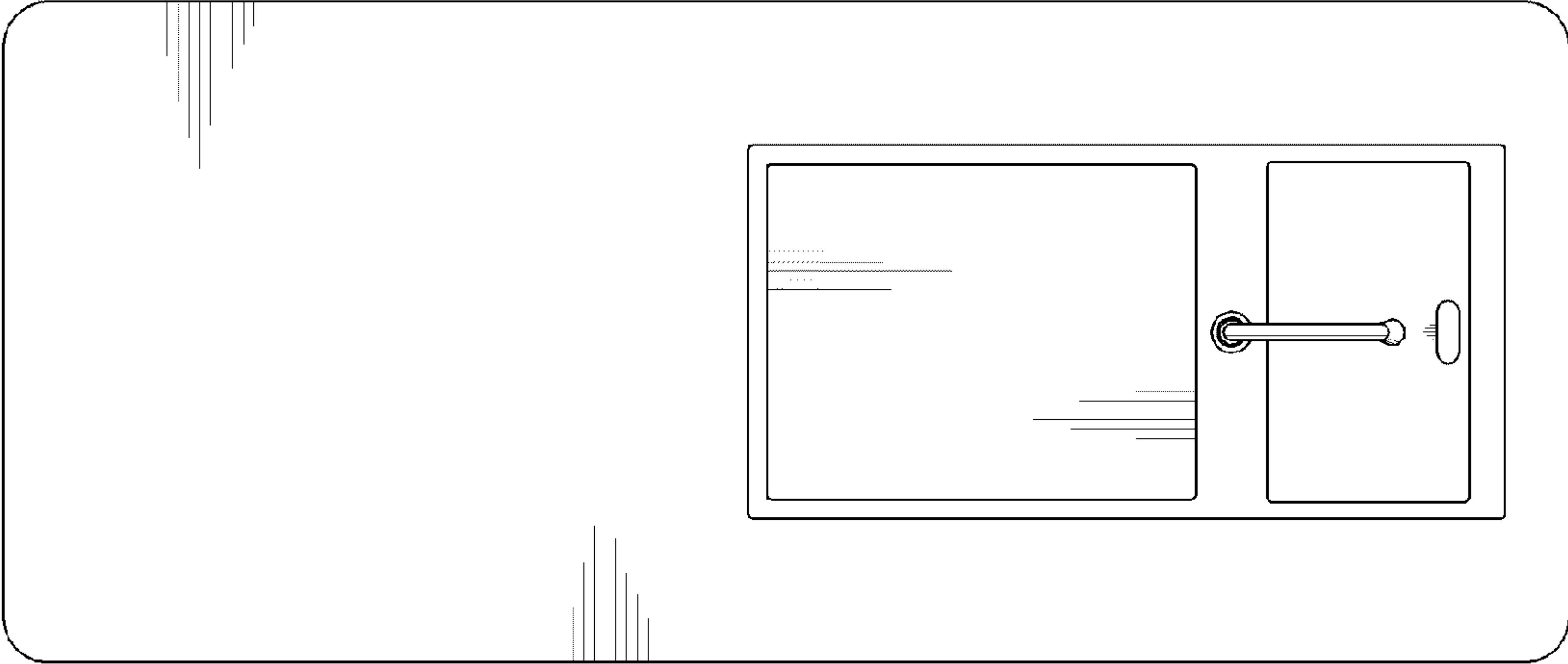


FIG. 7

