



US00D737942S

(12) **United States Design Patent**  
**Ball et al.**

(10) **Patent No.:** **US D737,942 S**  
(45) **Date of Patent:** **\*\* Sep. 1, 2015**

- (54) **HYDRANT ENCLOSURE**
- (71) Applicant: **WCM Industries, Inc.**, Colorado Springs, CO (US)
- (72) Inventors: **William T. Ball**, Colorado Springs, CO (US); **Eric Pilarczyk**, Colorado Springs, CO (US)
- (73) Assignee: **WCM Industries, Inc.**, Colorado Springs, CO (US)

(\*\*) Term: **14 Years**

(21) Appl. No.: **29/514,308**

(22) Filed: **Jan. 10, 2015**

(51) **LOC (10) Cl.** ..... **23-01**

(52) **U.S. Cl.**  
USPC ..... **D23/259**

(58) **Field of Classification Search**  
USPC ..... D23/259, 233–237, 249, 260–263, 265, 266, 499; 137/272, 377, 382; 251/148, 251/149, 153; 285/10–11, 123.2, 124.1, 285/154.1, 242, 284.1, 351  
See application file for complete search history.

(56) **References Cited**

**U.S. PATENT DOCUMENTS**

|           |    |   |         |               |       |           |
|-----------|----|---|---------|---------------|-------|-----------|
| D180,010  | S  | * | 4/1957  | Britton       | ..... | D23/235   |
| D216,791  | S  | * | 3/1970  | Woodford      | ..... | D23/234   |
| D228,554  | S  | * | 10/1973 | Magorien      | ..... | D23/263   |
| D245,255  | S  | * | 8/1977  | Porter        | ..... | D23/260   |
| D275,616  | S  | * | 9/1984  | Gray          | ..... | D24/110.6 |
| D283,204  | S  | * | 4/1986  | McDonald      | ..... | D10/96    |
| D318,718  | S  | * | 7/1991  | Blatt         | ..... | D23/262   |
| 5,964,246 | A  | * | 10/1999 | Meeker        | ..... | 137/360   |
| 6,948,512 | B2 | * | 9/2005  | McKeague      | ..... | 137/15.05 |
| D614,736  | S  | * | 4/2010  | Freiler       | ..... | D23/260   |
| 8,042,565 | B2 |   | 10/2011 | Ball et al.   |       |           |
| D656,223  | S  | * | 3/2012  | Cronje et al. | ..... | D23/233   |
| 8,353,309 | B1 | * | 1/2013  | Embry et al.  | ..... | 137/385   |

|              |    |   |         |                  |       |         |
|--------------|----|---|---------|------------------|-------|---------|
| D681,784     | S  | * | 5/2013  | Liljegren et al. | ..... | D23/262 |
| D715,405     | S  | * | 10/2014 | McAlpine         | ..... | D23/233 |
| D720,046     | S  | * | 12/2014 | Morodomi et al.  | ..... | D23/233 |
| D721,787     | S  | * | 1/2015  | Yoshimura et al. | ..... | D23/233 |
| D721,788     | S  | * | 1/2015  | Pifer            | ..... | D23/233 |
| D722,674     | S  | * | 2/2015  | Lipkens et al.   | ..... | D23/207 |
| D722,676     | S  | * | 2/2015  | Gaertner         | ..... | D23/233 |
| 2004/0000337 | A1 | * | 1/2004  | Cooper           | ..... | 137/377 |
| 2006/0086921 | A1 | * | 4/2006  | Ball             | ..... | 251/148 |
| 2011/0062834 | A1 | * | 3/2011  | Ball et al.      | ..... | 312/215 |
| 2014/0202558 | A1 | * | 7/2014  | Chou et al.      | ..... | 137/377 |
| 2015/0000767 | A1 | * | 1/2015  | Ball et al.      | ..... | 137/382 |

**OTHER PUBLICATIONS**

- U.S. Appl. No. 29/503,651, filed Sep. 29, 2014, Ball et al.
- U.S. Appl. No. 29/503,653, filed Sep. 29, 2014, Ball et al.
- U.S. Appl. No. 29/514,306, filed Jan. 10, 2015, Ball et al.
- U.S. Appl. No. 29/514,307, filed Jan. 10, 2015, Ball et al.
- U.S. Appl. No. 29/519,131, filed Mar. 2, 2015, Ball et al.

(Continued)

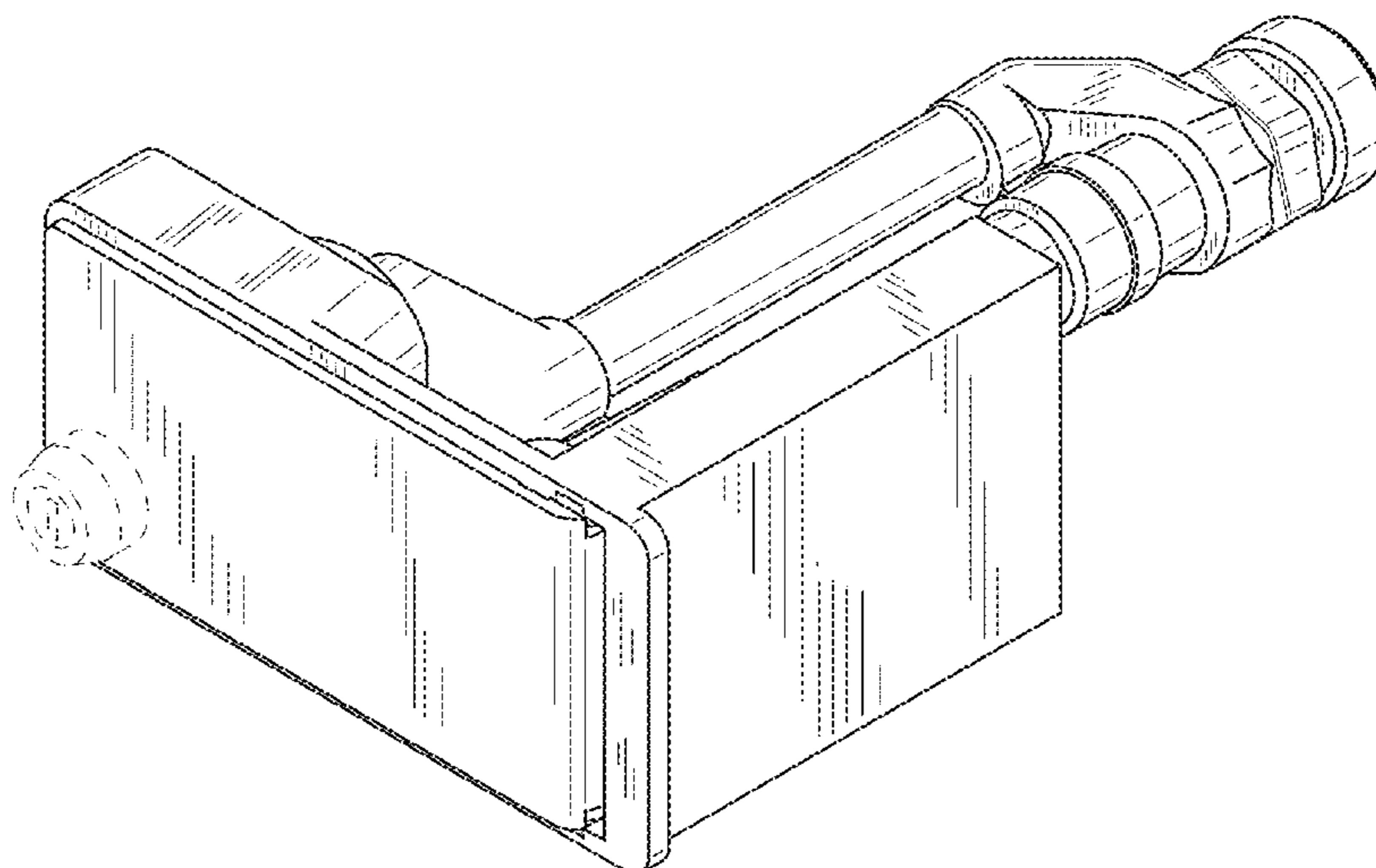
*Primary Examiner* — Eric Goodman  
*Assistant Examiner* — Amy Wierenga  
(74) *Attorney, Agent, or Firm* — Sheridan Ross P.C.

(57) **CLAIM**  
The ornamental design for a hydrant enclosure, as shown and described.

**DESCRIPTION**

FIG. 1 is a perspective view of the hydrant enclosure showing the new design;  
FIG. 2 is a front elevation view thereof;  
FIG. 3 is a rear elevation view thereof;  
FIG. 4 is a right elevation view thereof;  
FIG. 5 is a left elevation view thereof;  
FIG. 6 is a top plan view thereof; and,  
FIG. 7 is a bottom plan view thereof.  
The broken line showing is for the purpose of illustrating environment and forms no part of the claimed design.

**1 Claim, 5 Drawing Sheets**



(56)

**References Cited**

OTHER PUBLICATIONS

U.S. Appl. No. 29/519,956, filed Mar. 9, 2015, Ball et al.  
U.S. Appl. No. 29/519,957, filed Mar. 9, 2015, Ball et al.  
Notice of Allowance for U.S. Appl. No. 29/503,651, mailed Mar. 3,  
2015, 10 pages.

Notice of Allowance for U.S. Appl. No. 29/503,653, mailed Mar. 4,  
2015, 10 pages.

Official Action for U.S. Appl. No. 29/514,306, mailed Mar. 4, 2015,  
9 pages.

Official Action for U.S. Appl. No. 29/514,307, mailed Mar. 11, 2015,  
7 pages.

\* cited by examiner

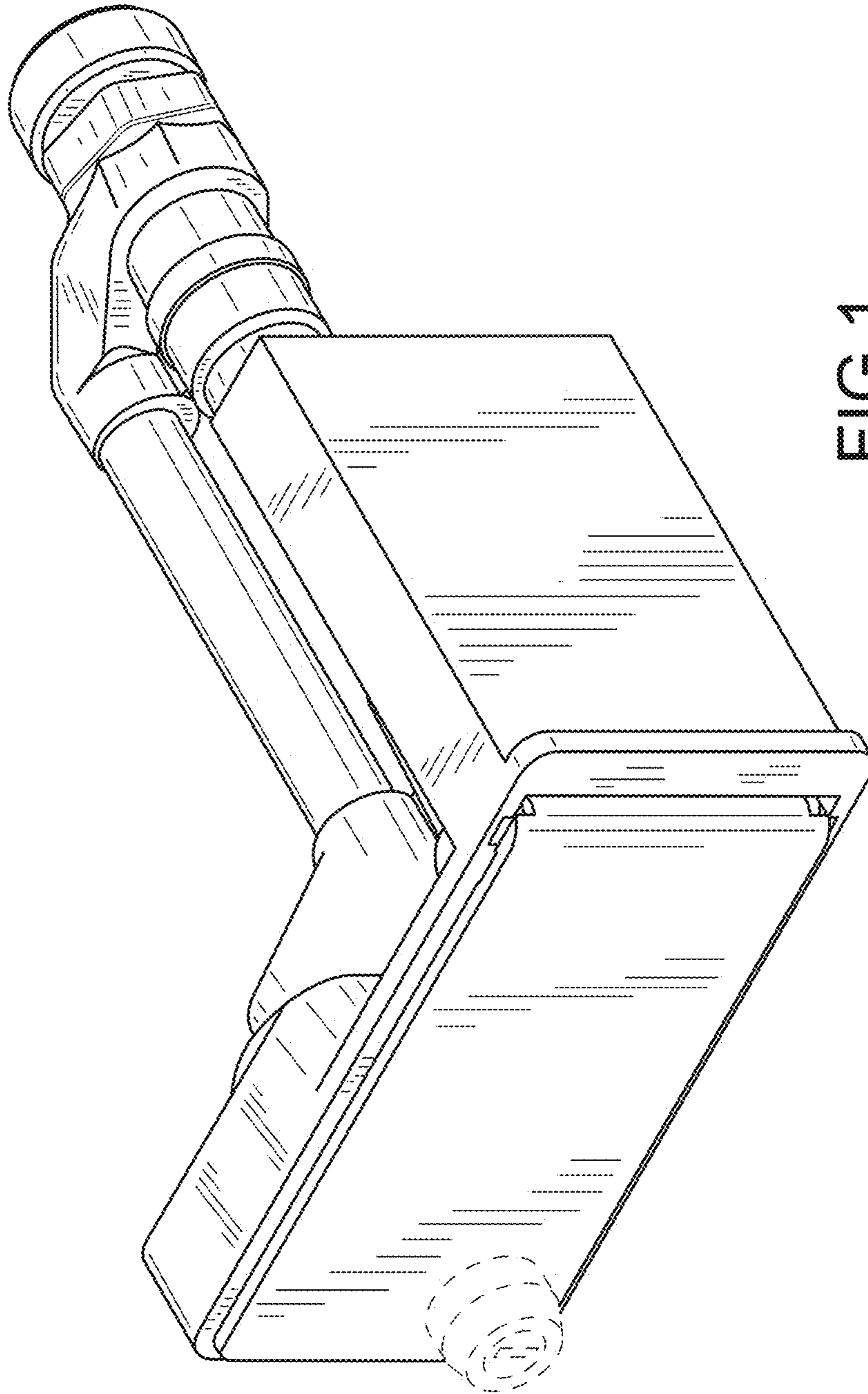


FIG. 1

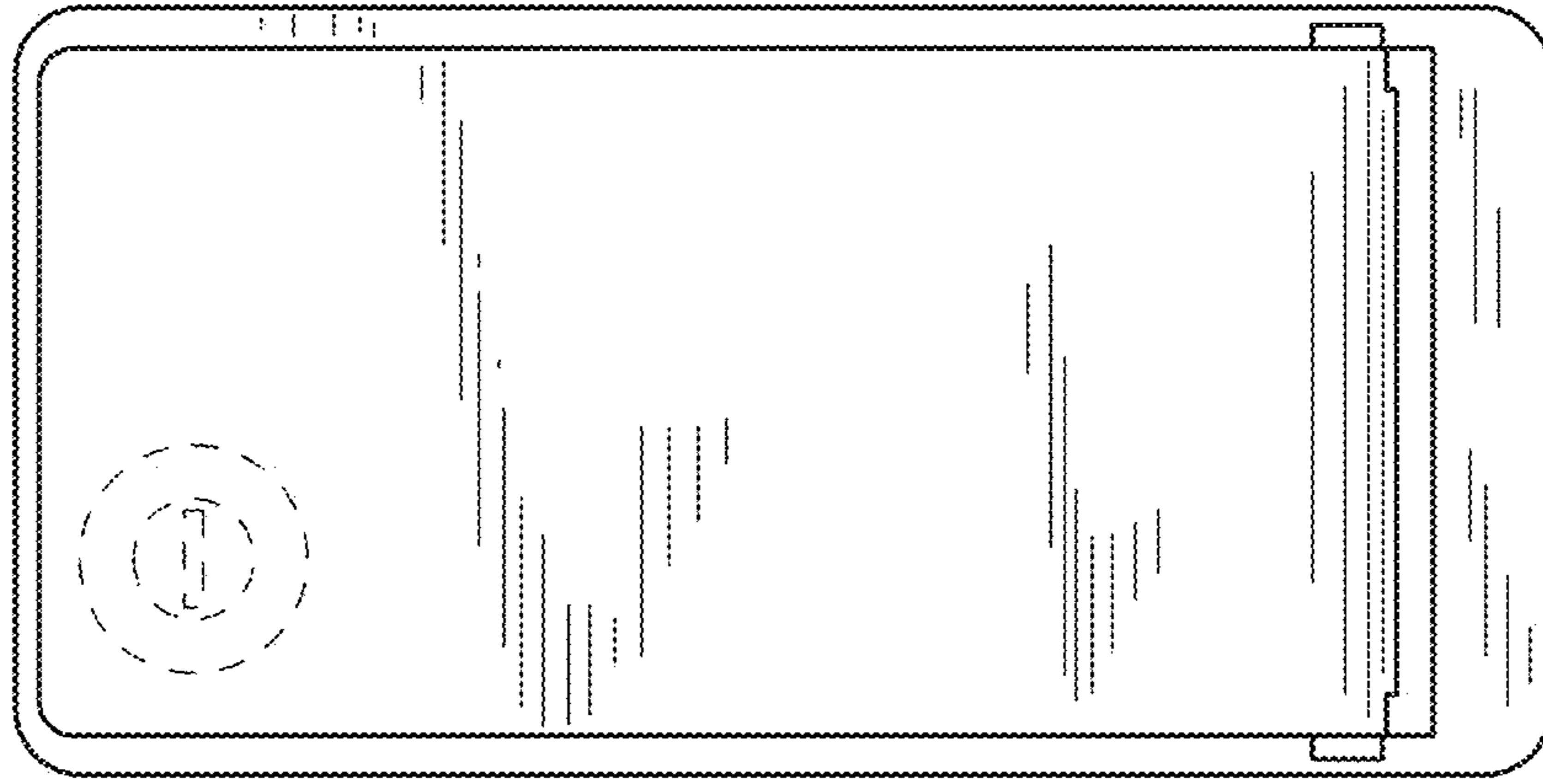


FIG. 2

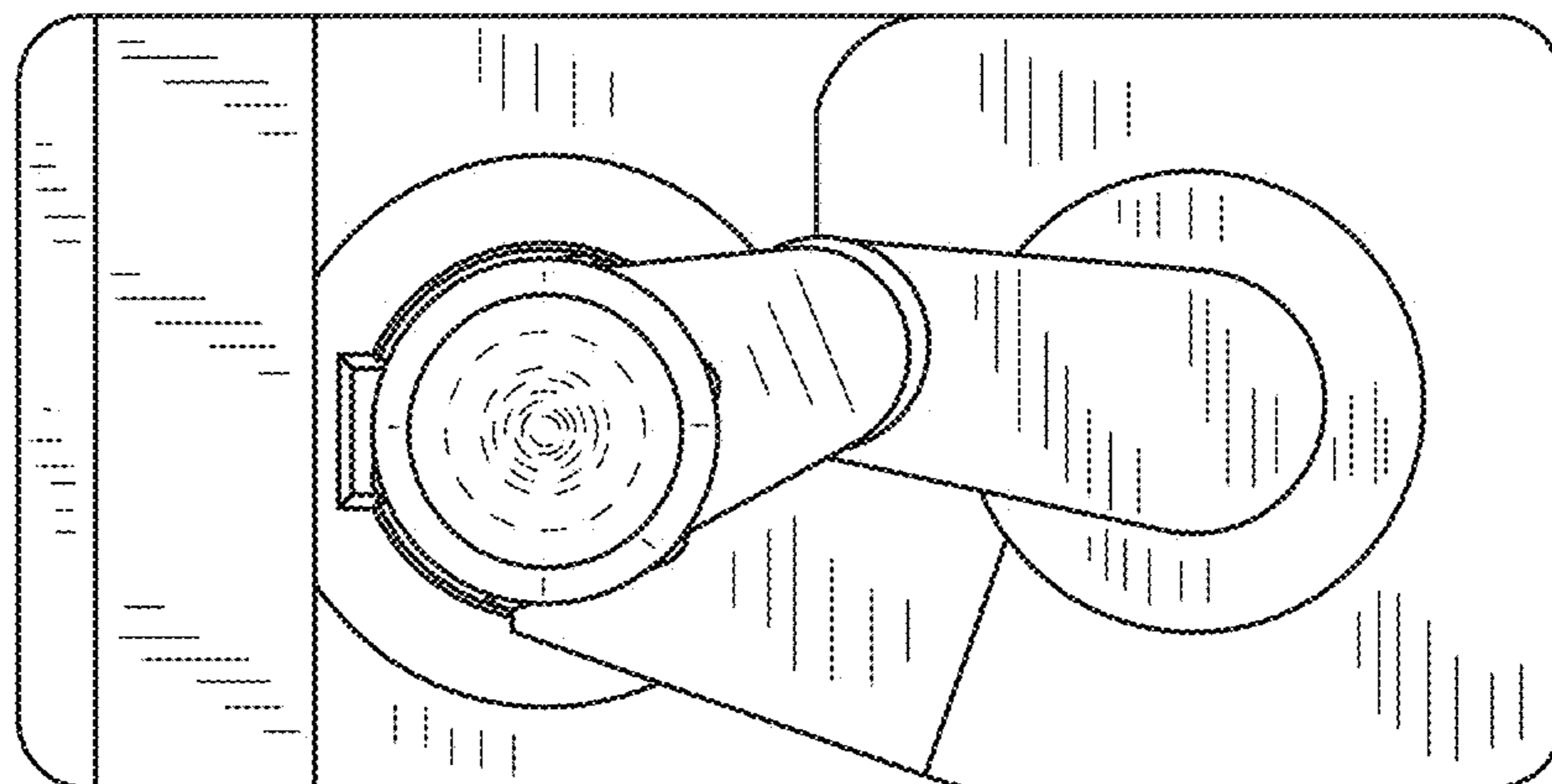


FIG. 3



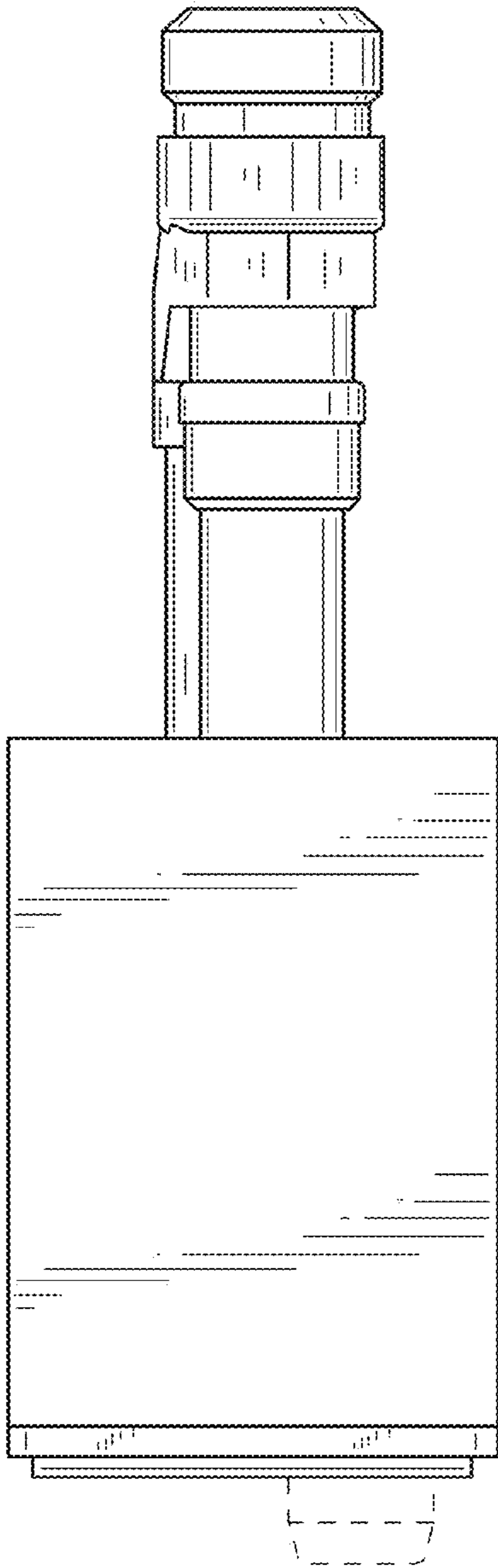


FIG. 4

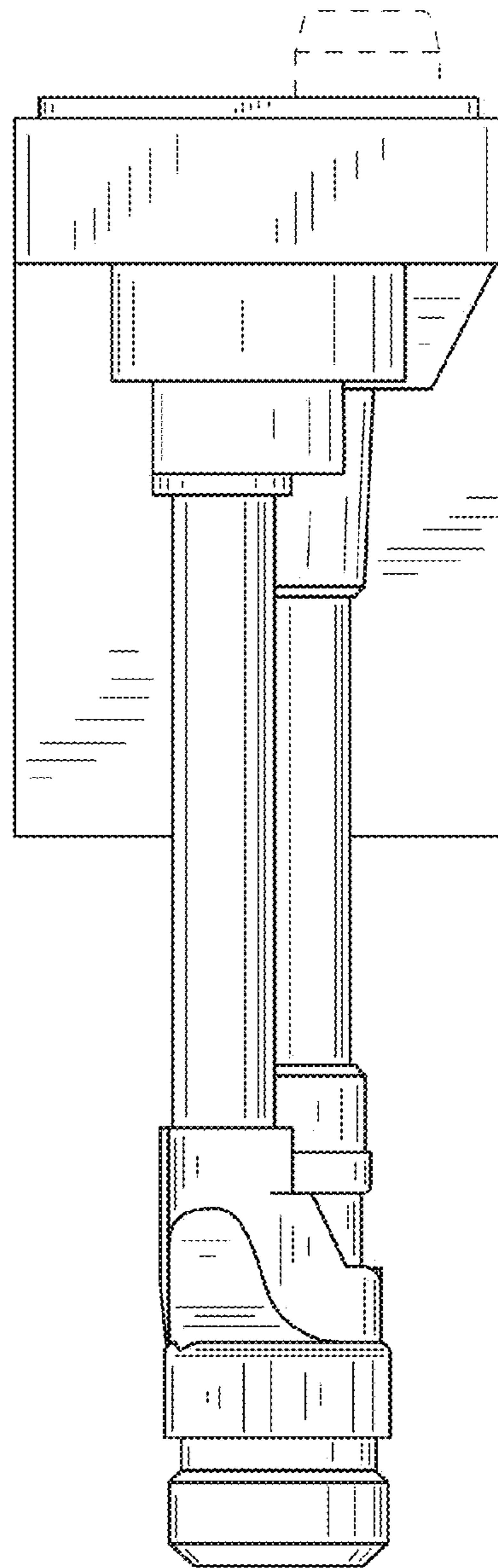


FIG. 5

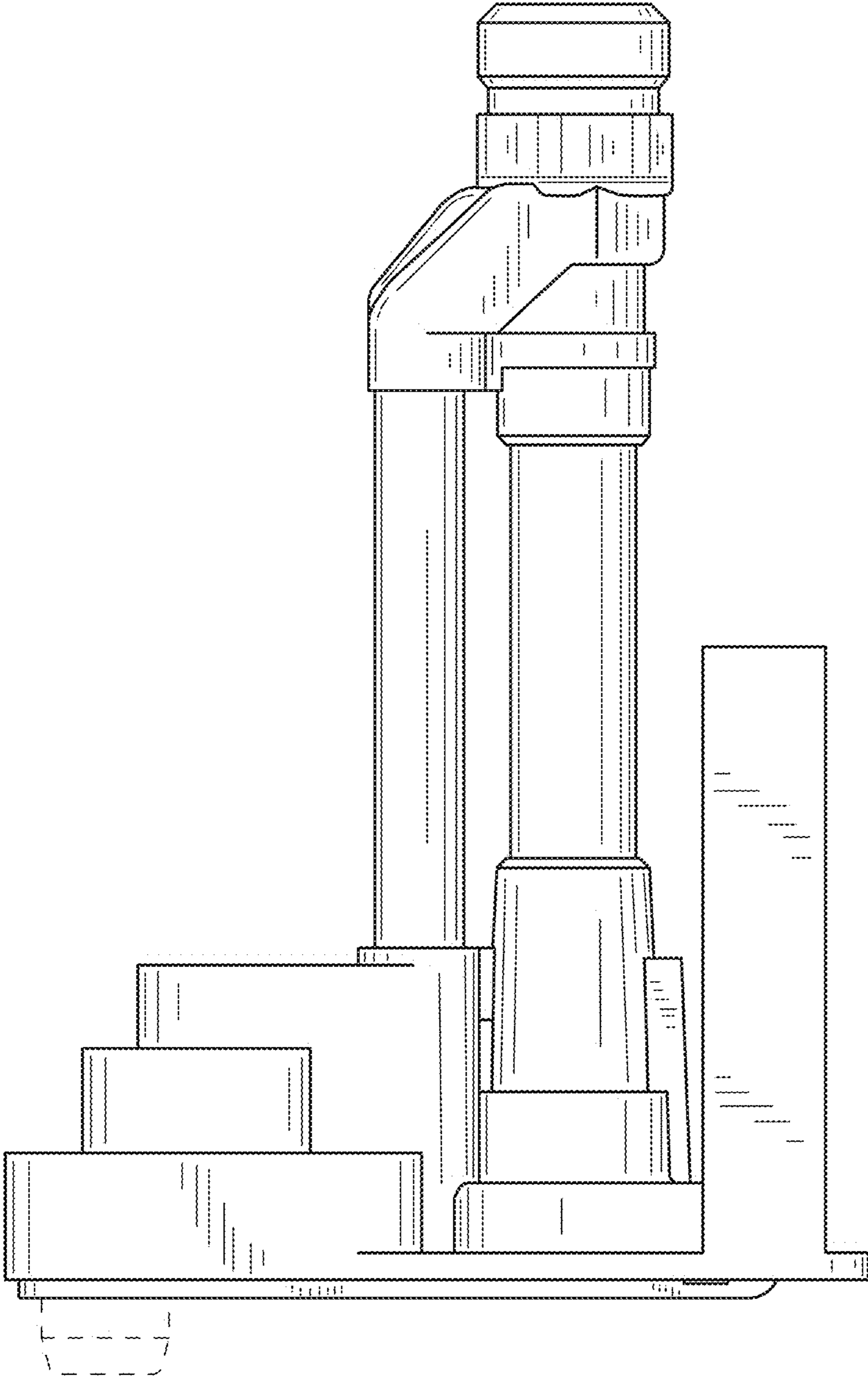


FIG.6

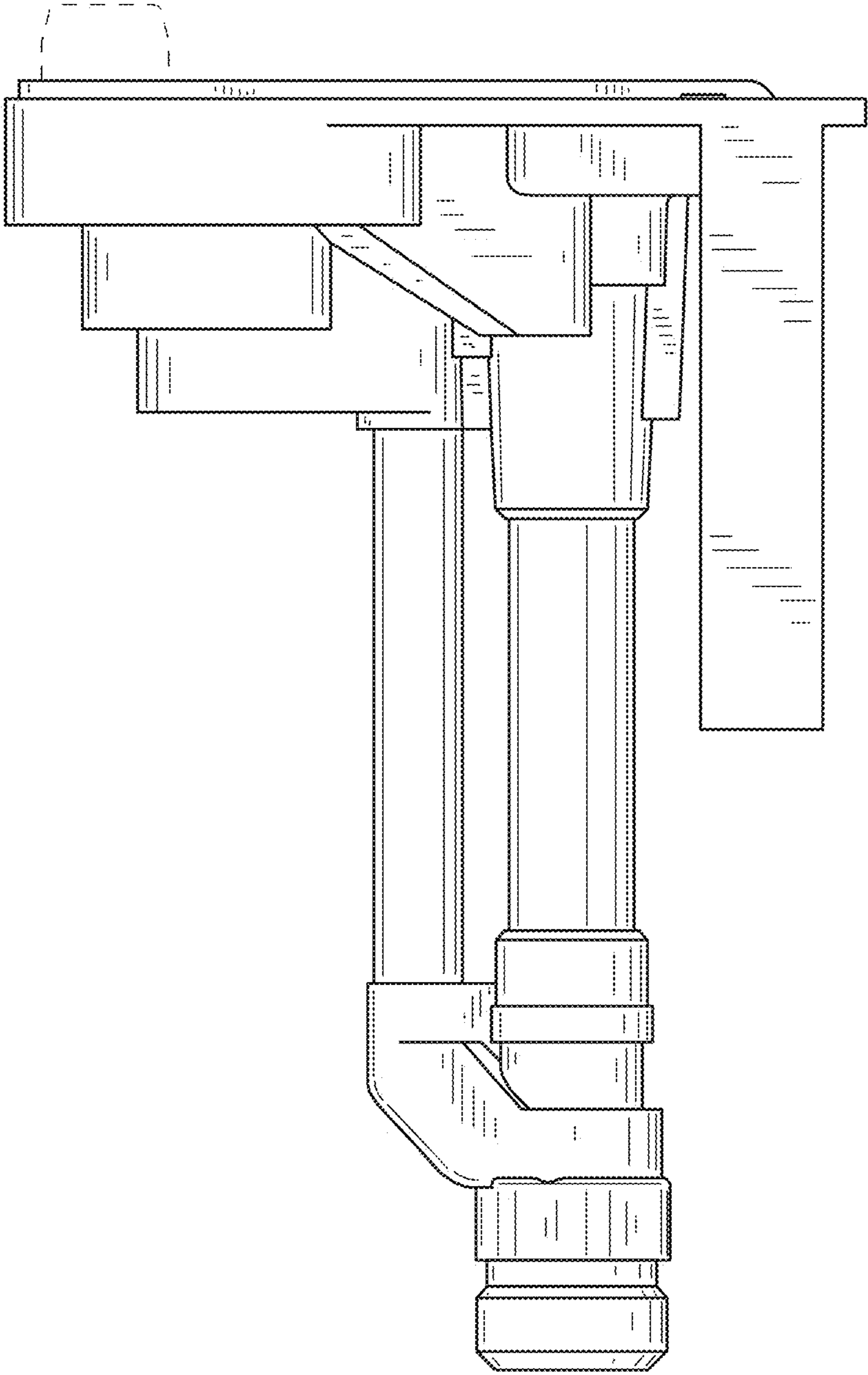


FIG. 7