



US00D737941S

(12) **United States Design Patent**
Eads

(10) **Patent No.:** **US D737,941 S**

(45) **Date of Patent:** **** Sep. 1, 2015**

(54) **FAUCET SPOUT**

(71) Applicant: **Masco Corporation of Indiana,**
Indianapolis, IN (US)

(72) Inventor: **Thad James Eads,** North Manchester,
IN (US)

(73) Assignee: **DELTA FAUCET COMPANY,**
Indianapolis, IN (US)

(**) Term: **14 Years**

(21) Appl. No.: **29/501,167**

(22) Filed: **Sep. 2, 2014**

(51) **LOC (10) Cl.** **23-01**

(52) **U.S. Cl.**
USPC **D23/255**

(58) **Field of Classification Search**
USPC D23/238, 241-243, 249, 255, 257
CPC E03C 1/04; E03C 1/0401; E03C 1/0402;
E03C 1/0404

See application file for complete search history.

(56) **References Cited**

U.S. PATENT DOCUMENTS

| | | | |
|--------------|---------|-----------------------|---------|
| D203,244 S * | 12/1965 | Bilkiss | D23/255 |
| D687,523 S * | 8/2013 | Garland | D23/257 |
| D701,592 S * | 3/2014 | Zhenqiang et al. | D23/238 |

* cited by examiner

Primary Examiner — Robert Delehanty

(74) *Attorney, Agent, or Firm* — Edgar A. Zarins; Nirav D. Parikh

(57) **CLAIM**

The ornamental design for a faucet spout, as shown and described.

DESCRIPTION

FIG. 1 is a perspective view of a faucet spout showing my new design;

FIG. 2 is a front elevational view thereof;

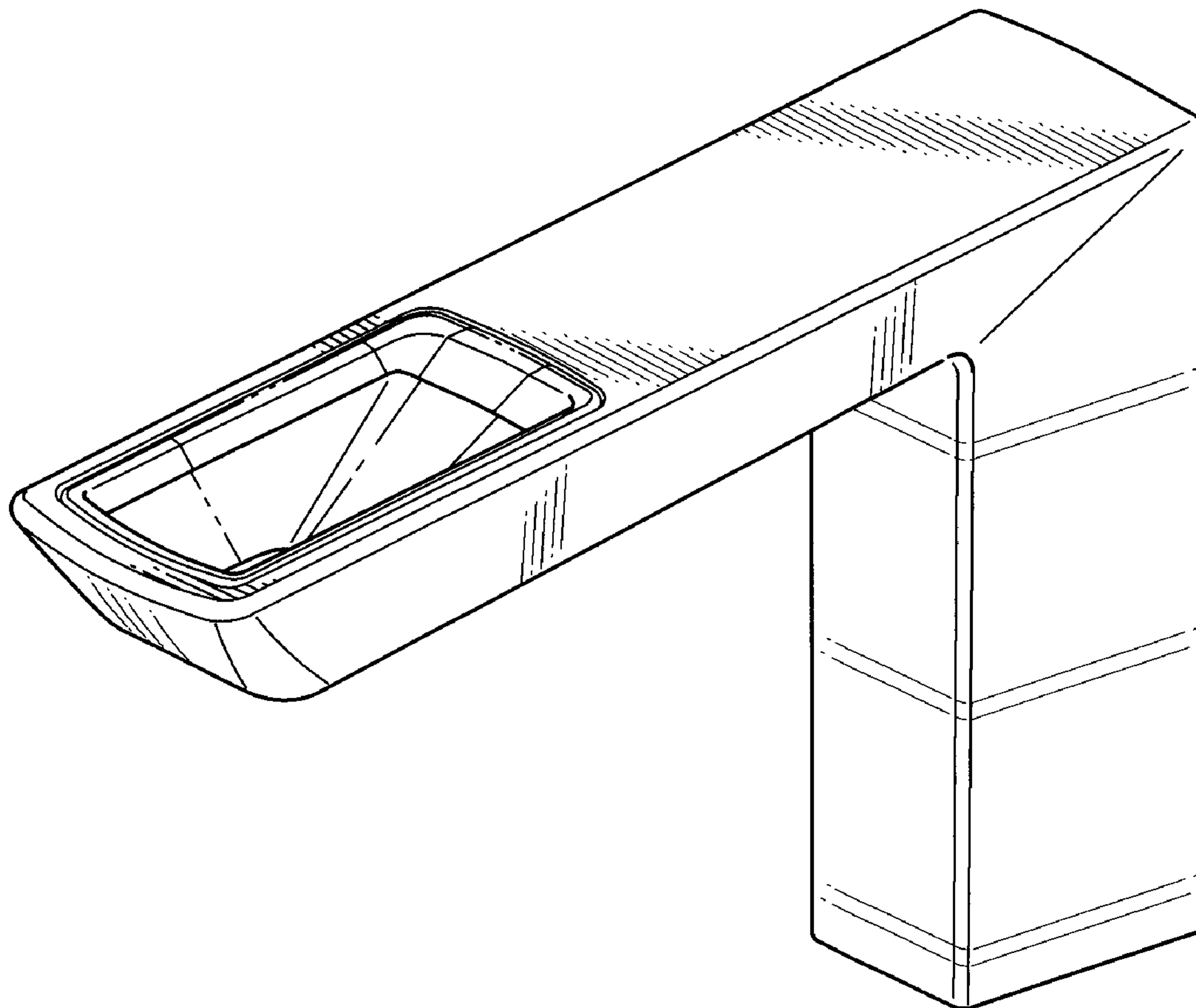
FIG. 3 is a rear view thereof;

FIG. 4 is a top plan view thereof;

FIG. 5 is a first side view thereof, the opposite side being a mirror image of the side shown; and,

FIG. 6 is a bottom view thereof.

1 Claim, 2 Drawing Sheets



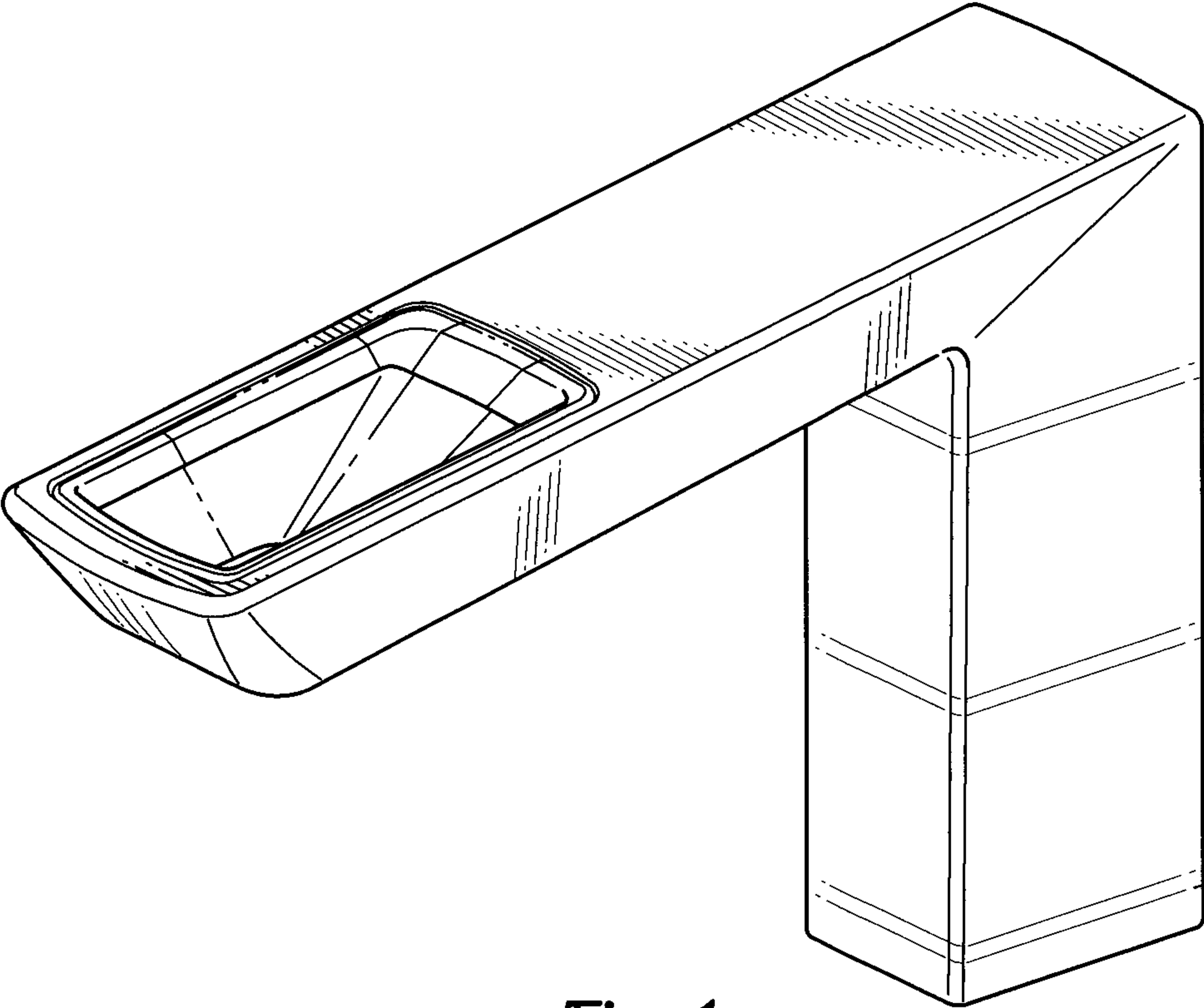


Fig-1

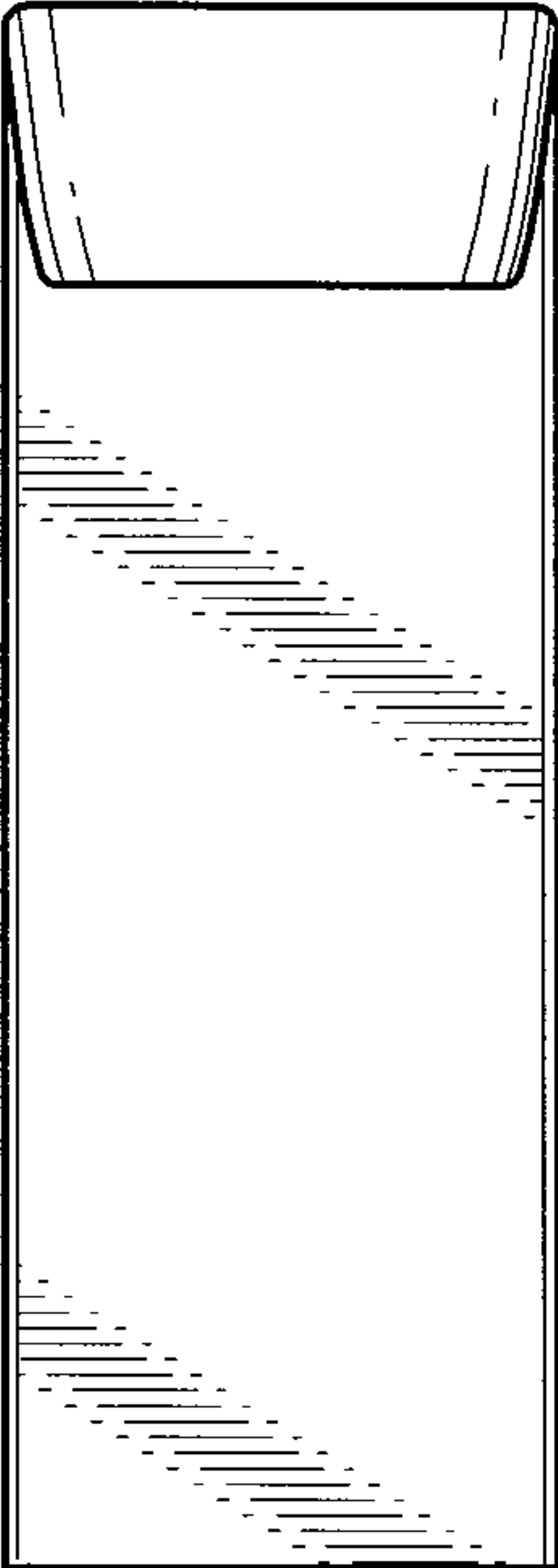


Fig-2

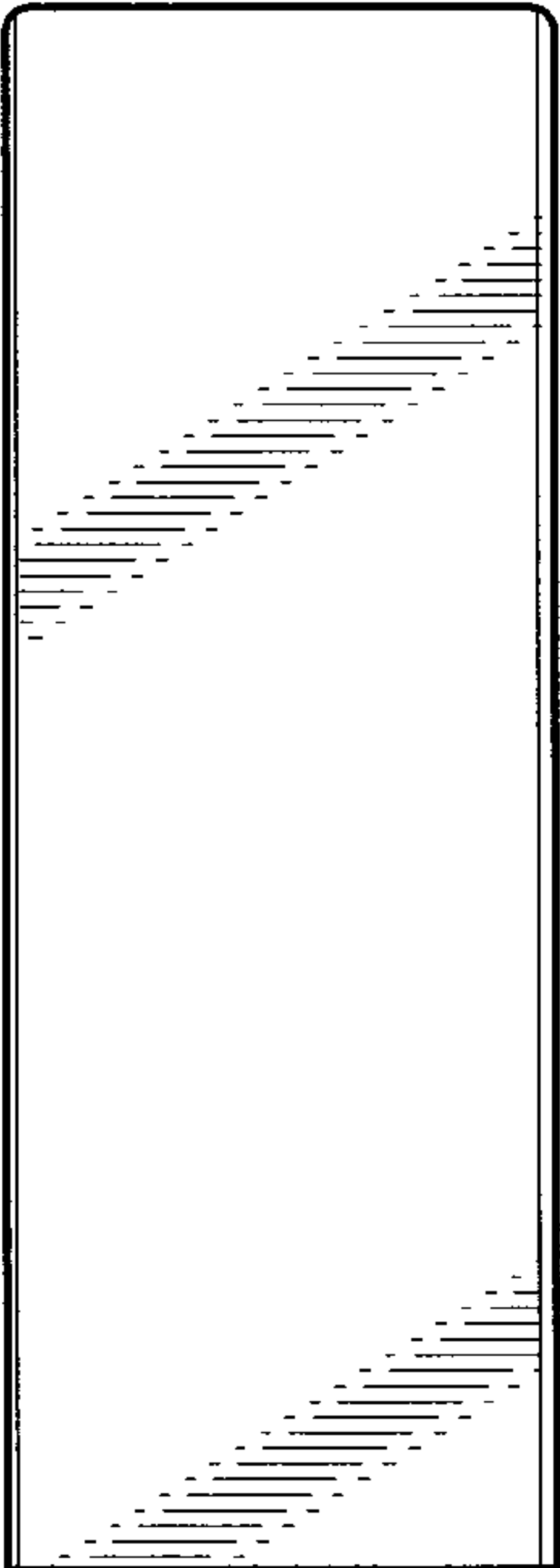


Fig-3

Fig-4

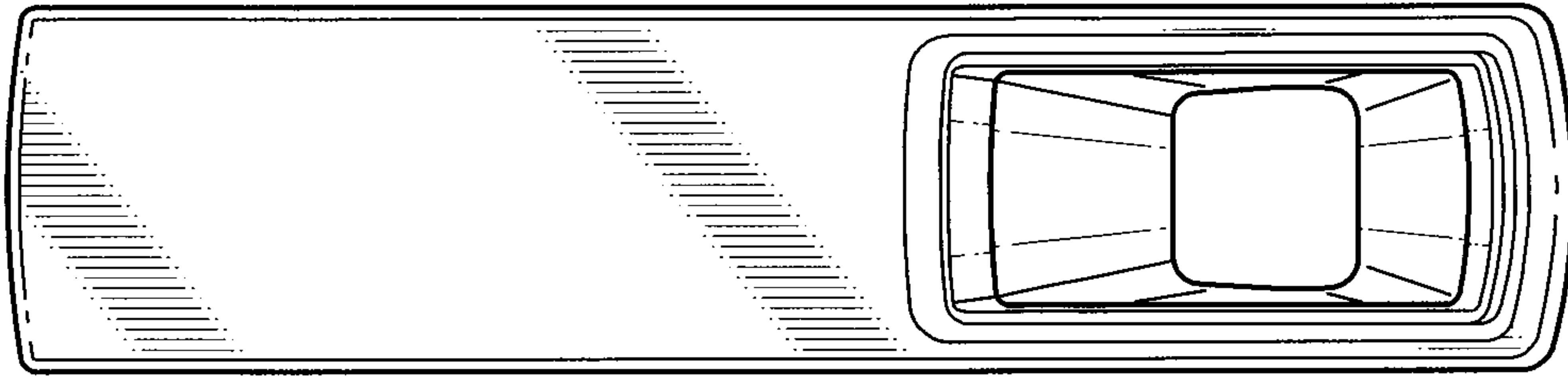


Fig-5

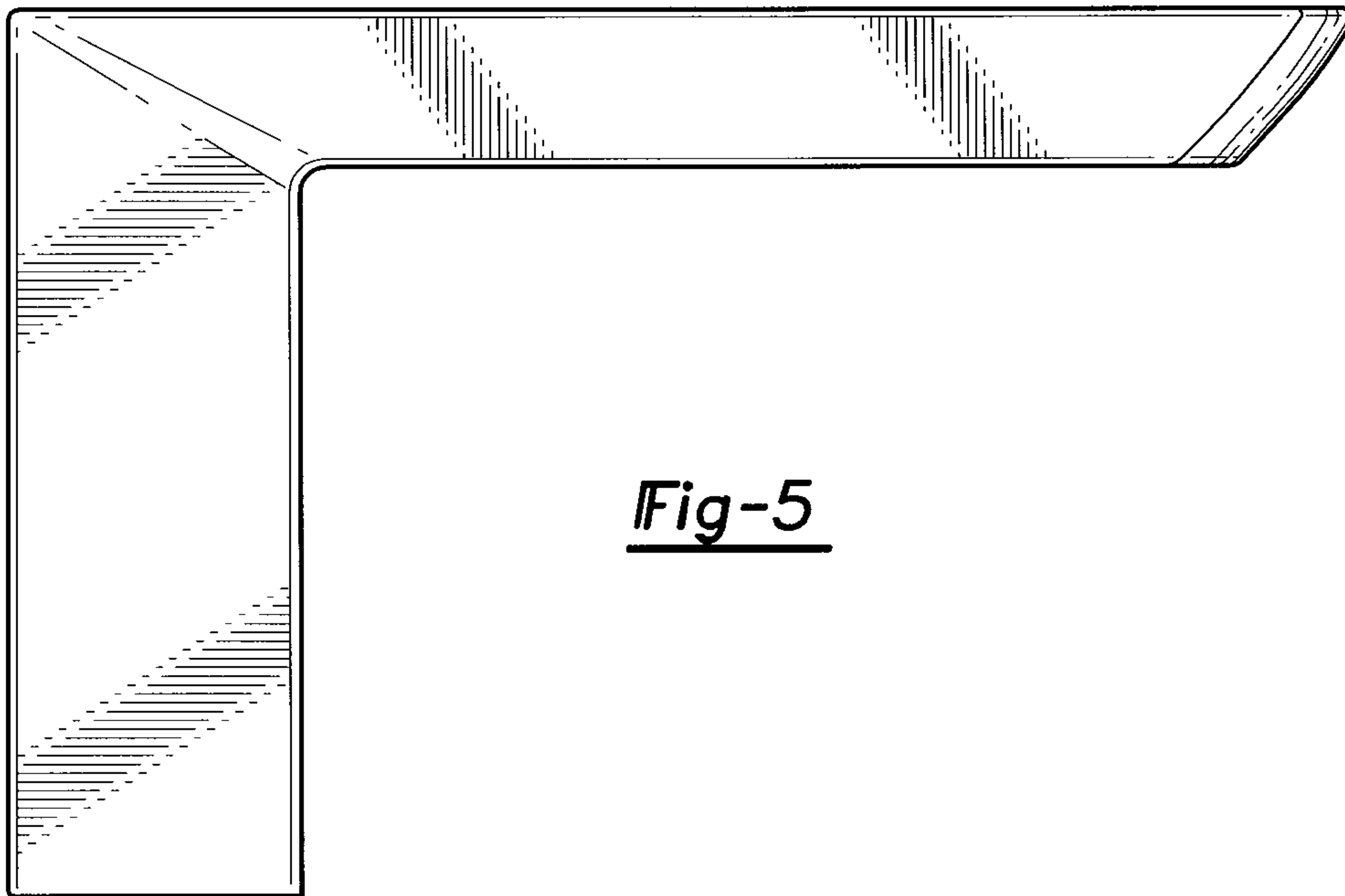


Fig-6

