



US00D737935S

(12) **United States Design Patent**  
**Downey et al.**

(10) **Patent No.:** **US D737,935 S**  
(45) **Date of Patent:** **\*\* Sep. 1, 2015**

(54) **FAUCET**

(71) Applicant: **PRICE PFISTER, INC.**, Lake Forest,  
CA (US)

(72) Inventors: **David Downey**, Mission Viejo, CA (US);  
**Aaron Hanna**, Corona, CA (US)

(73) Assignee: **Price Pfister, Inc.**, Lake Forest, CA (US)

(\*\*) Term: **14 Years**

(21) Appl. No.: **29/503,551**

(22) Filed: **Sep. 26, 2014**

(51) **LOC (10) Cl.** ..... **23-01**

(52) **U.S. Cl.**  
USPC ..... **D23/238**

(58) **Field of Classification Search**  
USPC ..... D23/238, 249, 250, 252, 255, 257  
CPC ..... E03C 1/04; E03C 1/0401; E03C 1/0402;  
E03C 1/0404; E03C 2001/0415

See application file for complete search history.

(56) **References Cited**

U.S. PATENT DOCUMENTS

D253,607 S *	12/1979	Haug .....	D23/238
D327,533 S *	6/1992	Caywood .....	D23/252
D427,287 S *	6/2000	Wei et al. ....	D23/238
D442,674 S *	5/2001	Green et al. ....	D23/252
D535,361 S *	1/2007	Noth et al. ....	D23/238
D586,884 S *	2/2009	Kollmann et al. ....	D23/238

\* cited by examiner

*Primary Examiner* — Robert Delehanty

(74) *Attorney, Agent, or Firm* — Barnes & Thornburg LLP

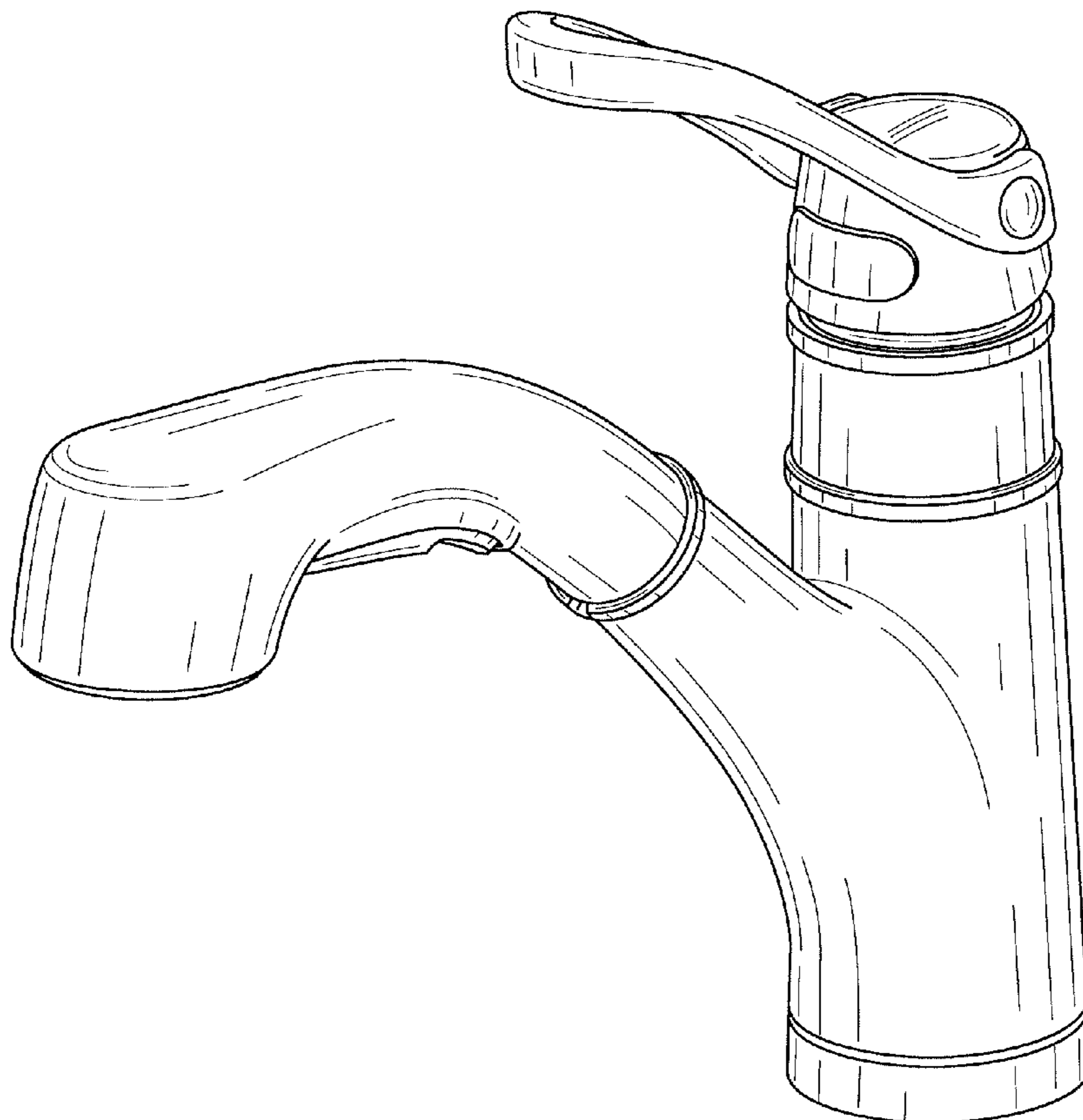
(57) **CLAIM**

What is claimed is the ornamental design for a faucet, as shown and described.

**DESCRIPTION**

FIG. 1—is a perspective view of our new design.  
FIG. 2—is a front view of the design shown in FIG. 1;  
FIG. 3—is the back view of the design shown in FIG. 1;  
FIG. 4—is a right side view of the design shown in FIG. 1;  
FIG. 5—is a left side view of the design shown in FIG. 1;  
FIG. 6—is a top view of the design shown in FIG. 1; and,  
FIG. 7—is a bottom view of the design shown in FIG. 1.  
The broken lines shown in the drawings are for purposes of illustrating portions of the design and form no part of the claimed design.

**1 Claim, 5 Drawing Sheets**



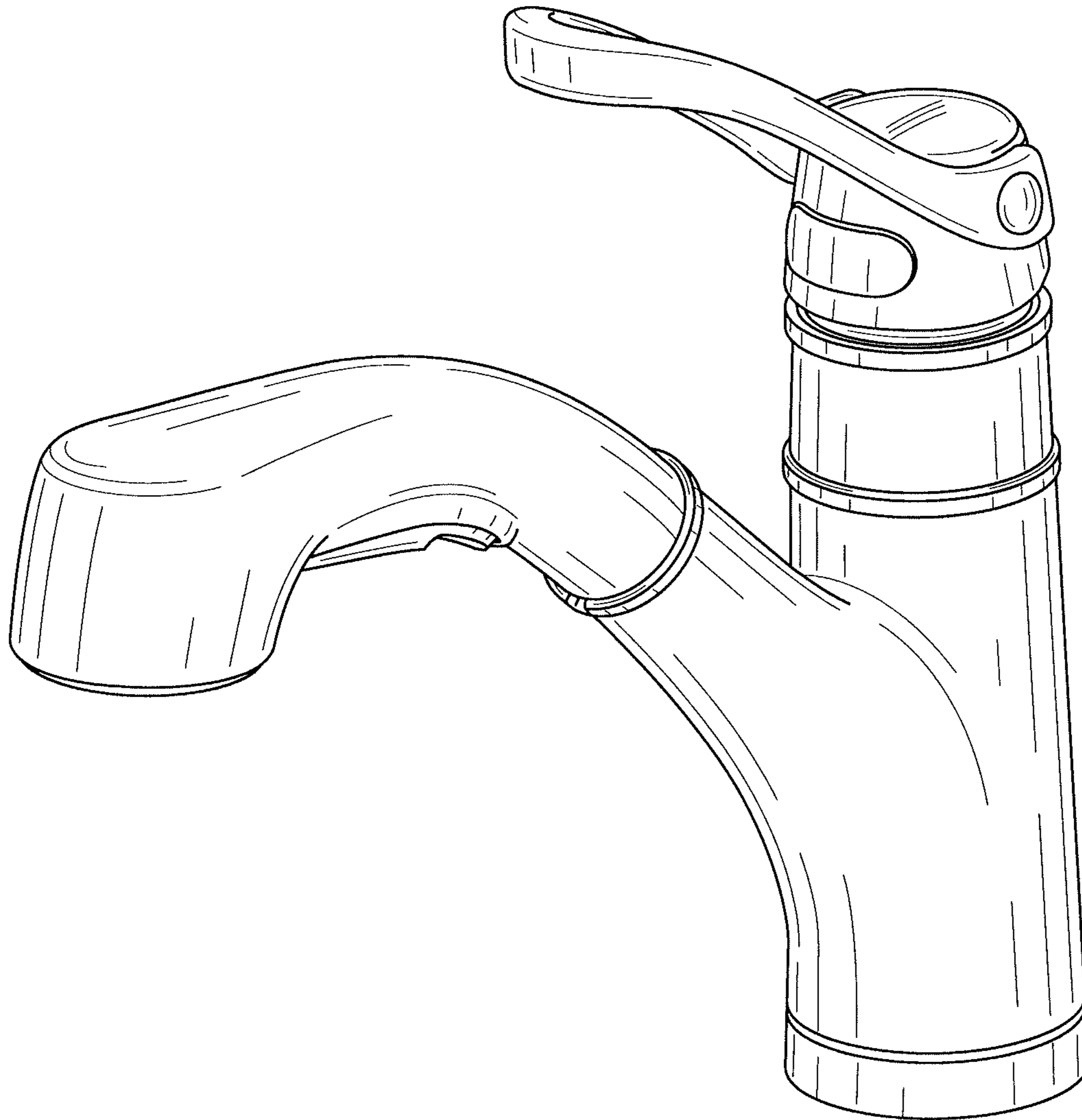


FIG. 1

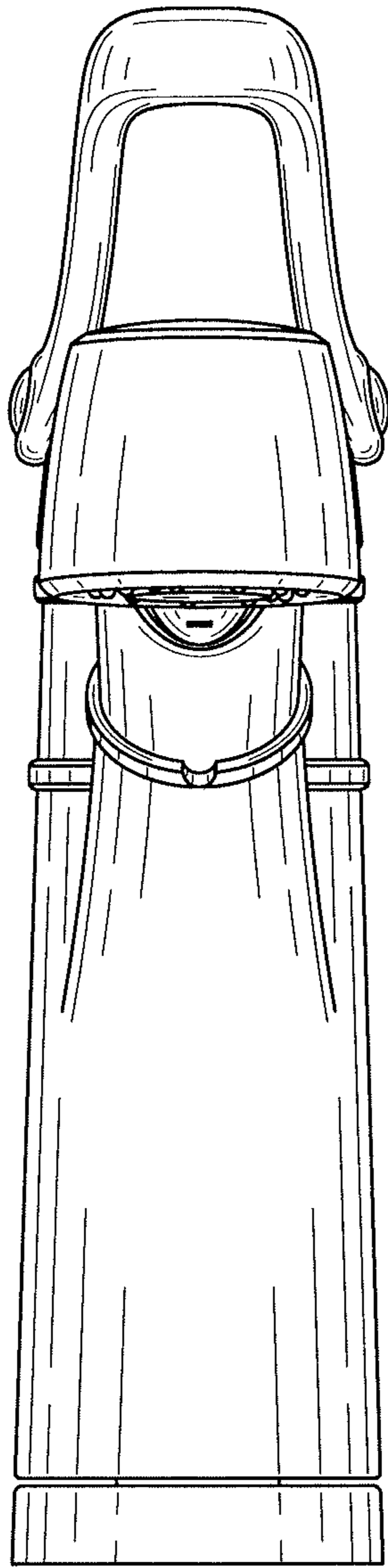


FIG. 2

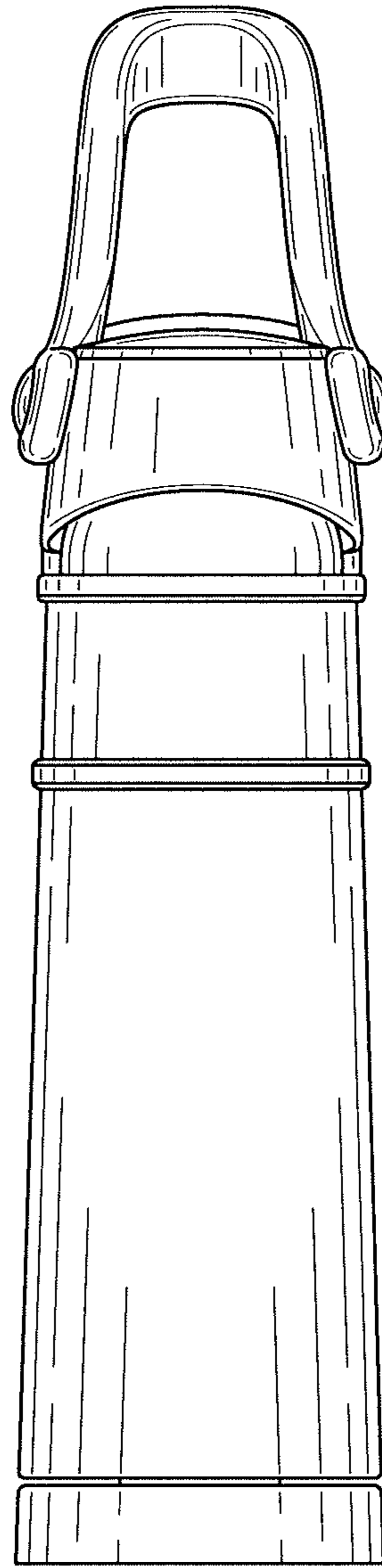


FIG. 3

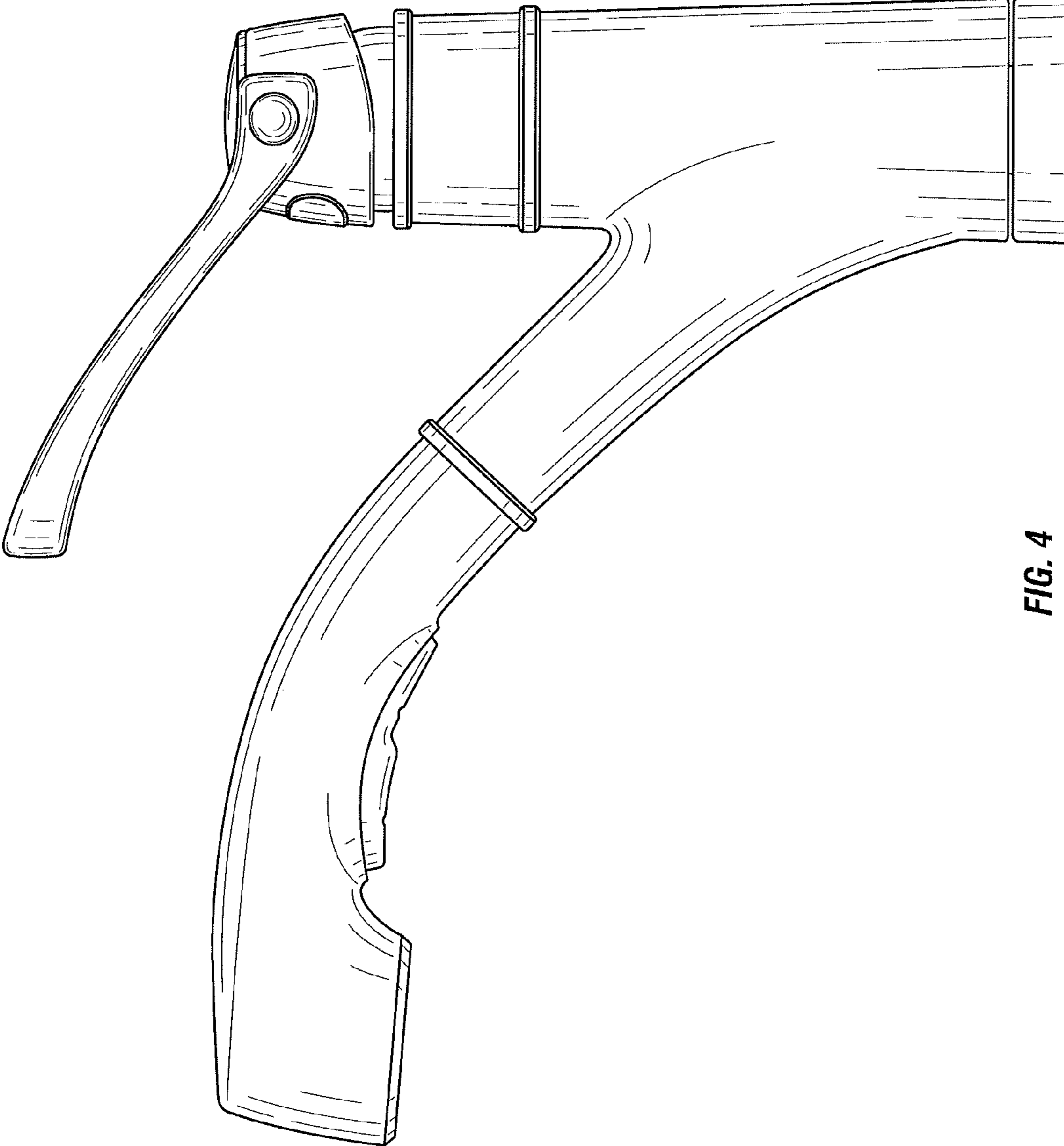


FIG. 4

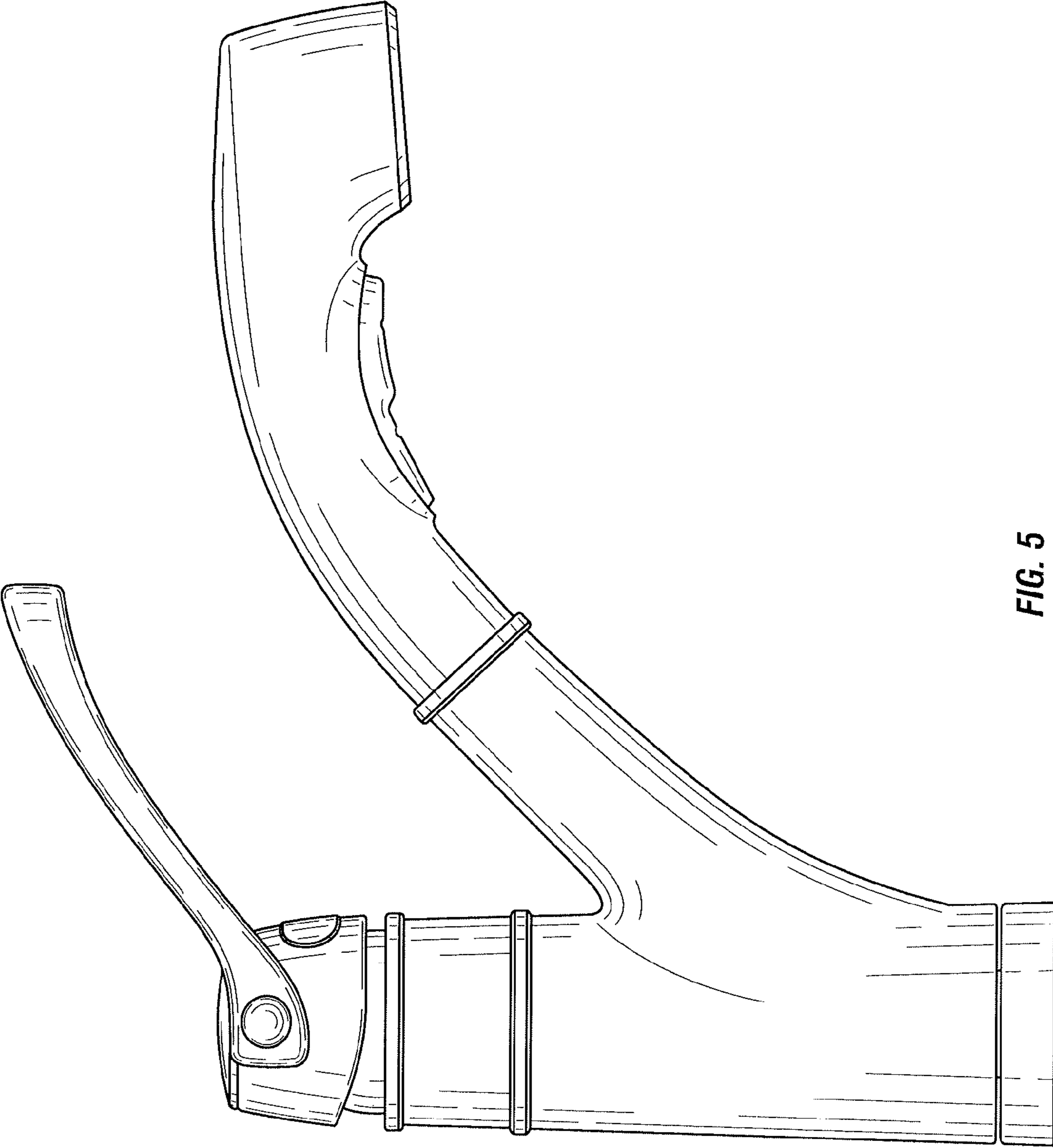
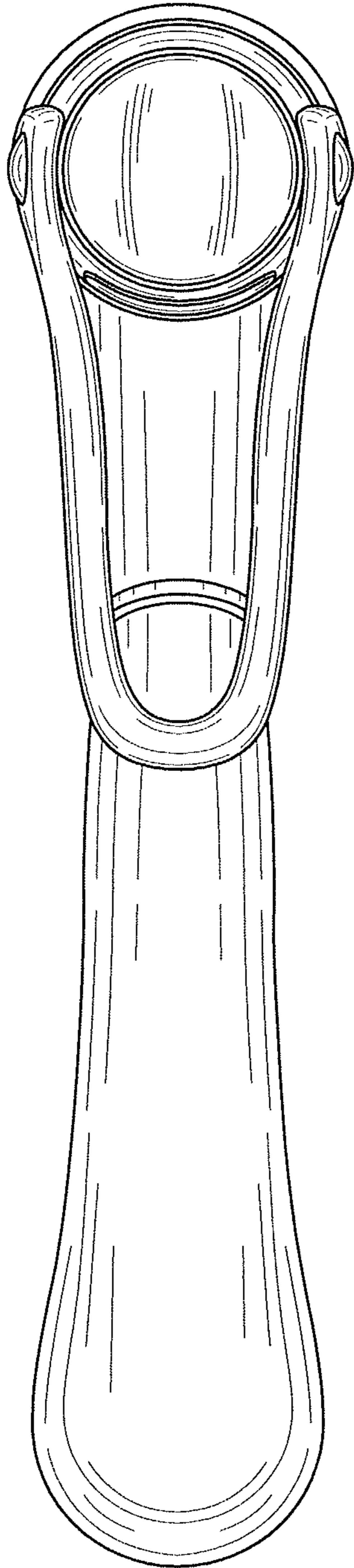
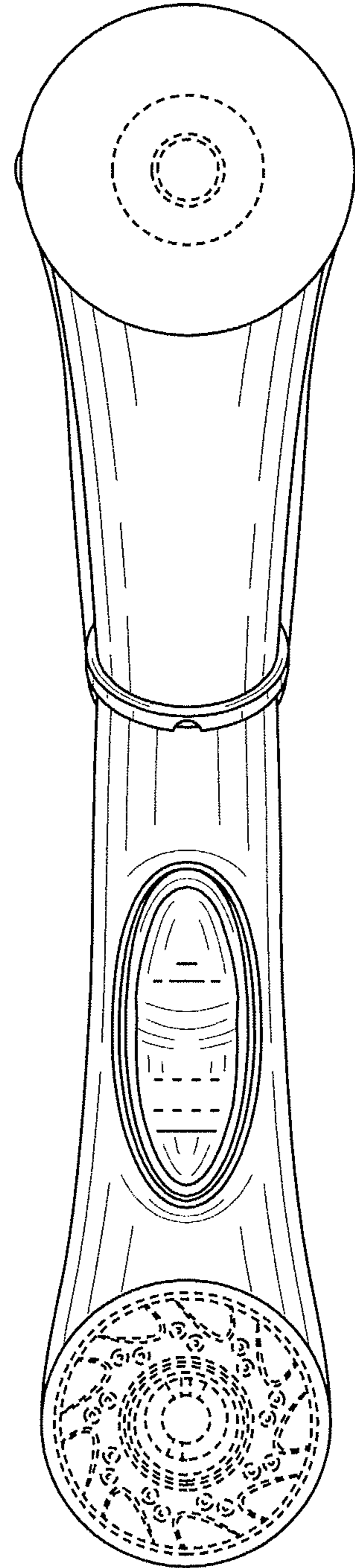


FIG. 5



**FIG. 6**



**FIG. 7**