

US00D737934S

(12) **United States Design Patent**
Sakamoto

(10) **Patent No.:** **US D737,934 S**

(45) **Date of Patent:** **** Sep. 1, 2015**

(54) **PRESSURE REGULATOR**

(71) Applicant: **Shuichi Sakamoto**, Tsukubamirai (JP)

(72) Inventor: **Shuichi Sakamoto**, Tsukubamirai (JP)

(73) Assignee: **SMC Corporation**, Chiyoda-ku, Tokyo (JP)

(**) Term: **14 Years**

(21) Appl. No.: **29/498,209**

(22) Filed: **Aug. 1, 2014**

(30) **Foreign Application Priority Data**

May 16, 2014 (JP) 2014-010513

(51) **LOC (10) Cl.** **23-01**

(52) **U.S. Cl.**
USPC **D23/235**

(58) **Field of Classification Search**
USPC D23/233-269; D10/85, 83; 91/394,
91/395, 407, 408; 92/15-17, 28, 51, 52,
92/68; 137/505.34
CPC F16K 17/00; F16K 1/123; F16K 47/04;
F16K 47/08

See application file for complete search history.

(56) **References Cited**

U.S. PATENT DOCUMENTS

D410,525 S * 6/1999 Uehara et al. D23/235
D416,310 S * 11/1999 Uehara et al. D23/235
D633,986 S * 3/2011 Ito et al. D23/233

D640,153 S * 6/2011 Okitsu et al. D10/85
D640,154 S * 6/2011 Okitsu et al. D10/85
D644,298 S * 8/2011 Okitsu et al. D23/235
D644,299 S * 8/2011 Okitsu et al. D23/235
D717,404 S * 11/2014 Bailey et al. D23/249
2007/0039651 A1* 2/2007 De Leeuw 137/505.34

* cited by examiner

Primary Examiner — Cynthia Ramirez

Assistant Examiner — Gino Colan

(74) *Attorney, Agent, or Firm* — Yokoi & Co., USA;
Toshiyuki Yokoi

(57) **CLAIM**

The ornamental design for a pressure regulator, as shown and described.

DESCRIPTION

FIG. 1 shows a front view of a pressure regulator showing my new design;

FIG. 2 shows a rear view thereof;

FIG. 3 shows a right side view thereof;

FIG. 4 shows a left side view thereof;

FIG. 5 shows a top view thereof;

FIG. 6 shows a bottom view thereof;

FIG. 7 shows a top, front and left side perspective view thereof; and,

FIG. 8 shows a bottom, rear and right side perspective view thereof.

The broken lines in the drawings are included for the purpose of illustrating portions of the pressure regulator and form no part of the claimed design.

1 Claim, 7 Drawing Sheets

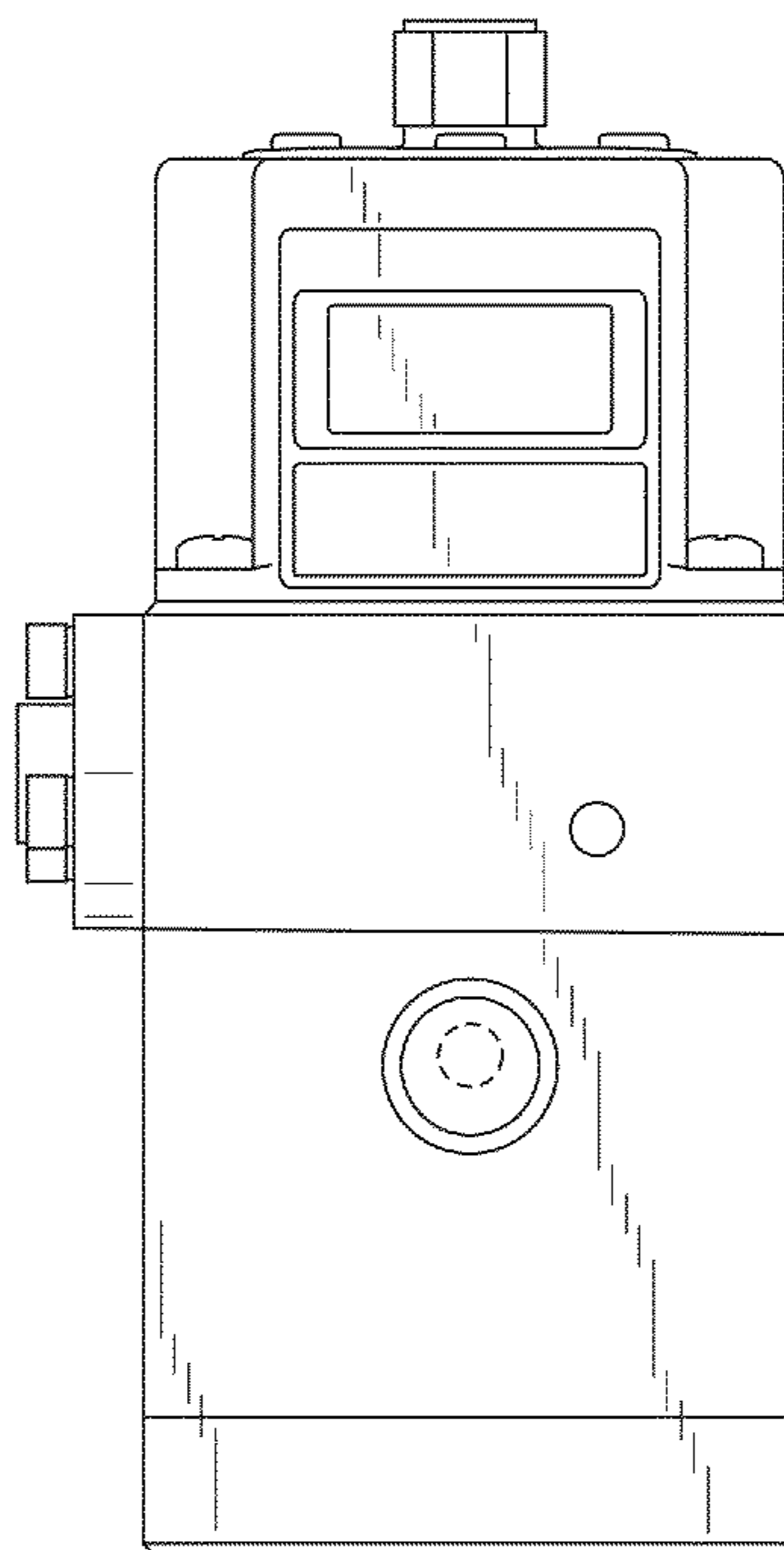


FIG. 1

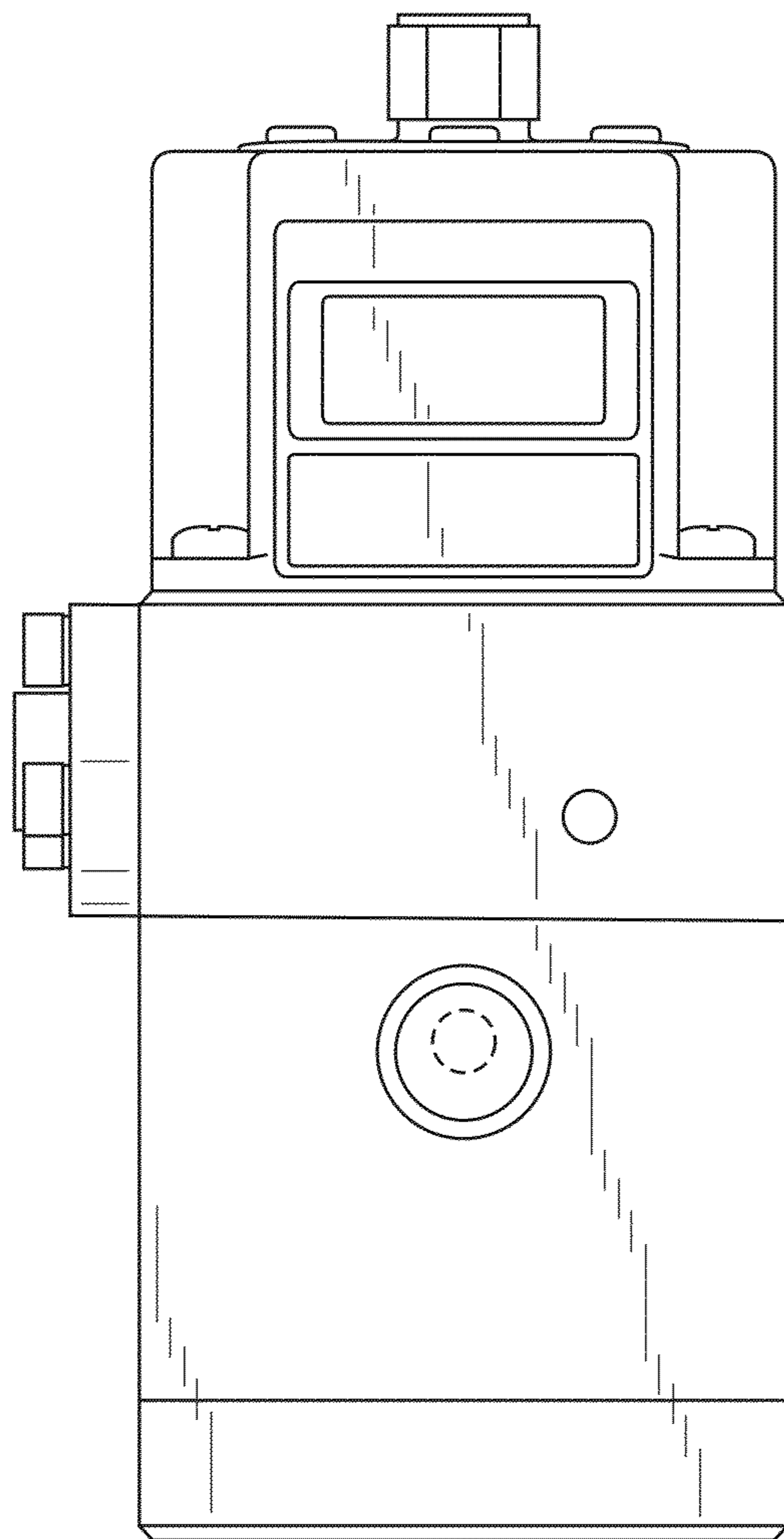


FIG. 2

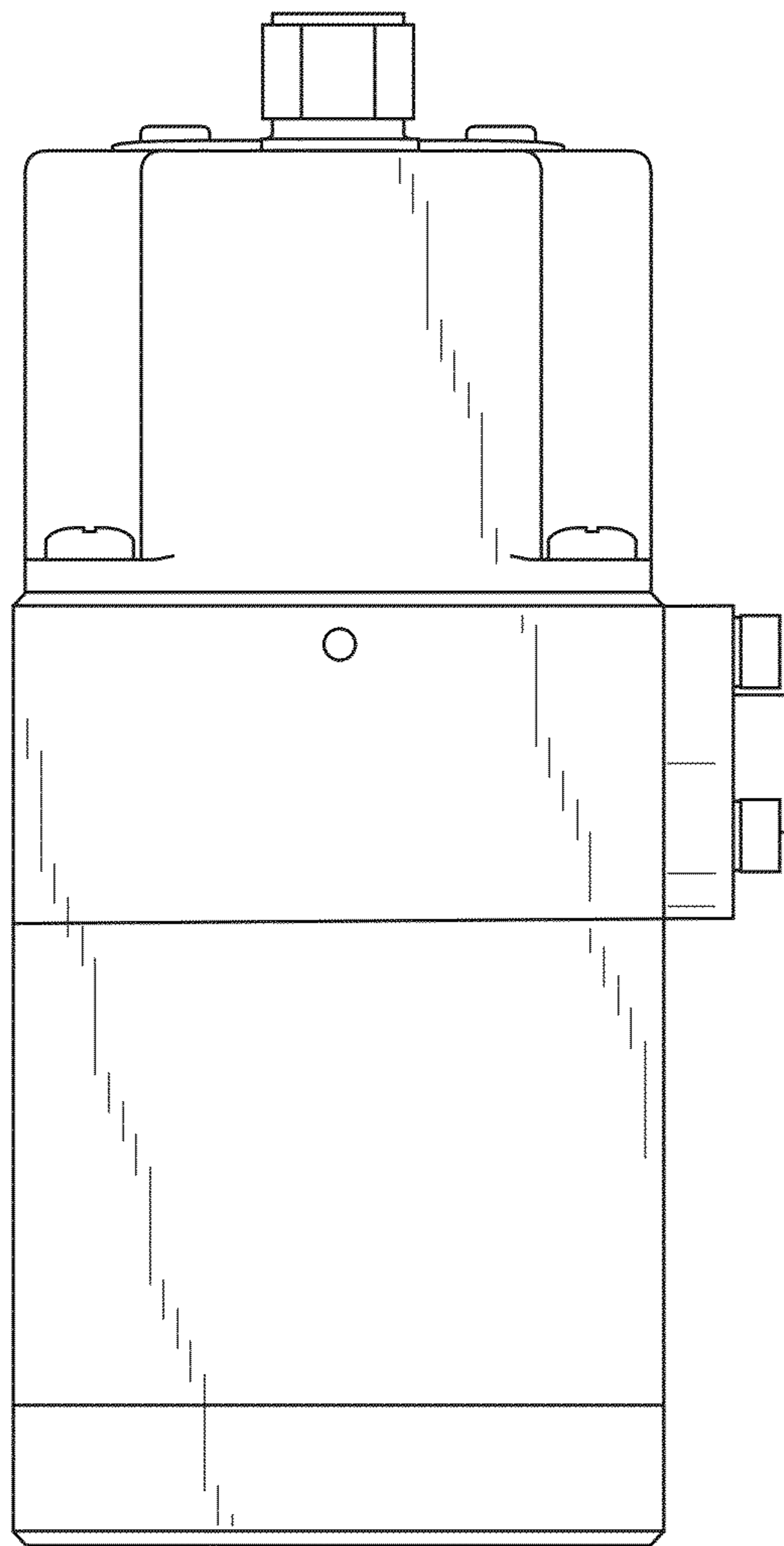


FIG. 3

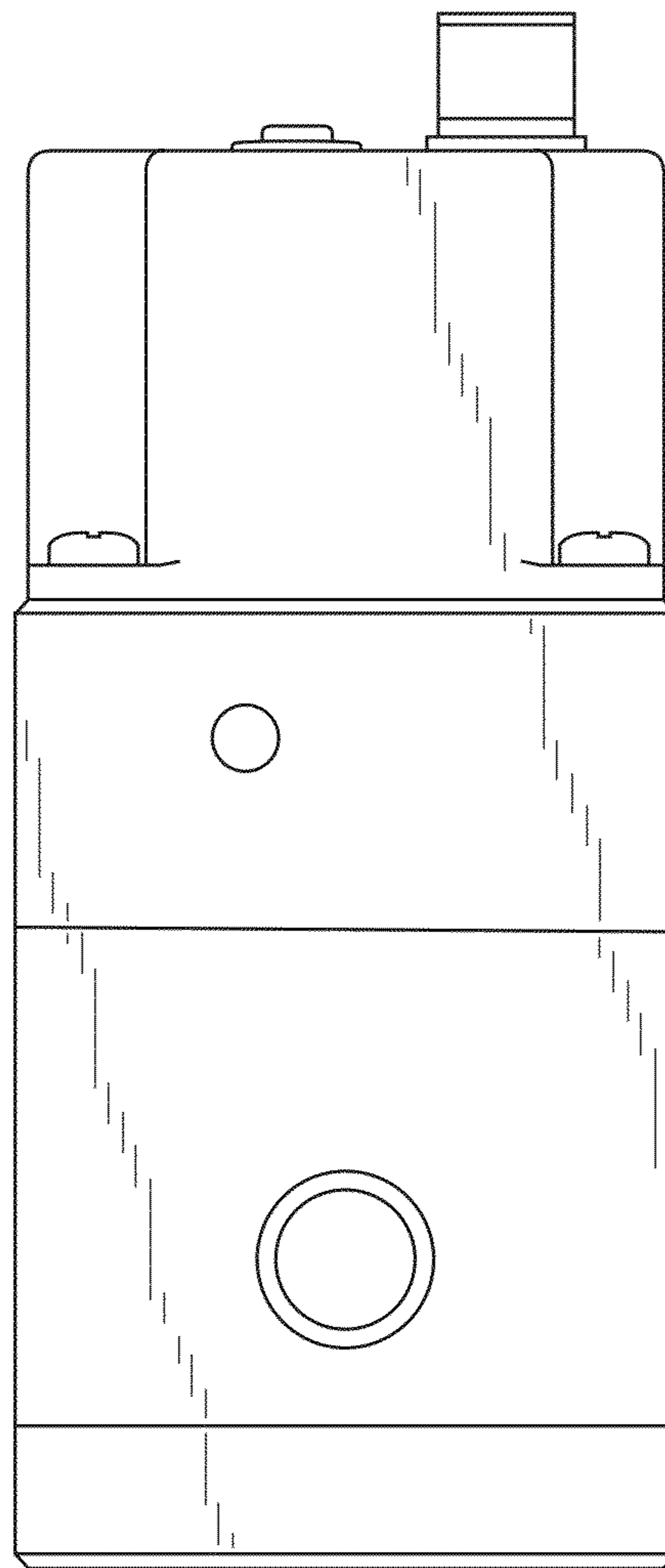


FIG. 4

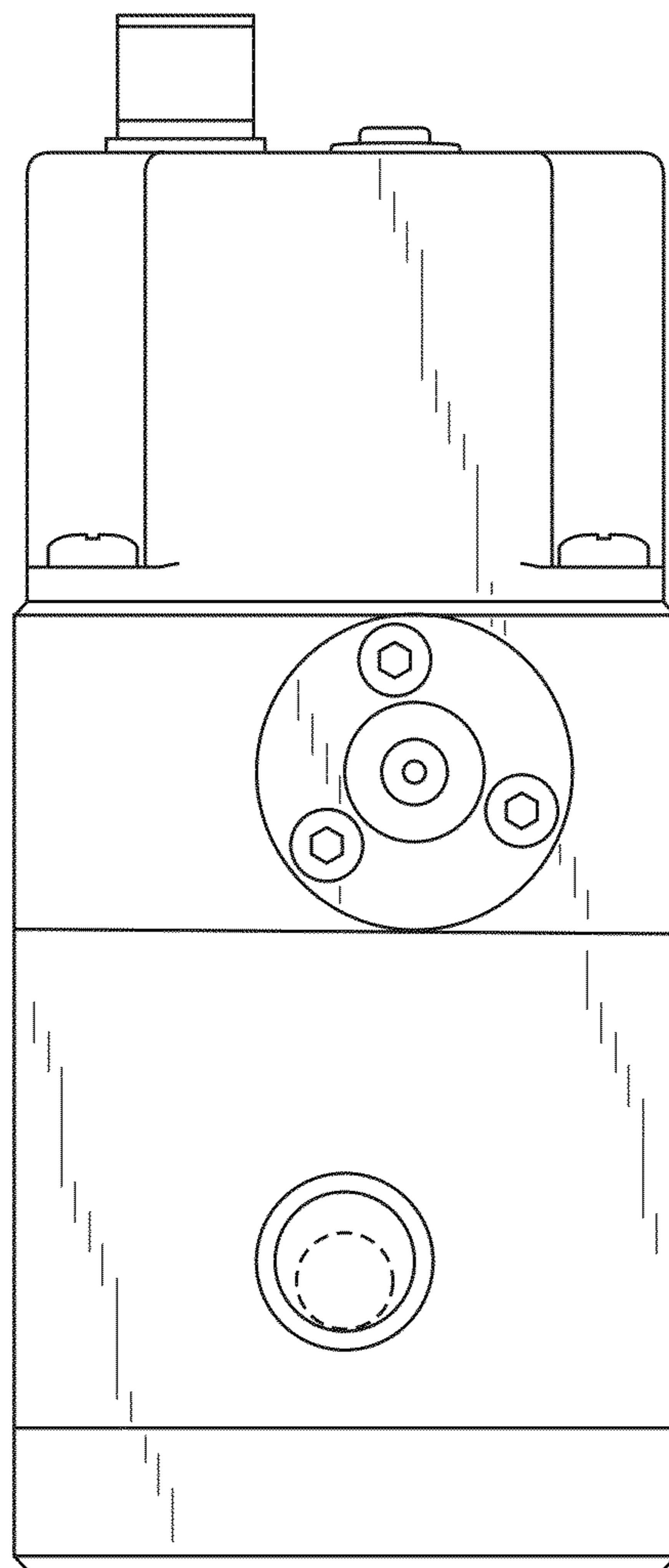


FIG. 5

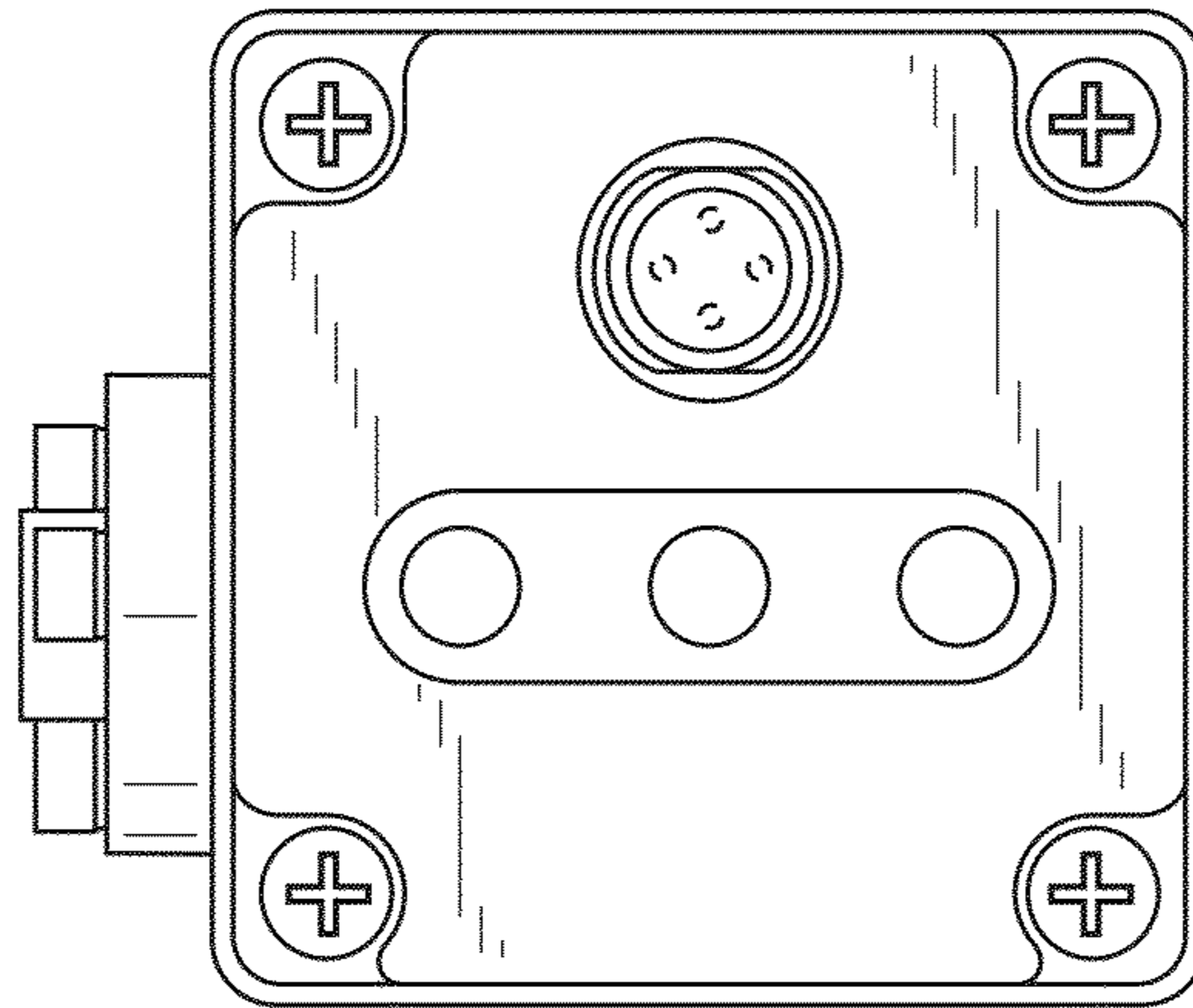


FIG. 6

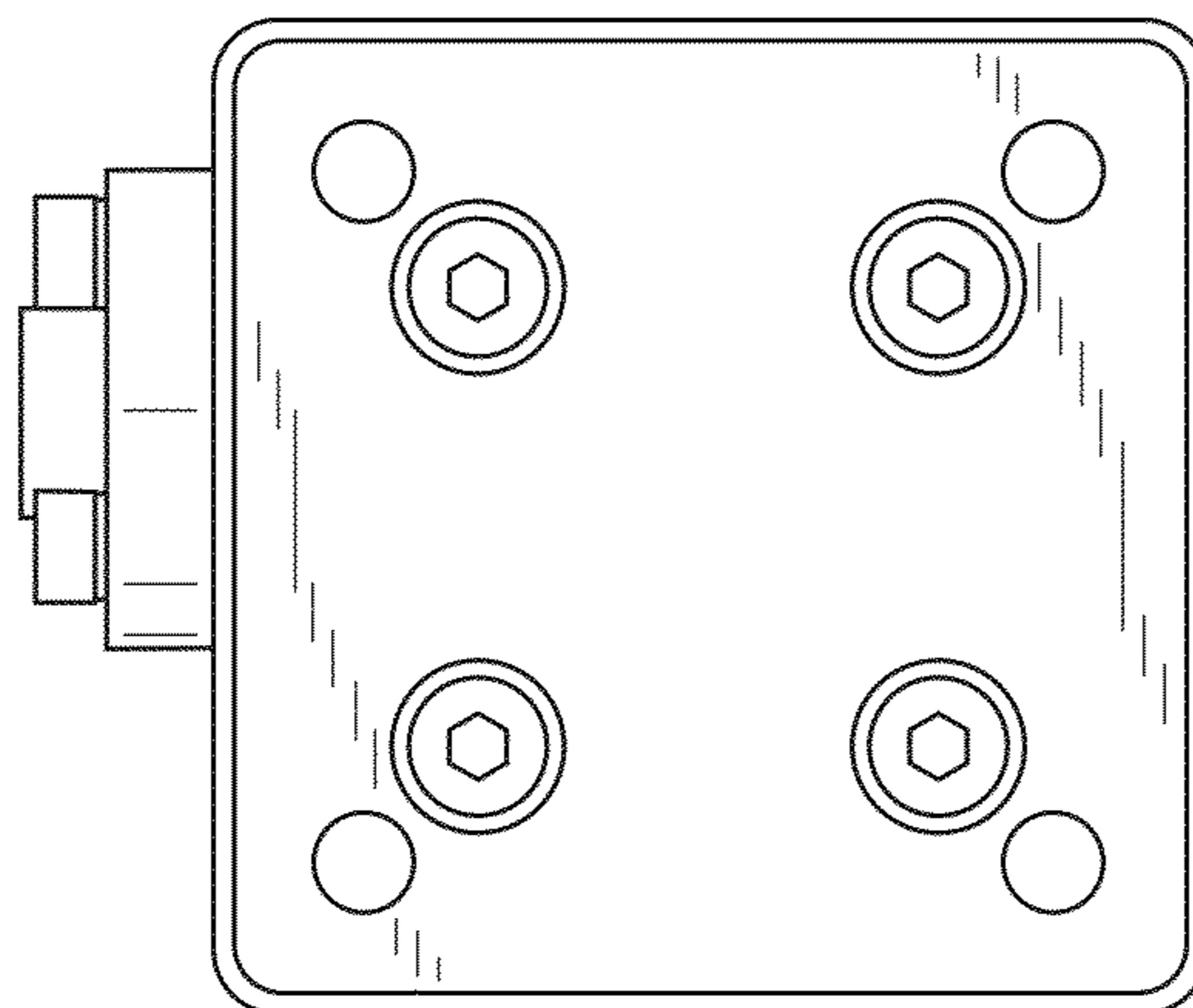


FIG. 7

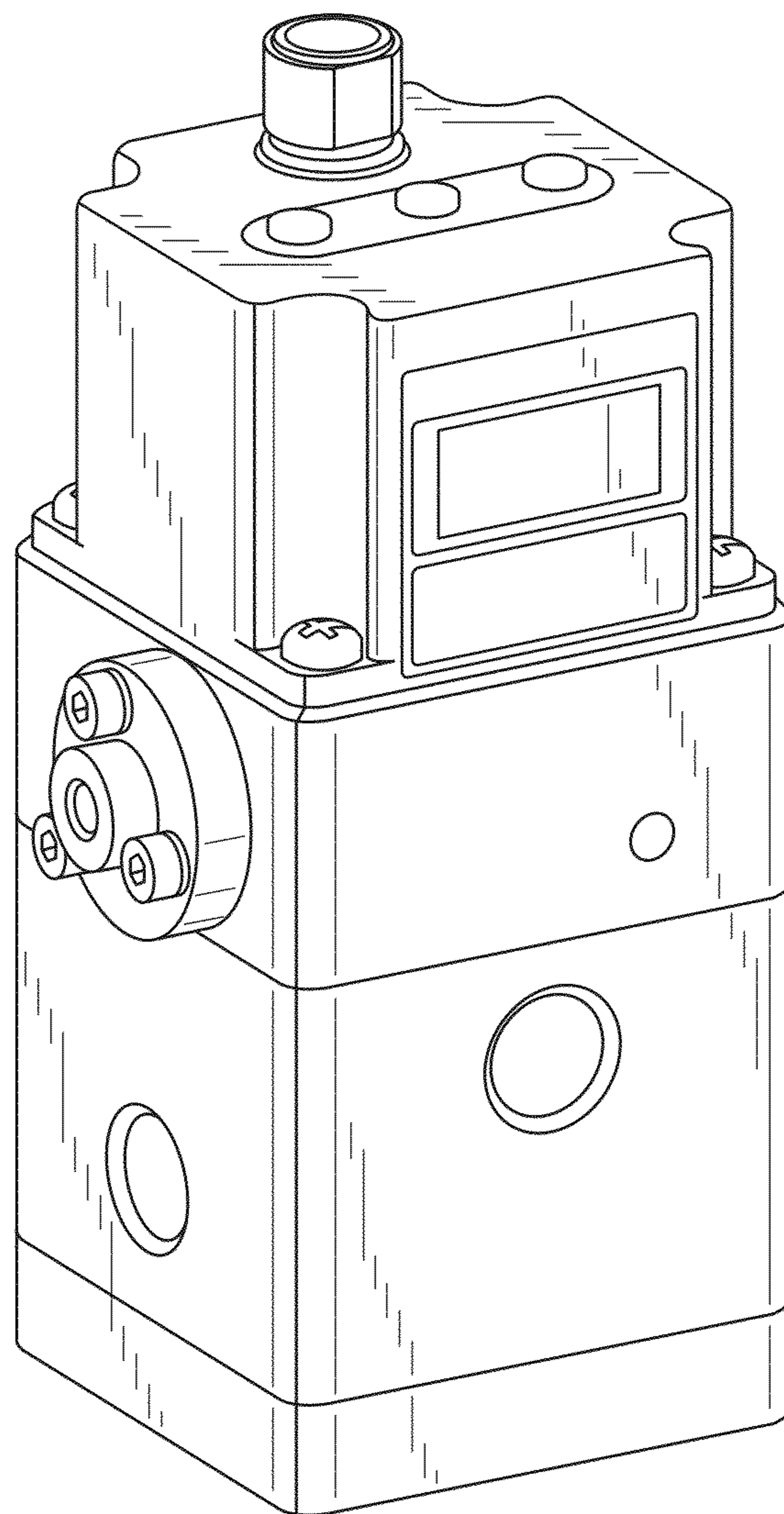


FIG. 8

