



US00D737932S

(12) **United States Design Patent**
Nikles

(10) **Patent No.:** **US D737,932 S**
(45) **Date of Patent:** **** Sep. 1, 2015**

(54) **HAND SHOWER**
(71) Applicant: **Nikles Tec Italia S.r.l.**, Carpenedolo (IT)
(72) Inventor: **Gerhard Nikles**, Carpenedolo (IT)
(73) Assignee: **Nikles Tec Italia S.R.L.**, Carpenedolo,
Brescia (IT)
(**) Term: **14 Years**
(21) Appl. No.: **29/518,301**
(22) Filed: **Feb. 23, 2015**

D659,794 S 5/2012 Flowers et al.
D667,928 S * 9/2012 Cutler et al. D23/223
D668,320 S 10/2012 Weihreter
D672,432 S 12/2012 Spangler
D674,041 S 1/2013 Hanus
D674,046 S 1/2013 Berger et al.
D674,876 S 1/2013 Chibitty
D675,711 S 2/2013 Chibitty
D678,467 S 3/2013 Quinn et al.
D694,361 S 11/2013 Schoenherr et al.
D696,383 S * 12/2013 Miller et al. D23/223
D697,177 S * 1/2014 Schoenherr et al. D23/223
D714,421 S * 9/2014 Flowers et al. D23/223

Related U.S. Application Data

(62) Division of application No. 29/441,835, filed on Jan. 10, 2013, now Pat. No. Des. 723,137.

Foreign Application Priority Data

Jul. 10, 2012 (WO) 679864501
Jul. 10, 2012 (WO) 679864601

(51) **LOC (10) Cl.** **23-01**
(52) **U.S. Cl.**
USPC **D23/223**

(58) **Field of Classification Search**
USPC D23/213, 223, 226, 229, 230; 239/461,
239/462, 282, 283; 4/615
CPC B05B 1/18; B05B 1/00
See application file for complete search history.

(56) **References Cited**

U.S. PATENT DOCUMENTS

D580,010 S 11/2008 Lee
D621,905 S 8/2010 Yoo et al.

FOREIGN PATENT DOCUMENTS

EM 001626458-0001 10/2009
EM 001772203-0001 10/2010

* cited by examiner

Primary Examiner — Robin V Webster

(74) *Attorney, Agent, or Firm* — Davis & Bujold, P.L.L.C.;
Michael J. Bujold

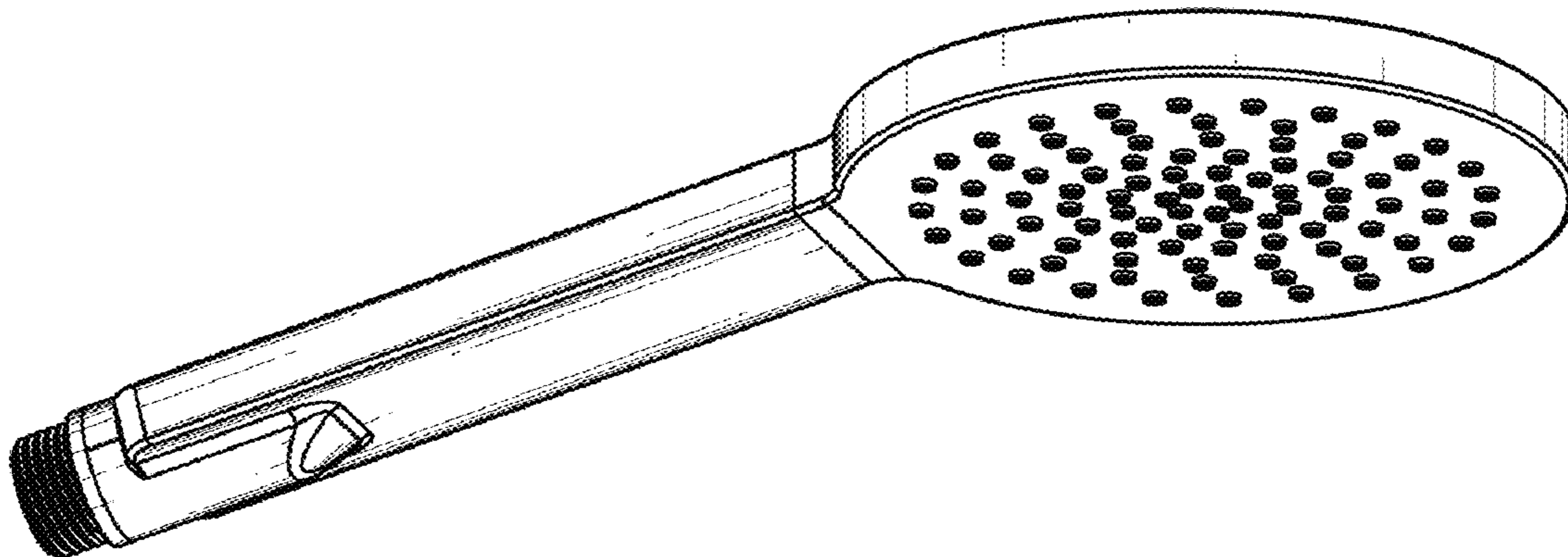
(57) **CLAIM**

The ornamental design for a hand shower, as shown and described.

DESCRIPTION

FIG. 1 is a perspective front view of a hand shower, showing my new design from the bottom, right side and front; FIG. 2 is a left side elevational view thereof; FIG. 3 is a right side elevational view thereof; FIG. 4 is a front elevational view thereof; FIG. 5 is a top plan view thereof; and, FIG. 6 is a bottom plan view thereof.

1 Claim, 6 Drawing Sheets



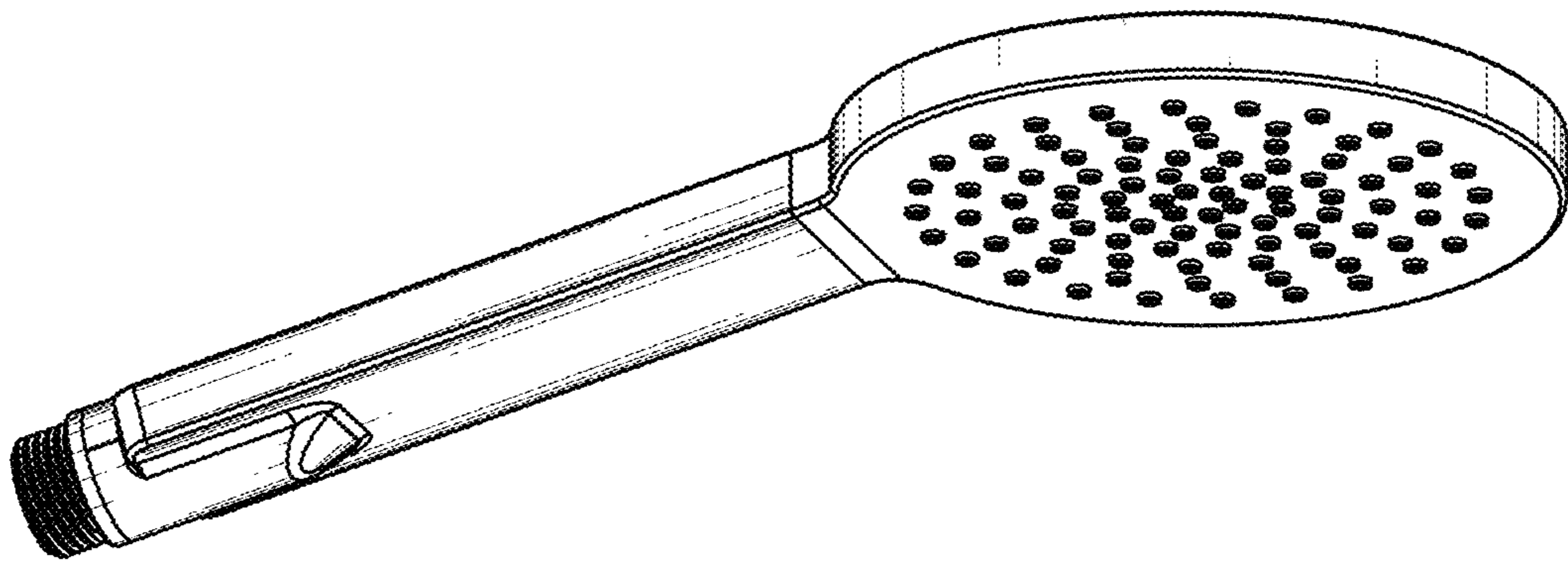


Fig. 1

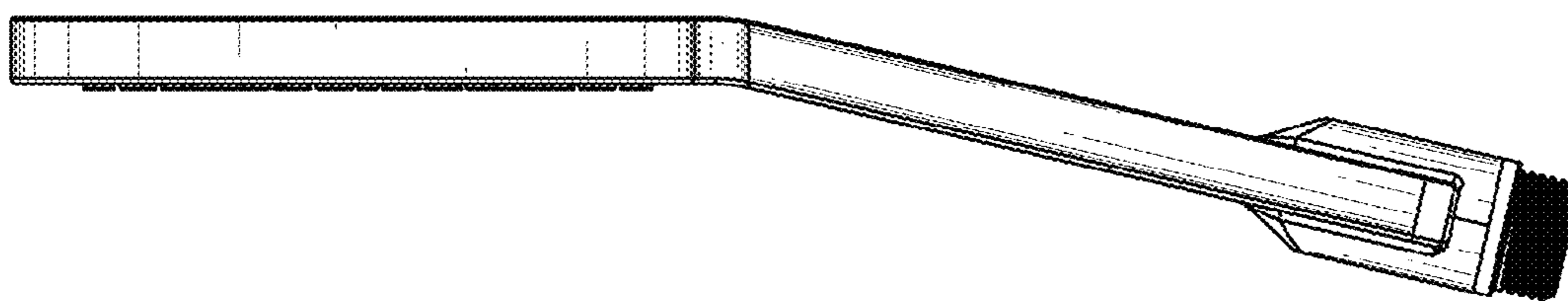


Fig. 2

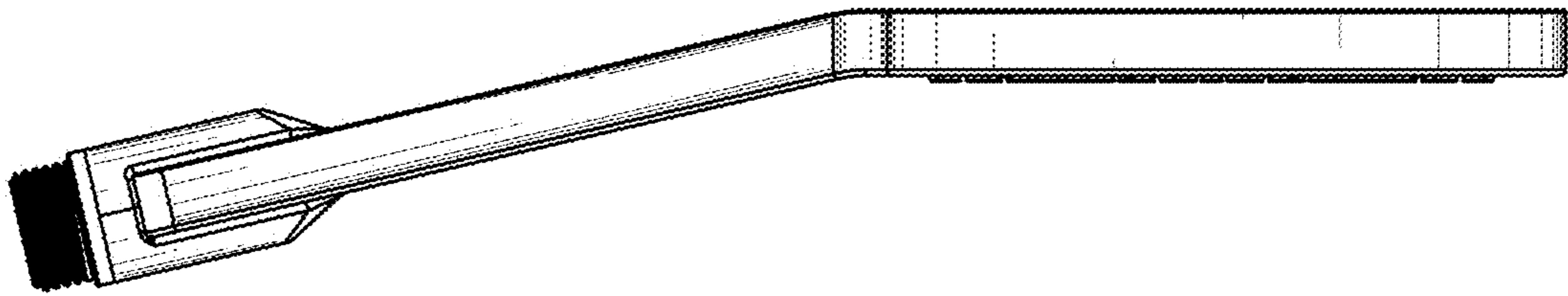


Fig. 3

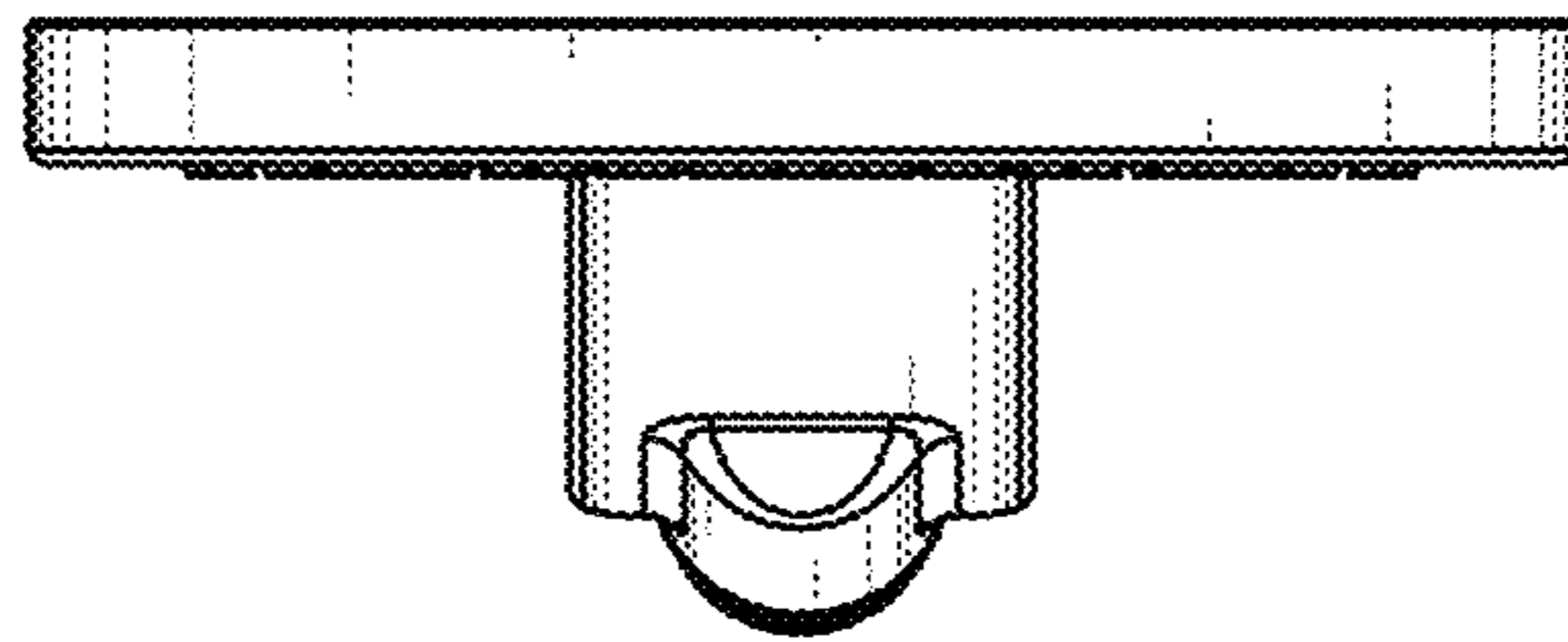


Fig. 4

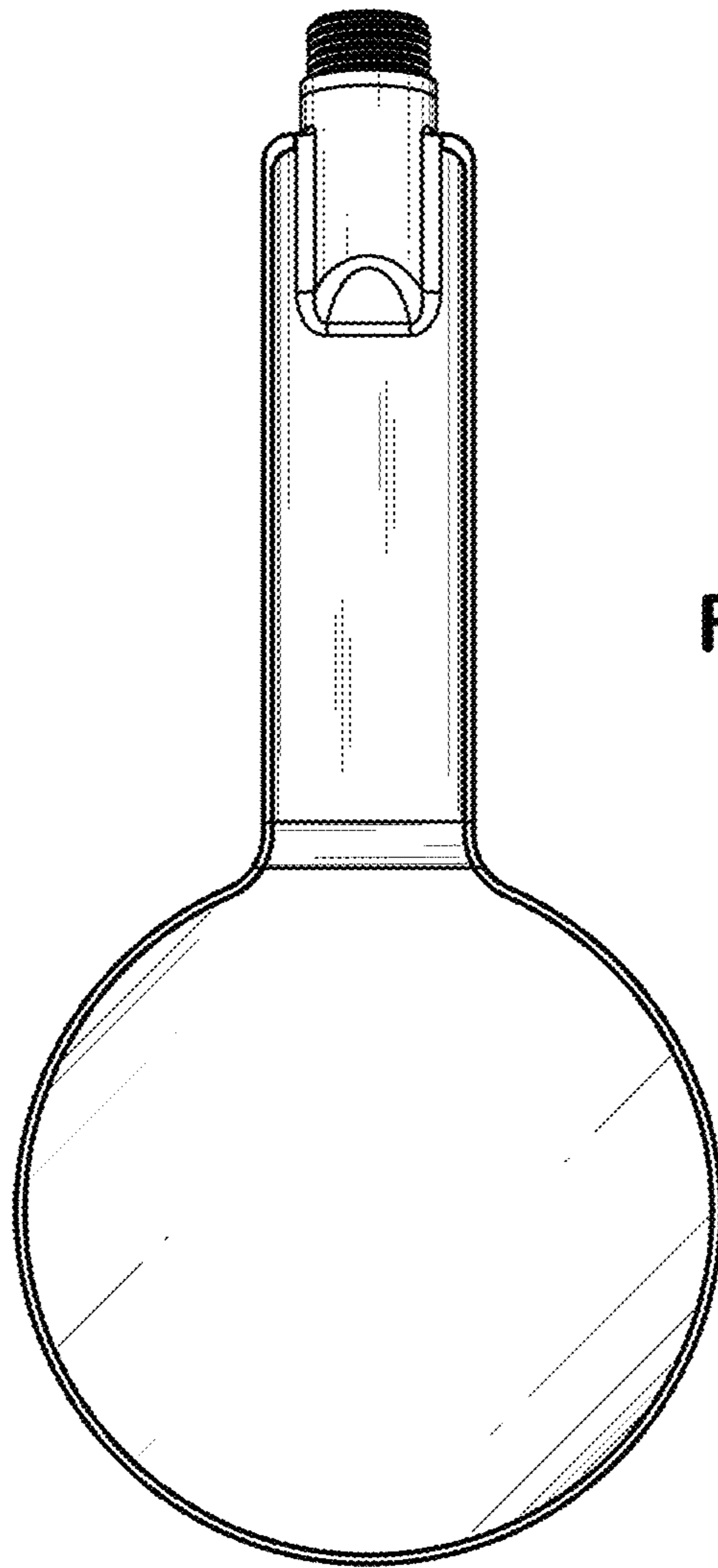


Fig. 5

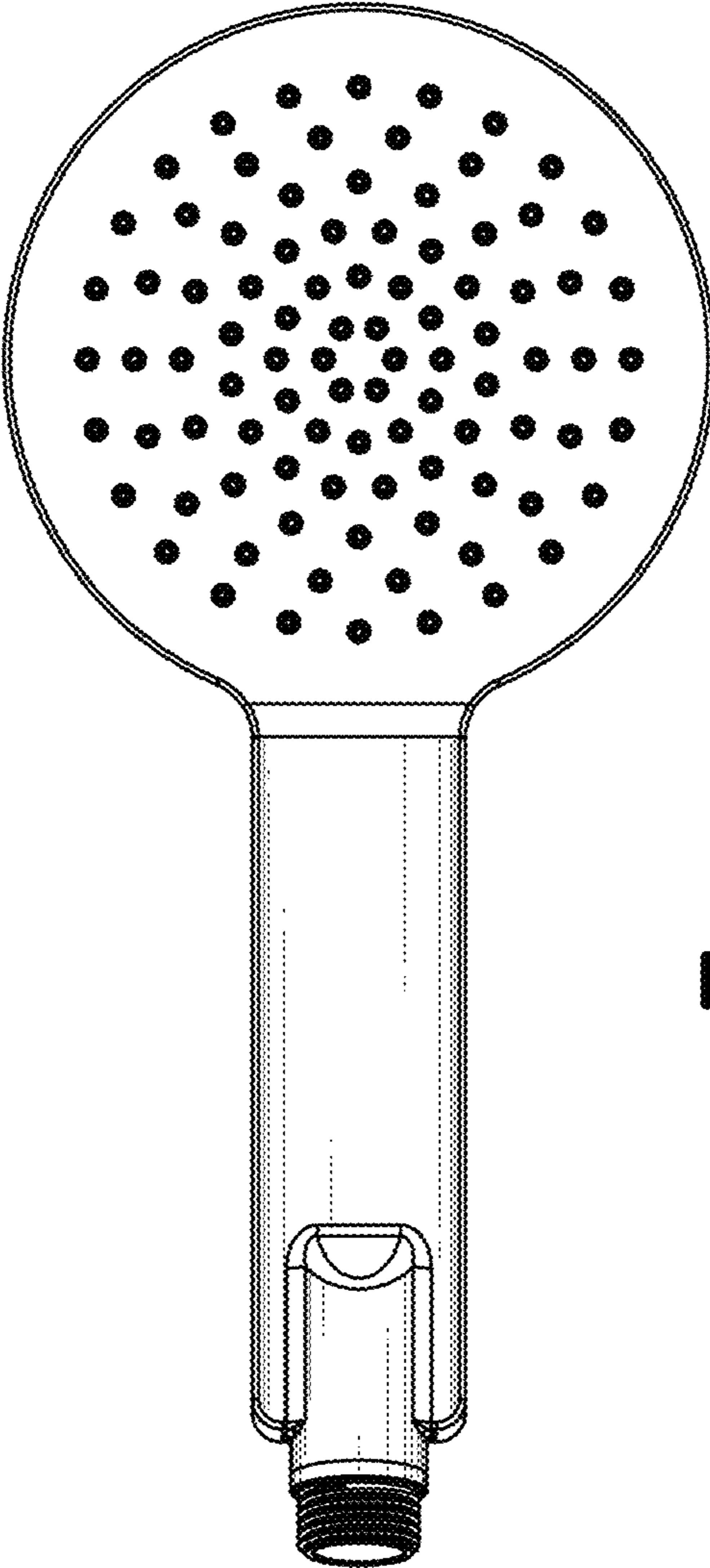


Fig. 6