



US00D737931S

(12) **United States Design Patent**
Schoenherr et al.

(10) **Patent No.:** **US D737,931 S**
(45) **Date of Patent:** **** Sep. 1, 2015**

(54) **HANDSHOWER**

D696,383 S * 12/2013 Miller et al. D23/223
D697,177 S * 1/2014 Schoenherr et al. D23/223
D714,421 S * 9/2014 Flowers et al. D23/223

(71) Applicant: **Hansgrohe SE**, Schiltach (DE)

(72) Inventors: **Tom Schoenherr**, Stuttgart (DE);
Matthias Oesterle, Winterbach (DE)

(73) Assignee: **Hansgrohe SE**, Schiltach (DE)

(**) Term: **14 Years**

(21) Appl. No.: **29/497,671**

(22) Filed: **Jul. 28, 2014**

(30) **Foreign Application Priority Data**

Feb. 14, 2014 (EM) 001403273-0001

(51) **LOC (10) Cl.** **23-01**

(52) **U.S. Cl.**
USPC **D23/223**

(58) **Field of Classification Search**
USPC D23/213, 223, 226, 229, 230; 239/461,
239/462, 282, 283; 4/615
CPC B05B 1/18; B05B 1/00
See application file for complete search history.

(56) **References Cited**

U.S. PATENT DOCUMENTS

D497,974 S 11/2004 Haug et al.
D667,928 S * 9/2012 Cutler et al. D23/223

FOREIGN PATENT DOCUMENTS

DE 402008005212-0001 6/2009
EM 001384150-0009 9/2013

* cited by examiner

Primary Examiner — Robin V Webster

(74) *Attorney, Agent, or Firm* — Lora J. Graentzdoerffer

(57) **CLAIM**

The ornamental design for a handshower, as shown and described.

DESCRIPTION

FIG. 1 is a perspective view of a handshower showing our design;

FIG. 2 is a front elevational view;

FIG. 3 is a rear elevational view;

FIG. 4 is a left side elevational view; wherein the right side elevational view is a mirror image;

FIG. 5 is a top plan view; and,

FIG. 6 is a bottom plan view.

The broken-line disclosure in the views represents portions of the article in which the claimed design is embodied, but which form no part of the claimed design.

1 Claim, 6 Drawing Sheets

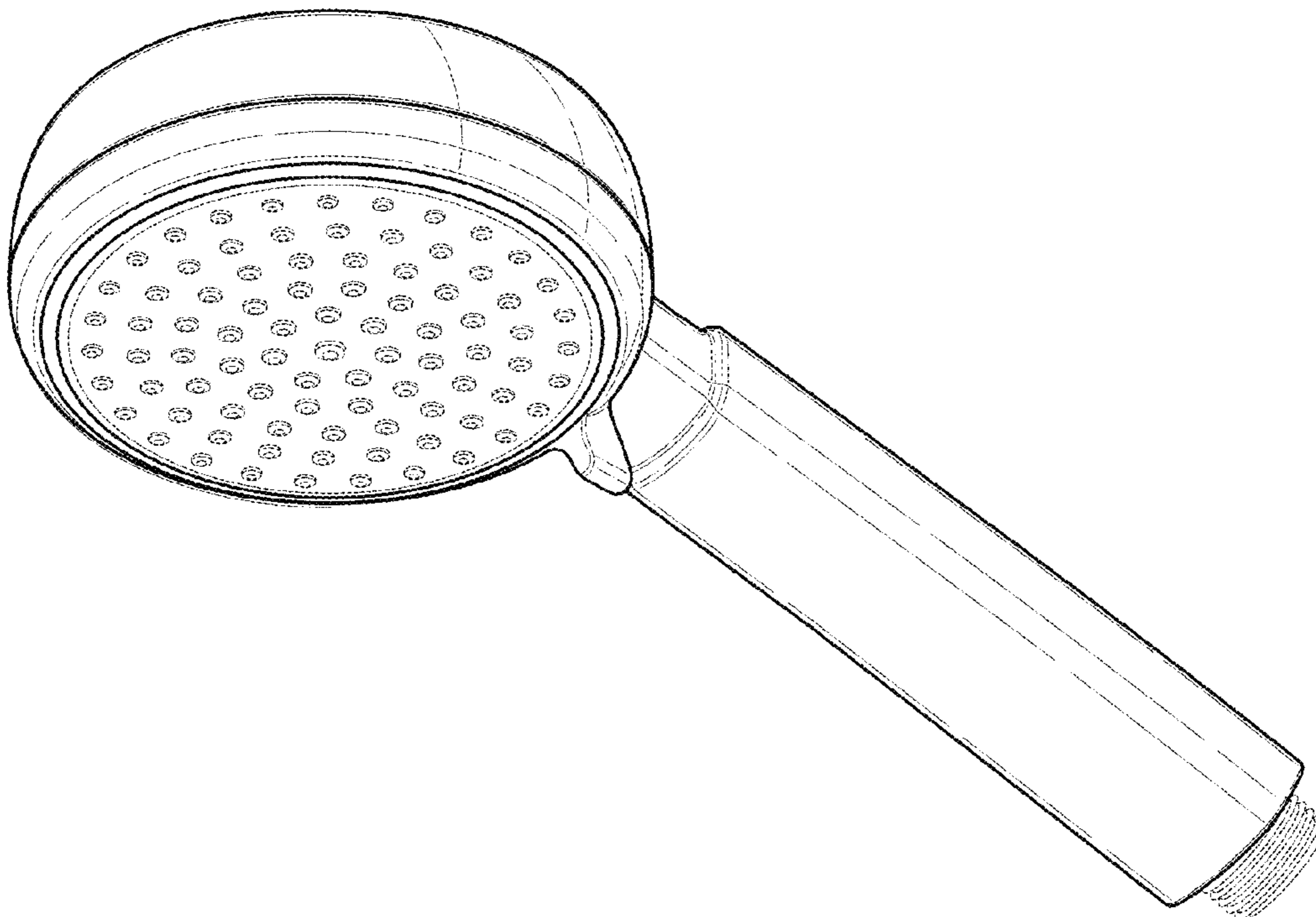


FIG. 1

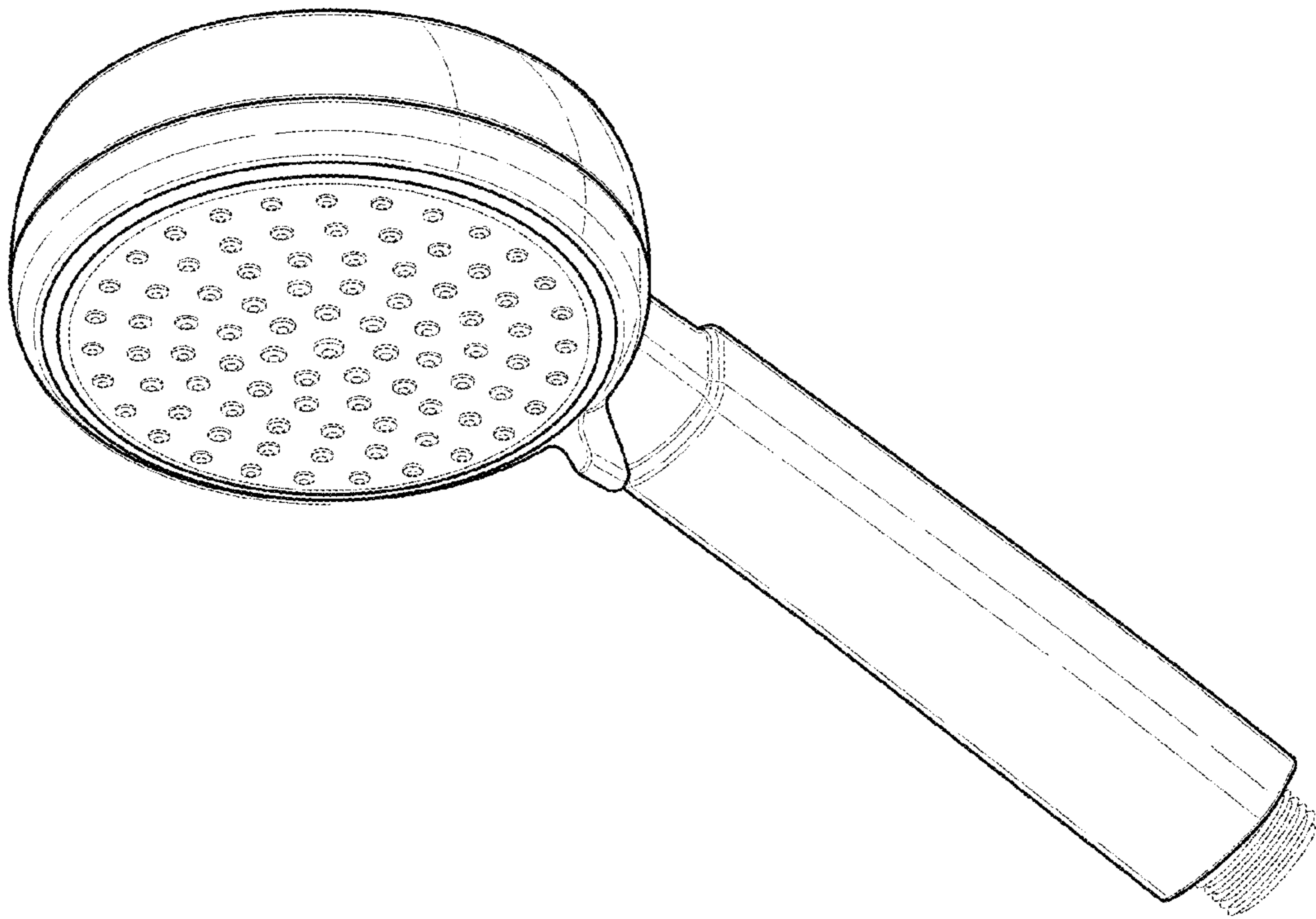


FIG. 2

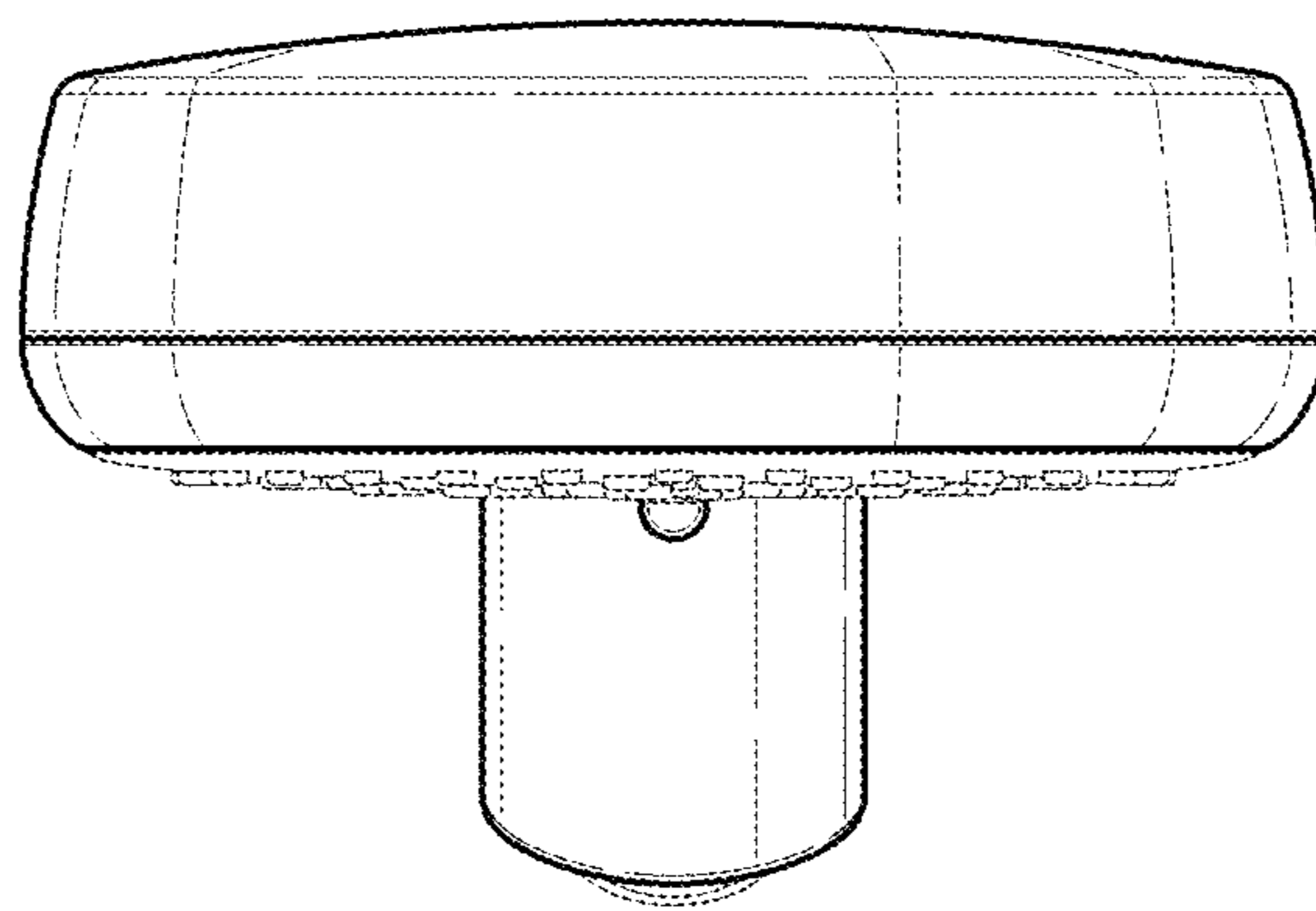


FIG. 3

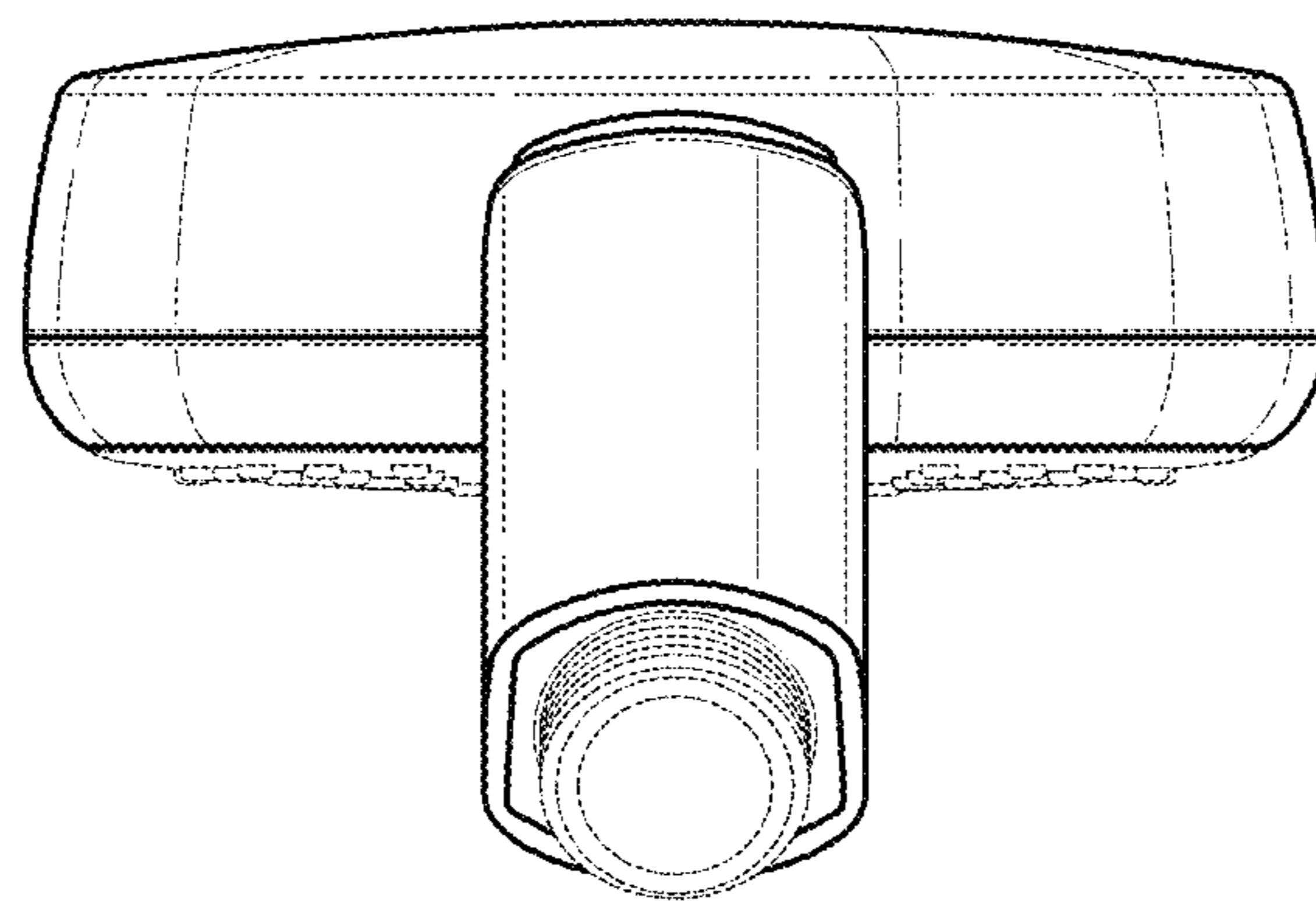


FIG. 4

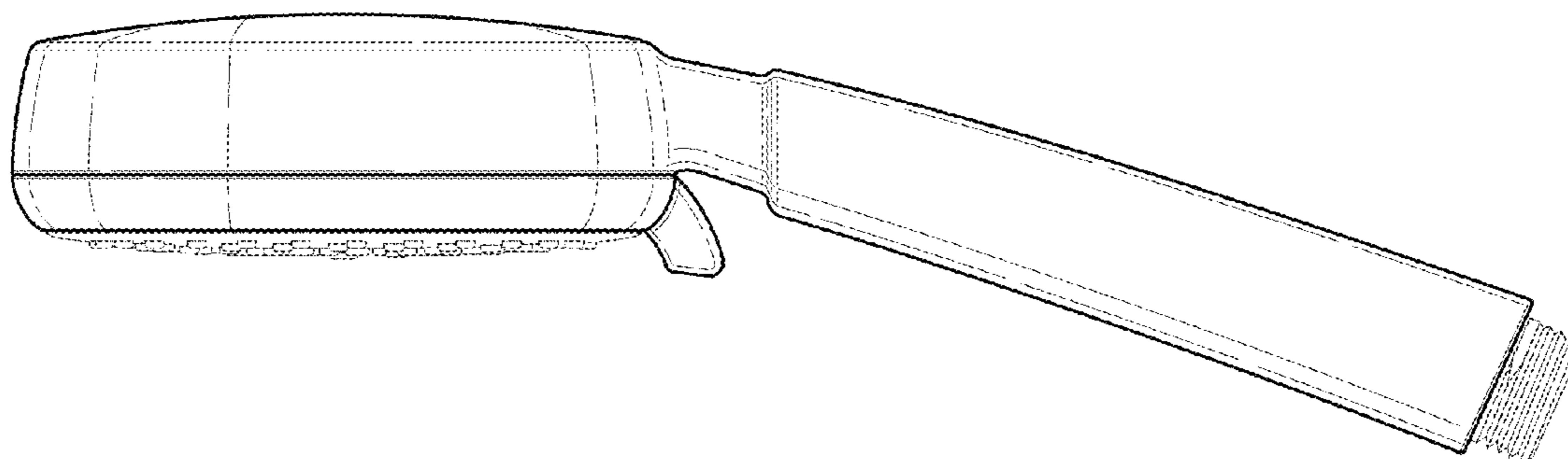


FIG. 5

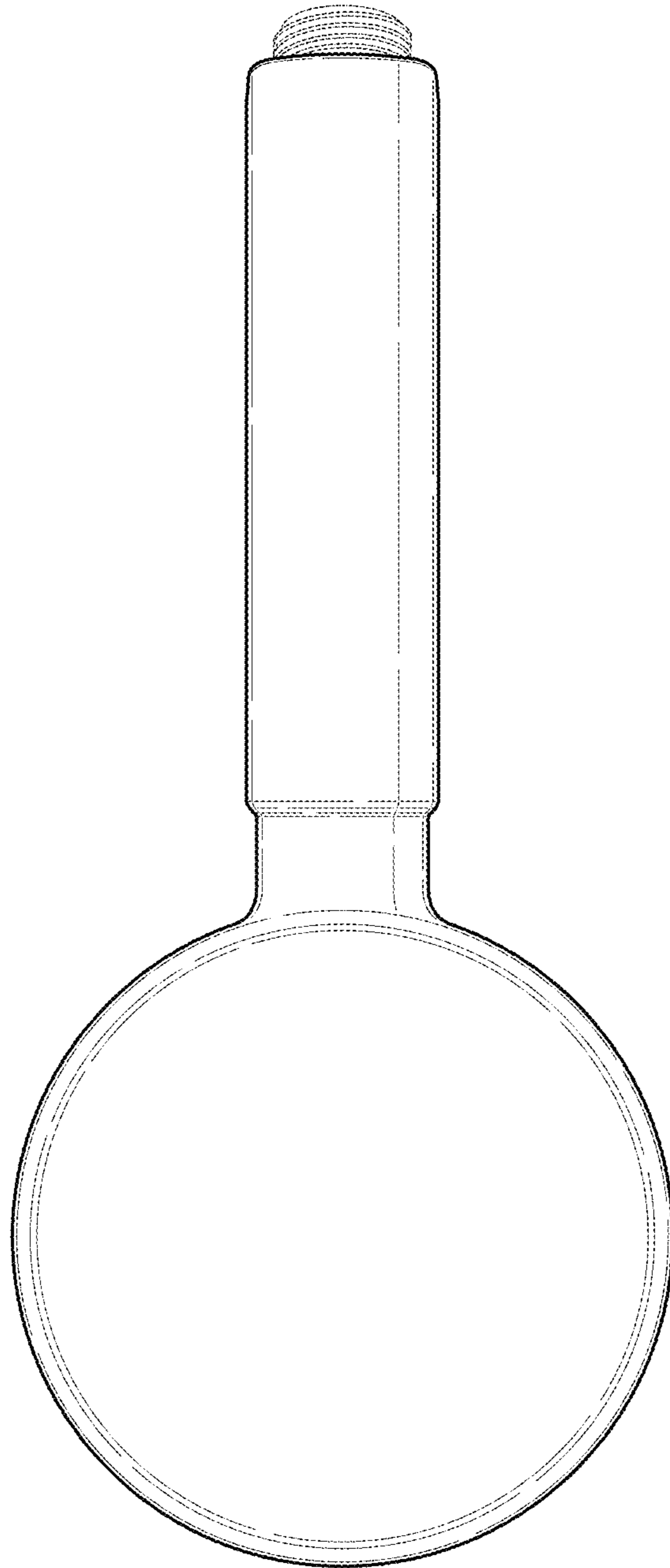


FIG. 6

