



US00D737927S

(12) **United States Design Patent**
DiTullio

(10) **Patent No.:** **US D737,927 S**
(45) **Date of Patent:** **** Sep. 1, 2015**

(54) **STORMWATER CHAMBER**
(71) Applicant: **Robert J. DiTullio**, Warren, CT (US)
(72) Inventor: **Robert J. DiTullio**, Warren, CT (US)
(**) Term: **14 Years**

(21) Appl. No.: **29/490,783**
(22) Filed: **May 13, 2014**
(51) **LOC (10) Cl.** **23-01**
(52) **U.S. Cl.**
USPC **D23/207**
(58) **Field of Classification Search**
USPC D23/207, 209; 405/42, 43, 46, 48, 49;
210/170.03
See application file for complete search history.

(56) **References Cited**

U.S. PATENT DOCUMENTS

| | | | | |
|--------------|---------|----------|-------|---------|
| D329,684 S * | 9/1992 | Gray | | D23/207 |
| 6,322,288 B1 | 11/2001 | DiTullio | | |
| D474,524 S * | 5/2003 | Benecke | | D23/207 |
| D477,381 S * | 7/2003 | Benecke | | D23/207 |
| D537,912 S * | 3/2007 | Benecke | | D23/207 |
| D538,387 S * | 3/2007 | Benecke | | D23/207 |
| 7,226,241 B2 | 6/2007 | DiTullio | | |
| 7,637,691 B1 | 12/2009 | DiTullio | | |
| D613,819 S | 4/2010 | DiTullio | | |
| 7,806,627 B2 | 10/2010 | DiTullio | | |

| | | | | |
|----------------|---------|-----------------|-------|---------|
| D630,294 S * | 1/2011 | Hardesty et al. | | D23/207 |
| D638,094 S | 5/2011 | DiTullio | | |
| D638,095 S | 5/2011 | DiTullio | | |
| D668,318 S | 10/2012 | DiTullio | | |
| 8,366,346 B2 | 2/2013 | DiTullio | | |
| 8,414,222 B2 | 4/2013 | DiTullio | | |
| 8,425,148 B2 | 4/2013 | DiTullio | | |
| 8,672,583 B1 * | 3/2014 | Mailhot et al. | | 405/46 |

* cited by examiner

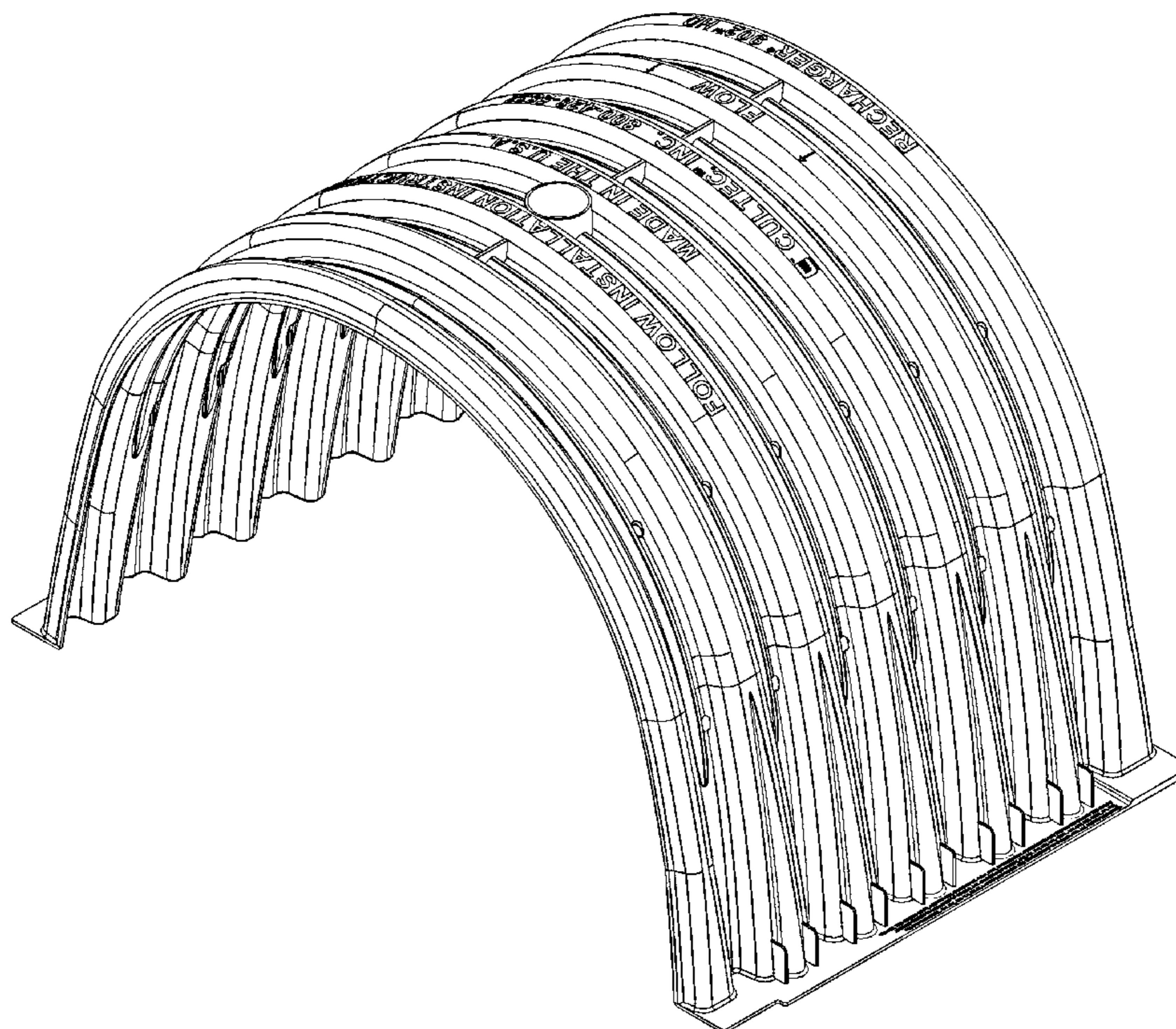
Primary Examiner — Robin V Webster
(74) *Attorney, Agent, or Firm* — St. Onge Steward Johnston & Reens LLC

(57) **CLAIM**
The ornamental design for a stormwater chamber, as shown and described.

DESCRIPTION

FIG. 1 is a front left side perspective view of a stormwater chamber in accordance with the new design; FIG. 2 is a left side elevational view thereof; FIG. 3 is a right side elevational view thereof; FIG. 4 is a front elevational view thereof; FIG. 5 is a rear elevational view thereof; FIG. 6 is a top plan view thereof; FIG. 7 is a bottom plan view thereof; and, FIG. 8 is a rear right side perspective view thereof. The trademarks C and 902 forming part of the claimed design are owned by Cultec, Inc. The trademarks CULTEC and RECHARGER forming part of the claimed design are owned by Robert J. DiTullio, Sr.

1 Claim, 8 Drawing Sheets



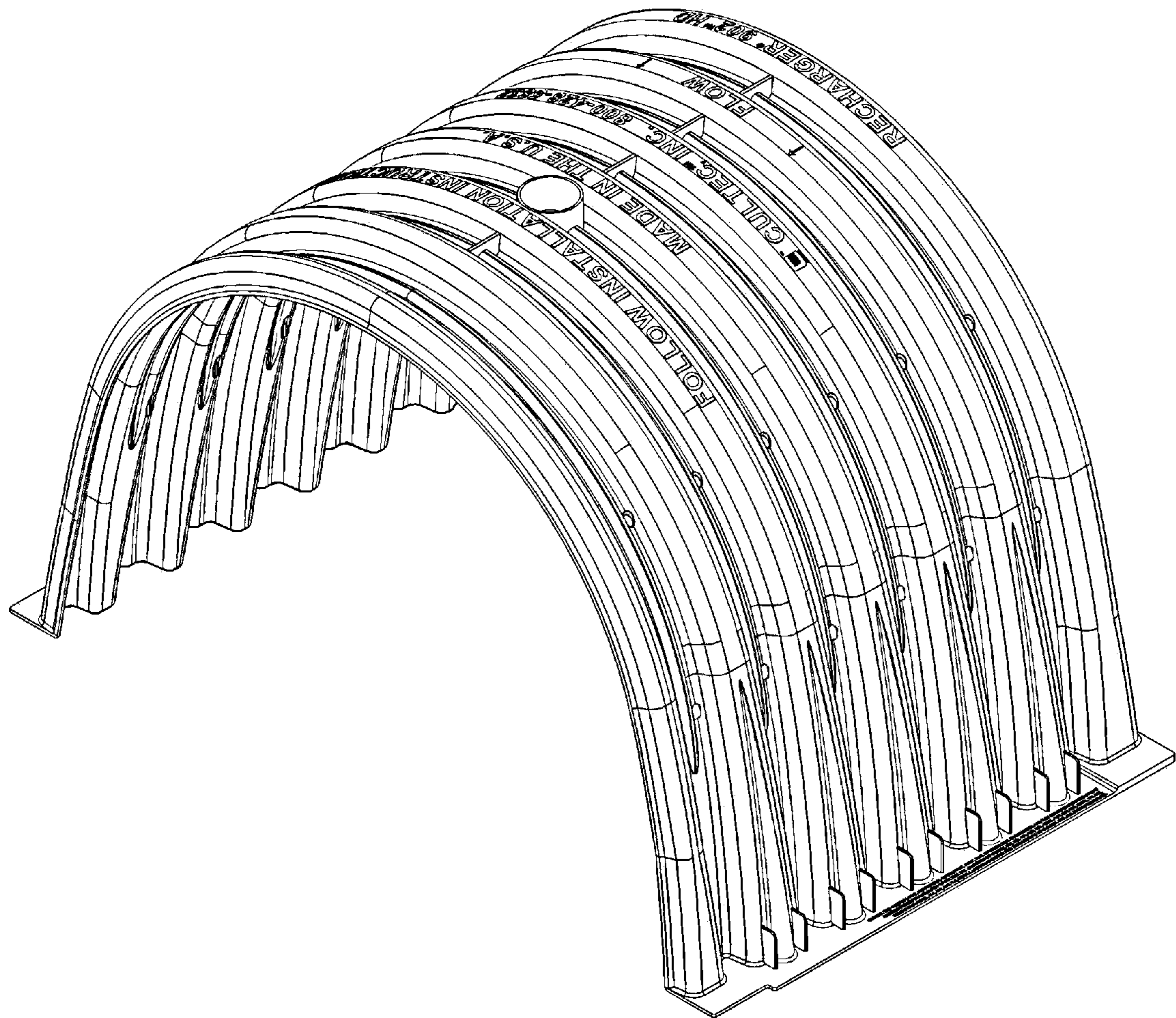


FIG. 1

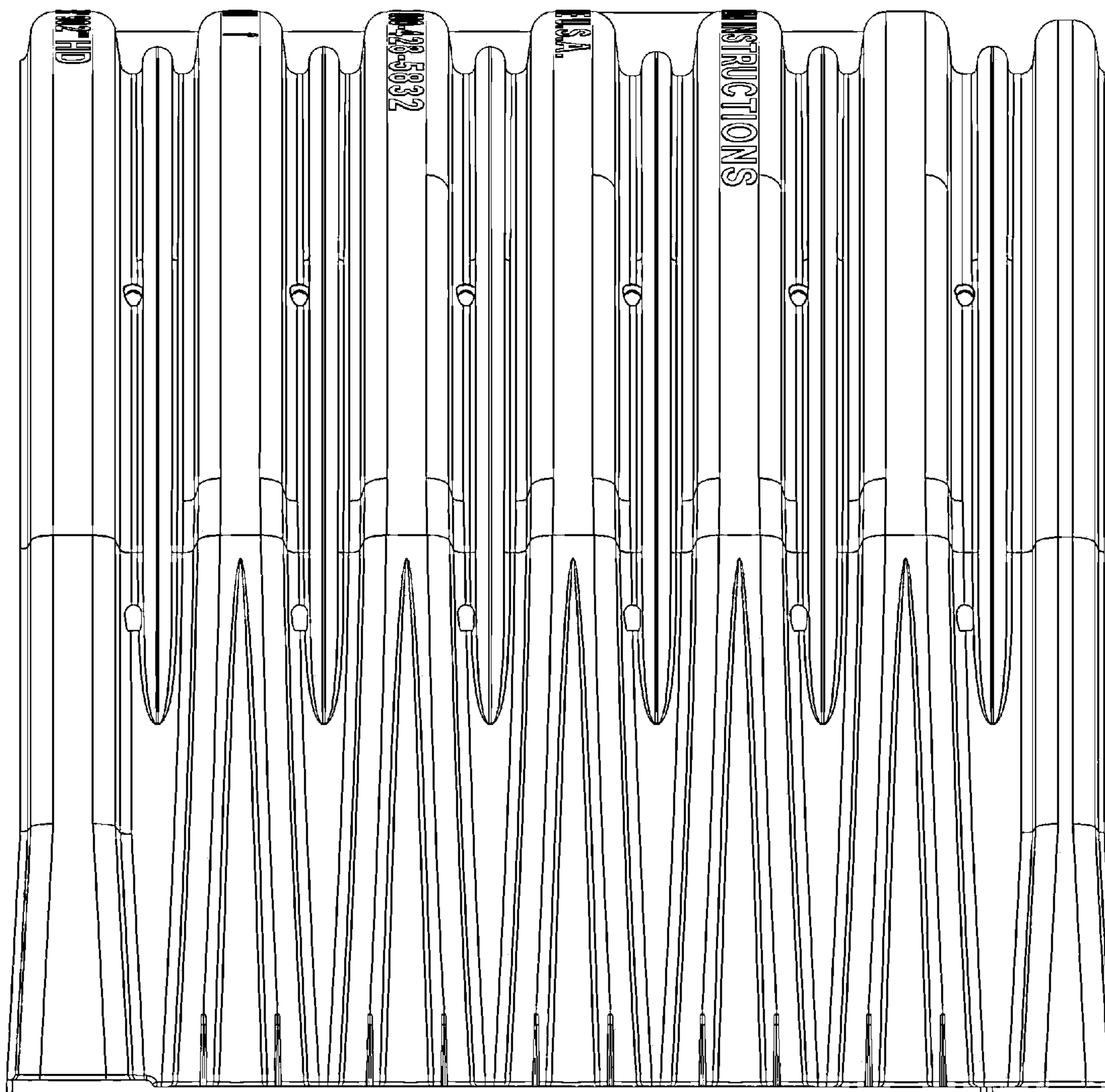


FIG. 2

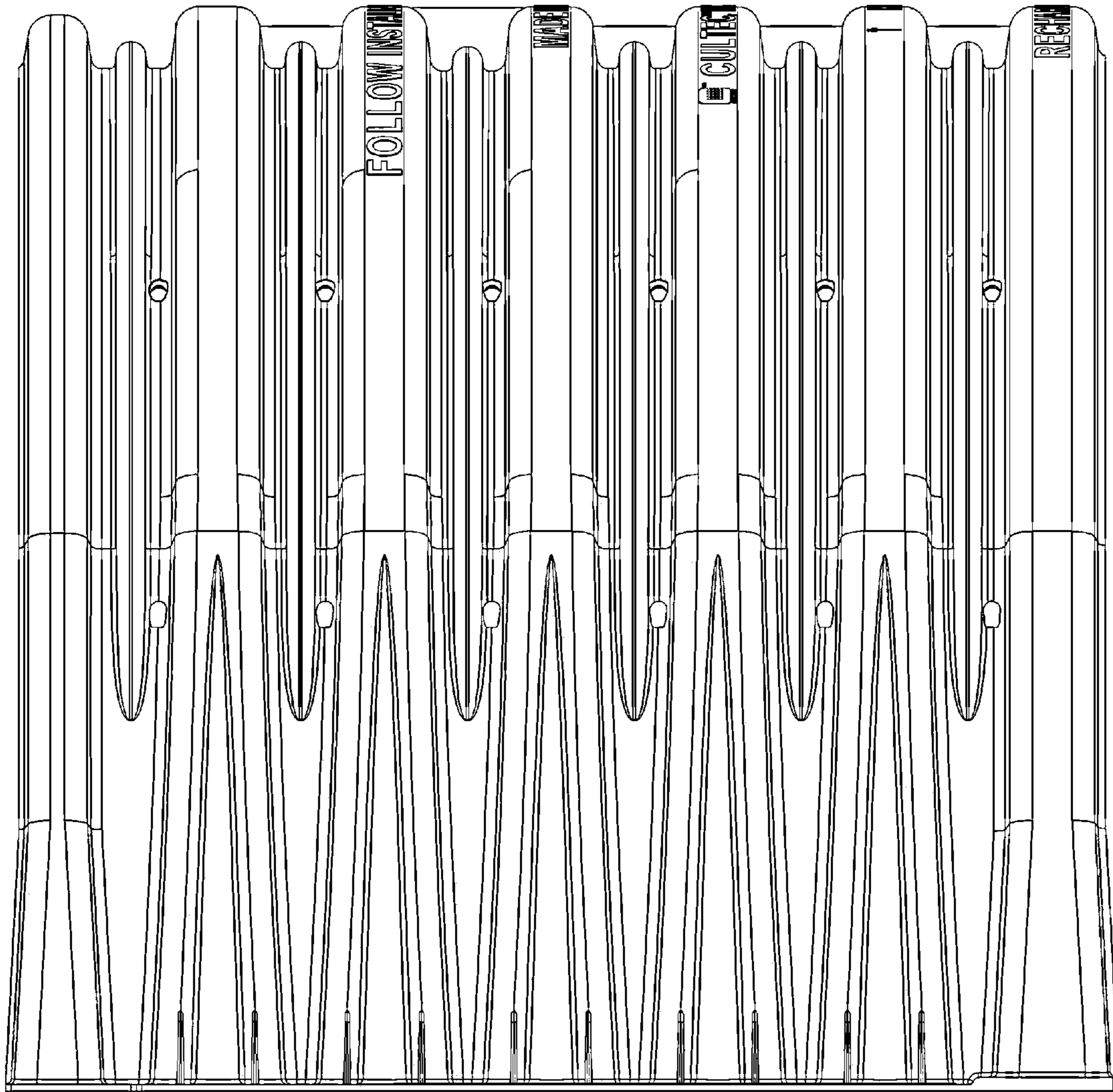


FIG. 3

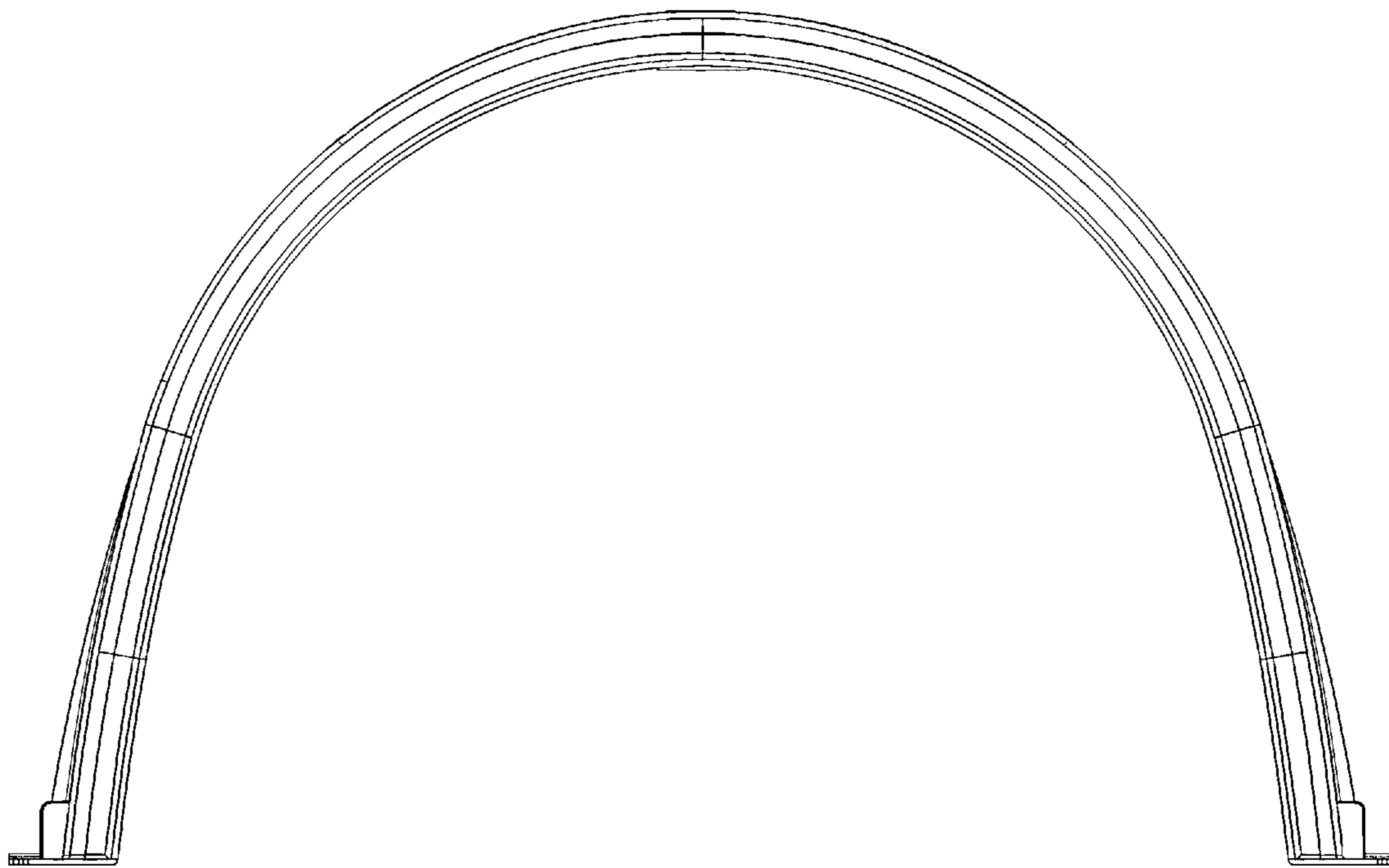


FIG. 4

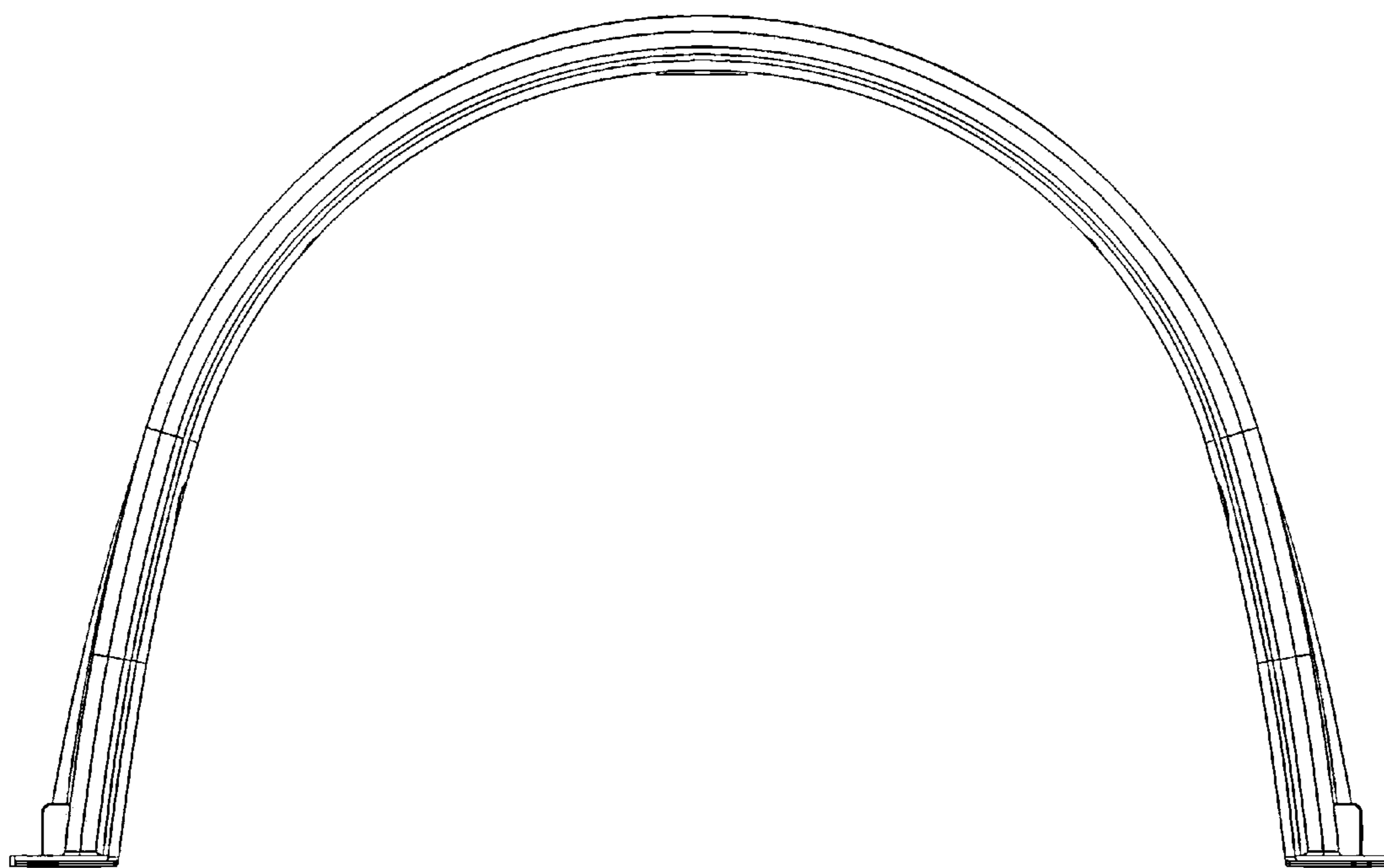


FIG. 5

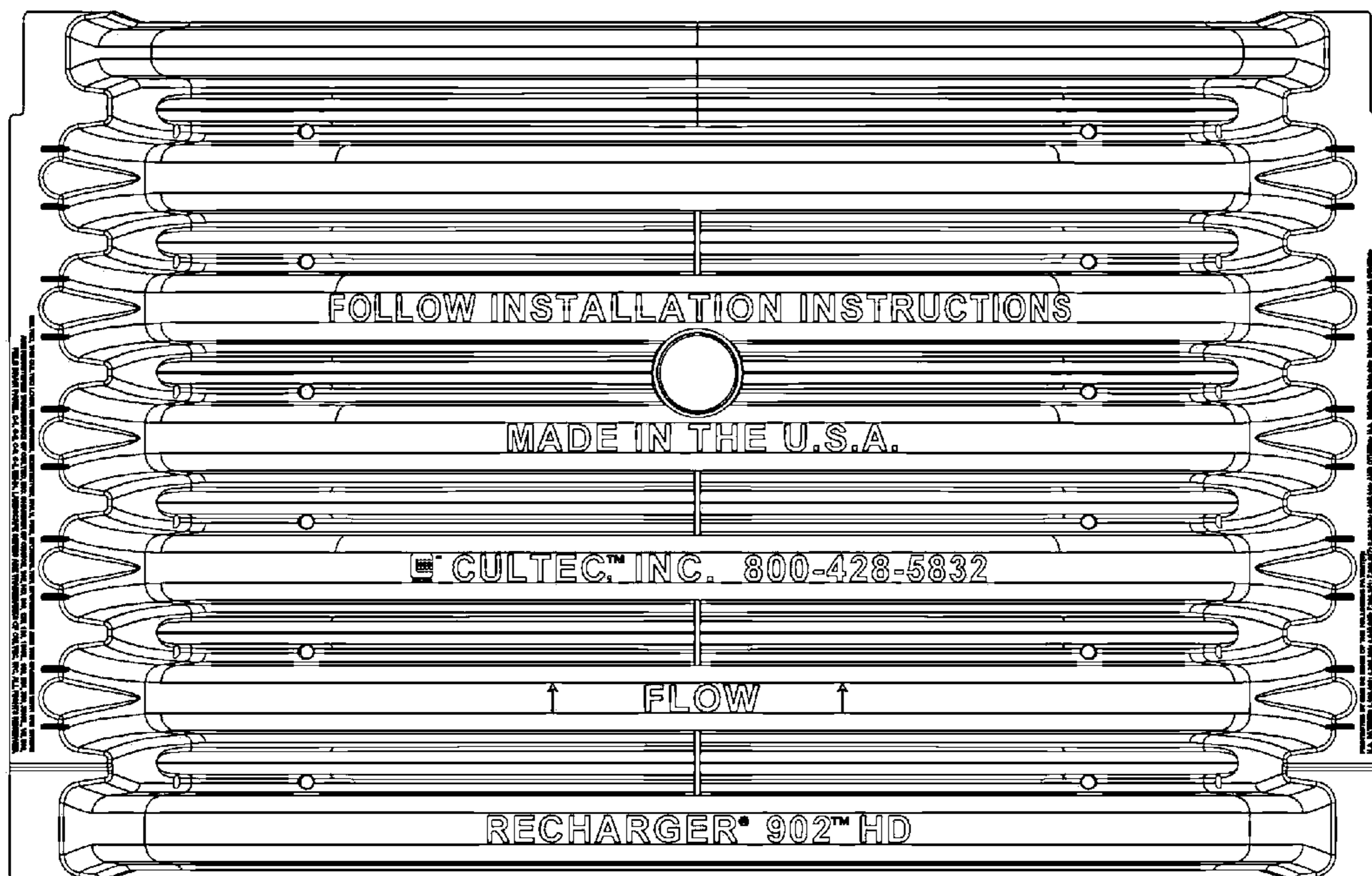


FIG. 6

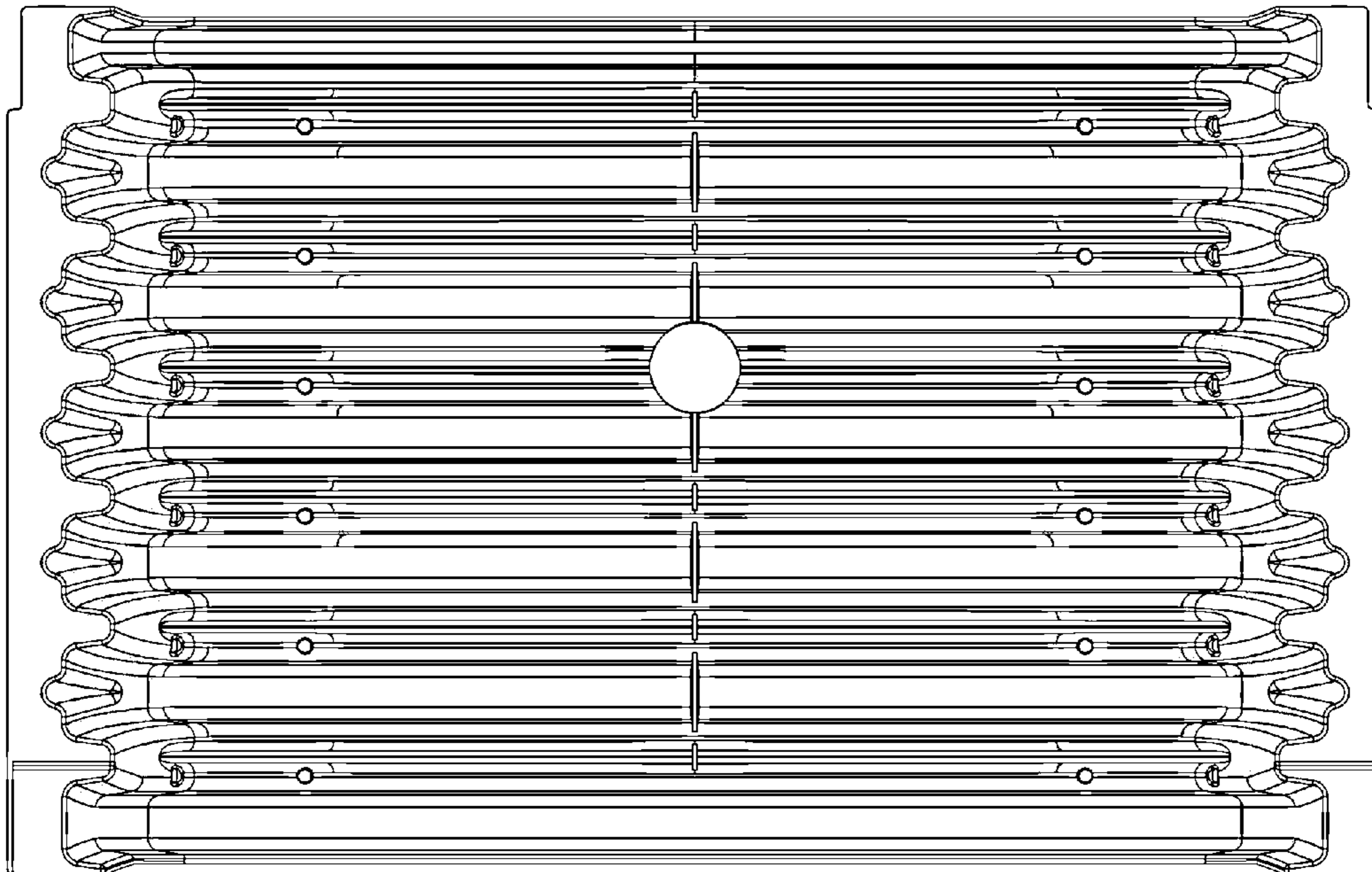


FIG. 7

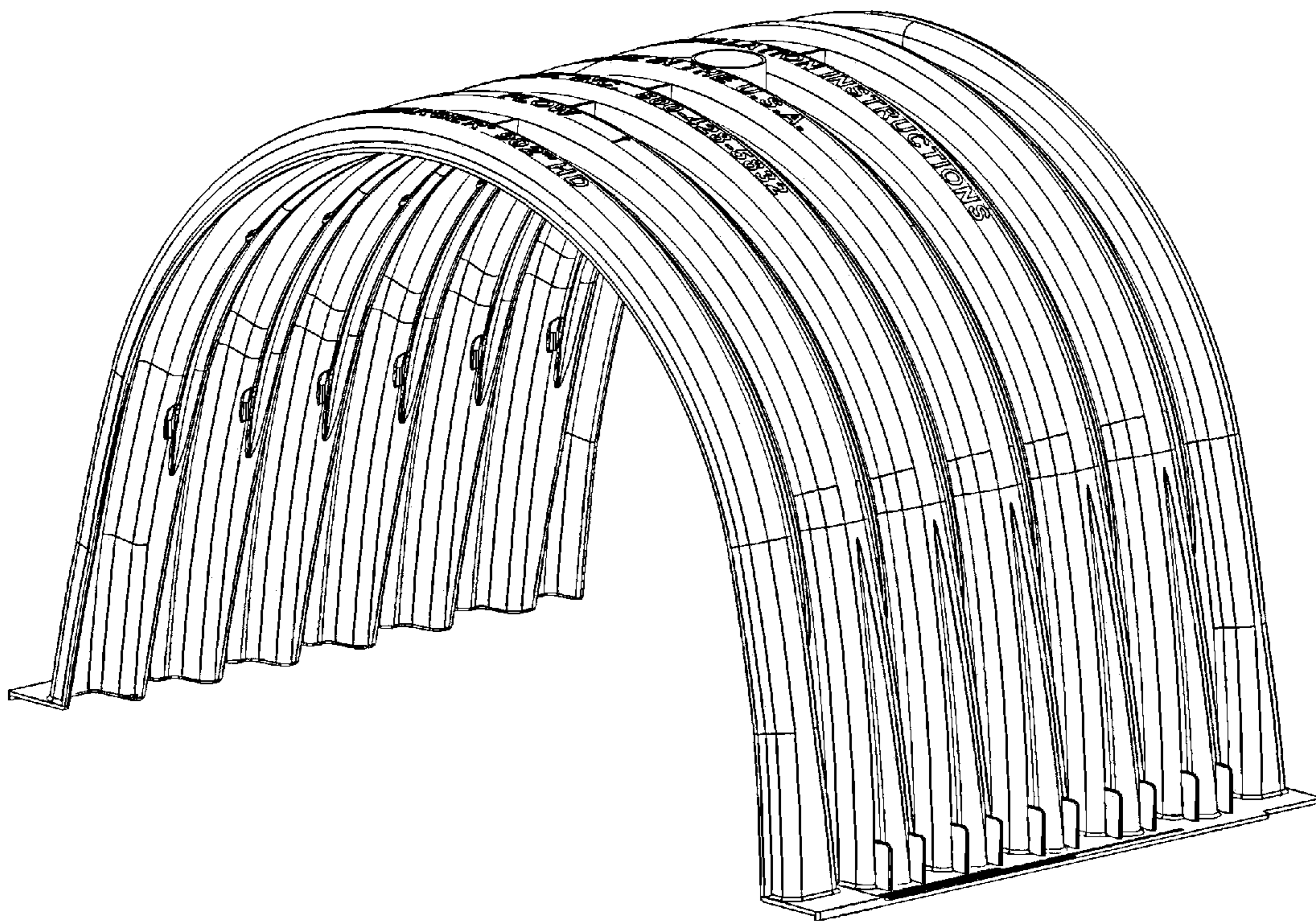


FIG. 8