



US00D737922S

(12) **United States Design Patent**
Pace

(10) **Patent No.:** **US D737,922 S**

(45) **Date of Patent:** **** Sep. 1, 2015**

(54) **SUPPRESSOR BAFFLE**

(71) Applicant: **William Pope Pace**, Missouri City, TX
(US)

(72) Inventor: **William Pope Pace**, Missouri City, TX
(US)

(**) Term: **14 Years**

(21) Appl. No.: **29/468,437**

(22) Filed: **Sep. 30, 2013**

(51) **LOC (10) Cl.** **22-01**

(52) **U.S. Cl.**
USPC **D22/108**

(58) **Field of Classification Search**
USPC D22/108; 42/76.01-76.1;
89/14.05-14.5; 124/92
CPC F41A 21/30
See application file for complete search history.

(56) **References Cited**

U.S. PATENT DOCUMENTS

D594,082 S * 6/2009 O'Quinn D22/108
7,874,238 B2 * 1/2011 Silvers 89/14.4
8,042,448 B1 * 10/2011 Sylvester et al. 89/14.3
D651,680 S * 1/2012 DeGroat D22/108

8,096,222 B2 * 1/2012 Silvers 89/14.4
D685,874 S * 7/2013 Andrews et al. D22/108
D712,997 S * 9/2014 Proske D22/108
2012/0048100 A1 * 3/2012 Davies 89/14.2

* cited by examiner

Primary Examiner — Michael A Pratt

(74) *Attorney, Agent, or Firm* — R. Tracy Crump

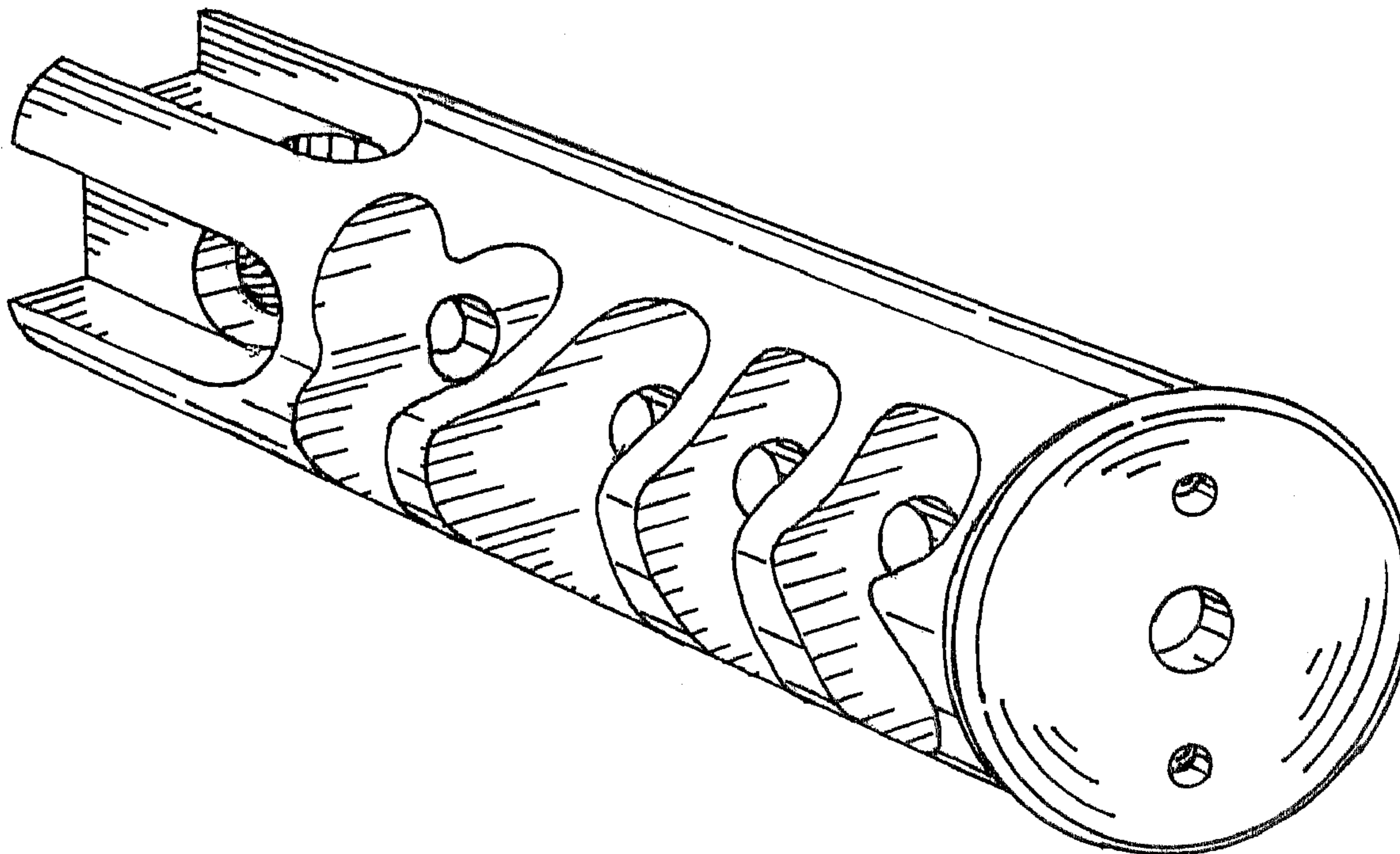
(57) **CLAIM**

I claim the ornamental design of a suppressor baffle, as shown and described.

DESCRIPTION

FIG. 1 is a perspective view of a suppressor baffle showing my design;
FIG. 2 is a top view of the suppressor baffle shown in FIG. 1;
FIG. 3 is a left side view of the suppressor baffle shown in FIG. 1;
FIG. 4 is a bottom view of the suppressor baffle shown in FIG. 1;
FIG. 5 is a right side view of the suppressor baffle shown in FIG. 1;
FIG. 6 is a rear end view of the suppressor baffle shown in FIG. 1; and,
FIG. 7 is a front end view of the suppressor baffle shown in FIG. 1.

1 Claim, 3 Drawing Sheets



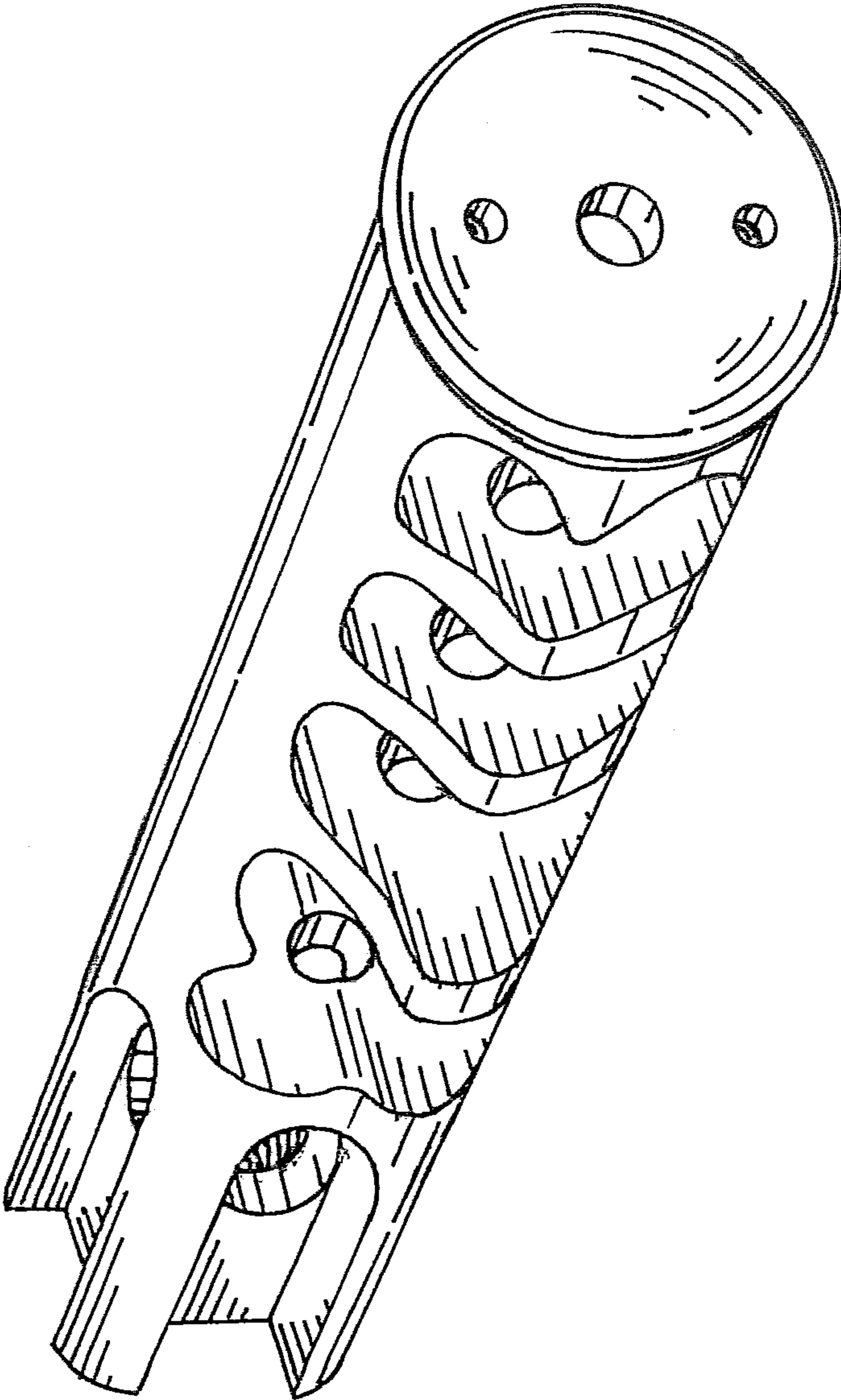


FIG 1

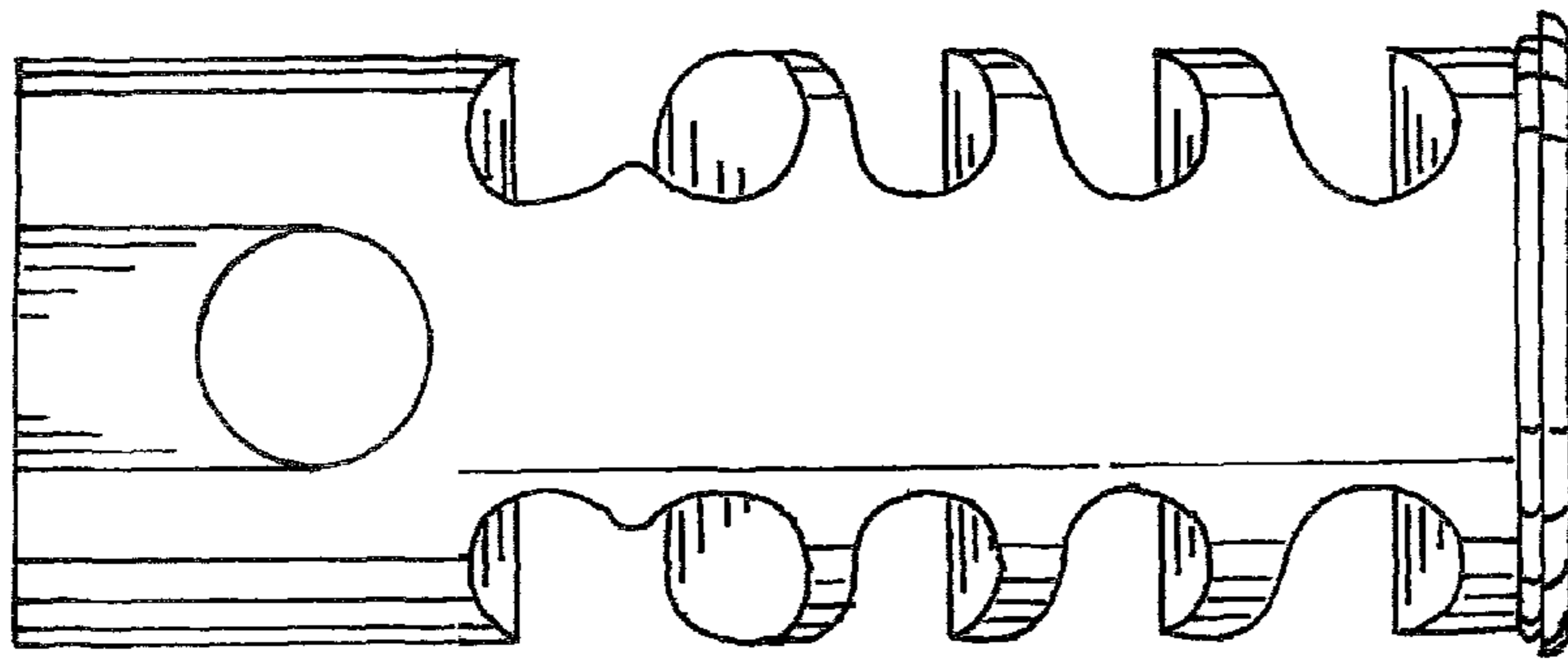


FIG. 2

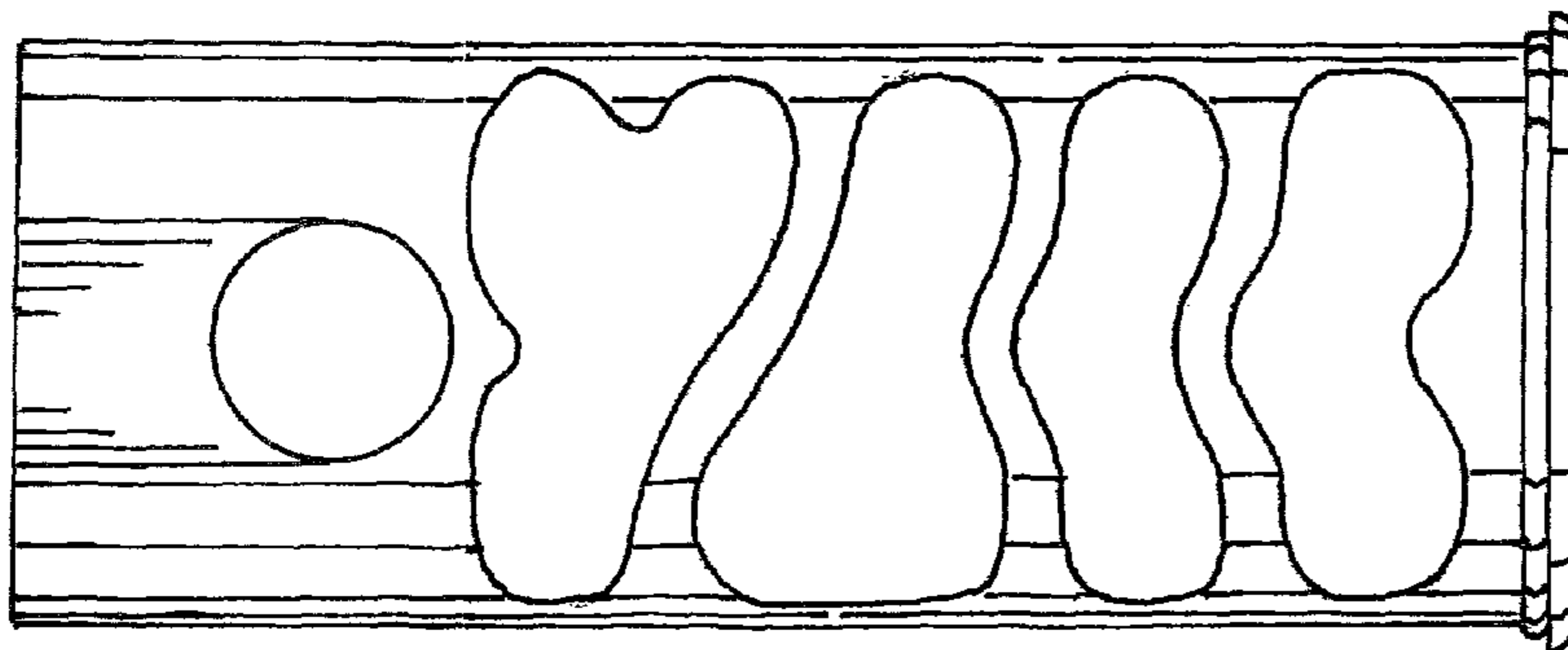


FIG. 3

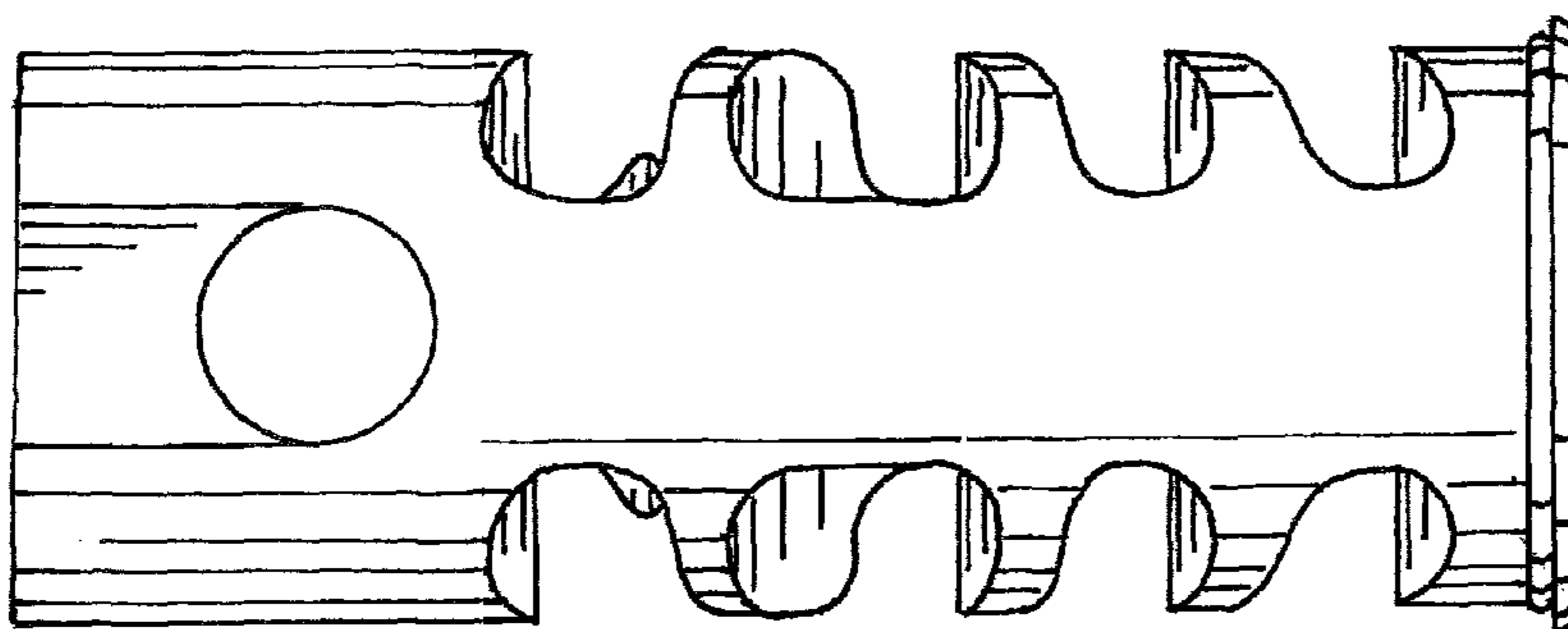


FIG. 4

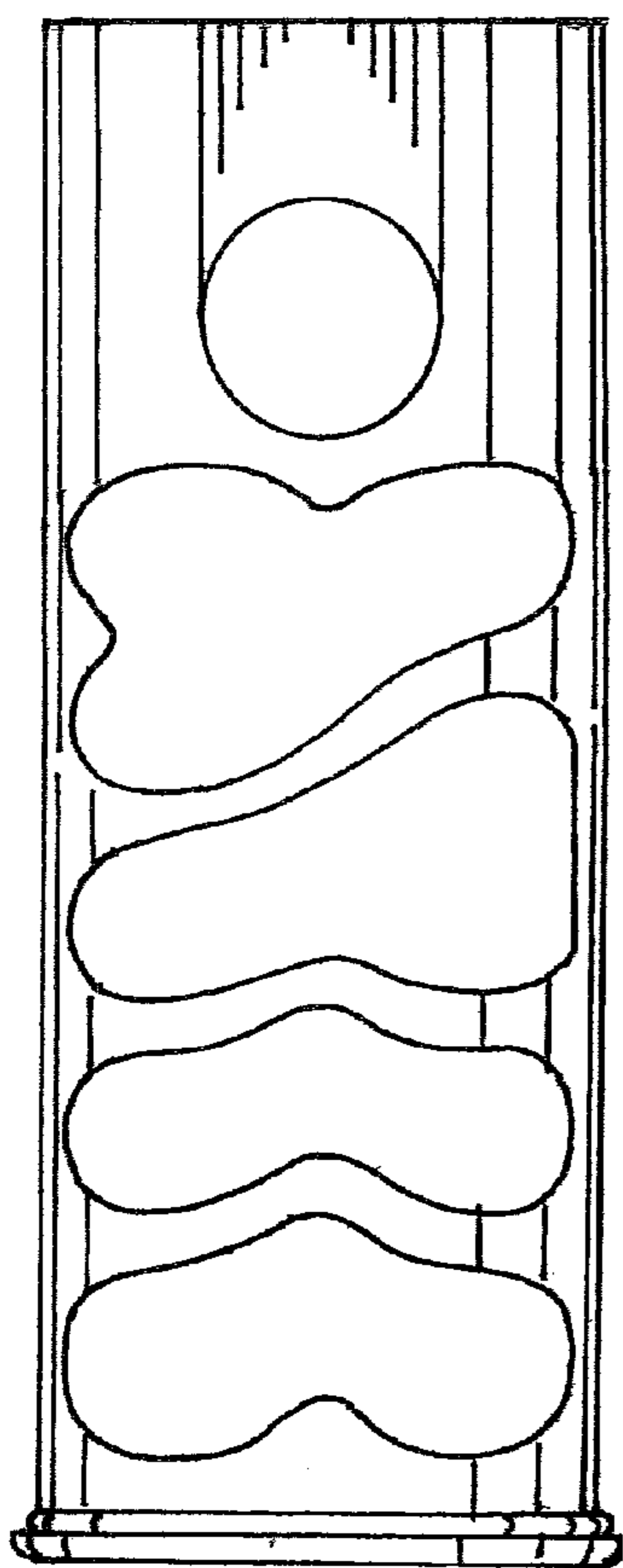


FIG. 5

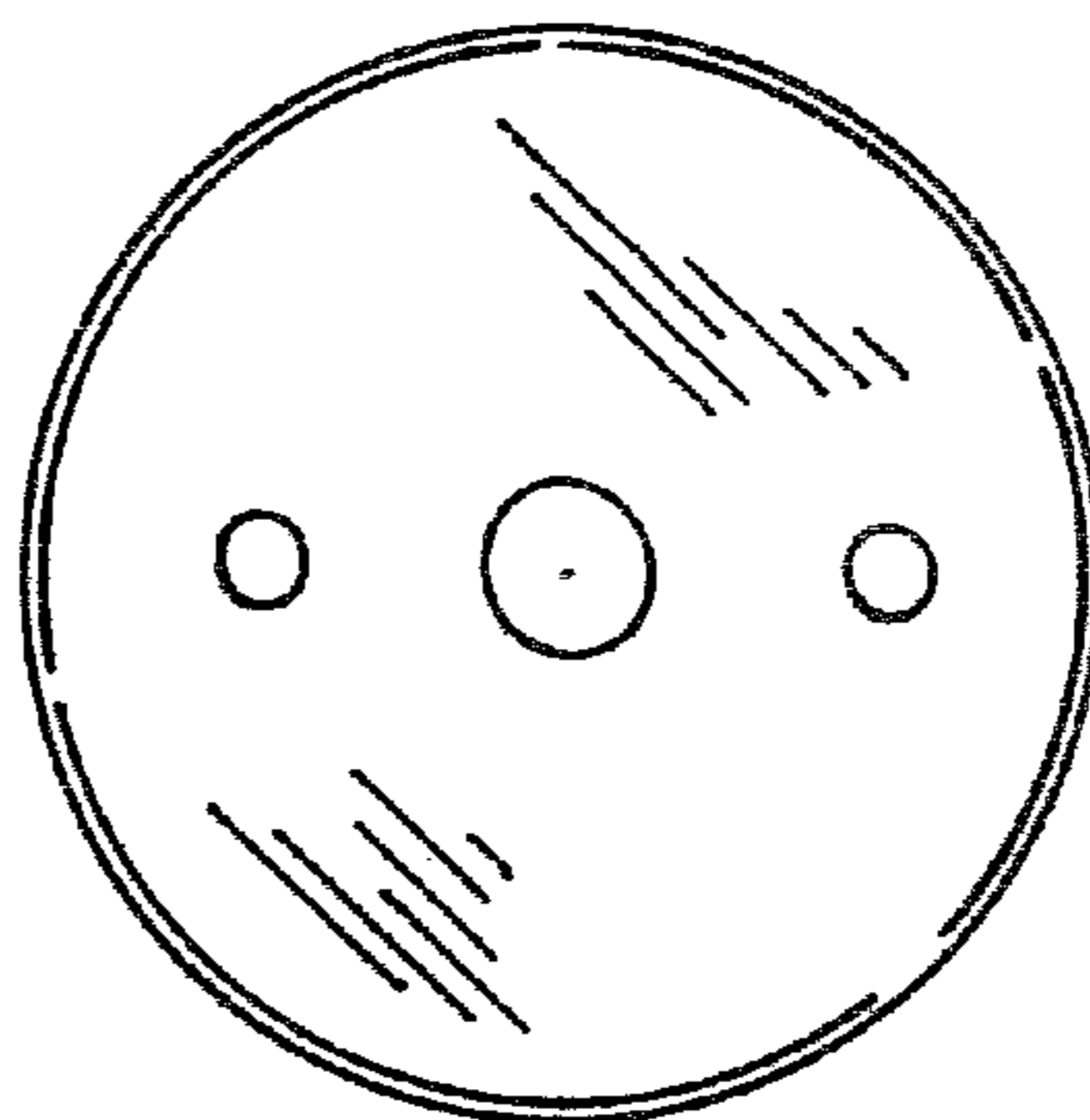


FIG. 6

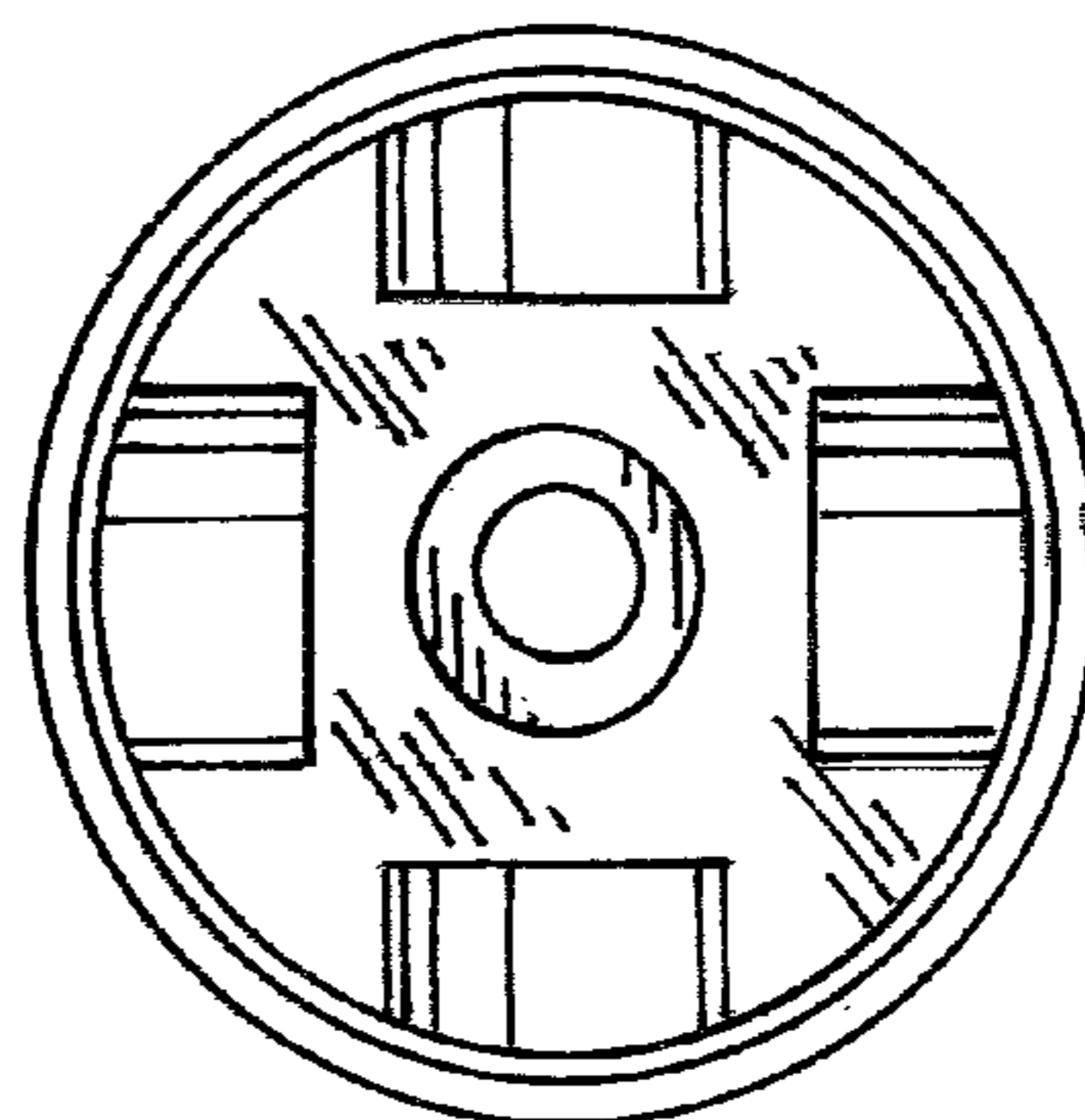


FIG. 7