



US00D737920S

(12) **United States Design Patent**
Darlington

(10) **Patent No.:** **US D737,920 S**

(45) **Date of Patent:** **** Sep. 1, 2015**

(54) **PORTION OF A CROSSBOW**

(71) Applicant: **Rex F. Darlington**, Whittemore, MI
(US)

(72) Inventor: **Rex F. Darlington**, Whittemore, MI
(US)

(**) Term: **14 Years**

(21) Appl. No.: **29/509,882**

(22) Filed: **Nov. 21, 2014**

(51) **LOC (10) Cl.** **22-01**

(52) **U.S. Cl.**
USPC **D22/107**

(58) **Field of Classification Search**
USPC D22/107, 108, 111; 124/23.1, 25.6, 86,
124/88; D21/572
CPC F41B 5/01; F41B 5/06; F41B 5/10;
F41B 5/12; F41B 5/14; F41B 5/0026; F41B
5/0031; F41B 5/0052; F41B 5/073; F41B
5/078
See application file for complete search history.

(56) **References Cited**

U.S. PATENT DOCUMENTS

D567,895	S *	4/2008	Cauley	D22/108
D634,388	S *	3/2011	Peterson et al.	D22/108
D645,533	S *	9/2011	Peterson et al.	D22/108
D662,167	S *	6/2012	Juarez	D22/103
8,689,774	B1 *	4/2014	Ritz	124/25
D704,294	S *	5/2014	Jarboe	D22/108
8,844,185	B2 *	9/2014	Jarboe	42/73
D722,671	S *	2/2015	Mayberry et al.	D22/108
D722,672	S *	2/2015	Juarez	D22/108
2009/0078243	A1 *	3/2009	Bednar et al.	124/31

2009/0288324	A1 *	11/2009	Peterson et al.	42/75.03
2012/0159828	A1 *	6/2012	Jarboe et al.	42/16
2014/0069404	A1 *	3/2014	McPherson	124/25

* cited by examiner

Primary Examiner — Michael A Pratt
(74) *Attorney, Agent, or Firm* — Reising Ethington PC

(57) **CLAIM**

I claim an ornamental design for a portion of a crossbow, as shown and described.

DESCRIPTION

FIG. 1 is a top perspective view of a portion of a crossbow in accordance with an illustrative embodiment of my new claimed design.

FIG. 2 is a left side view of the portion of a crossbow of FIG. 1.

FIG. 3 is a fragmentary left side view of the portion of a crossbow of FIG. 2, illustrated at two times scale.

FIG. 4 is a right side view of the portion of a crossbow of FIG. 1.

FIG. 5 is a top view of the portion of a crossbow of FIG. 1.

FIG. 6 is a bottom view of the portion of a crossbow of FIG. 1.

FIG. 7 is a rear view of the portion of a crossbow of FIG. 1; and,

FIG. 8 is a front view of the portion of a crossbow of FIG. 1. The terms top, left, right, bottom, rear, side, and front are used for reference only and do not limit the claimed design.

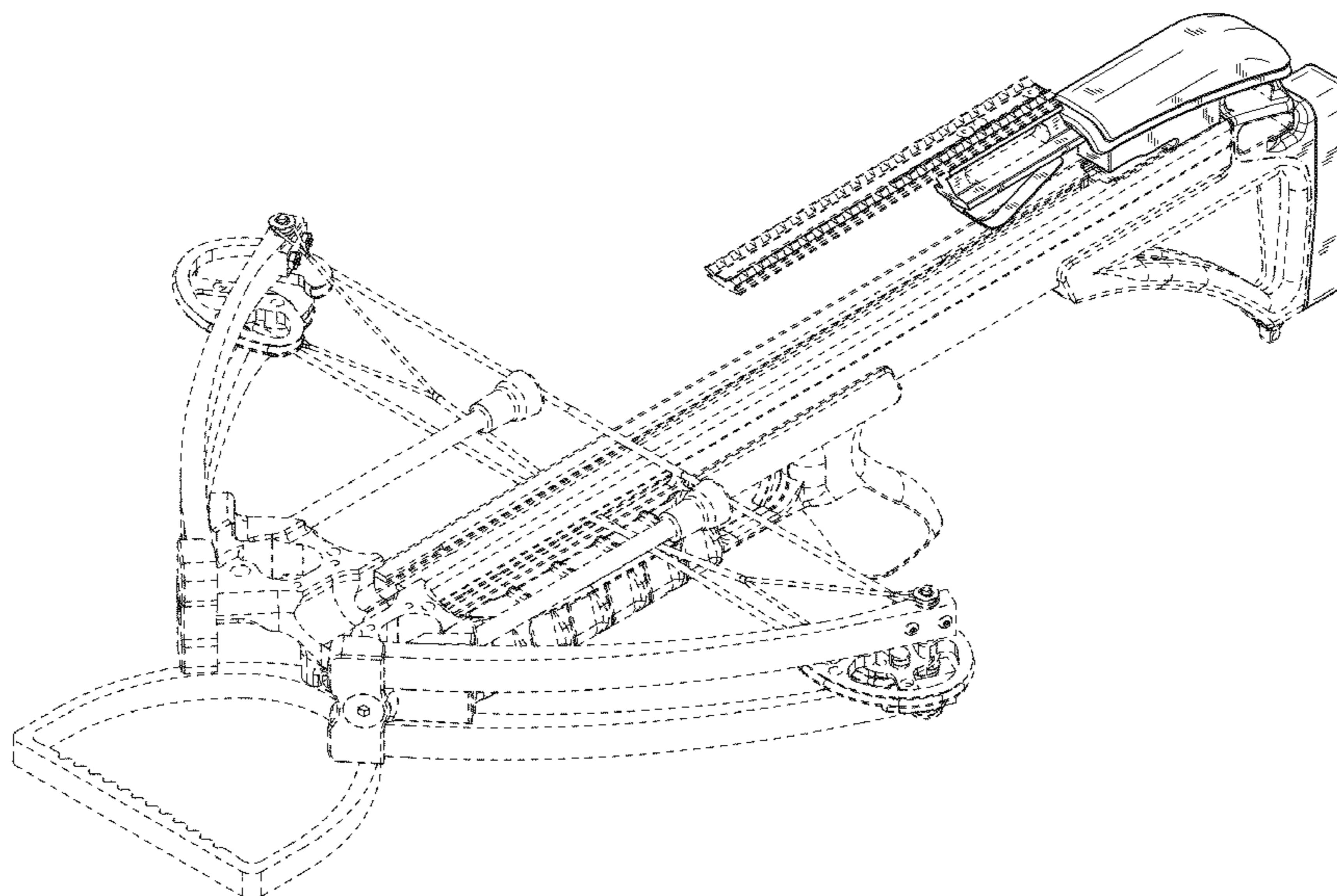
Dash-dash-dash broken lines shown in the drawings represent environmental structure and are not part of the claimed design.

Dash-dot-dash broken lines shown in the drawings represent boundaries of the claimed design and are not part of the claimed design.

Shading lines shown in the drawings represent surface contours and are not part of the claimed design.

Portions of the crossbow not shown in the drawings form no part of the claimed design.

1 Claim, 7 Drawing Sheets



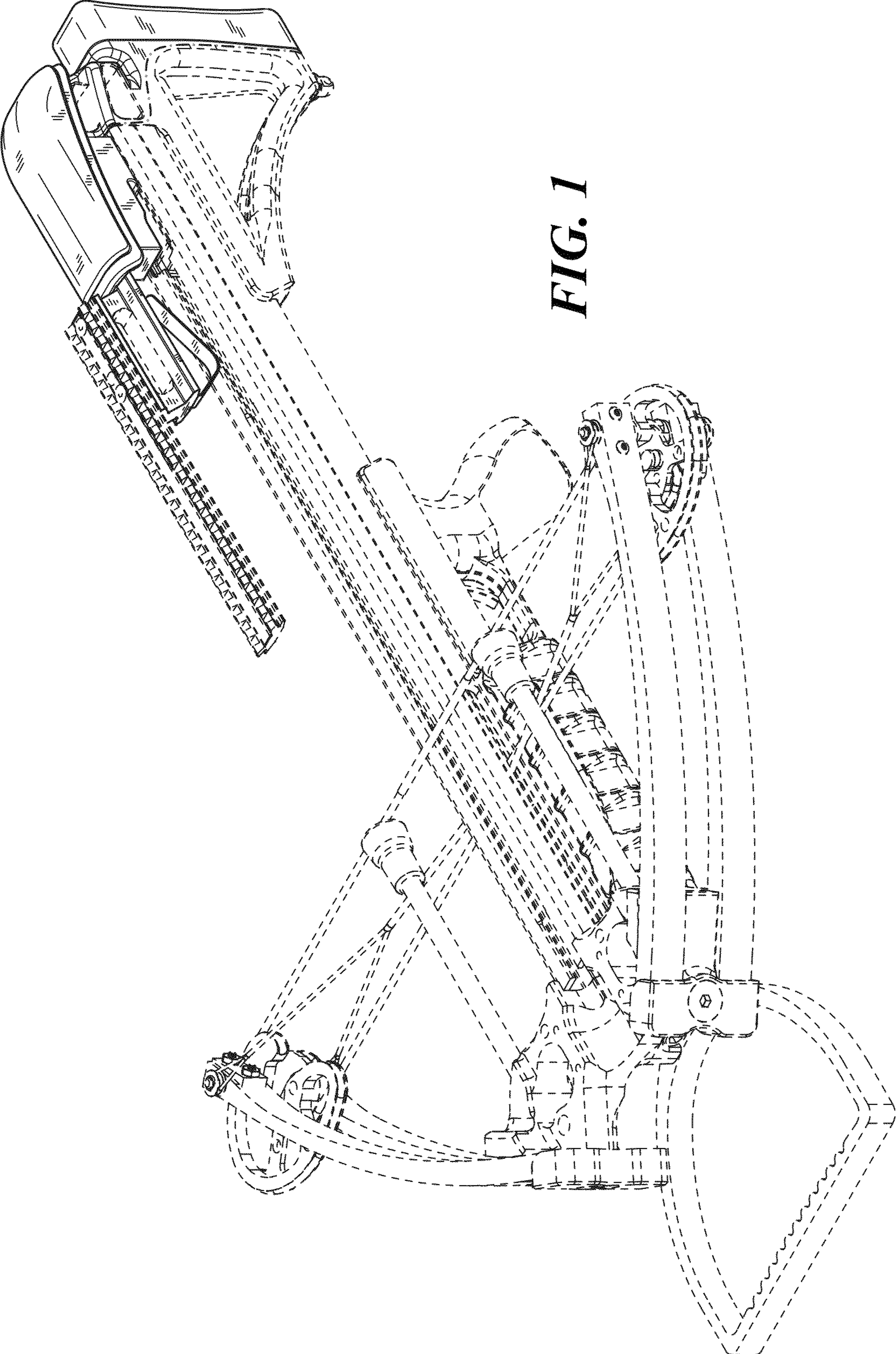


FIG. 1

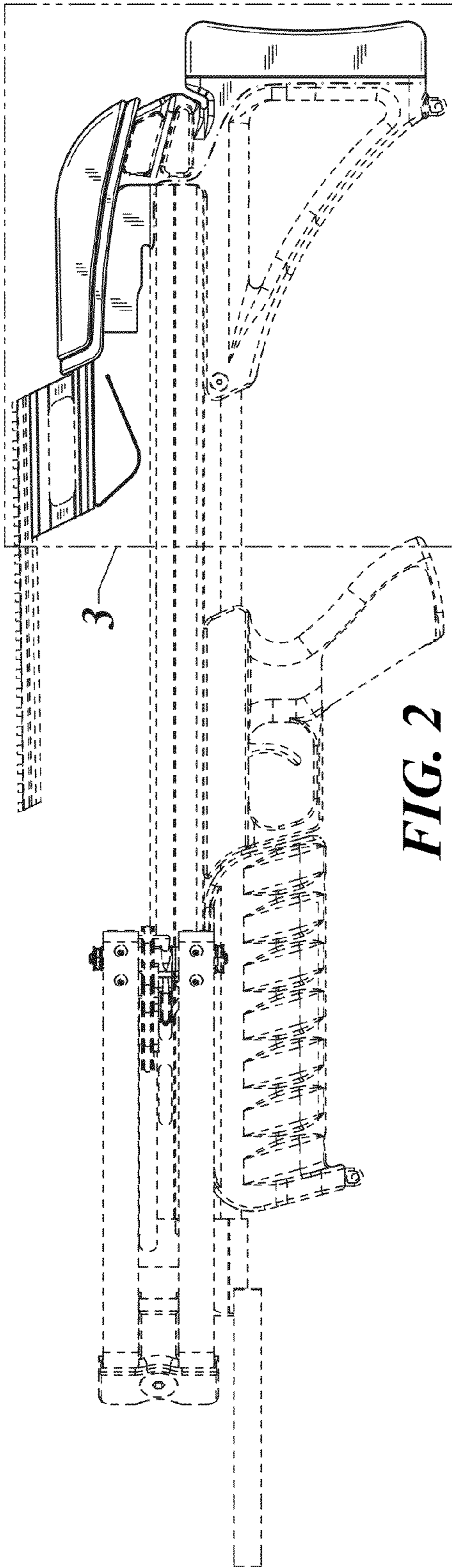


FIG. 2

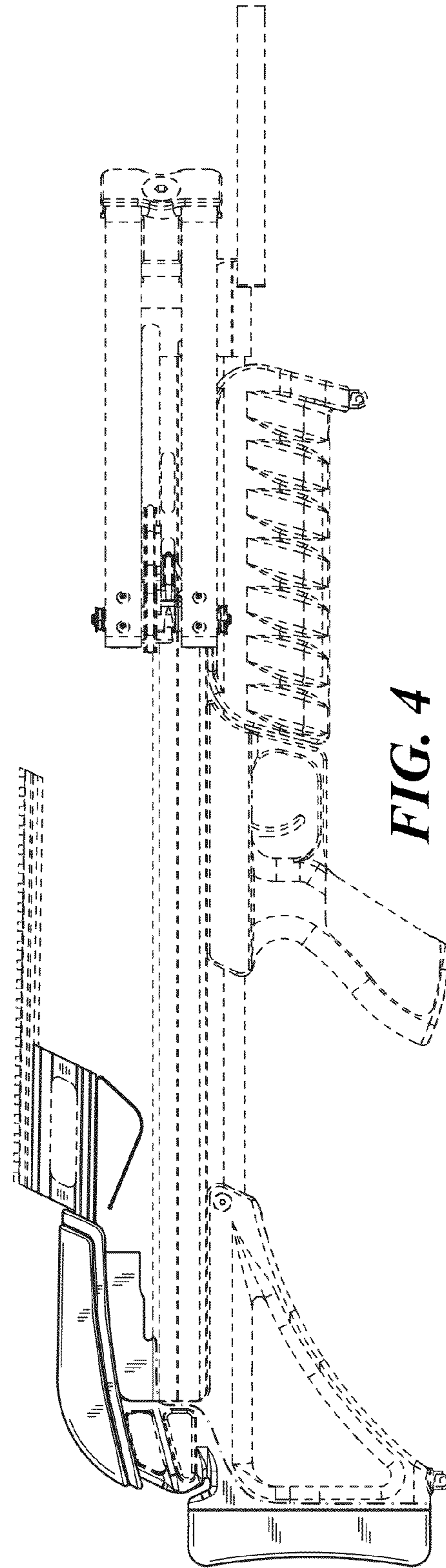
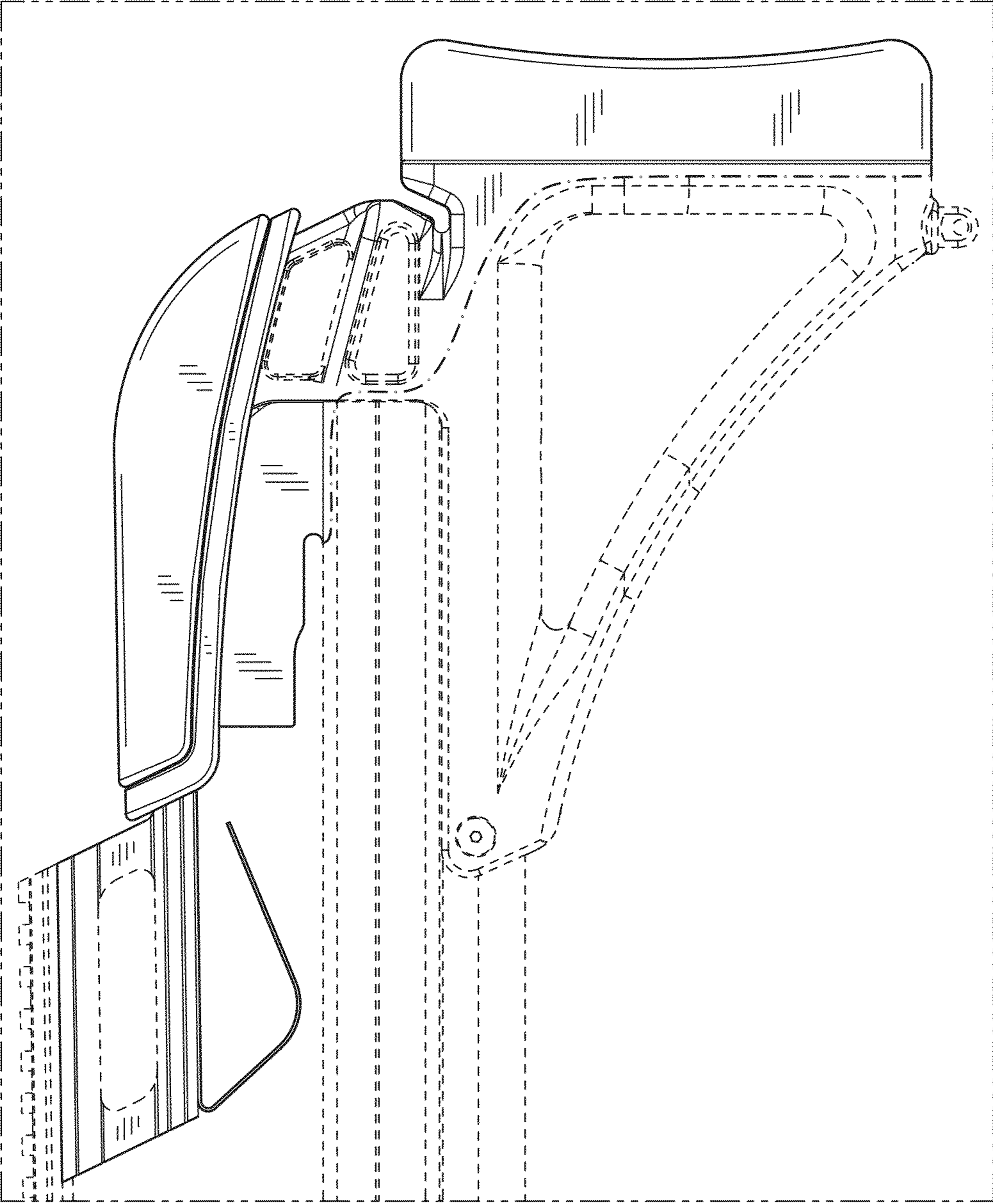


FIG. 4

FIG. 3



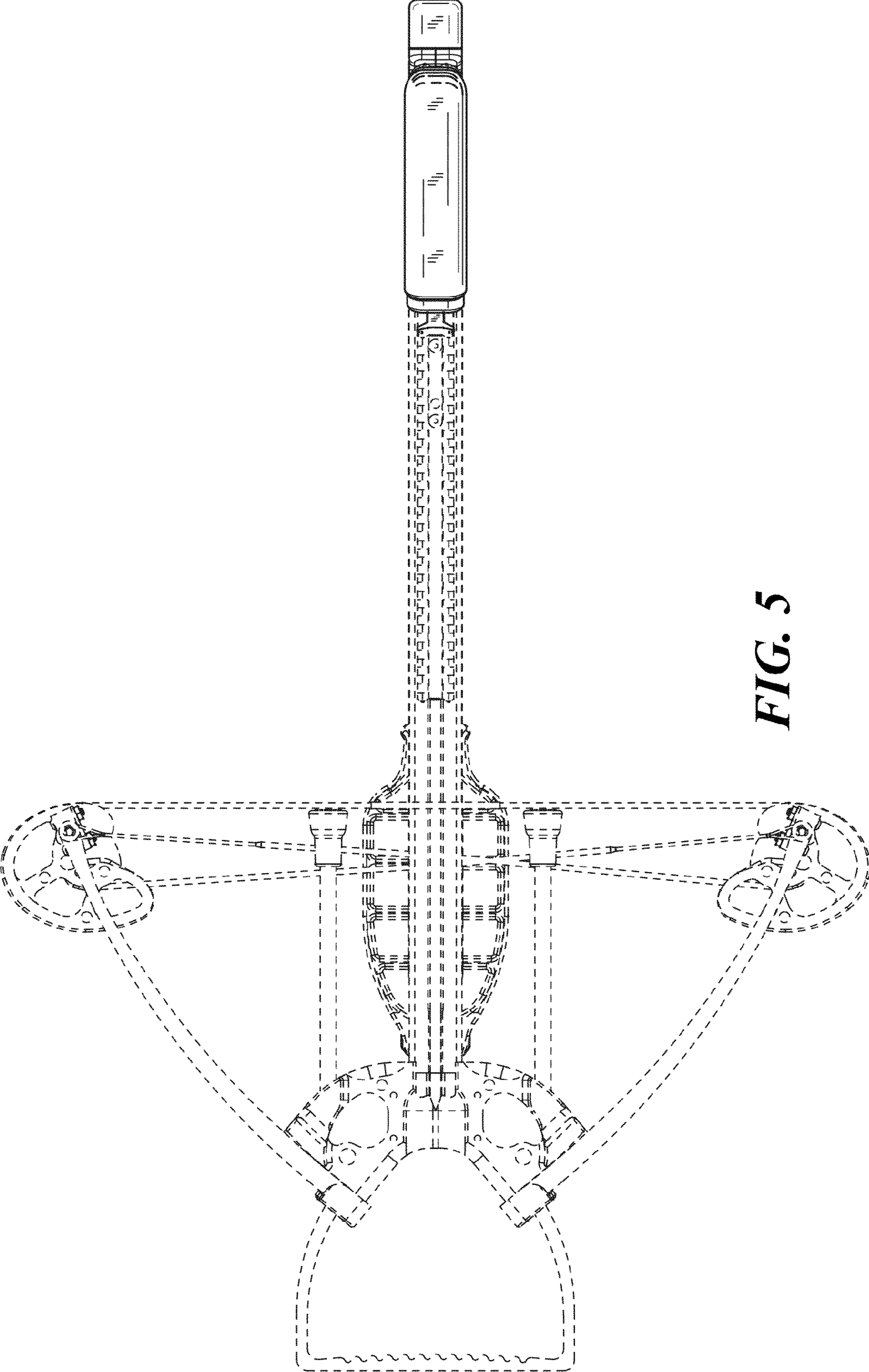


FIG. 5

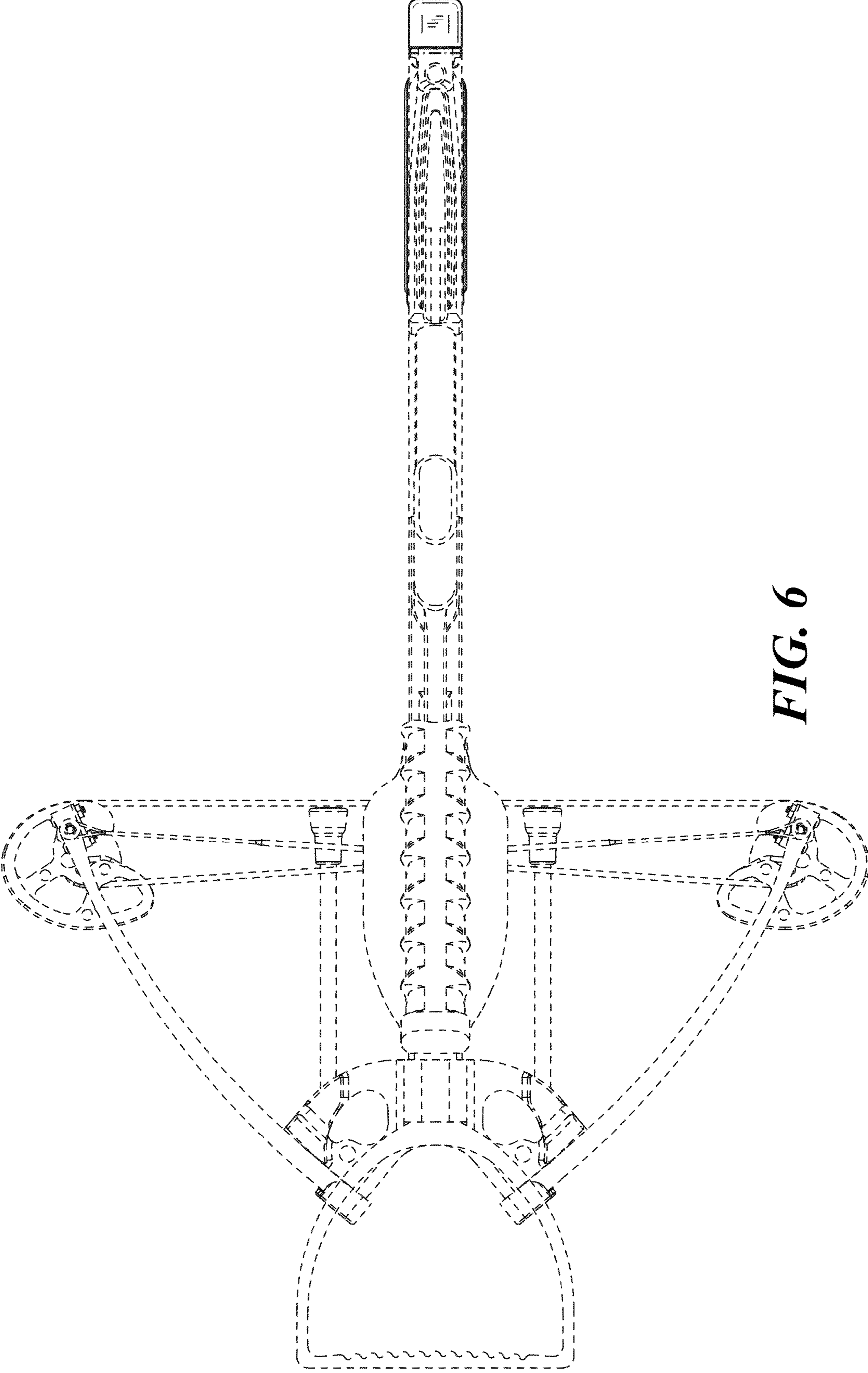


FIG. 6

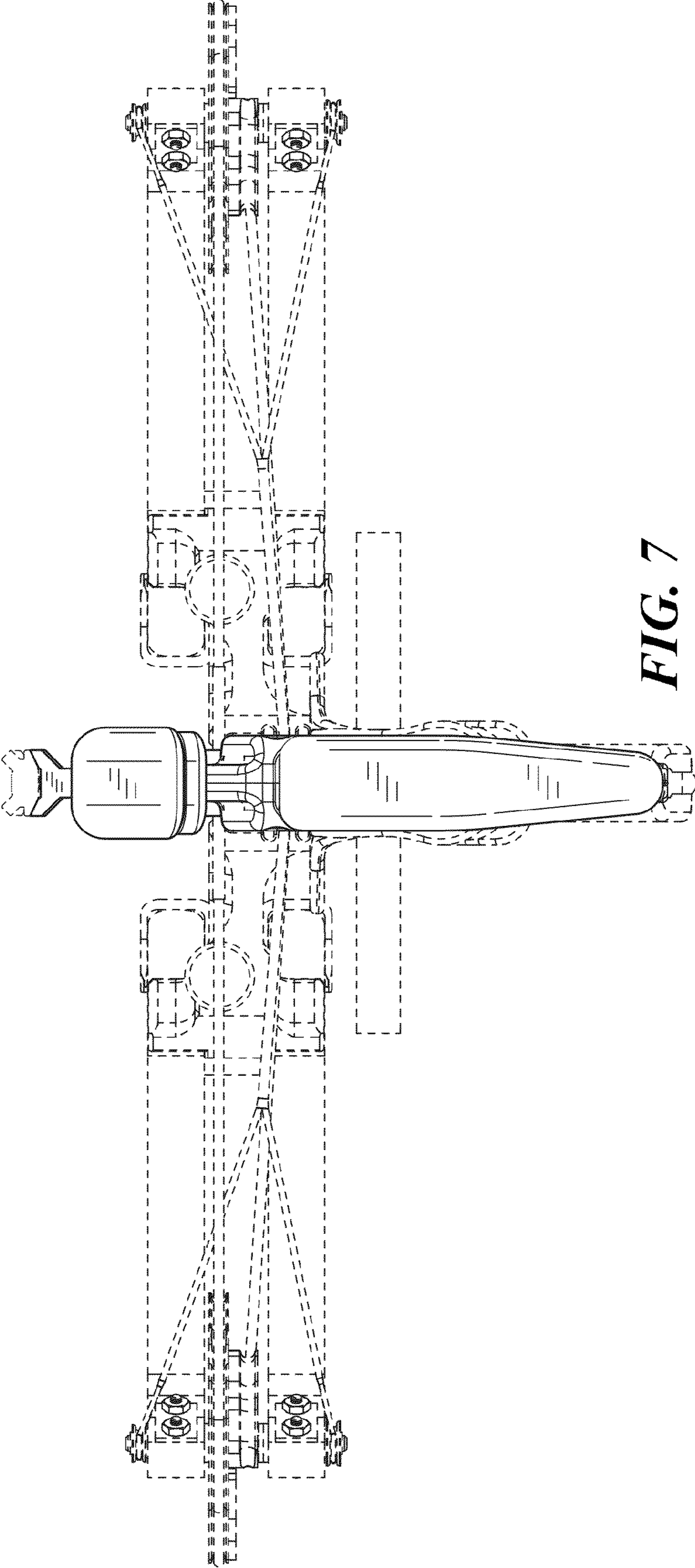


FIG. 7

