

US00D737918S

(12) **United States Design Patent**
Lee

(10) **Patent No.:** **US D737,918 S**
(45) **Date of Patent:** **** Sep. 1, 2015**

(54) **PALM PADDLES FOR SWIMMERS**

Primary Examiner — Zenia Bennett

(71) Applicant: **Gavin Lee**, El Cerrito, CA (US)

(57) **CLAIM**

The ornamental design for palm paddles for swimmers, as shown and described.

(72) Inventor: **Gavin Lee**, El Cerrito, CA (US)

(**) Term: **14 Years**

DESCRIPTION

(21) Appl. No.: **29/509,268**

FIG. 1 is a top elevation view of the palm paddles for swimmers in accordance with the present design.

(22) Filed: **Nov. 14, 2014**

FIG. 2 is a top perspective view of FIG. 1 of the palm paddles for swimmers.

(51) **LOC (10) Cl.** **21-01**

FIG. 3 is a top perspective view showing the surgical tubing. FIG. 4 is a bottom perspective view showing the surgical tubing.

(52) **U.S. Cl.**

USPC **D21/807**

(58) **Field of Classification Search**

USPC D21/732, 806, 807; 441/56, 57, 58; 482/55, 111

CPC B63C 9/115

See application file for complete search history.

FIG. 5 is a top perspective view of palm paddle for swimmers of FIG. 1, with hand mounted.

FIG. 6 is a bottom perspective view of palm paddle for swimmers of FIG. 5, with a view of the palm of the hand shown through the centrally located hole.

(56) **References Cited**

U.S. PATENT DOCUMENTS

5,511,998	A *	4/1996	Johnson	441/56
D397,187	S *	8/1998	Reeder	D21/807
D412,353	S *	7/1999	Falconer	D21/807
6,019,650	A *	2/2000	Rives et al.	441/58
7,179,146	B2 *	2/2007	Johnson	441/56
D585,104	S *	1/2009	McCarthy	D21/807
7,566,252	B2 *	7/2009	Bolster	441/56
D599,429	S *	9/2009	King et al.	D21/807
D707,321	S *	6/2014	Lee et al.	D21/807

FIG. 7 is a top perspective view showing that the right side is mirror image for the left side.

FIG. 8 is a top side elevation view thereof.

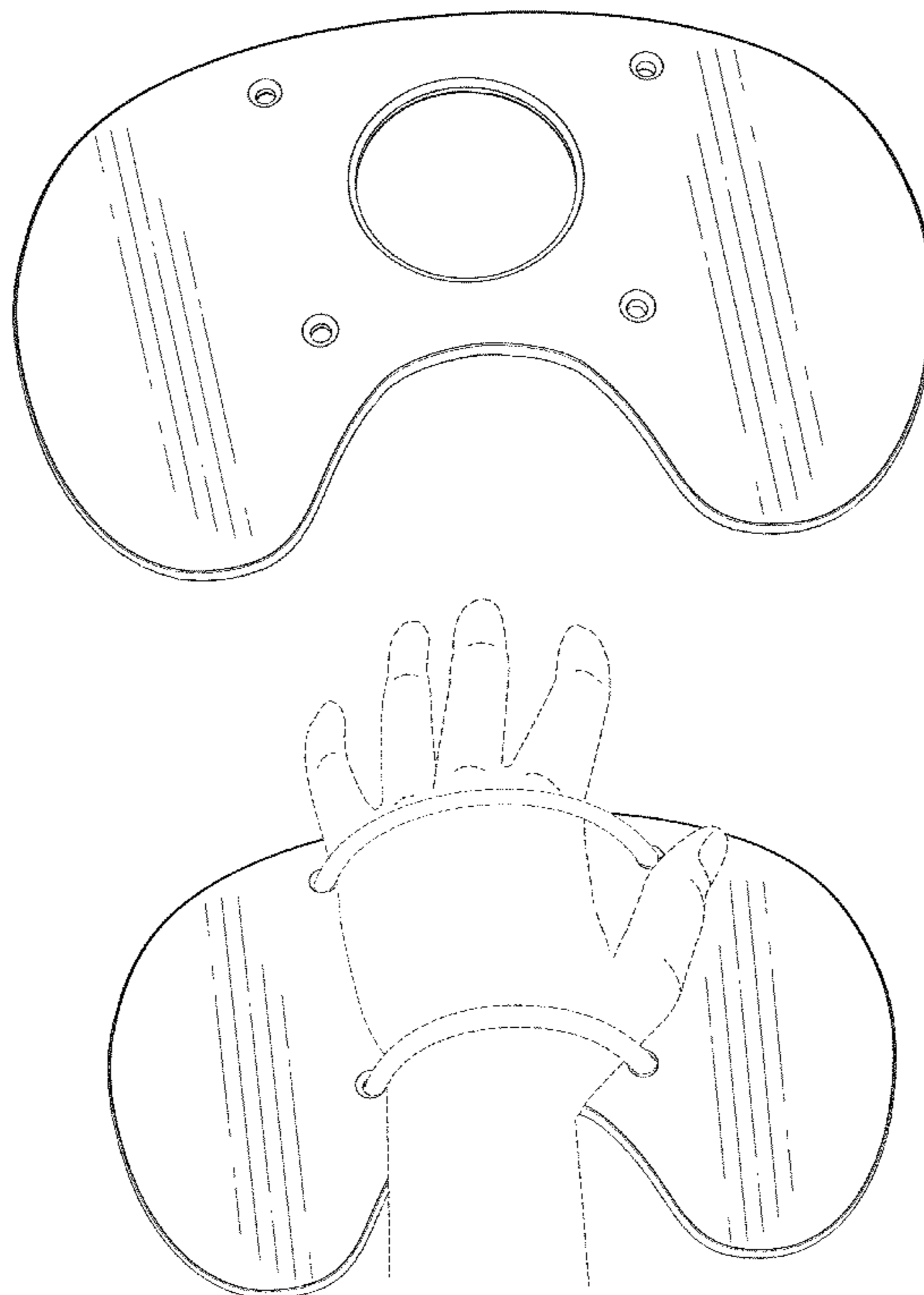
FIG. 9 is a bottom side elevation view thereof; and,

FIG. 10 is a right side elevation view thereof. The left side elevation is a mirror image of the right side elevation view.

The broken lines in the Figures show portions of the palm paddles for swimmers that form no part of the claimed design. The shade lines in the Figures show contours and not surface ornamentation.

* cited by examiner

1 Claim, 4 Drawing Sheets



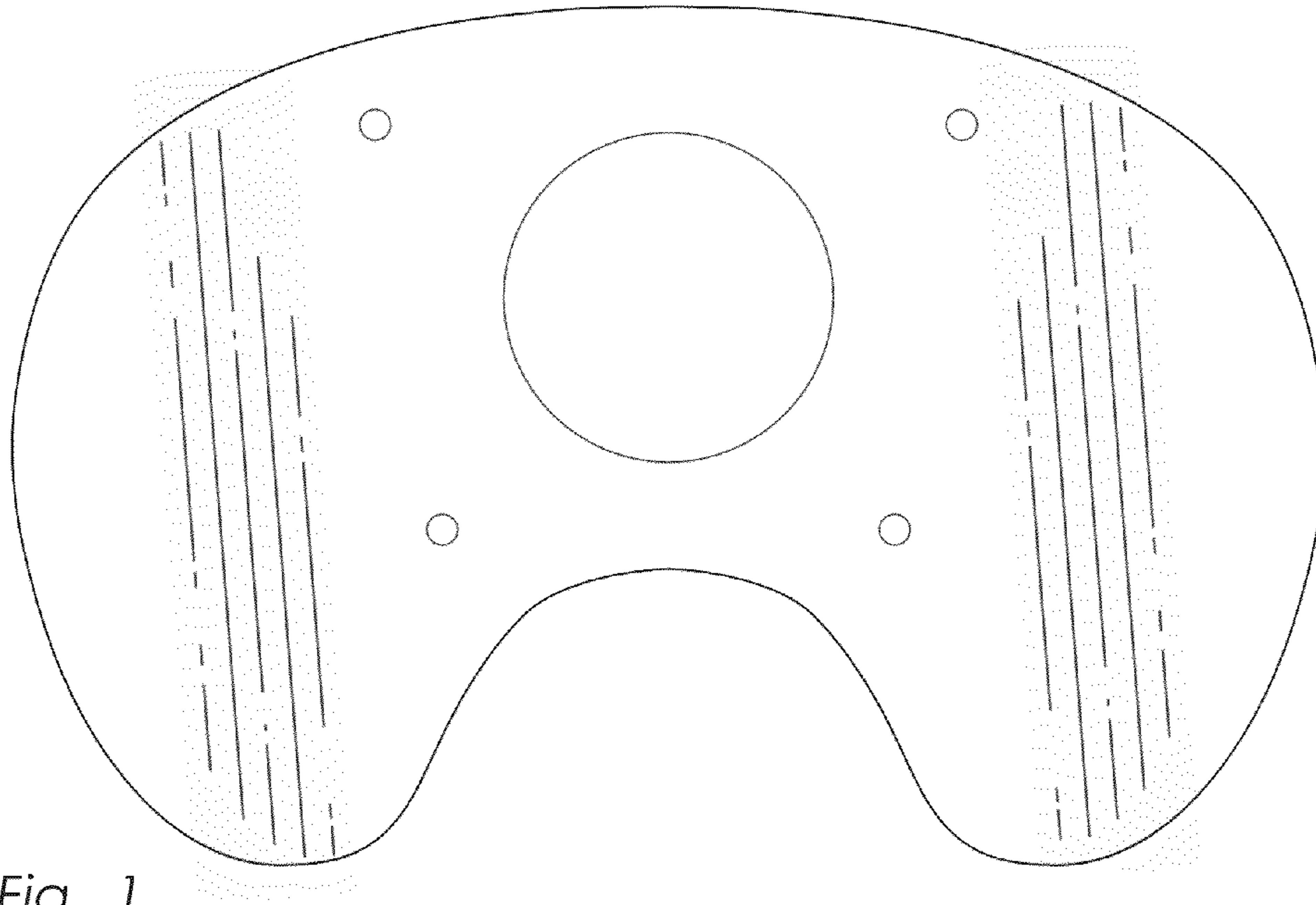


Fig._1

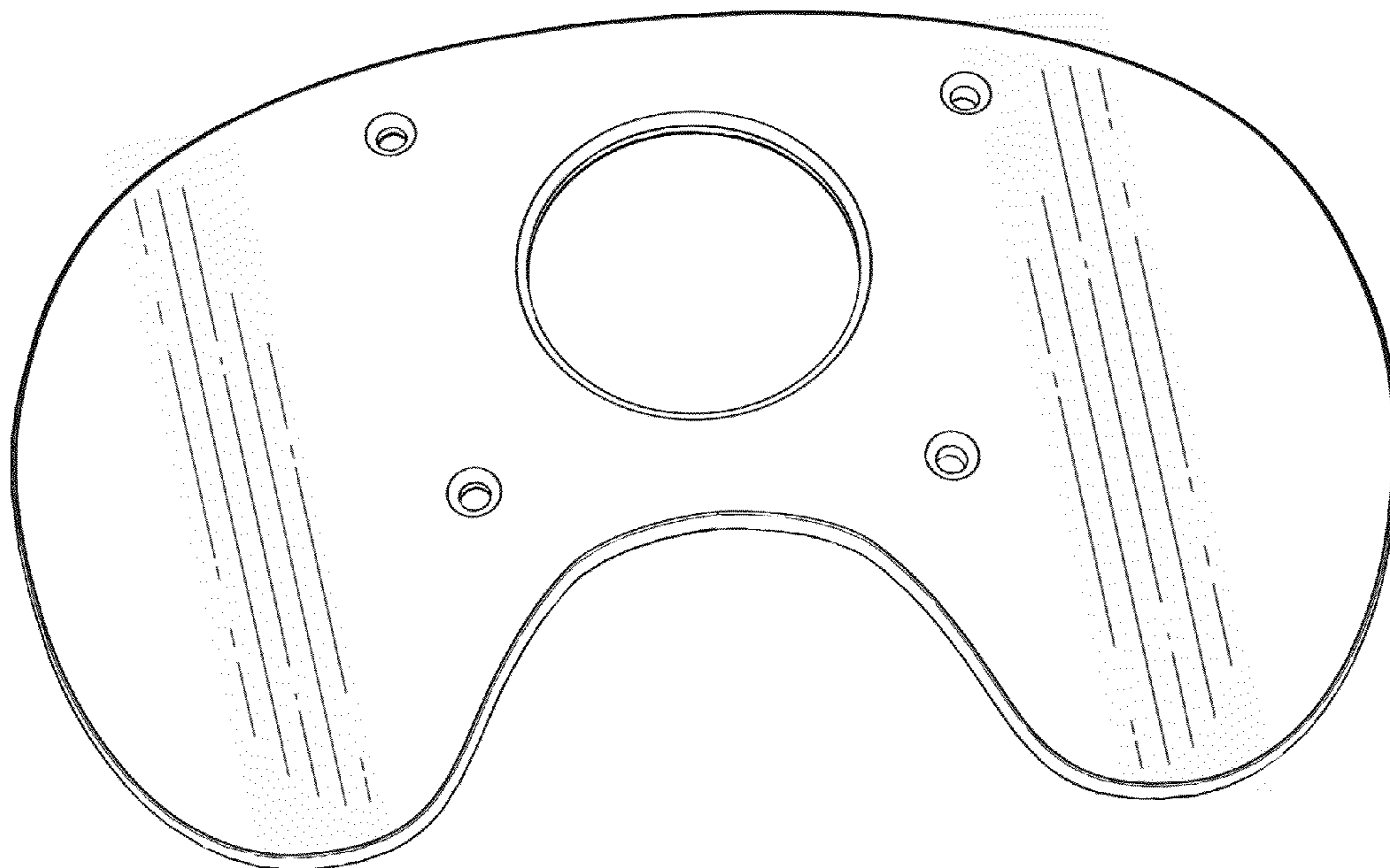


Fig._2

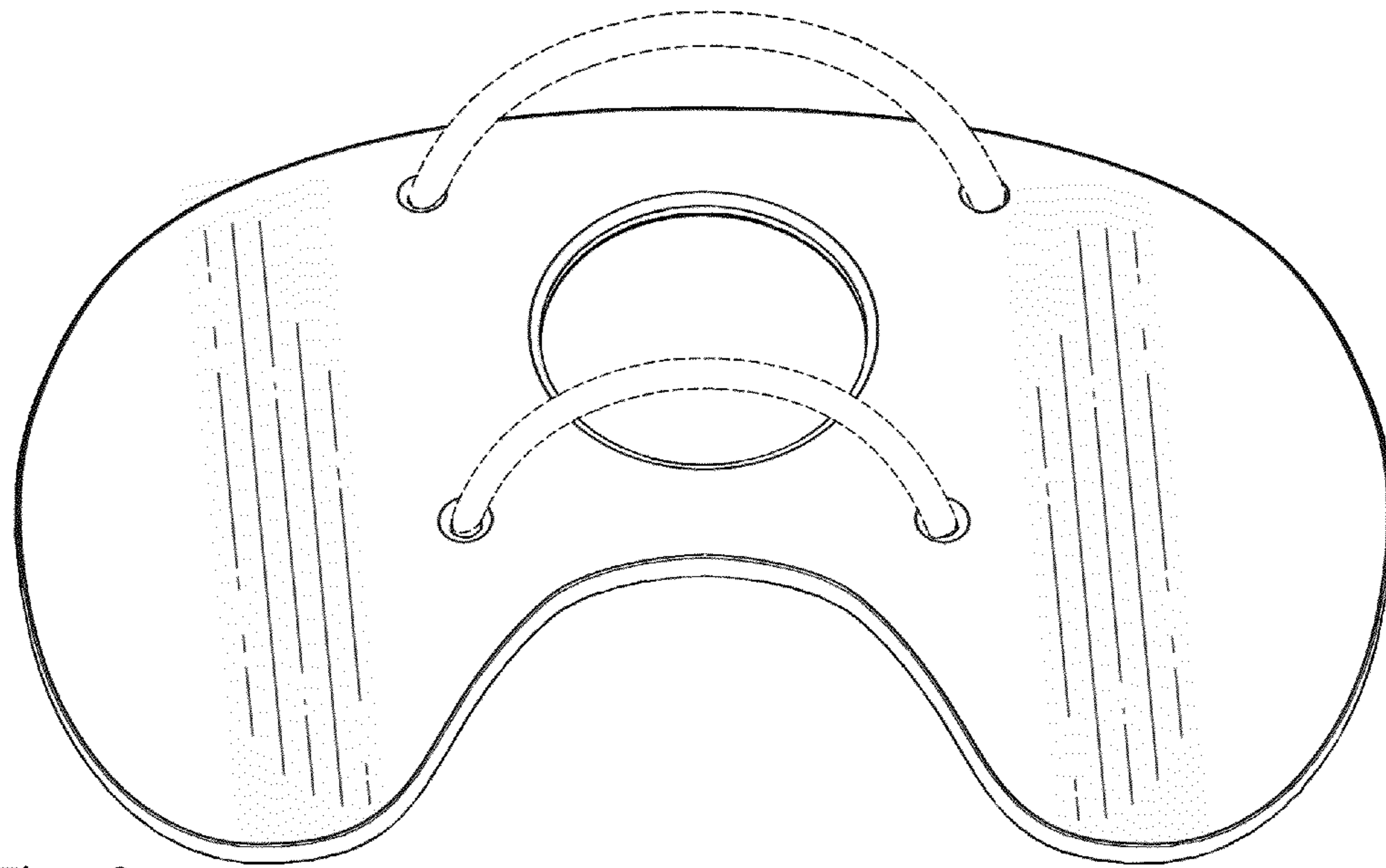


Fig._3

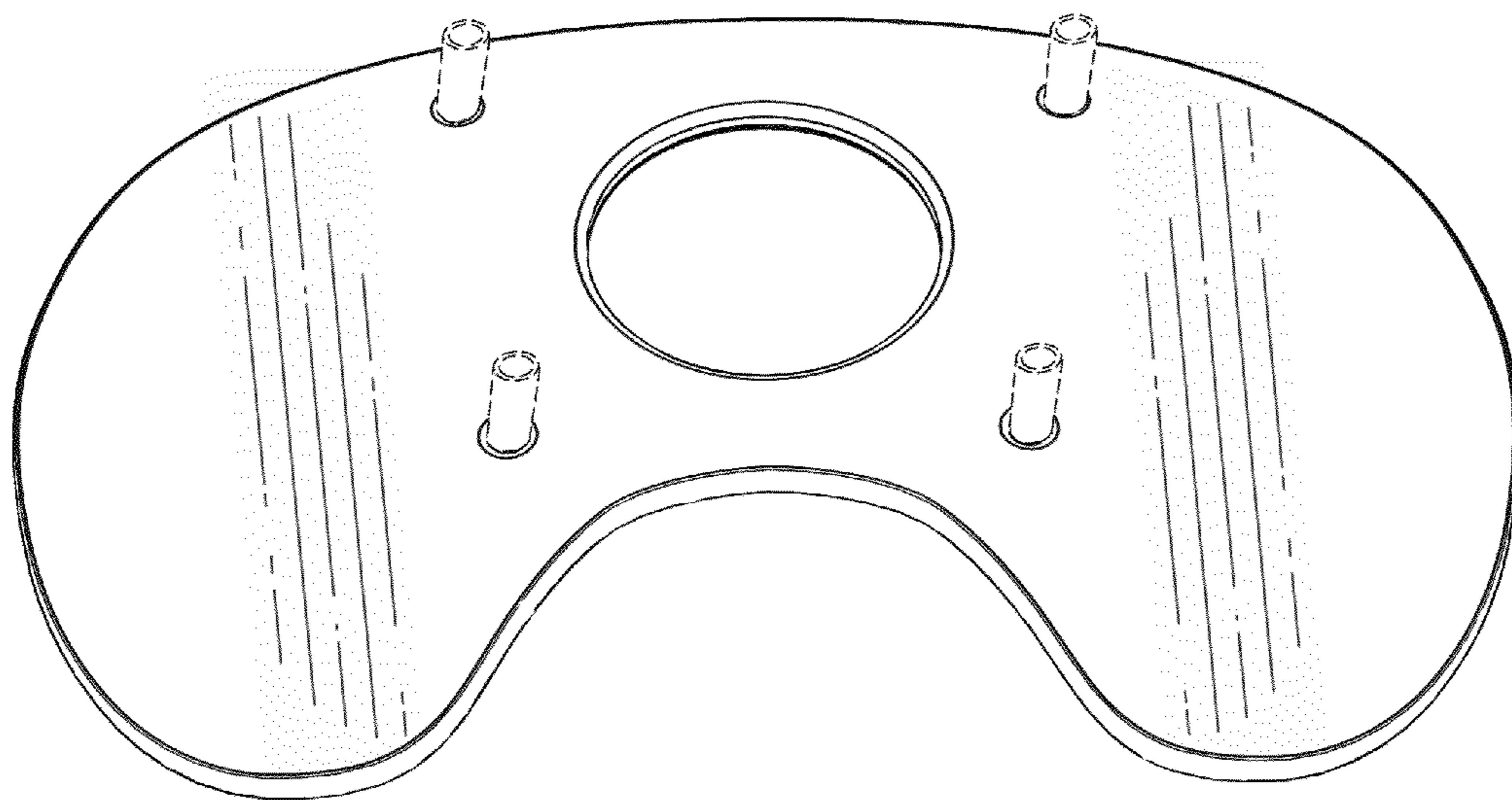


Fig._4

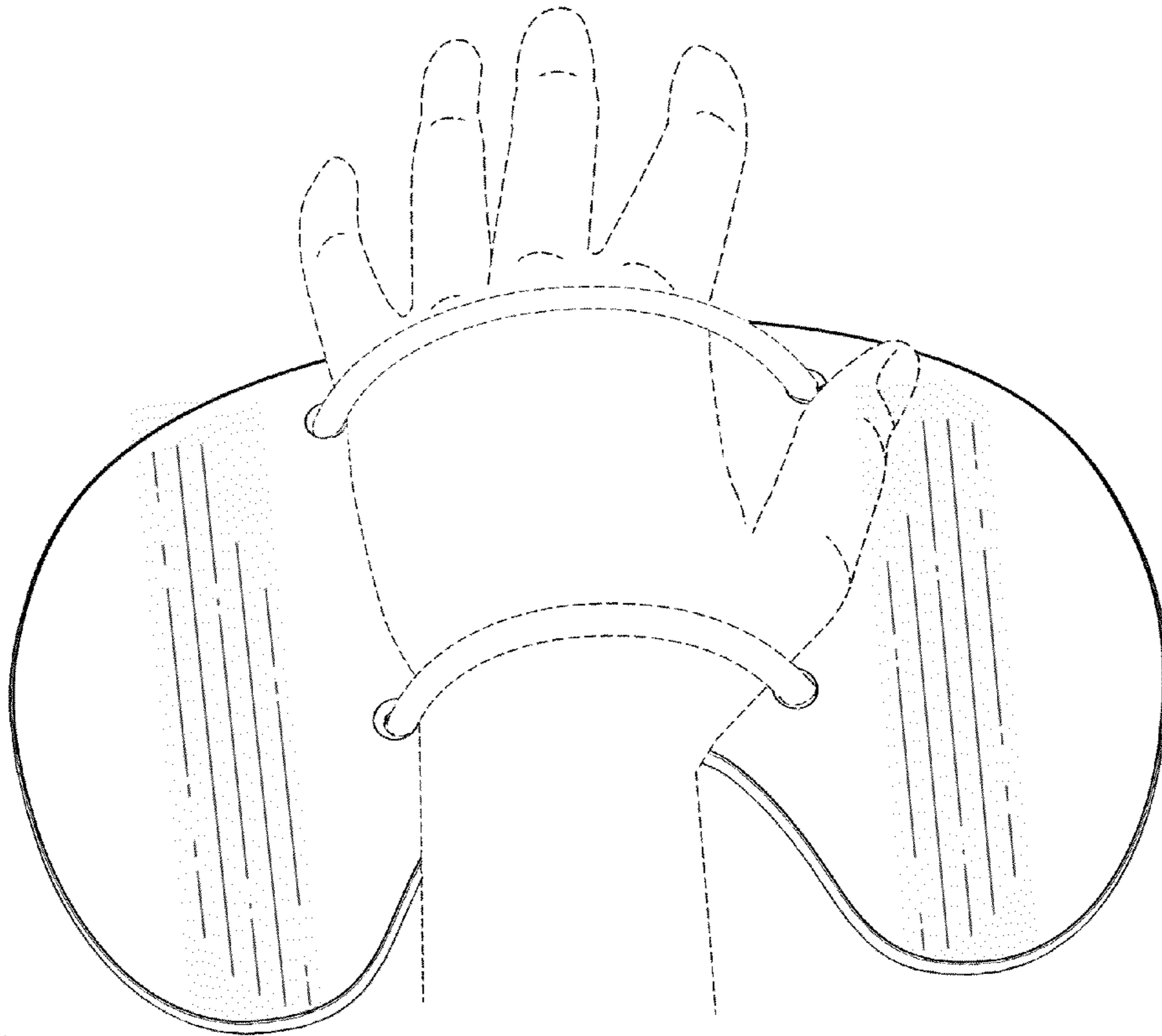


Fig._5

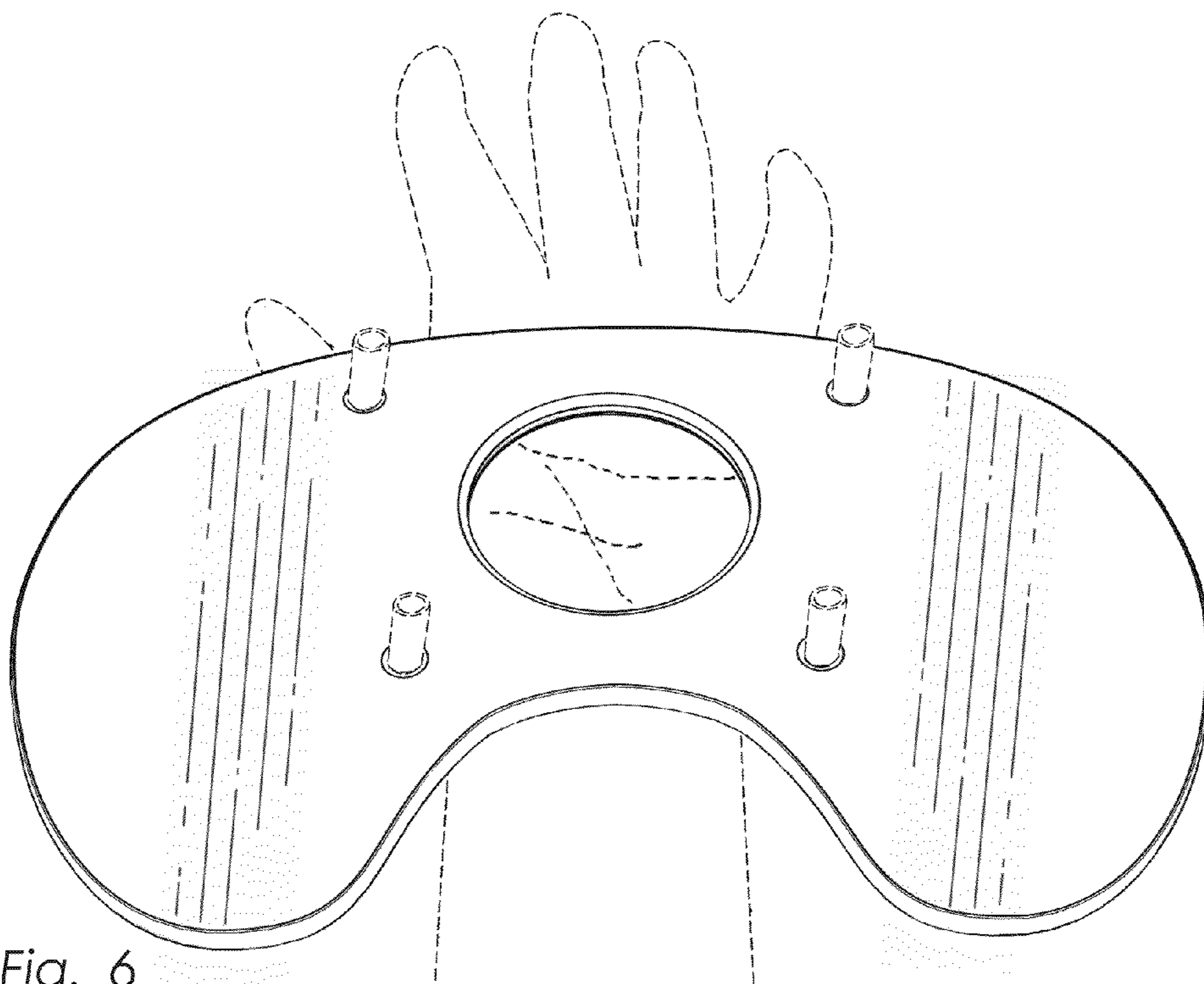


Fig._6

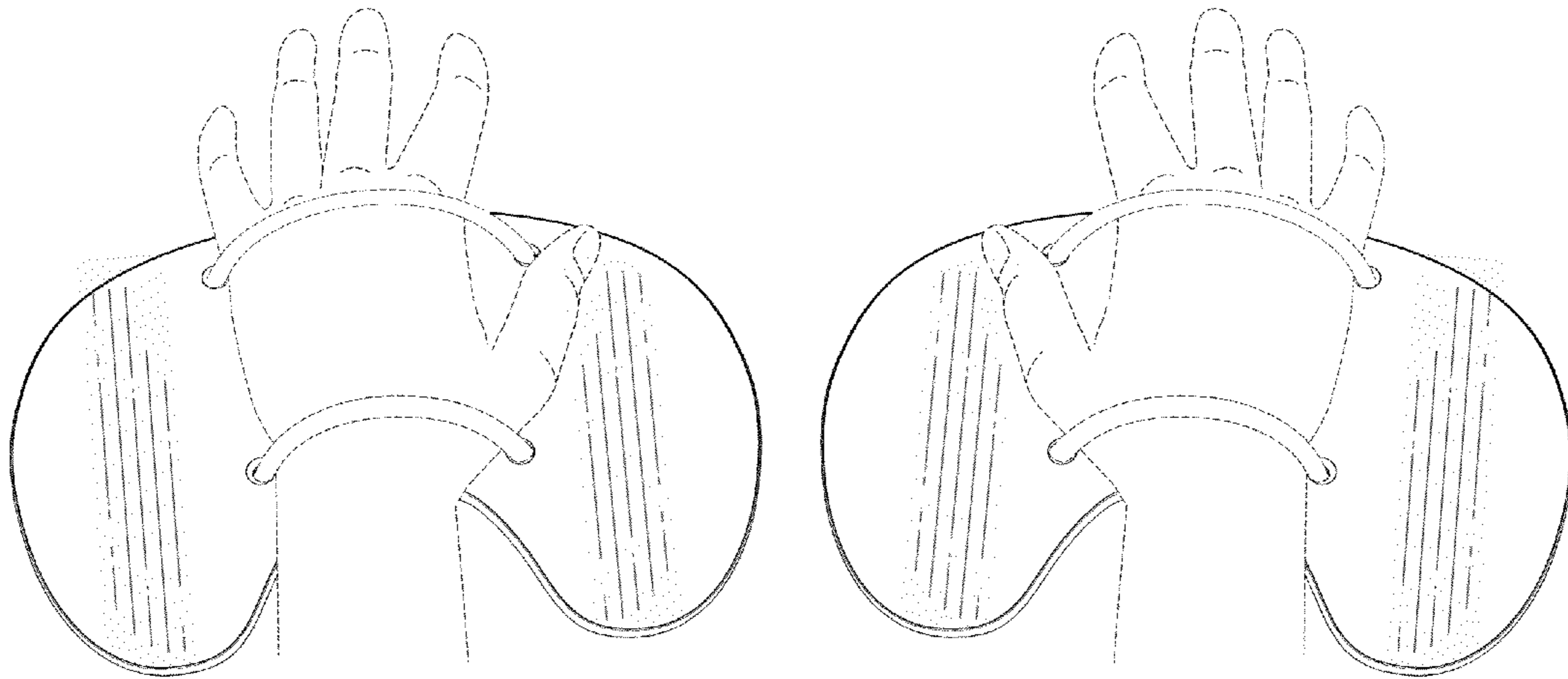


Fig._7

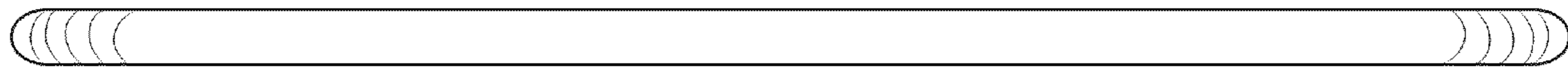


Fig._8



Fig._9



Fig.10