



US00D737915S

(12) **United States Design Patent**
Su

(10) **Patent No.:** **US D737,915 S**
(45) **Date of Patent:** **** Sep. 1, 2015**

(54) **TOY HANDLE**

(71) Applicant: **TAIWAN JOCA CORP.**, Taipei (TW)

(72) Inventor: **Tsang-Sheng Su**, Taipei (TW)

(73) Assignee: **TAIWAN JOCA CORP.**, Taipei (TW)

(**) Term: **14 Years**

(21) Appl. No.: **29/507,525**

(22) Filed: **Oct. 28, 2014**

(51) **LOC (10) Cl.** **21-02**

(52) **U.S. Cl.**
USPC **D21/756**

(58) **Field of Classification Search**
USPC D21/722-753, 756-759, 789, 791
CPC A63B 53/14; A63B 59/0014-59/0059;
A63B 49/08; A63B 2059/0018; A63B
2059/0022

See application file for complete search history.

(56) **References Cited**

U.S. PATENT DOCUMENTS

2,280,382	A *	4/1942	Davis	473/549
2,704,668	A *	3/1955	Park, Sr.	473/300
3,997,149	A *	12/1976	Stout	267/140
D343,666	S *	1/1994	Schmitt	D21/734
D356,616	S *	3/1995	Jacques	D21/756
D359,541	S *	6/1995	Lamanna	D21/757
D378,771	S *	4/1997	Antonious	D21/757
D464,386	S *	10/2002	Weng	D21/725
D477,046	S *	7/2003	Frank	D21/826
D622,341	S *	8/2010	Pepin	D21/756
D637,673	S *	5/2011	Lidenberg	D21/756
D695,862	S *	12/2013	Latruffe et al.	D21/756

* cited by examiner

Primary Examiner — Mitchell Siegel

(74) *Attorney, Agent, or Firm* — Kirton McConkie; Evan R. Witt

(57) **CLAIM**

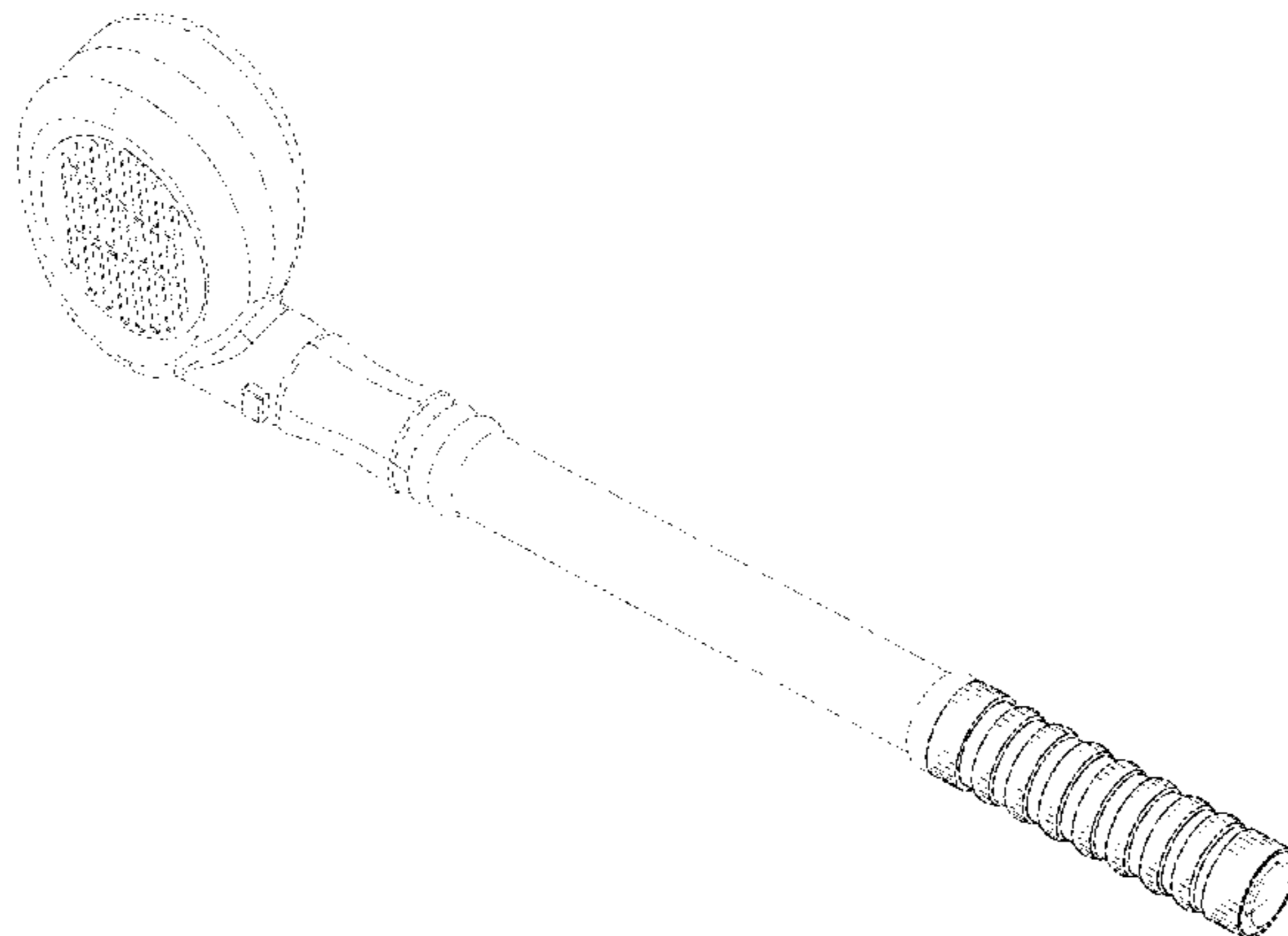
The ornamental design for a toy handle, as shown and described.

DESCRIPTION

FIG. 1 is a perspective view of a first embodiment of a toy handle showing our new design;
 FIG. 2 is another perspective view thereof;
 FIG. 3 is a front elevation view thereof;
 FIG. 4 is a rear elevation view thereof;
 FIG. 5 is a right side elevation view thereof;
 FIG. 6 is a left side elevation view thereof;
 FIG. 7 is a top plan view thereof;
 FIG. 8 is a bottom plan view thereof;
 FIG. 9 is a perspective view of a second embodiment of a toy handle showing our new design;
 FIG. 10 is another perspective view thereof;
 FIG. 11 is a perspective view of a third embodiment of a toy handle showing our new design;
 FIG. 12 is another perspective view thereof;
 FIG. 13 is a perspective view of a fourth embodiment of a toy handle showing our new design;
 FIG. 14 is another perspective view thereof;
 FIG. 15 is a perspective view of a fifth embodiment of a toy handle showing our new design;
 FIG. 16 is another perspective view thereof;
 FIG. 17 is a perspective view of a sixth embodiment of a toy handle showing our new design;
 FIG. 18 is another perspective view thereof;
 FIG. 19 is a perspective view of a seventh embodiment of a toy handle showing our new design;
 FIG. 20 is another perspective view thereof;
 FIG. 21 is a perspective view of an eighth embodiment of a toy handle showing our new design;
 FIG. 22 is another perspective view thereof;
 FIG. 23 is a perspective view of a ninth embodiment of a toy handle showing our new design; and,
 FIG. 24 is another perspective view thereof.

The broken lines are for the purpose of illustrating portions of the toy handle and form no part of the claimed design.

1 Claim, 23 Drawing Sheets



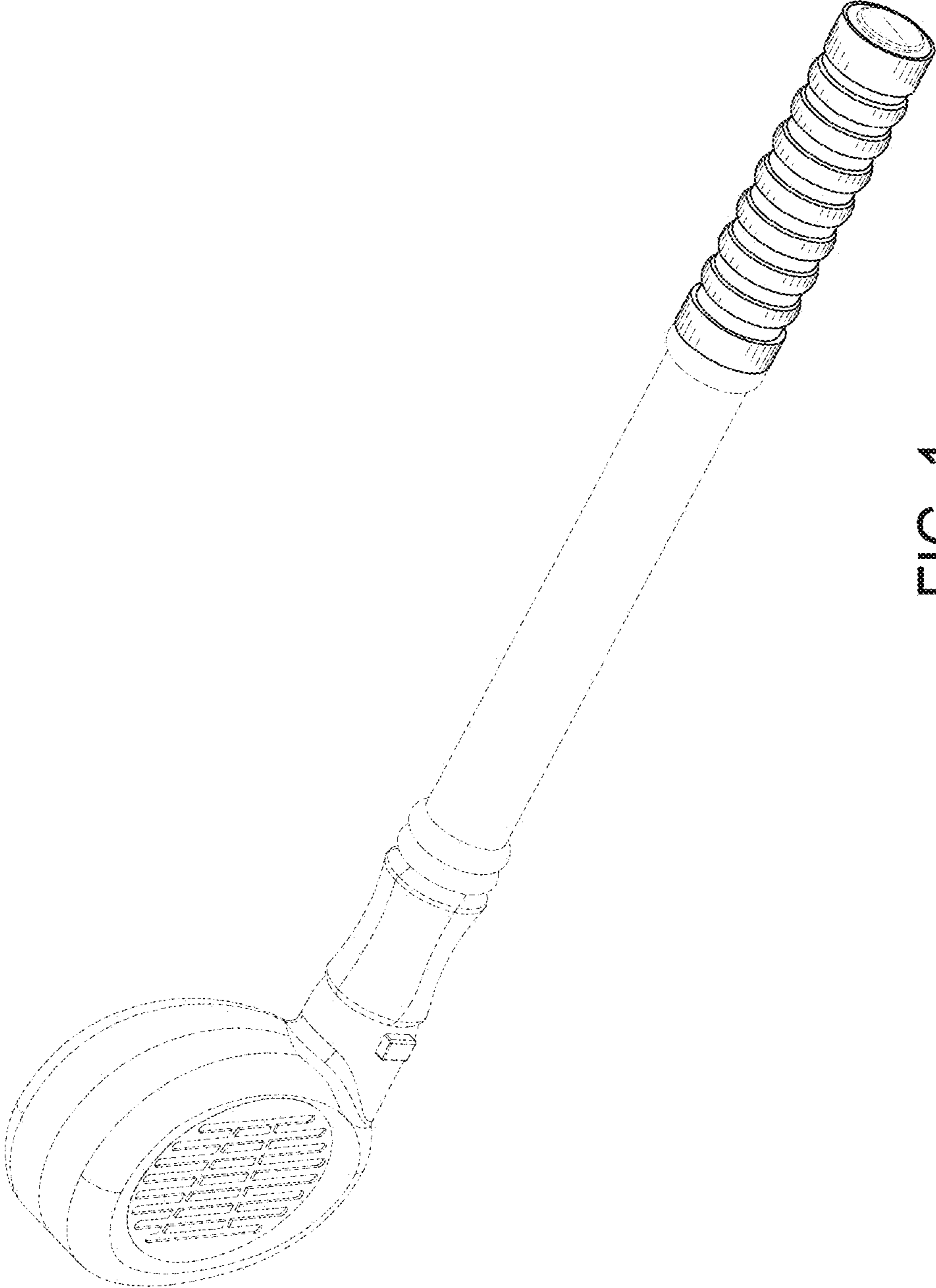


FIG. 1

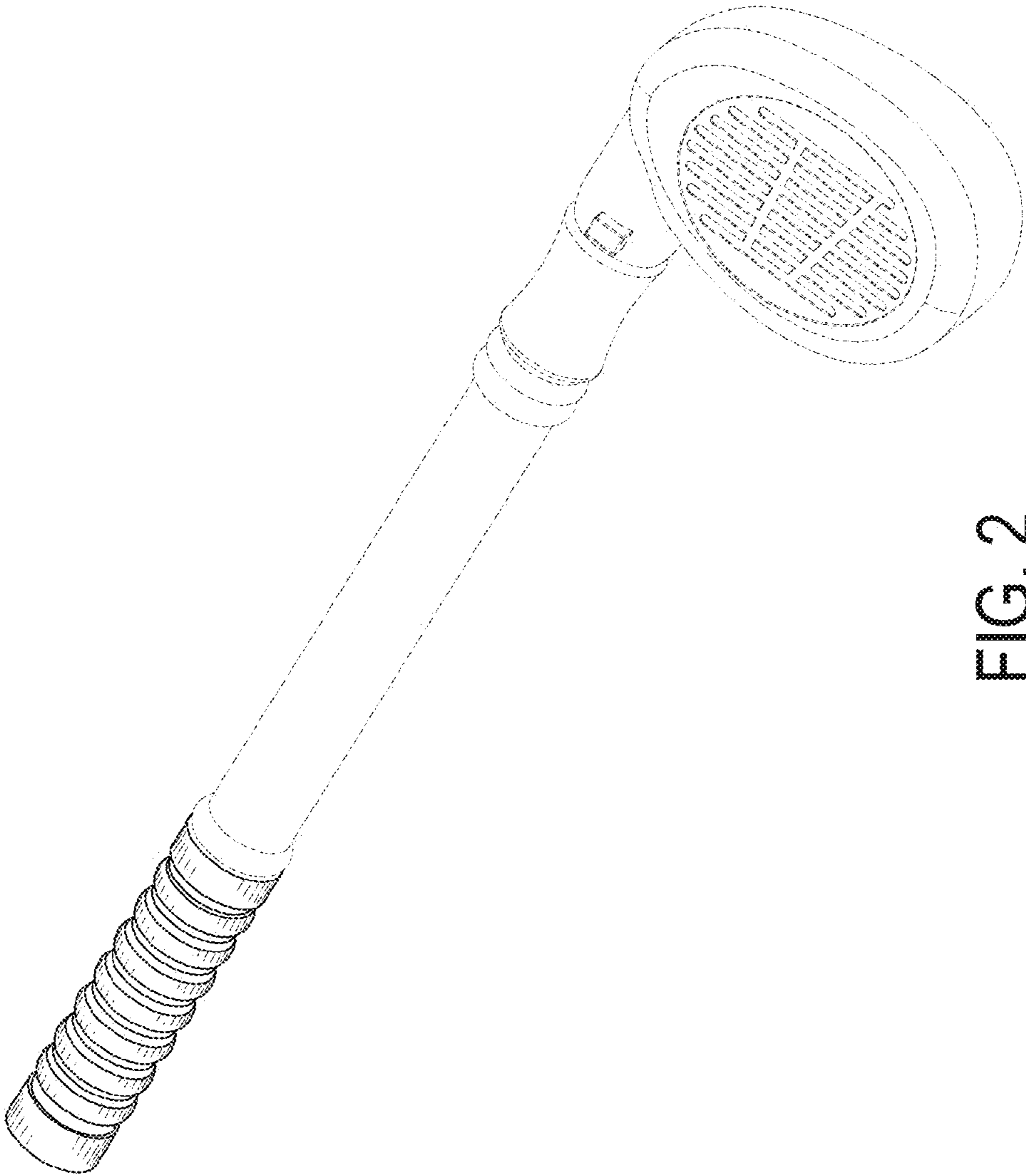


FIG. 2



FIG. 3



FIG. 4

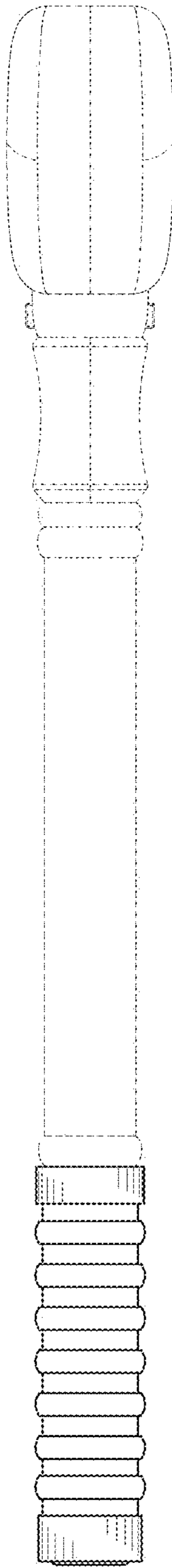


FIG. 5

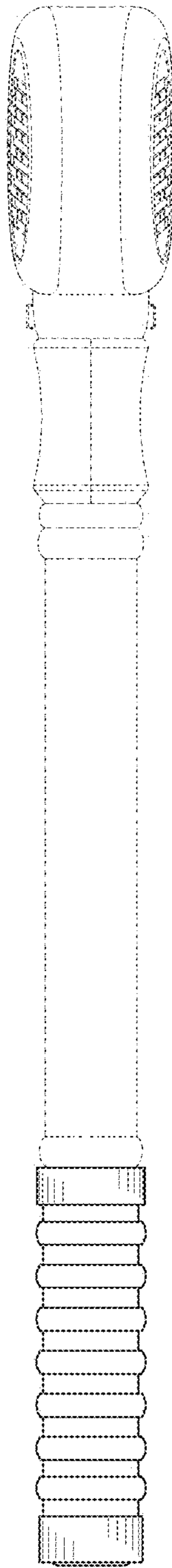


FIG. 6

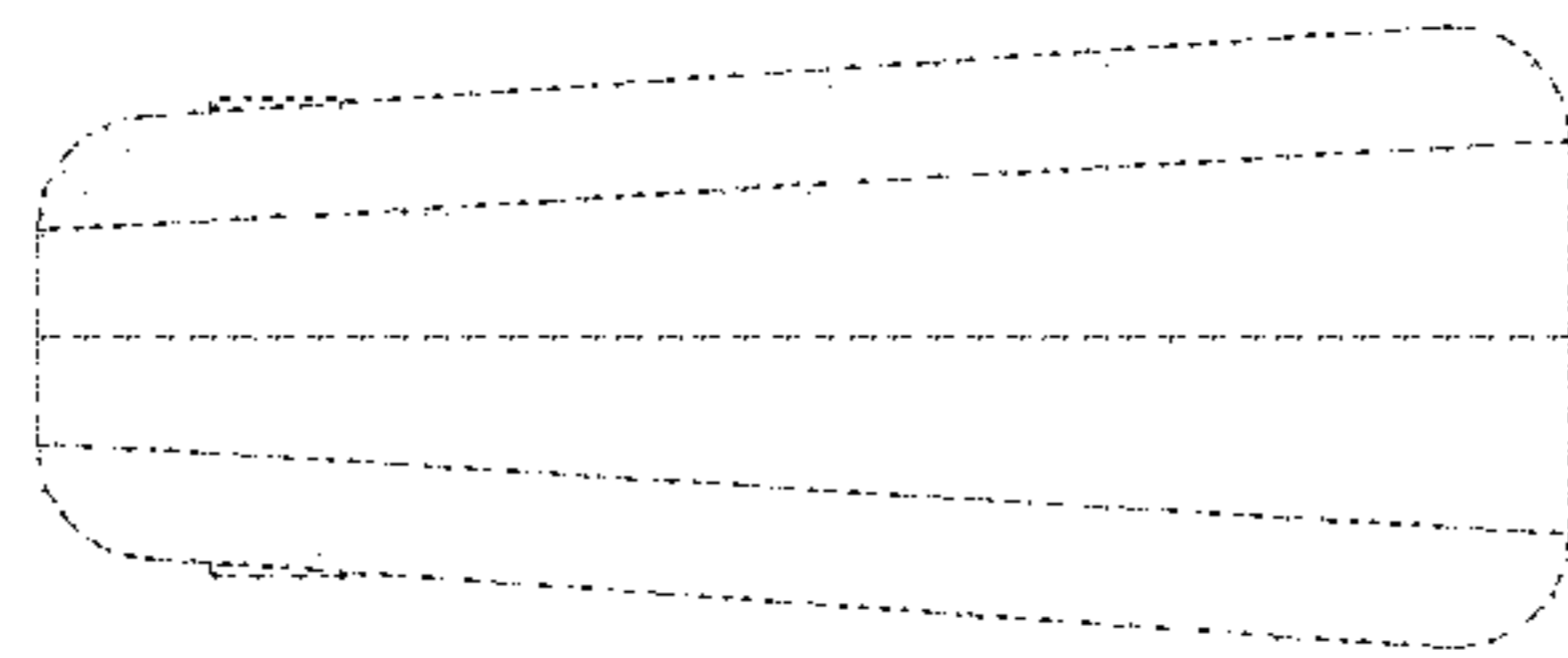


FIG. 7

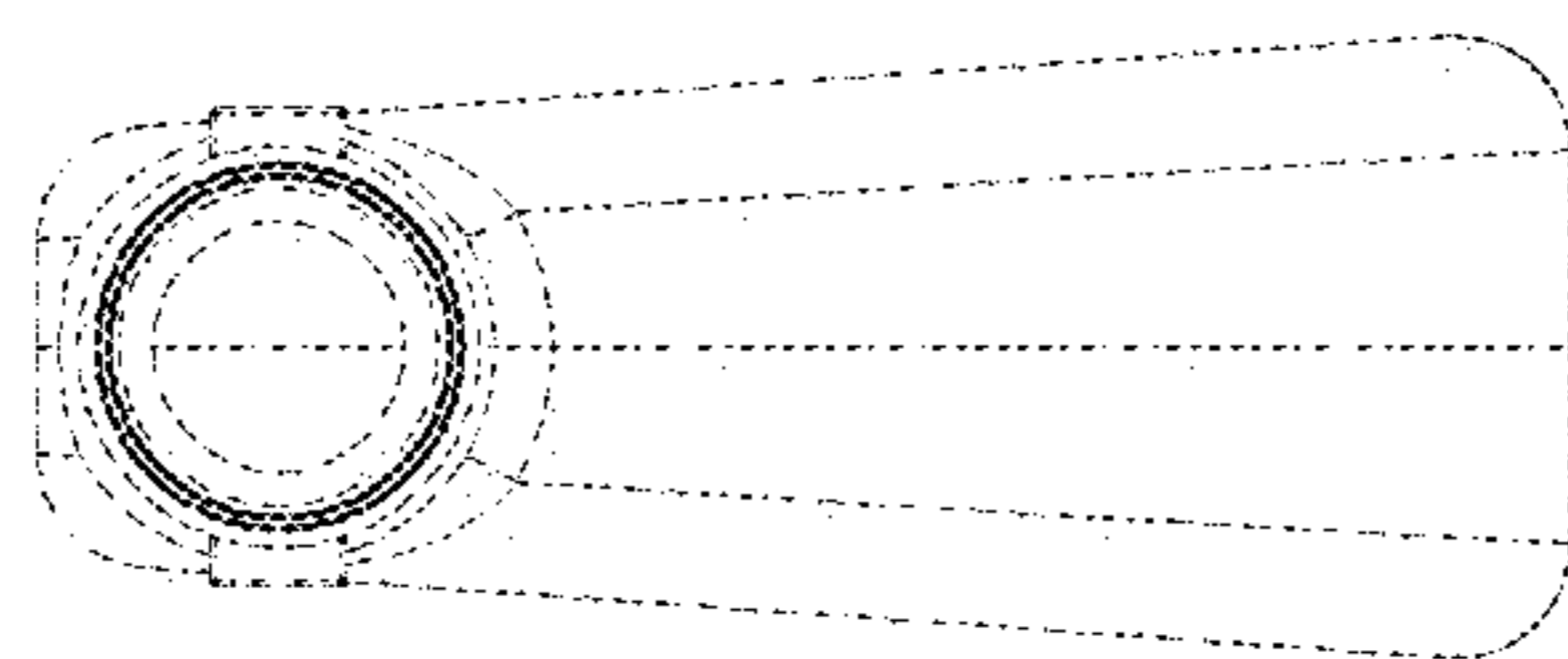


FIG. 8

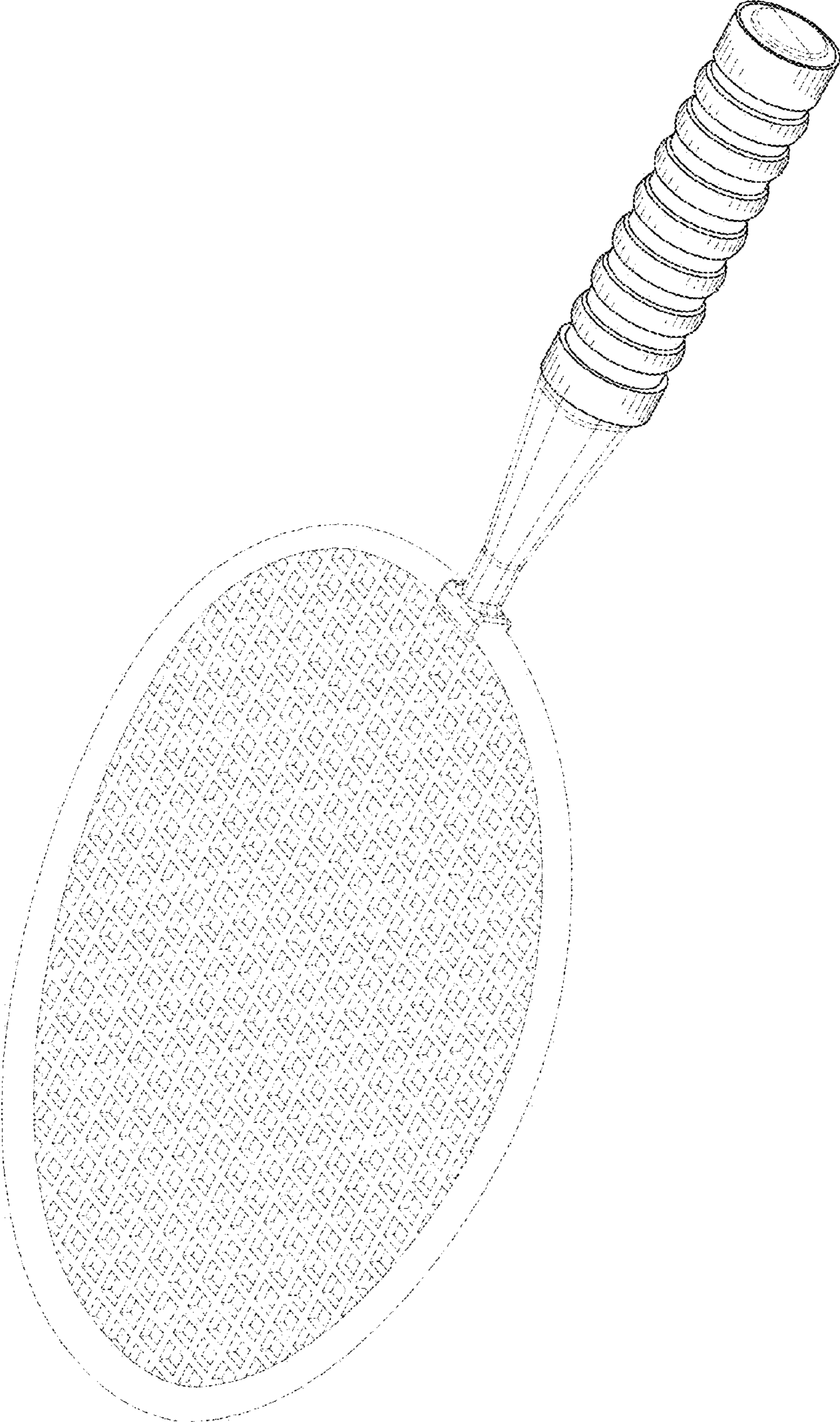


FIG. 9

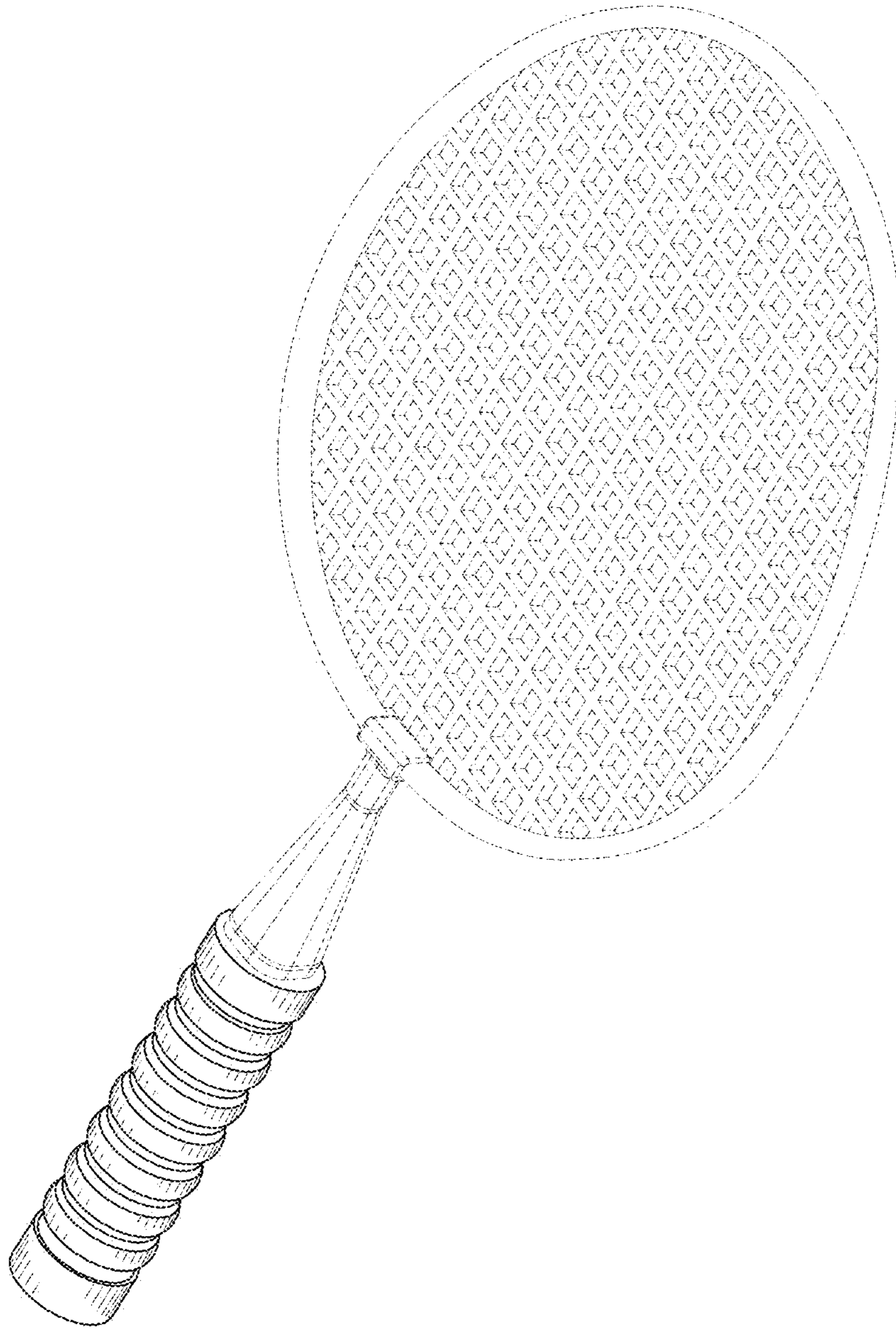


FIG. 10

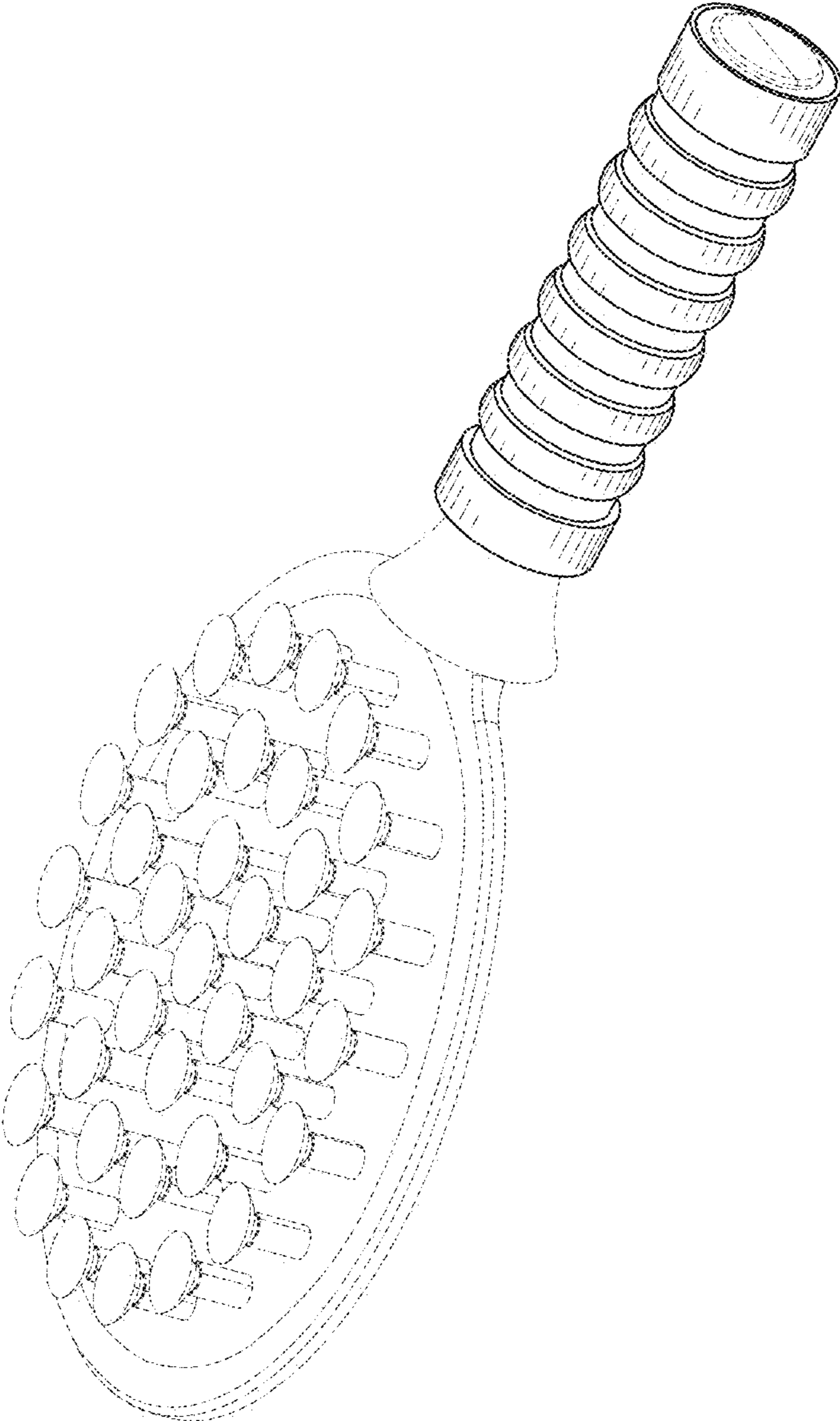


FIG. 11

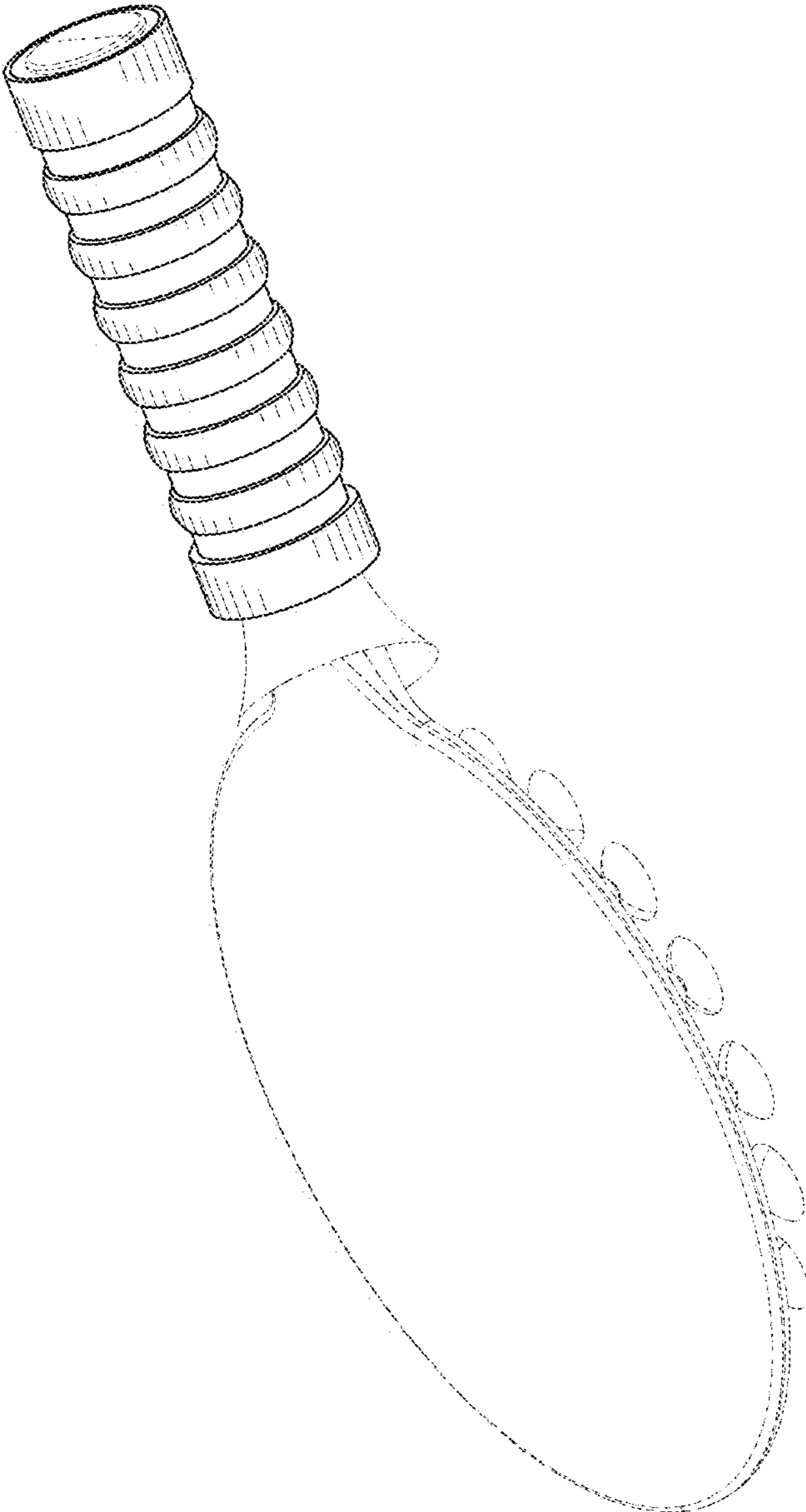


FIG. 12

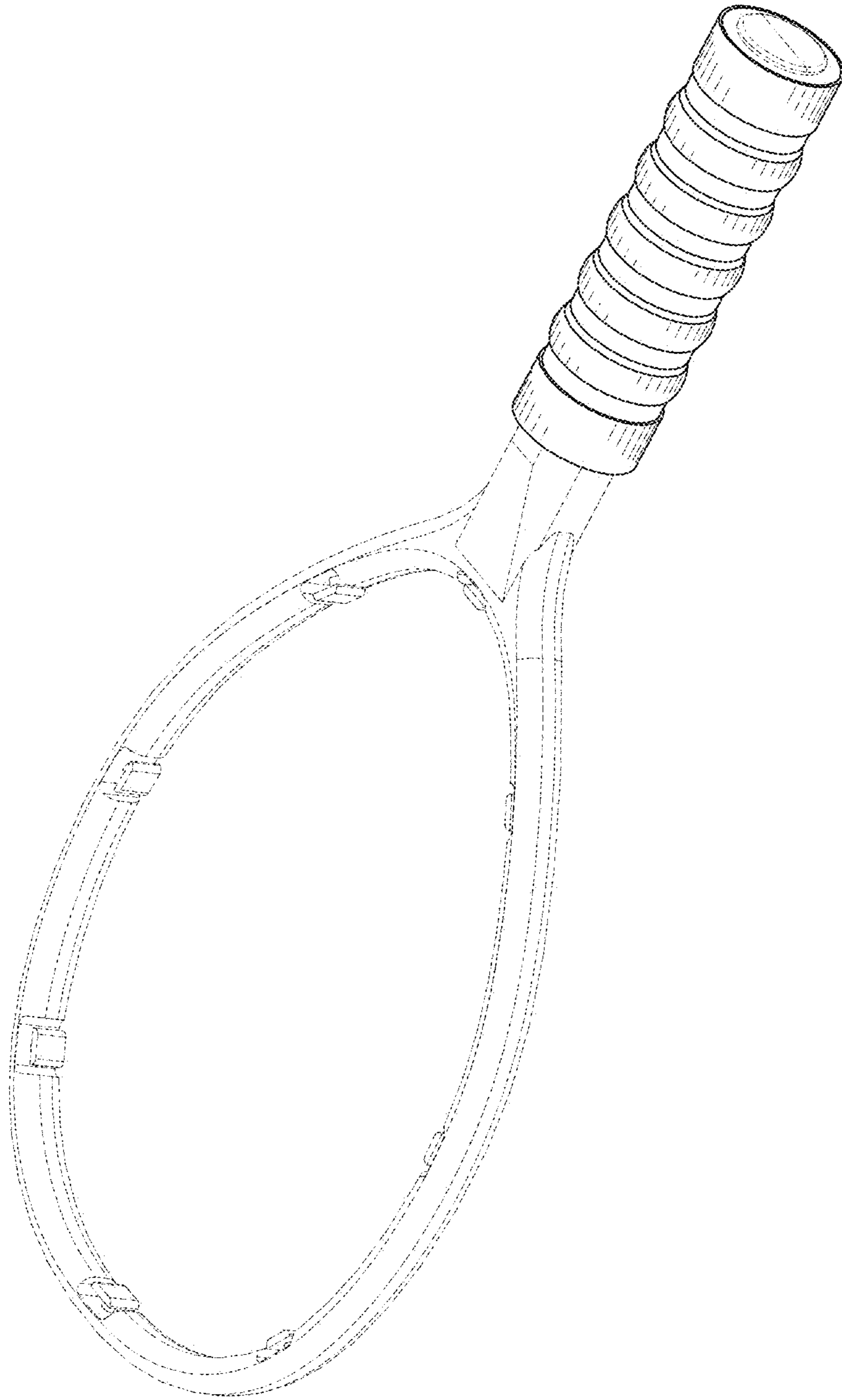


FIG. 13

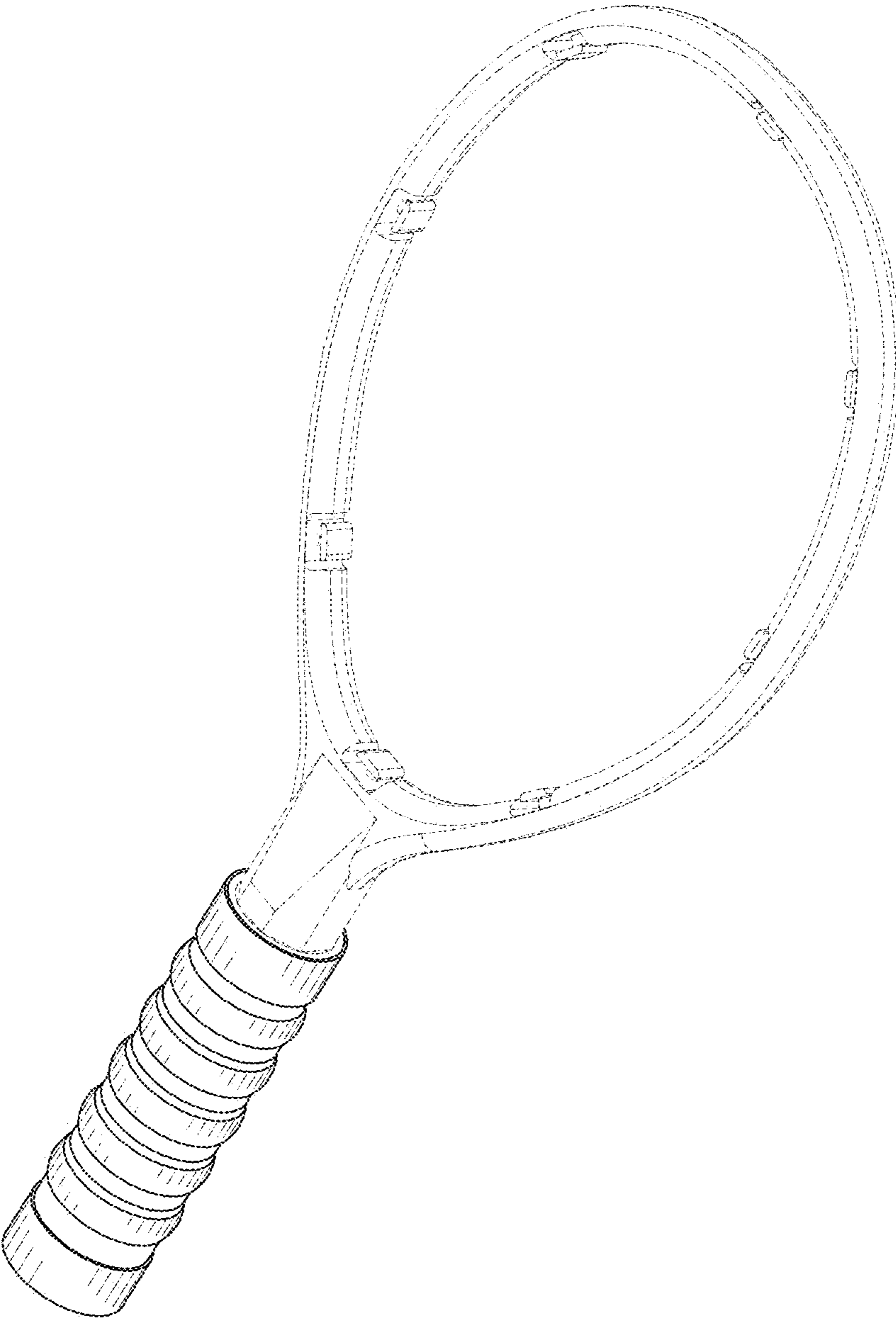


FIG. 14

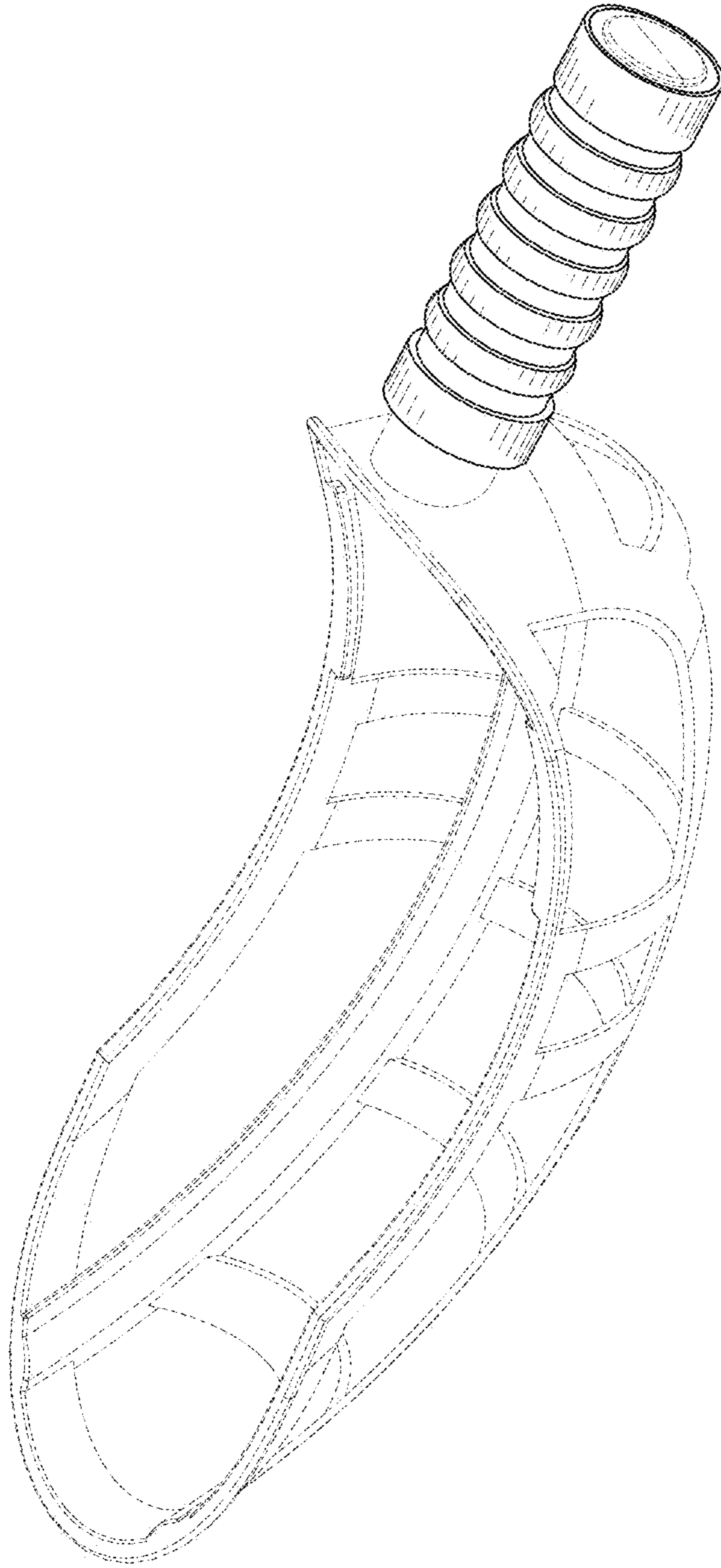


FIG. 15

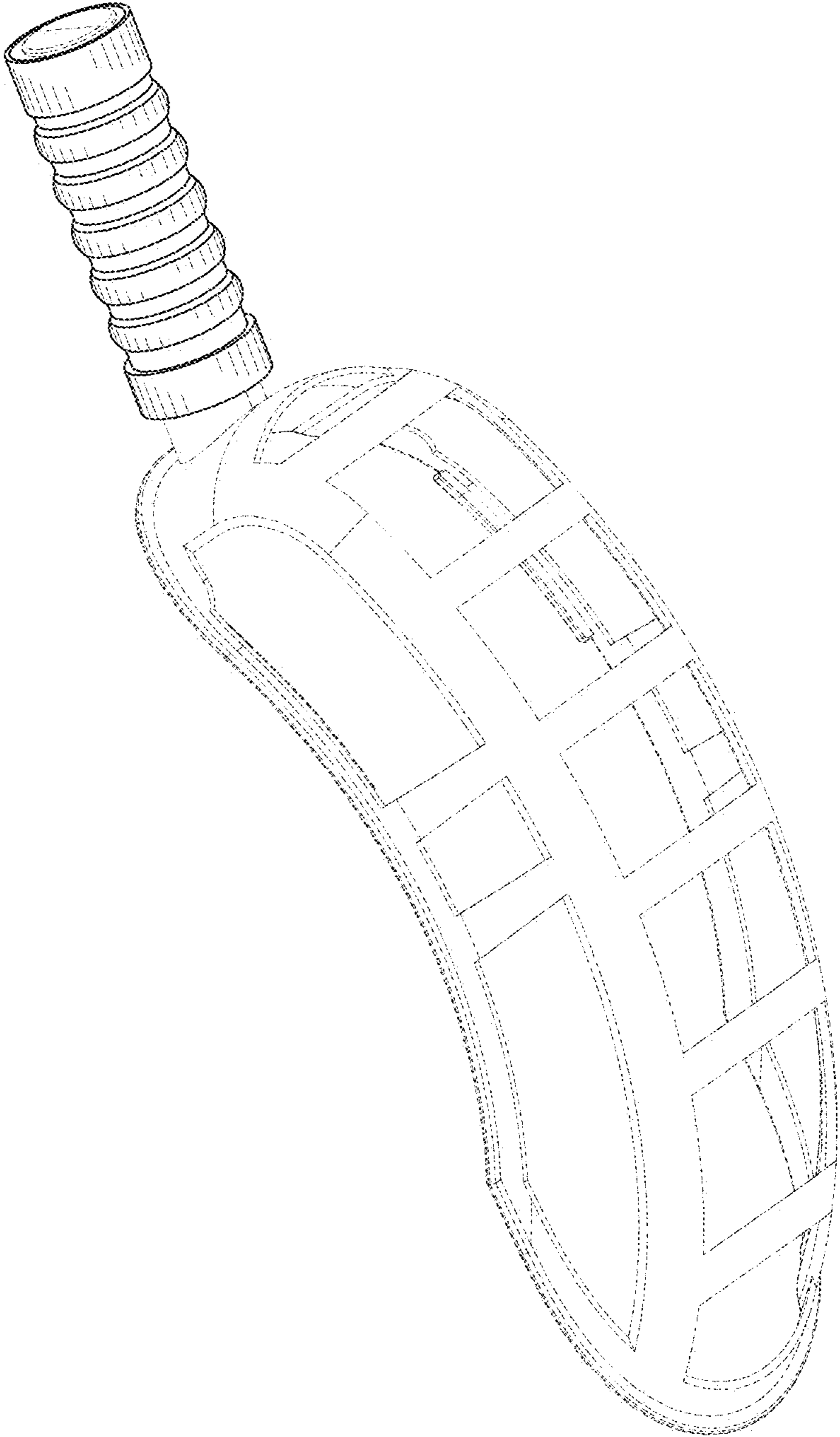


FIG. 16

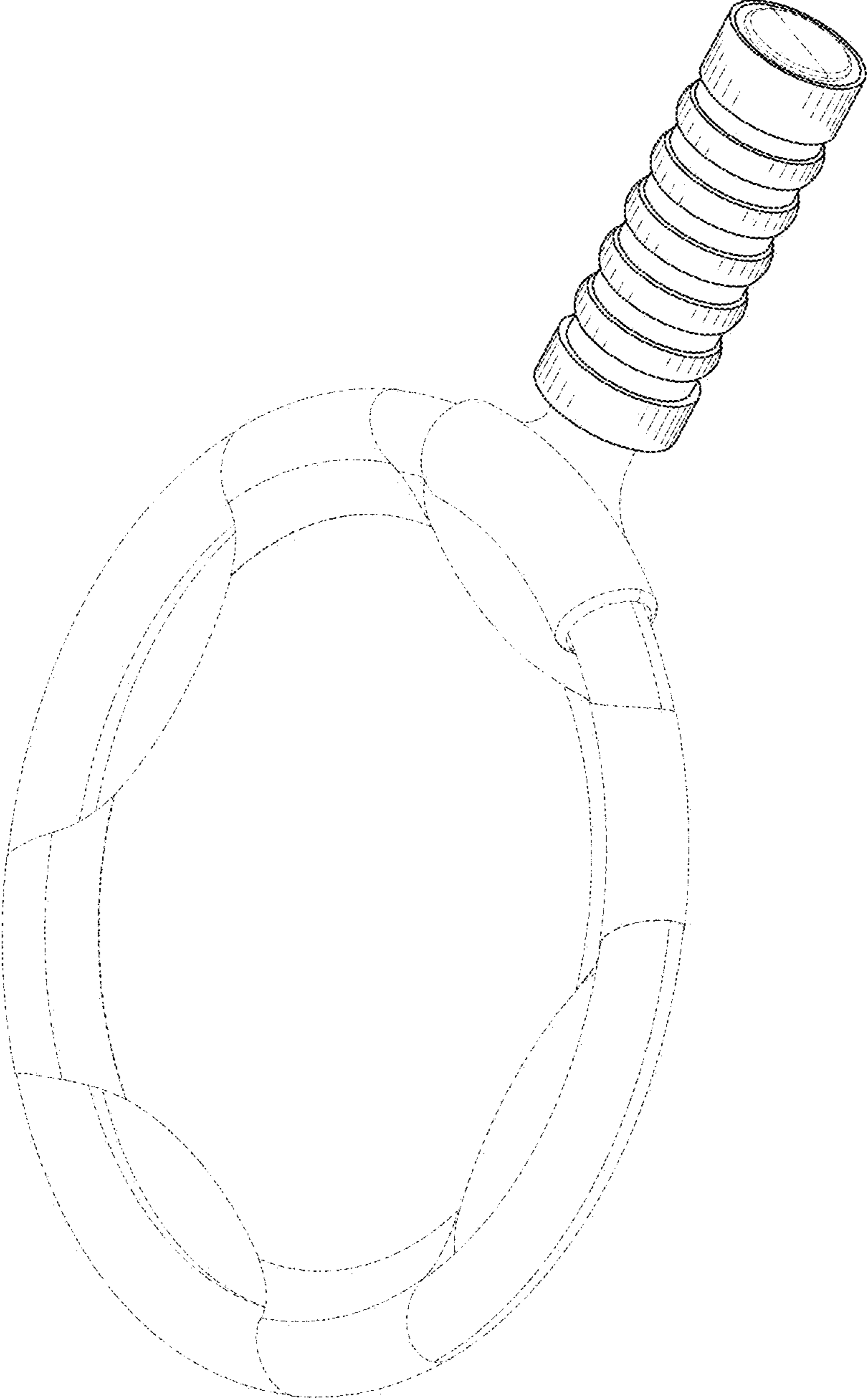


FIG. 17

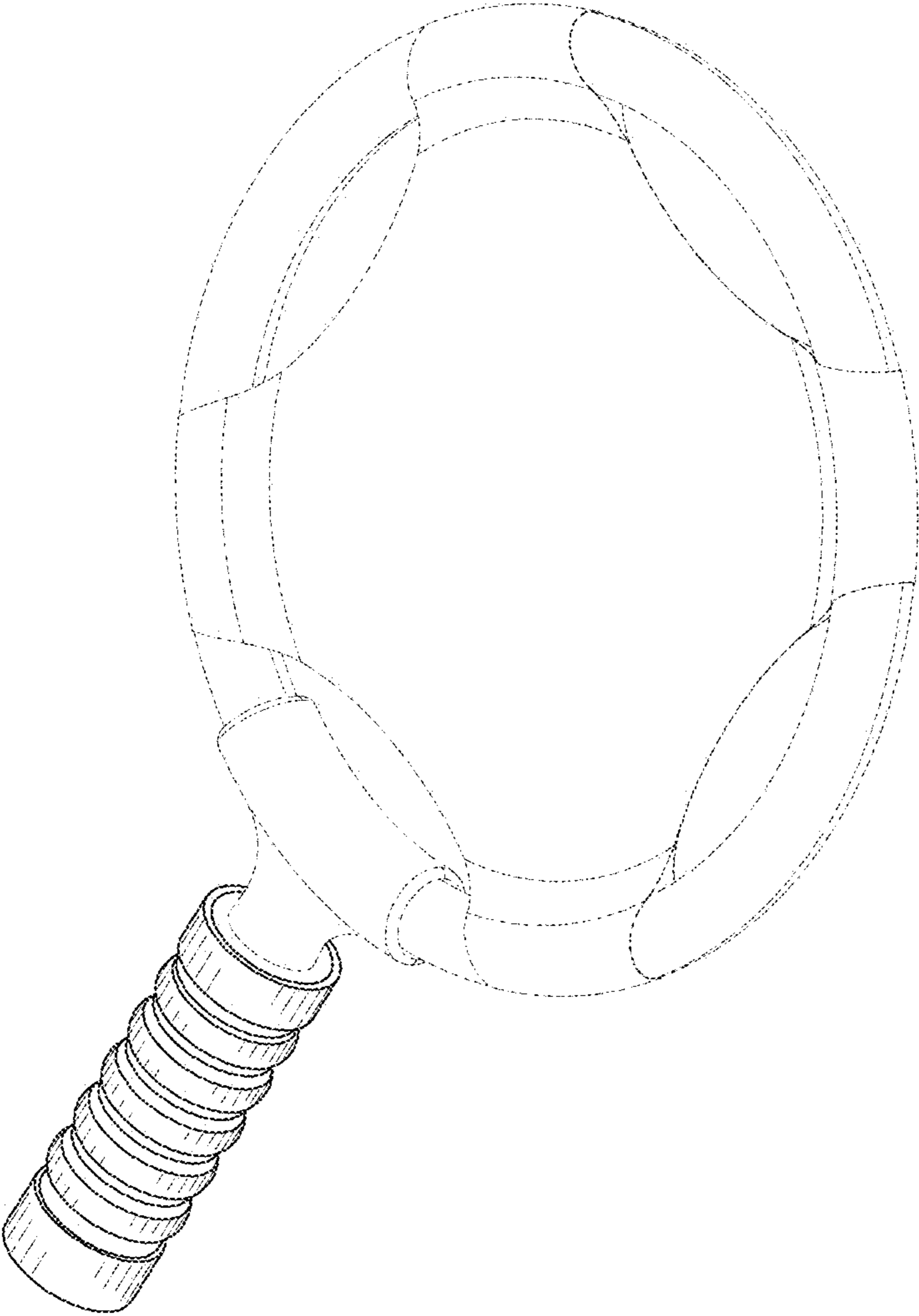


FIG. 18

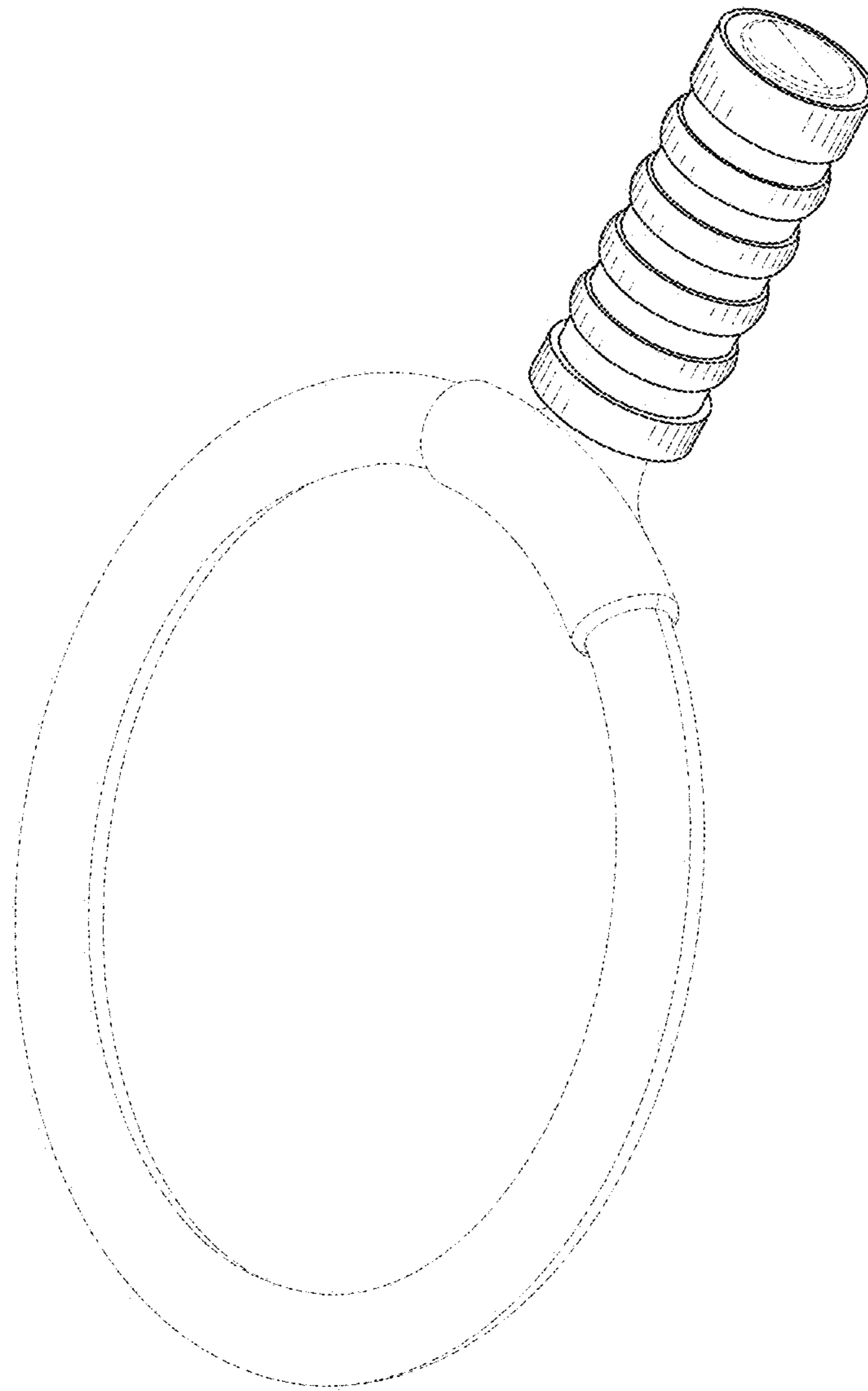


FIG. 19

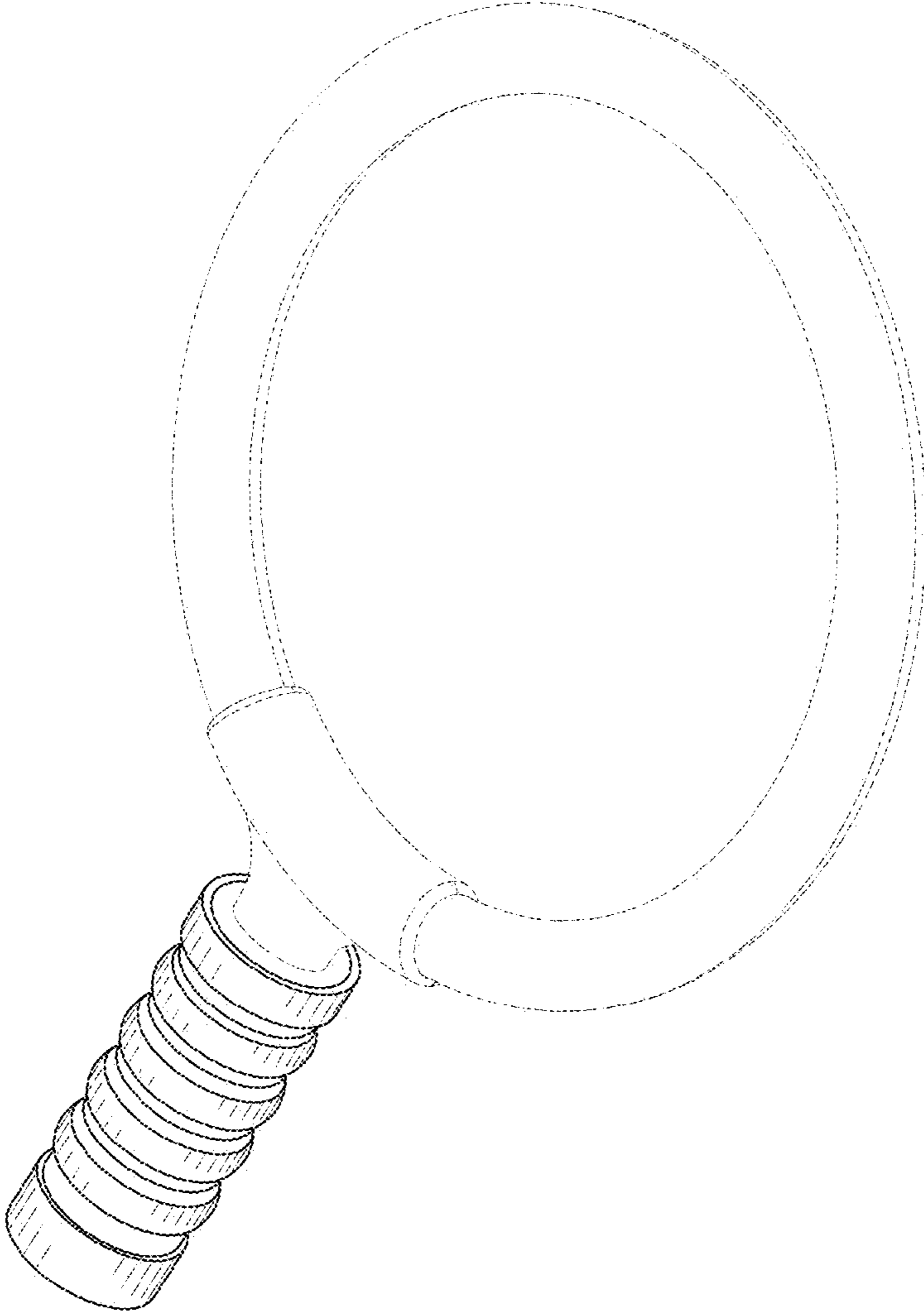


FIG. 20

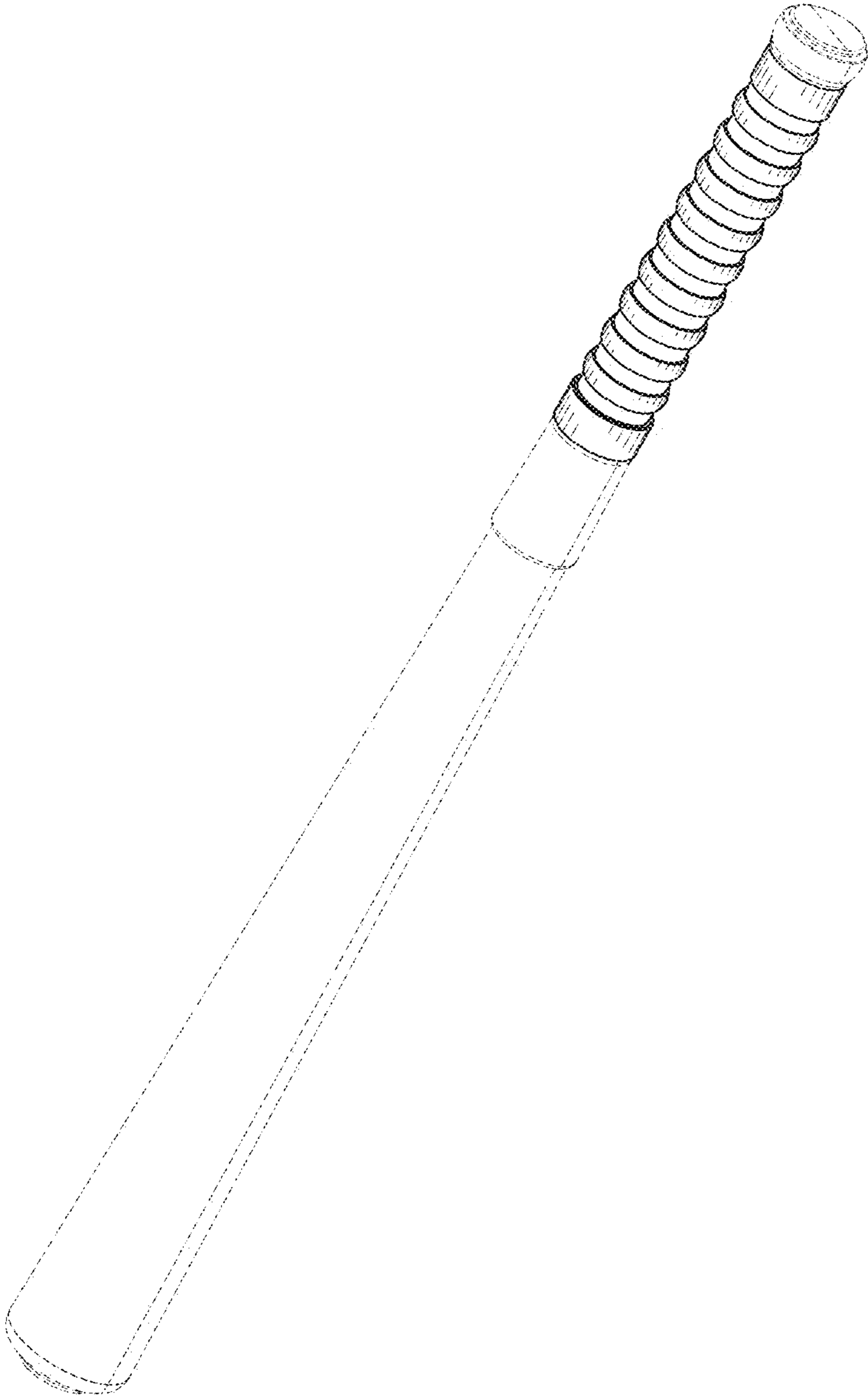


FIG. 21

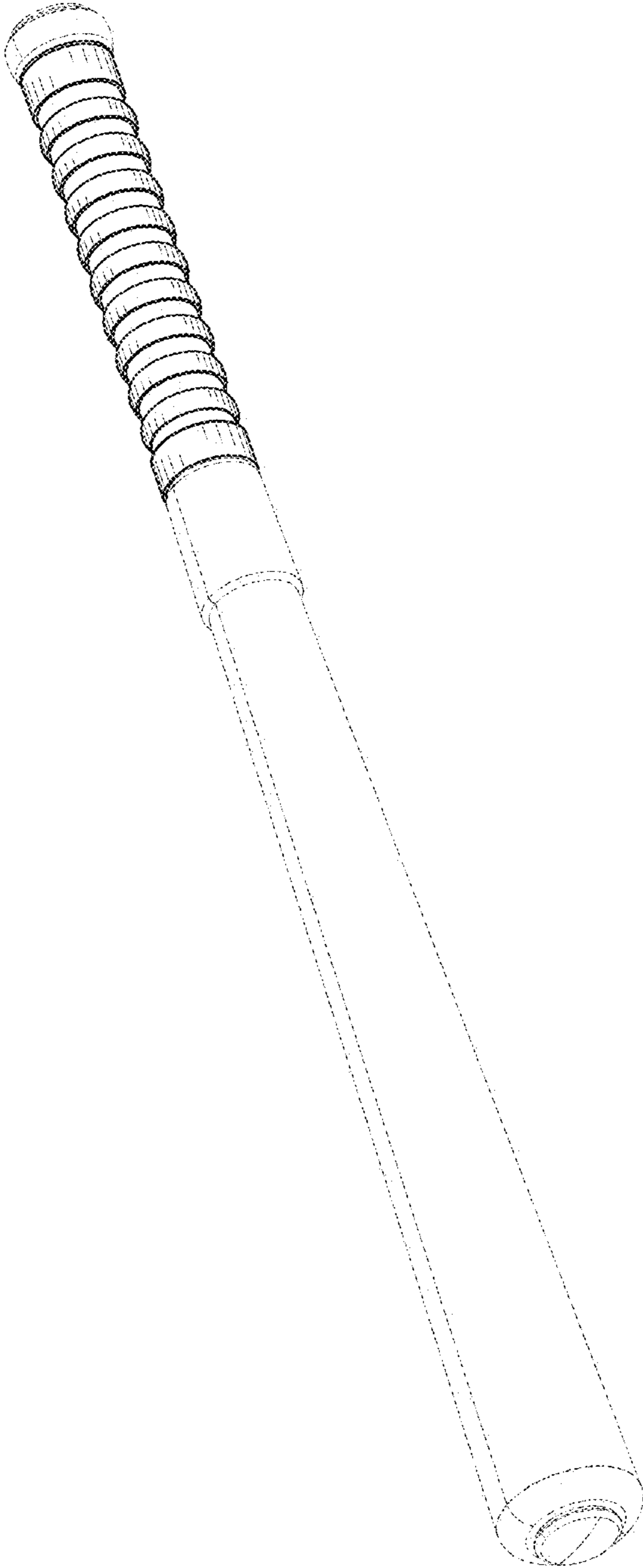


FIG. 22

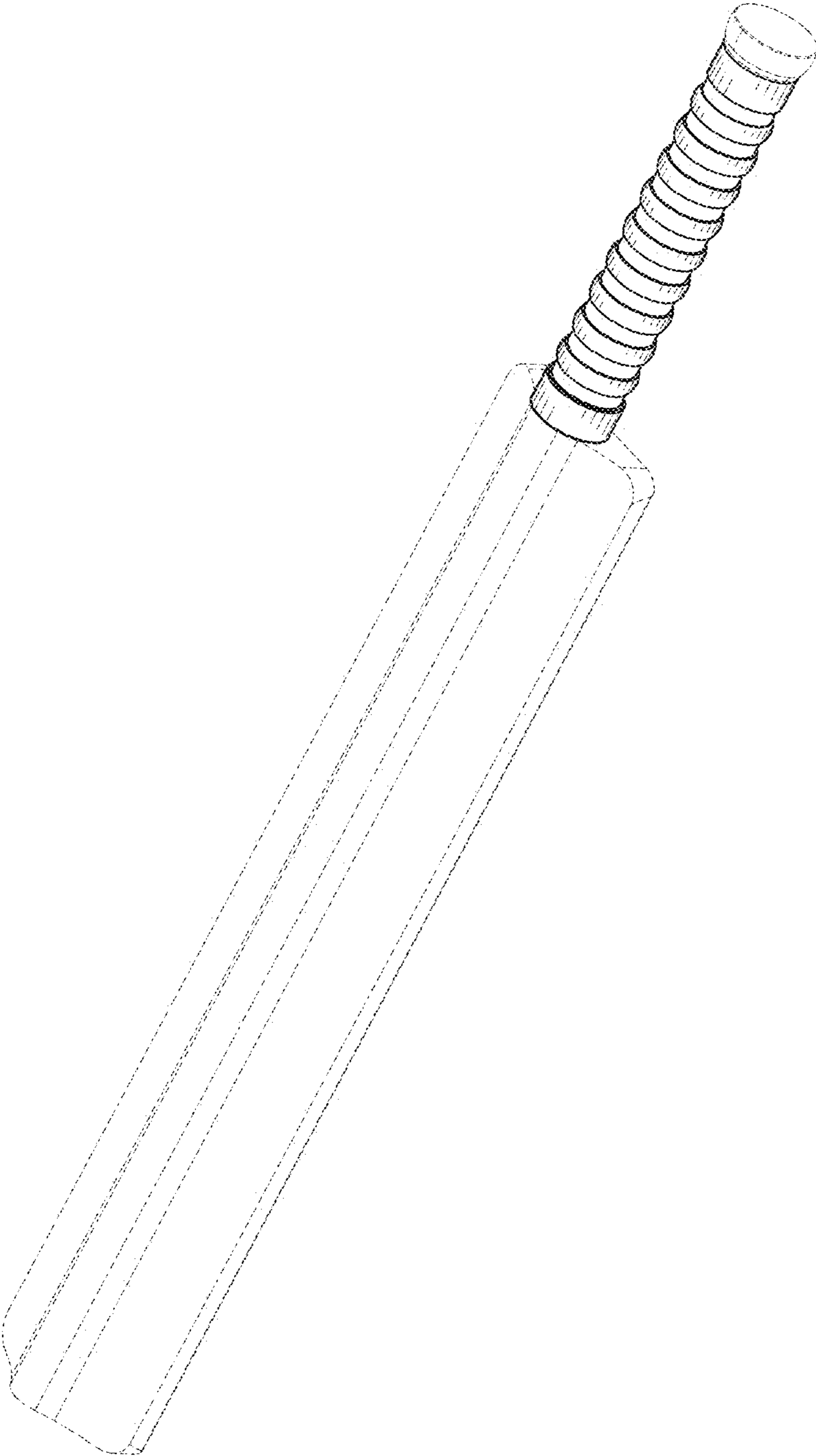


FIG. 23

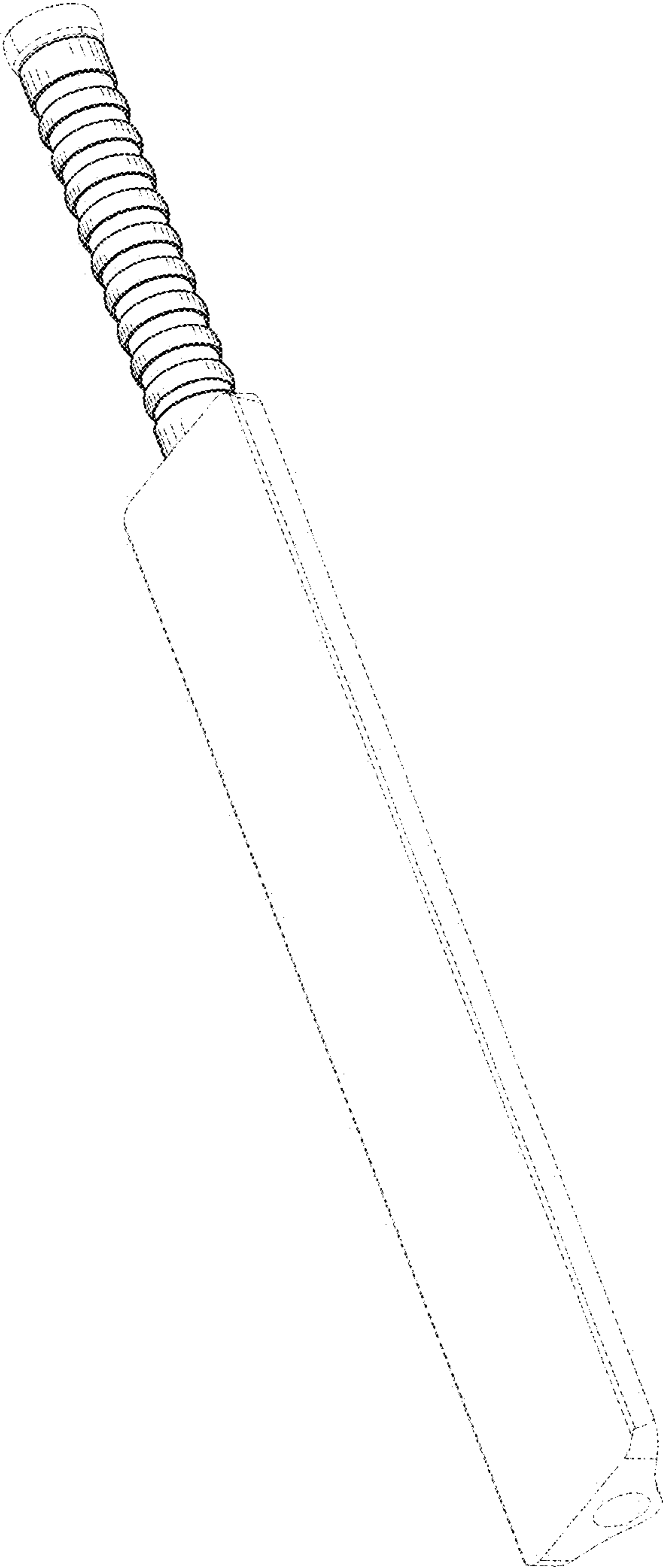


FIG. 24