



US00D737913S

(12) **United States Design Patent**
Taylor et al.

(10) **Patent No.:** **US D737,913 S**
(45) **Date of Patent:** **** *Sep. 1, 2015**

(54) **IRON CLUB HEAD**

FOREIGN PATENT DOCUMENTS

(71) Applicant: **Taylor Made Golf Company, Inc.**,
Carlsbad, CA (US)

CN 2436182 6/2001
CN 201353407 12/2009

(Continued)

(72) Inventors: **Scott Taylor**, Bonita, CA (US); **Robert Nunez**, Vista, CA (US); **Chad Allen Farley**, Carlsbad, CA (US)

OTHER PUBLICATIONS

Adams Golf Speedline F11 Ti 14.5 degree fairway wood, 2pp. (www.bombsquadgolf.com, posted Oct. 18, 2010).

(Continued)

(73) Assignee: **Taylor Made Golf Company, Inc.**,
Carlsbad, CA (US)

(*) Notice: This patent is subject to a terminal disclaimer.

Primary Examiner — Mitchell Siegel

(74) *Attorney, Agent, or Firm* — Klarquist Sparkman, LLP

(**) Term: **14 Years**

(57) **CLAIM**

I claim the ornamental design for an iron club head, as shown and described.

(21) Appl. No.: **29/494,680**

(22) Filed: **Jun. 23, 2014**

DESCRIPTION

(51) **LOC (10) Cl.** **21-02**

(52) **U.S. Cl.**
USPC **D21/747**

(58) **Field of Classification Search**
USPC D21/747-751, 759
CPC A63B 53/00; A63B 53/04; A63B 53/047;
A63B 53/0475

See application file for complete search history.

FIG. 1 is a perspective view of an iron club head, as viewed from the toe and rear sides, according to an embodiment of the design.

FIG. 2 is a front elevation view of the iron club head of FIG. 1.

FIG. 3 is a rear elevation view of the iron club head of FIG. 1. FIG. 4 is a side elevation view from a toe side of the iron club head of FIG. 1.

FIG. 5 is a side elevation view from an opposite heel side of the iron club head of FIG. 1.

FIG. 6 is a top plan view of the iron club head of FIG. 1.

FIG. 7 is a bottom plan view of the iron club head of FIG. 1; and,

FIG. 8 is a perspective view of the iron club head of FIG. 1, as viewed from the heel and bottom sides.

The dashed lines in the drawings are for purposes of illustrating environmental structure as well as portions of the design that form no part of the claimed design.

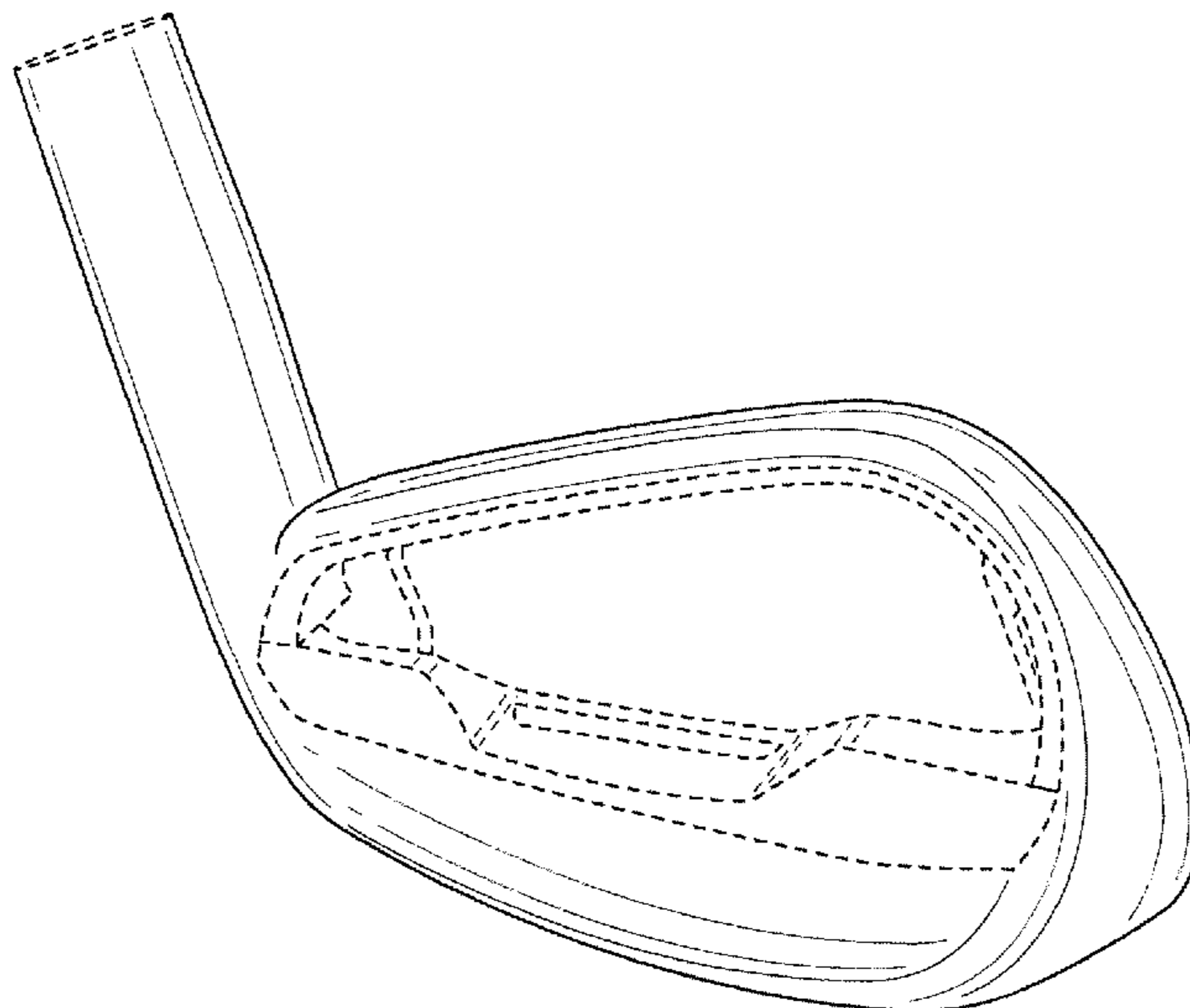
(56) **References Cited**

U.S. PATENT DOCUMENTS

4,398,965	A	8/1983	Campau
D307,455	S	4/1990	Boone
D307,617	S	5/1990	Boone
5,050,879	A	9/1991	Sun et al.
D331,087	S	11/1992	Fenton
D339,397	S	9/1993	Iinuma
D340,753	S	10/1993	Miesch
D345,775	S	4/1994	Poincenot et al.

(Continued)

1 Claim, 5 Drawing Sheets



(56)

References Cited

U.S. PATENT DOCUMENTS

D349,142 S 7/1994 Boone
 D350,581 S 9/1994 Boone
 D350,583 S 9/1994 Boone
 5,419,556 A 5/1995 Take
 D381,726 S 7/1997 Sugo
 D388,143 S 12/1997 Huan-Chiang
 D398,353 S 9/1998 Wooten
 6,348,013 B1 2/2002 Kosmatka
 D464,387 S * 10/2002 Rollinson et al. D21/748
 D464,693 S * 10/2002 Rollinson et al. D21/748
 6,558,273 B2 5/2003 Kobayashi et al.
 6,638,180 B2 10/2003 Tsurumaki
 6,663,506 B2 12/2003 Nishimoto et al.
 D496,419 S * 9/2004 Lang et al. D21/747
 D498,277 S * 11/2004 Lang et al. D21/747
 6,835,145 B2 12/2004 Tsurumaki
 D501,903 S 2/2005 Tanaka
 6,887,165 B2 5/2005 Tsurumaki
 D512,757 S * 12/2005 Cleveland et al. D21/747
 D518,123 S 3/2006 Jones et al.
 D526,038 S 8/2006 Kelley
 D532,848 S * 11/2006 Cleveland et al. D21/747
 D537,894 S * 3/2007 Cleveland et al. D21/747
 7,273,423 B2 9/2007 Imamoto
 D552,702 S 10/2007 Cameron
 D556,278 S * 11/2007 Mahaffey et al. D21/747
 7,294,064 B2 11/2007 Tsurumaki et al.
 D563,497 S * 3/2008 Mahaffey et al. D21/747
 D565,685 S 4/2008 Homma
 D574,456 S 8/2008 Chen et al.
 D589,107 S 3/2009 Oldknow
 7,500,924 B2 3/2009 Yokota
 7,530,901 B2 5/2009 Imamoto et al.
 7,563,175 B2 7/2009 Nishitani et al.
 7,572,193 B2 8/2009 Yokota
 7,582,024 B2 9/2009 Shear
 D611,555 S 3/2010 Oldknow
 D612,004 S 3/2010 Oldknow
 D612,440 S 3/2010 Oldknow
 D613,358 S * 4/2010 Kim et al. D21/748
 D622,336 S * 8/2010 Kohno D21/747
 D628,257 S 11/2010 Albertsen et al.
 7,857,711 B2 12/2010 Shear
 D630,278 S 1/2011 Albertsen et al.
 D630,696 S 1/2011 Albertsen et al.
 D631,119 S 1/2011 Albertsen et al.
 D655,363 S 3/2012 Vrska
 8,277,337 B2 10/2012 Shimazaki
 D675,272 S 1/2013 Greensmith et al.
 D686,679 S 7/2013 Greensmith et al.
 D691,685 S * 10/2013 Cyrulik et al. D21/759

D692,077 S 10/2013 Greensmith et al.
 D696,366 S 12/2013 Milo et al.
 D696,367 S * 12/2013 Taylor et al. D21/747
 D697,152 S 1/2014 Harbert et al.
 D707,766 S * 6/2014 Wolfe et al. D21/747
 D708,278 S * 7/2014 Saliba et al. D21/759
 D708,279 S * 7/2014 Saliba et al. D21/759
 2002/0055396 A1 5/2002 Nishimoto et al.
 2002/0123394 A1 9/2002 Tsurumaki
 2004/0176183 A1 9/2004 Tsurumaki
 2004/0192463 A1 9/2004 Tsurumaki et al.
 2007/0026961 A1 * 2/2007 Hou 473/329
 2007/0049417 A1 3/2007 Shear
 2010/0113176 A1 5/2010 Boyd et al.
 2011/0151989 A1 6/2011 Golden et al.
 2011/0151997 A1 6/2011 Shear
 2011/0218053 A1 9/2011 Tang et al.
 2011/0294599 A1 12/2011 Albertsen et al.
 2012/0270676 A1 10/2012 Burnett et al.
 2013/0331201 A1 12/2013 Wahl et al.
 2014/0256461 A1 9/2014 Beach et al.
 2014/0274457 A1 9/2014 Beach et al.

FOREIGN PATENT DOCUMENTS

JP 4180778 6/1992
 JP 2000014841 1/2000
 JP 2001054595 2/2001
 JP 2001170225 6/2001
 JP 2001204856 7/2001
 JP 2001346918 12/2001
 JP 2002003969 1/2002
 JP 2002017910 1/2002
 JP 2002052099 2/2002
 JP 2002248183 9/2002
 JP 2002253706 9/2002
 JP 2003038691 2/2003
 JP 2003126311 5/2003
 JP 2003226952 8/2003
 JP 2004174224 6/2004
 JP 2004183058 7/2004
 JP 2004-351173 12/2004
 JP 2005028170 2/2005
 JP 04128970 7/2008
 JP 2009000281 1/2009

OTHER PUBLICATIONS

Non-Final Office action, U.S. Appl. No. 29/416,410, 9pp. (Nov. 23, 2012).
 Non-Final Office action, U.S. Appl. No. 29/416,411, 9pp. (Nov. 21, 2012).

* cited by examiner

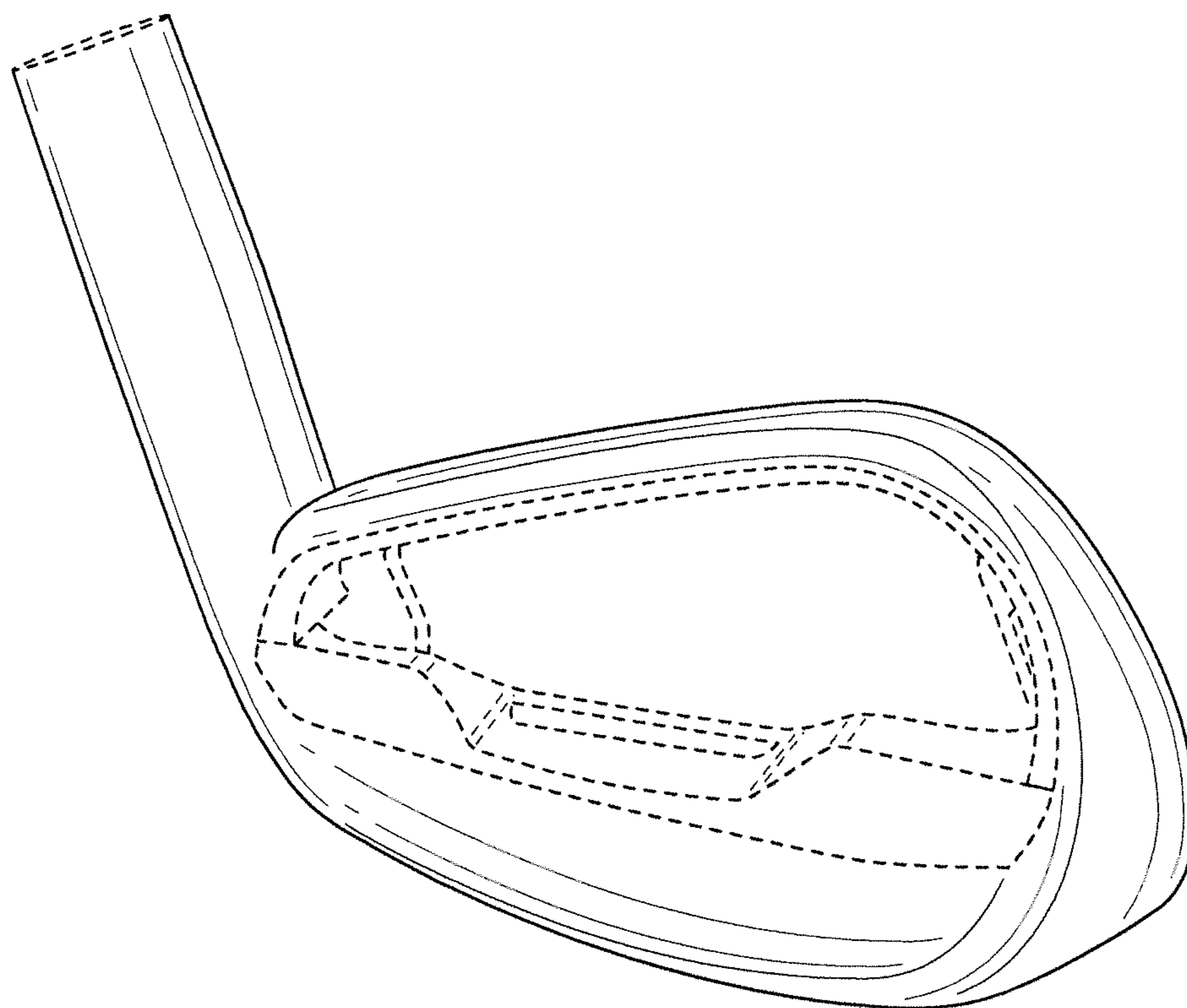


FIG. 1

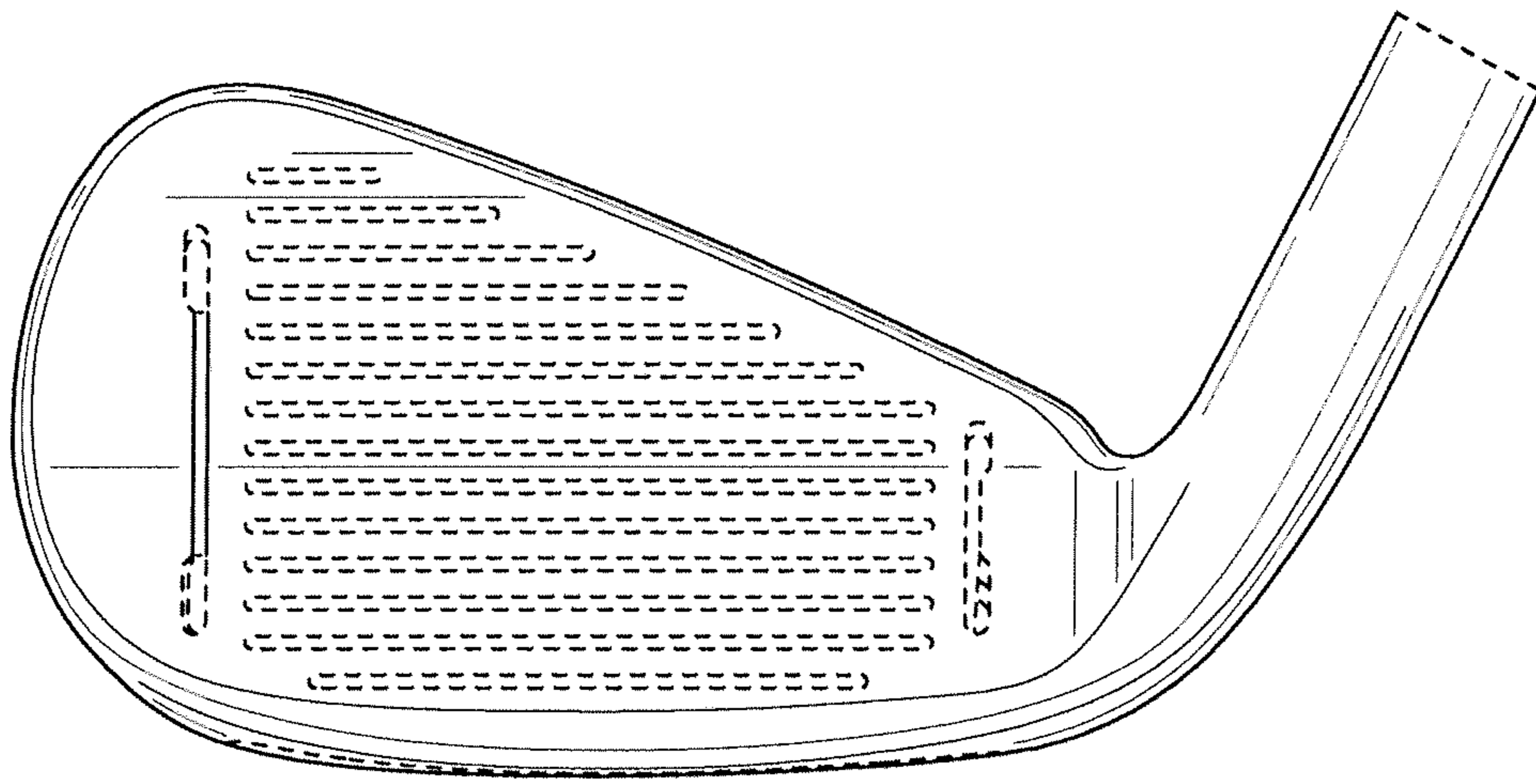


FIG. 2

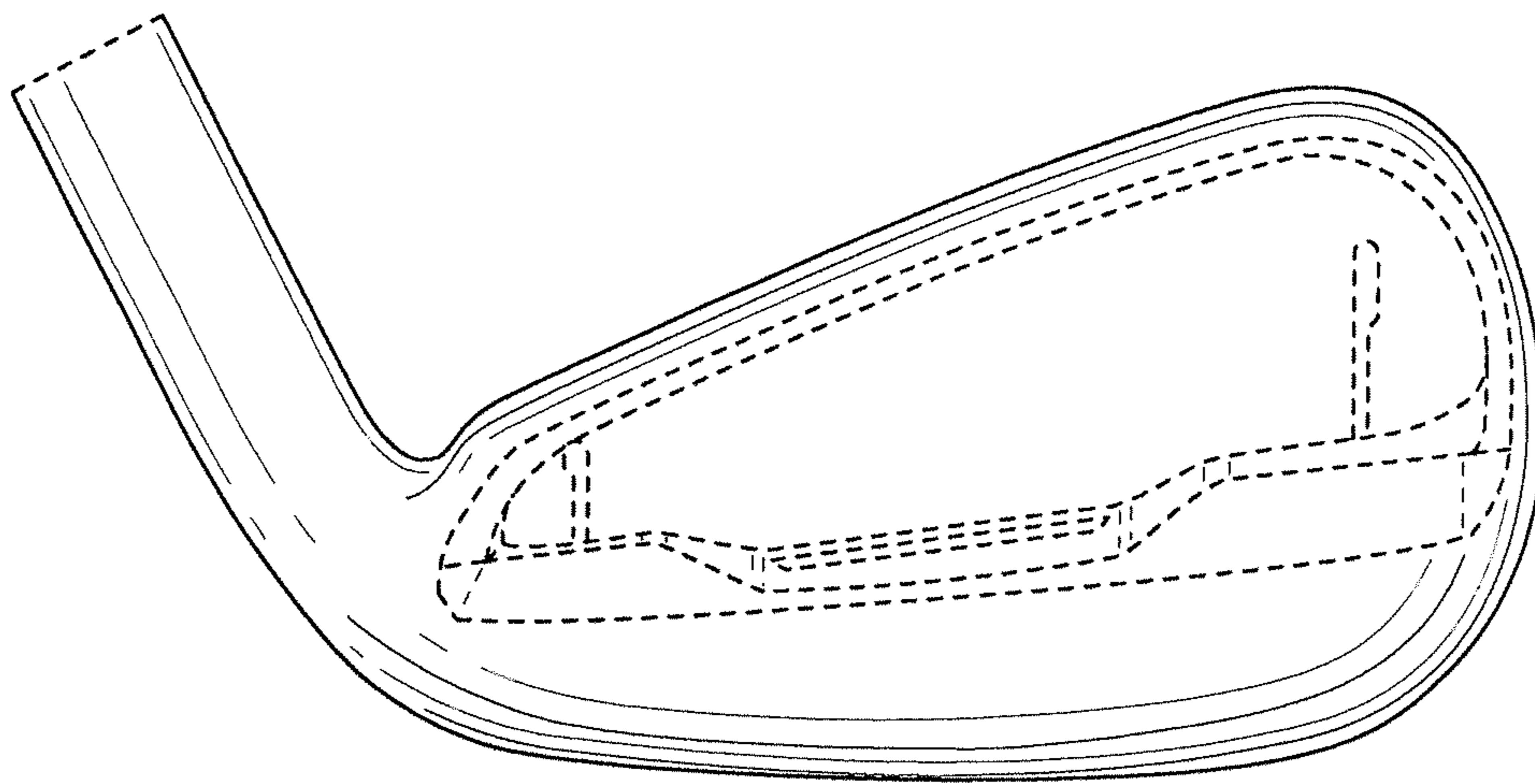


FIG. 3

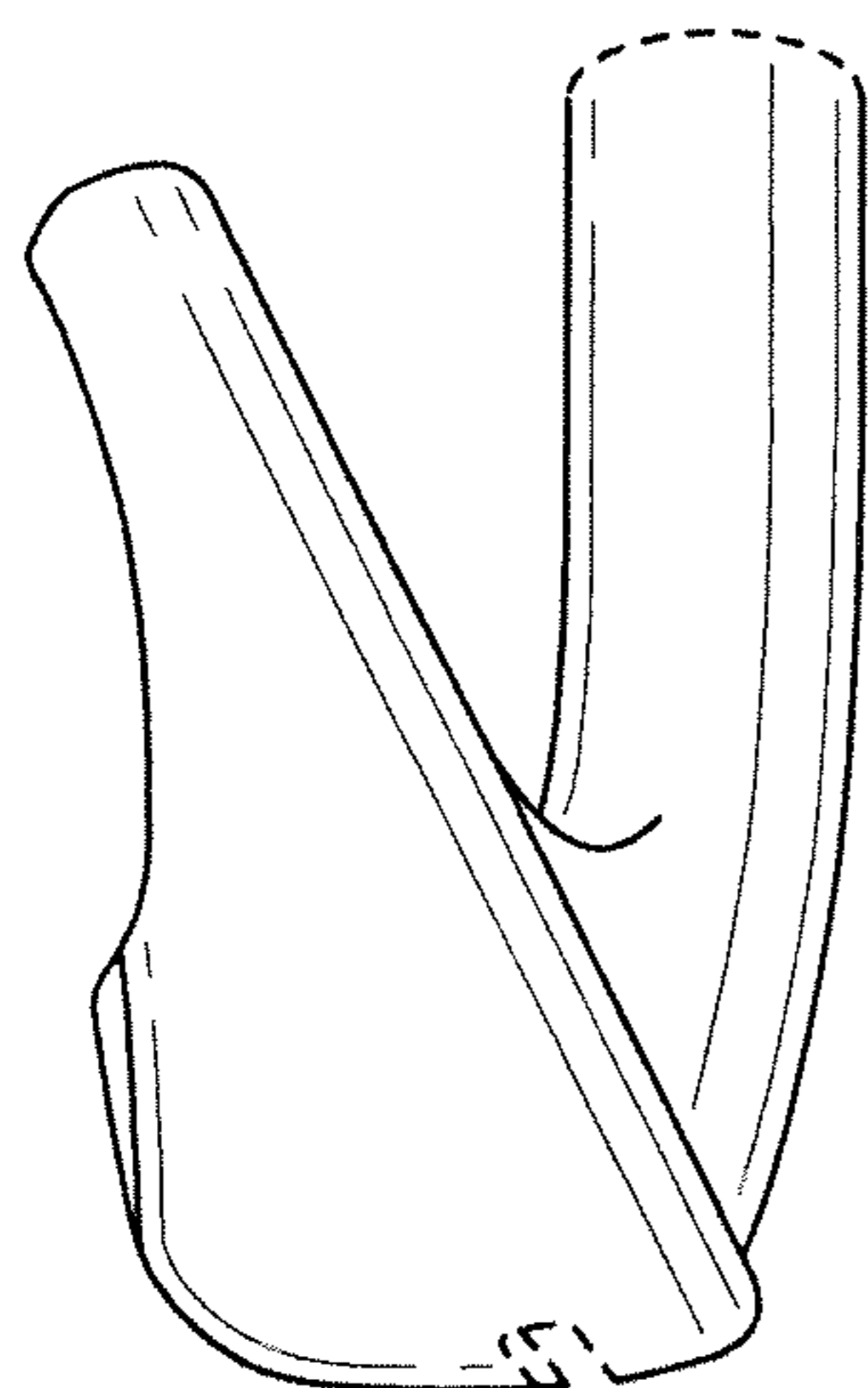


FIG. 4

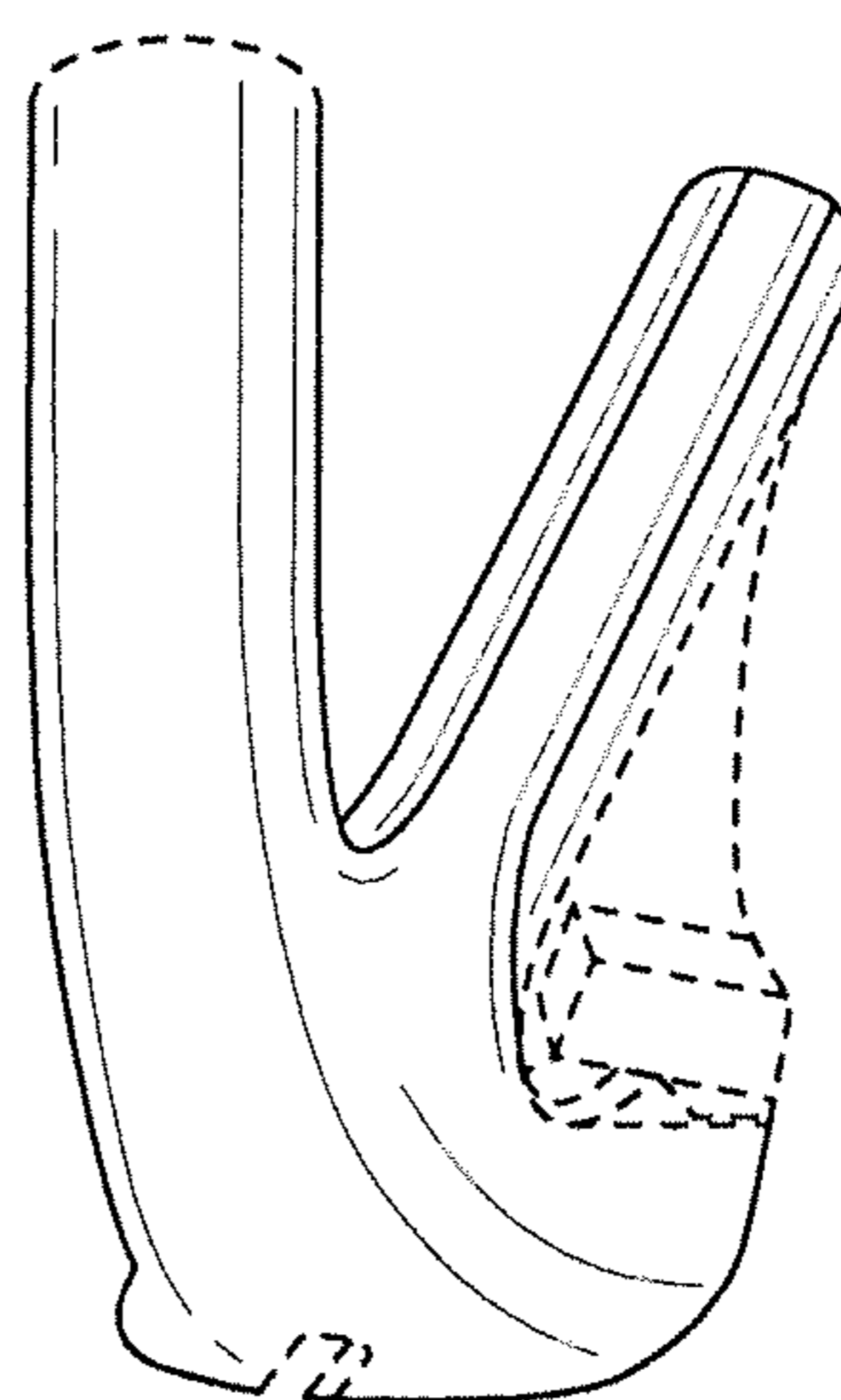


FIG. 5

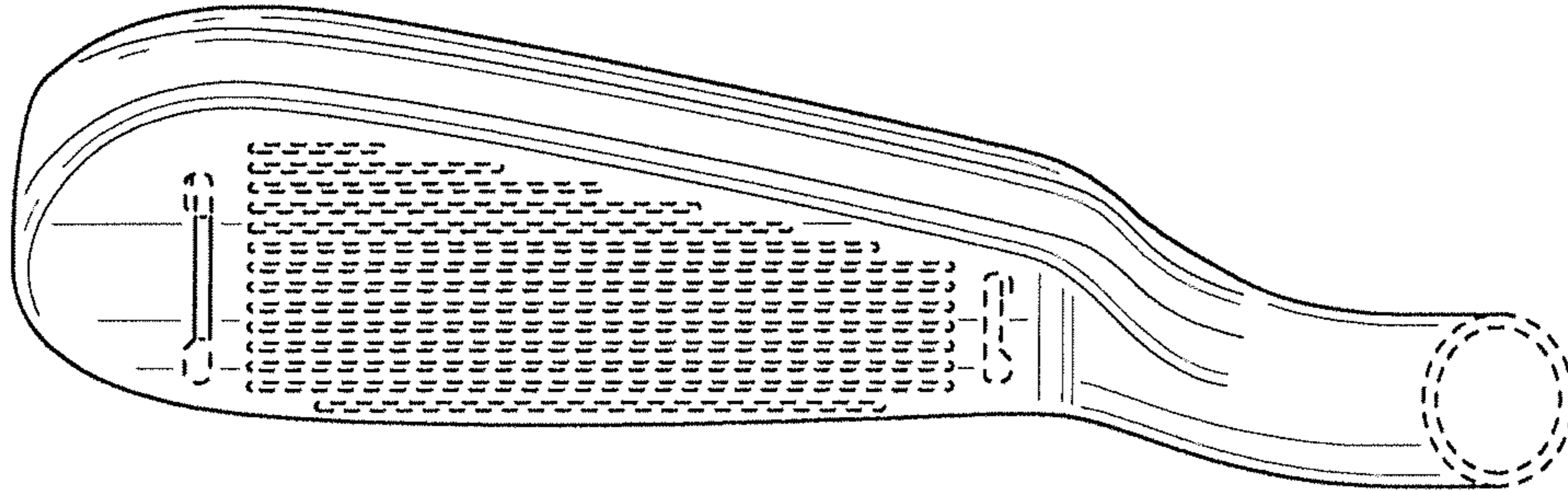


FIG. 6

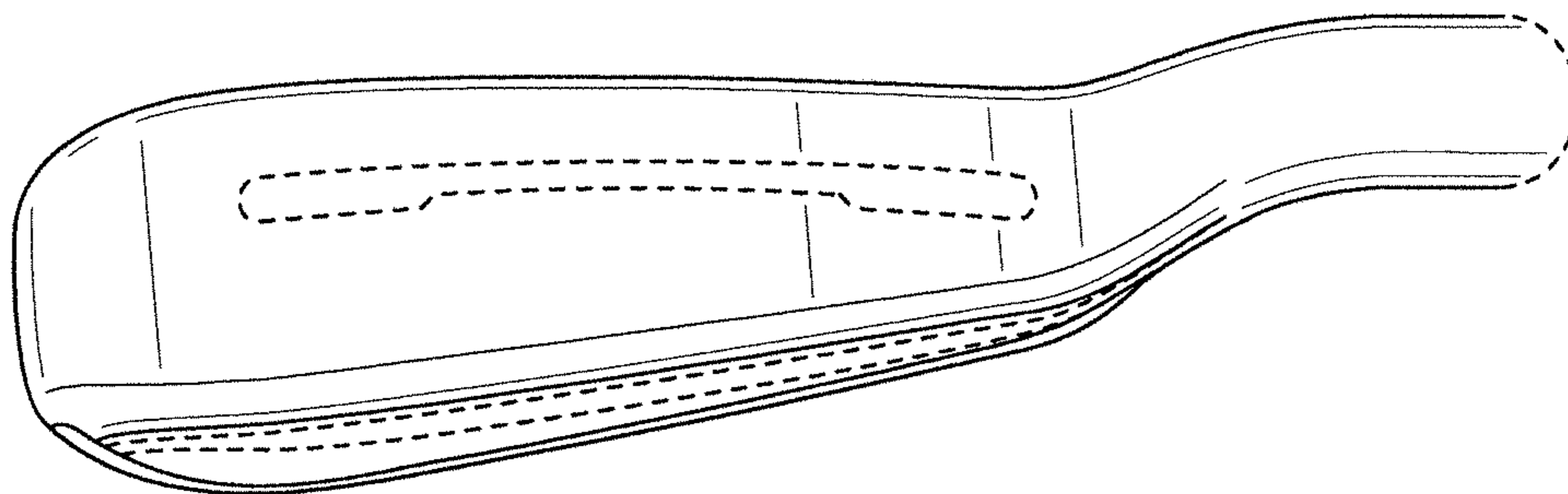


FIG. 7

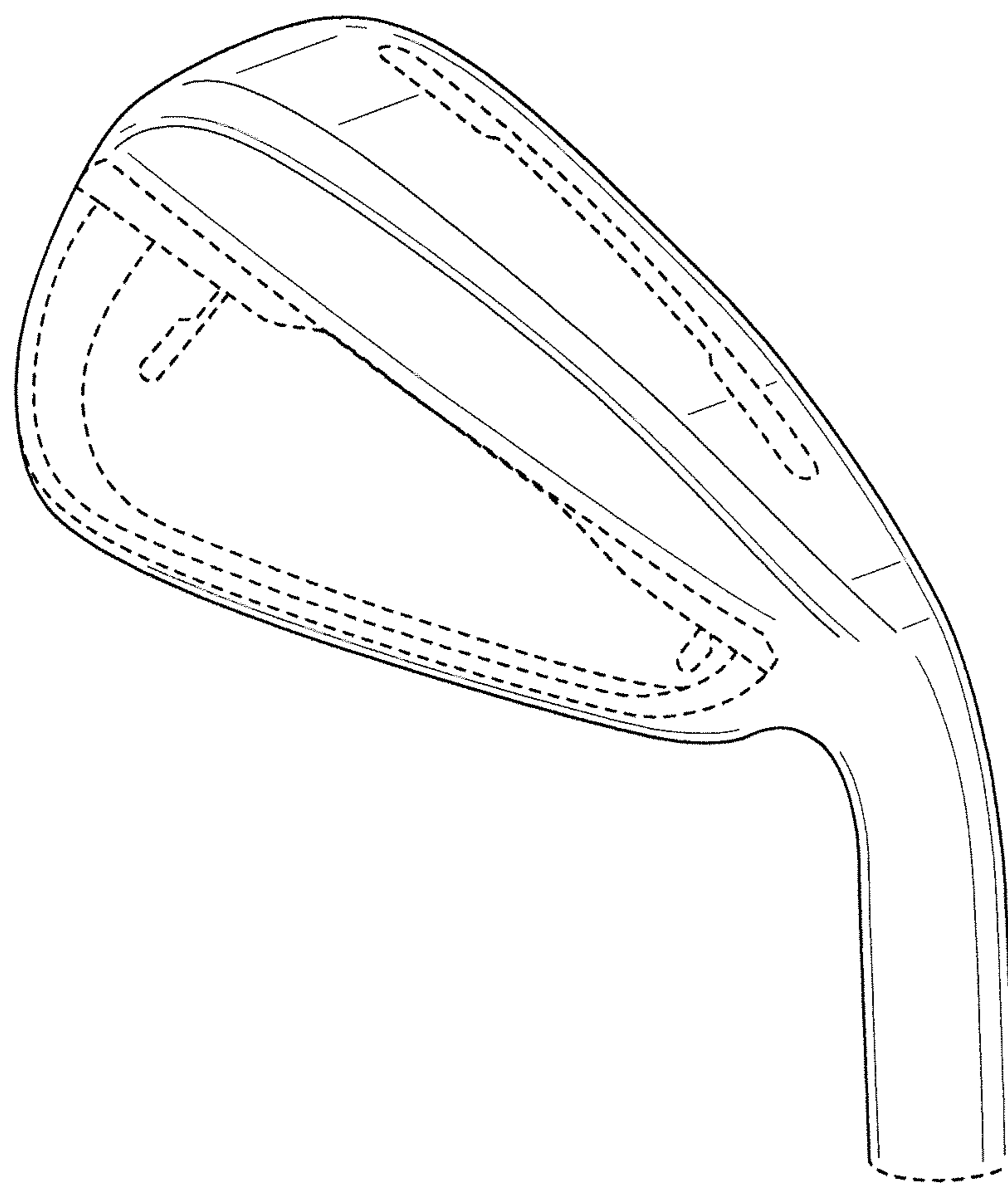


FIG. 8