



US00D737910S

(12) **United States Design Patent**  
**Mathiesen**

(10) **Patent No.:** **US D737,910 S**  
(45) **Date of Patent:** **\*\* Sep. 1, 2015**

(54) **TORSION SPRING FOR OUTDOOR FITNESS EQUIPMENT**

(71) Applicant: **John P Mathiesen**, Shoreview, MN (US)

(72) Inventor: **John P Mathiesen**, Shoreview, MN (US)

(\*\*) Term: **14 Years**

(21) Appl. No.: **29/493,872**

(22) Filed: **Jun. 13, 2014**

(51) **LOC (10) Cl.** ..... **21-02**

(52) **U.S. Cl.**  
USPC ..... **D21/694**

(58) **Field of Classification Search**

USPC ..... D8/358, 359, 44, 331, 395, 354, 380,  
D8/333; D3/24; D14/484; D22/137;  
D6/515; D12/115; 280/494, 406.2,  
280/455.1; D34/33; 180/273; 701/45;  
294/16; 24/509

CPC ..... B60D 1/345; B60D 1/247; B60D 1/065;  
B60D 1/30; B60D 1/32; B60D 1/34; B60D  
1/075; B60D 1/07; B60D 1/067; B60D 1/06;  
B60D 1/00; B60D 1/143; B60D 1/46; B60D  
2001/548; B60D 1/50; B60D 1/52; B60D  
1/02; B60D 1/155; B60D 1/28; B60D 1/66;  
B60D 1/145; B60D 1/62; B60D 1/01; B60D  
1/173; B60D 1/363; B60D 1/44; B60D 1/486;  
B60D 1/488; B60D 1/54; B60D 1/58; B60D  
1/665; B60D 2001/546; B60D 1/48; B60D  
1/586; B60D 1/60; B60D 1/04; B60D 1/242;  
B60D 1/248; B60D 1/322; B60D 1/36;  
B60D 1/40; B60D 1/465; B60D 1/485;  
B60D 1/56; B60D 1/565; B60D 1/015;  
B60D 1/025; B60D 1/14; B60D 1/243;  
B60D 1/26; B60D 1/327; B60D 1/38; B60D  
1/42; B60D 1/64; B62D 53/0871; B62D  
53/068

See application file for complete search history.

(56) **References Cited**

**U.S. PATENT DOCUMENTS**

3,461,413 A \* 8/1969 Wood et al. .... 336/84 R

D290,340 S \* 6/1987 McCaffrey ..... D8/358  
D358,931 S \* 6/1995 Vanhuyse ..... D3/24  
D417,133 S \* 11/1999 Niswanger ..... D8/331  
D432,396 S \* 10/2000 Barthel ..... D8/358  
D503,609 S \* 4/2005 Robbins et al. .... D8/359  
D613,570 S \* 4/2010 Wall ..... D8/44  
D623,927 S \* 9/2010 Gu et al. .... D8/358  
D625,172 S \* 10/2010 Pauwels ..... D8/358  
D652,890 S \* 1/2012 Haroian ..... D22/137  
D654,981 S \* 2/2012 Hafner ..... D22/137  
D699,965 S \* 2/2014 Costello et al. .... D6/515

\* cited by examiner

*Primary Examiner* — Robert M Spear

*Assistant Examiner* — Ryan Harvey

(74) *Attorney, Agent, or Firm* — Jacobson and Johnson;  
Thomas N. Phung

(57) **CLAIM**

The ornamental design for a torsion spring for outdoor fitness equipment, as shown and described.

**DESCRIPTION**

FIG. 1 is a perspective view of a torsion spring for outdoor fitness equipment, showing my design;

FIG. 2 is a front view of the torsion spring for outdoor fitness equipment of FIG. 1;

FIG. 3 is a left side view of the torsion spring for outdoor fitness equipment of FIG. 1;

FIG. 4 is a rear view of the torsion spring for outdoor fitness equipment of FIG. 1;

FIG. 5 is right side view of the torsion spring for outdoor fitness equipment of FIG. 1;

FIG. 6 is a top view of the torsion spring for outdoor fitness equipment of FIG. 1; and,

FIG. 7 is a bottom view of the torsion spring for outdoor fitness equipment of FIG. 1.

The broken lines illustrate portions of the article that form no part of the claimed design.

**1 Claim, 2 Drawing Sheets**

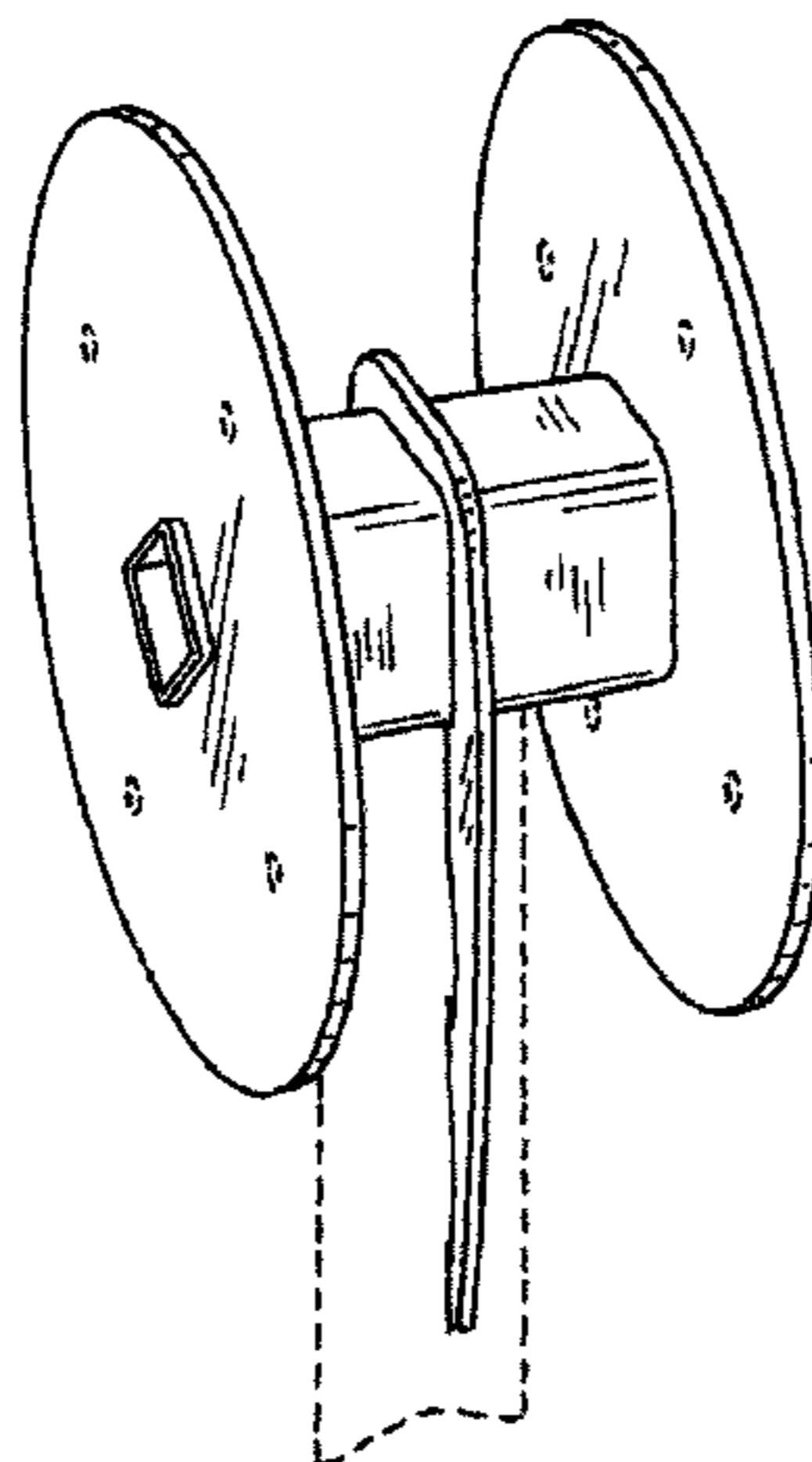


FIG. 1

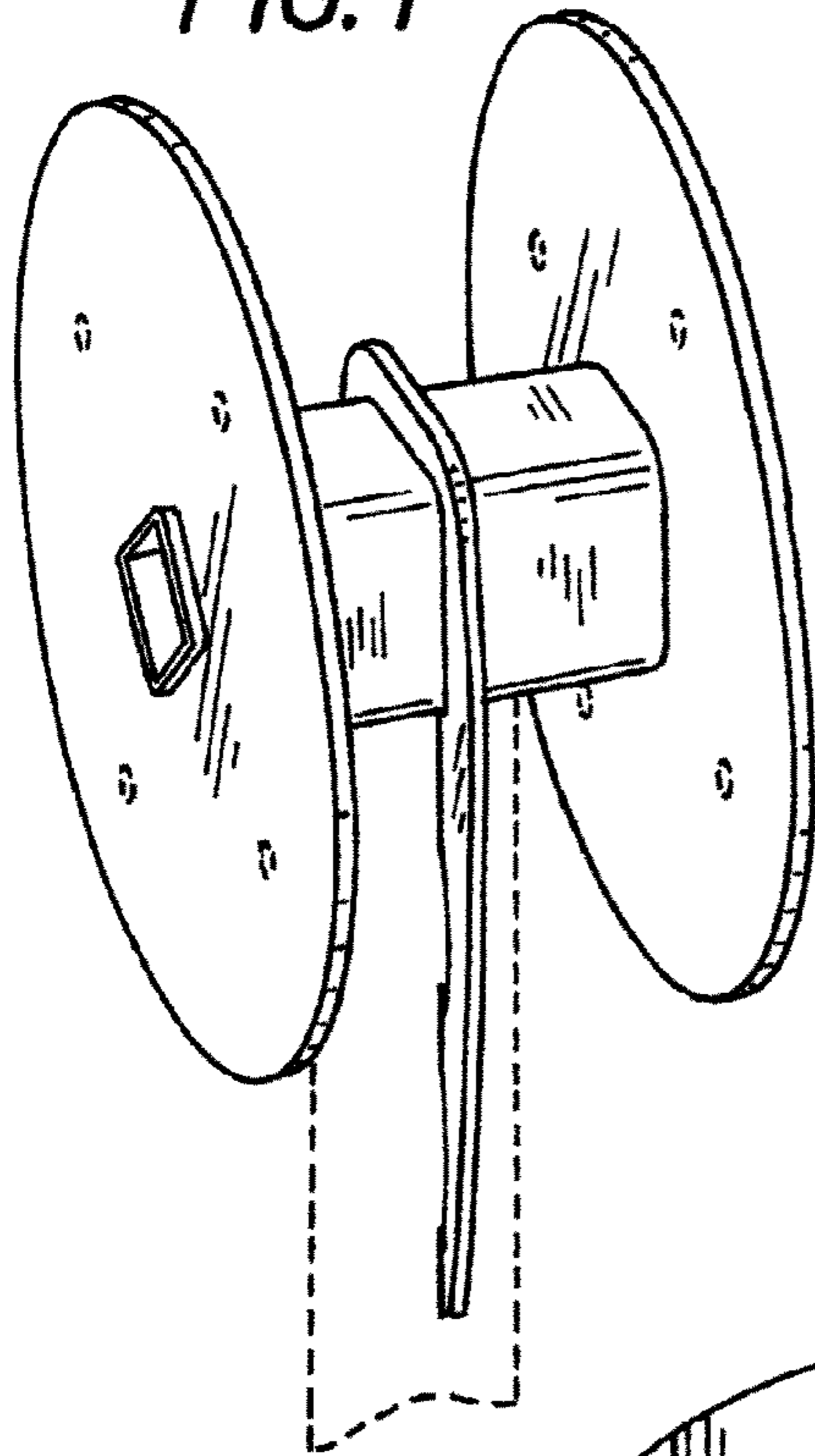


FIG. 2

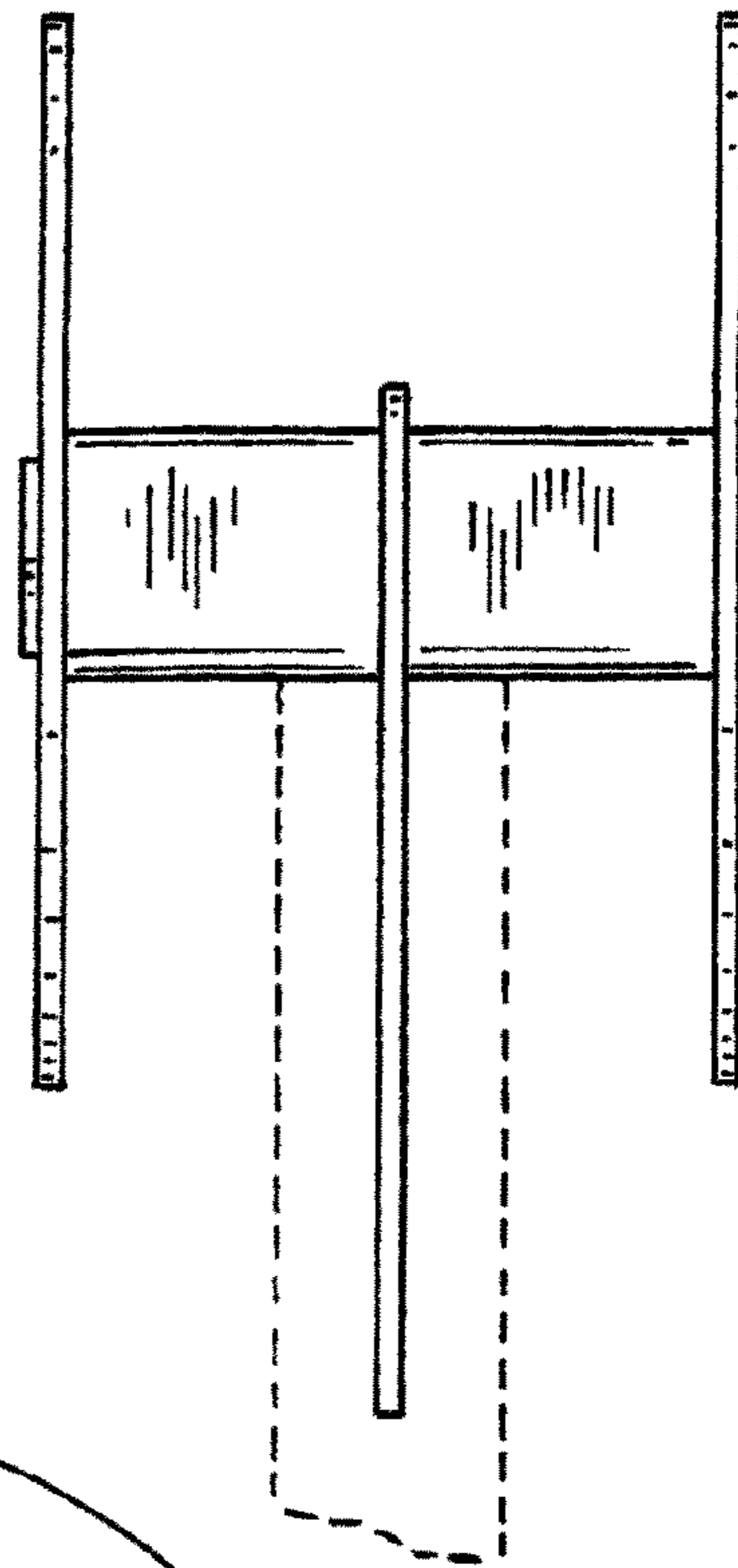


FIG. 3

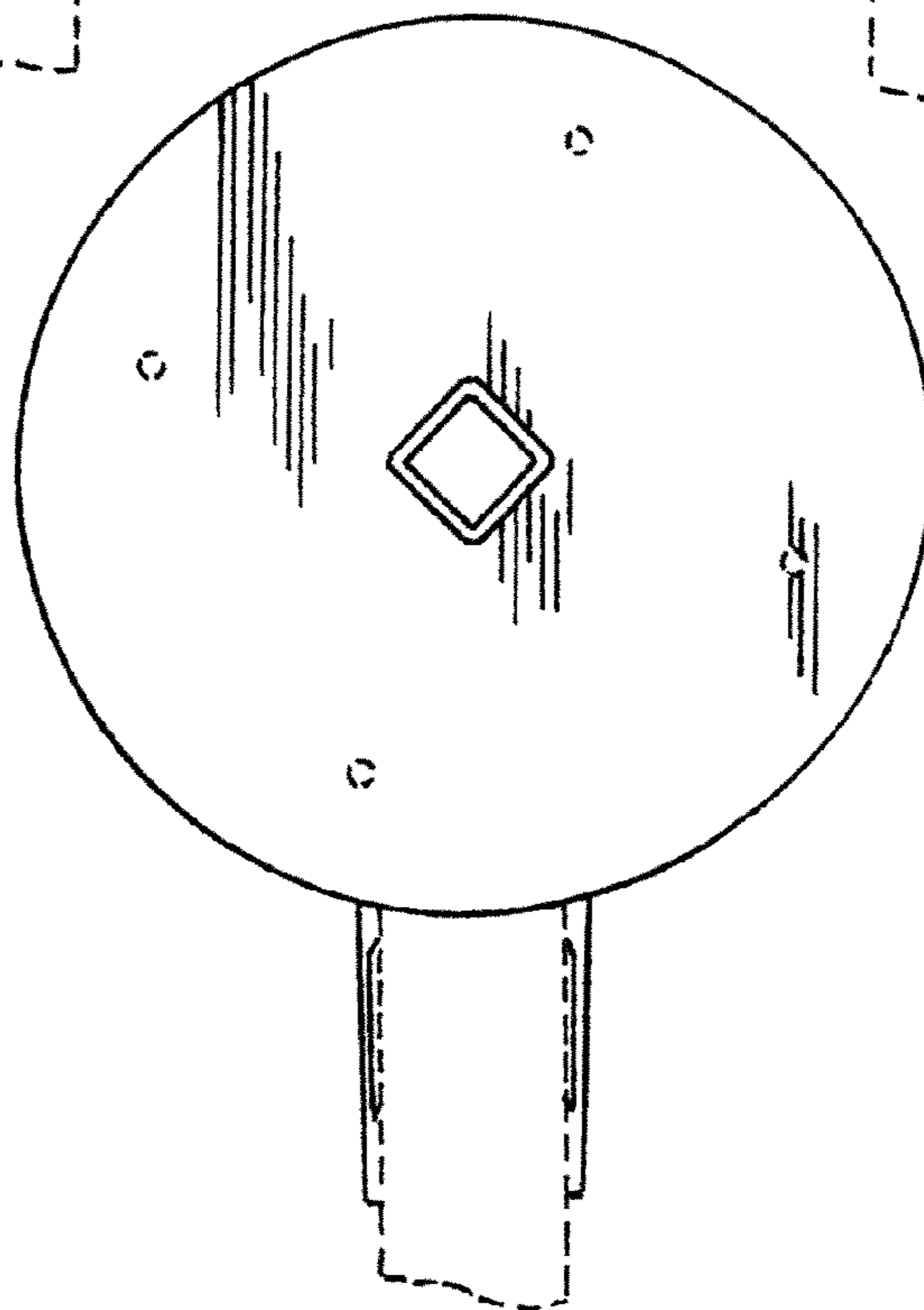


FIG. 4

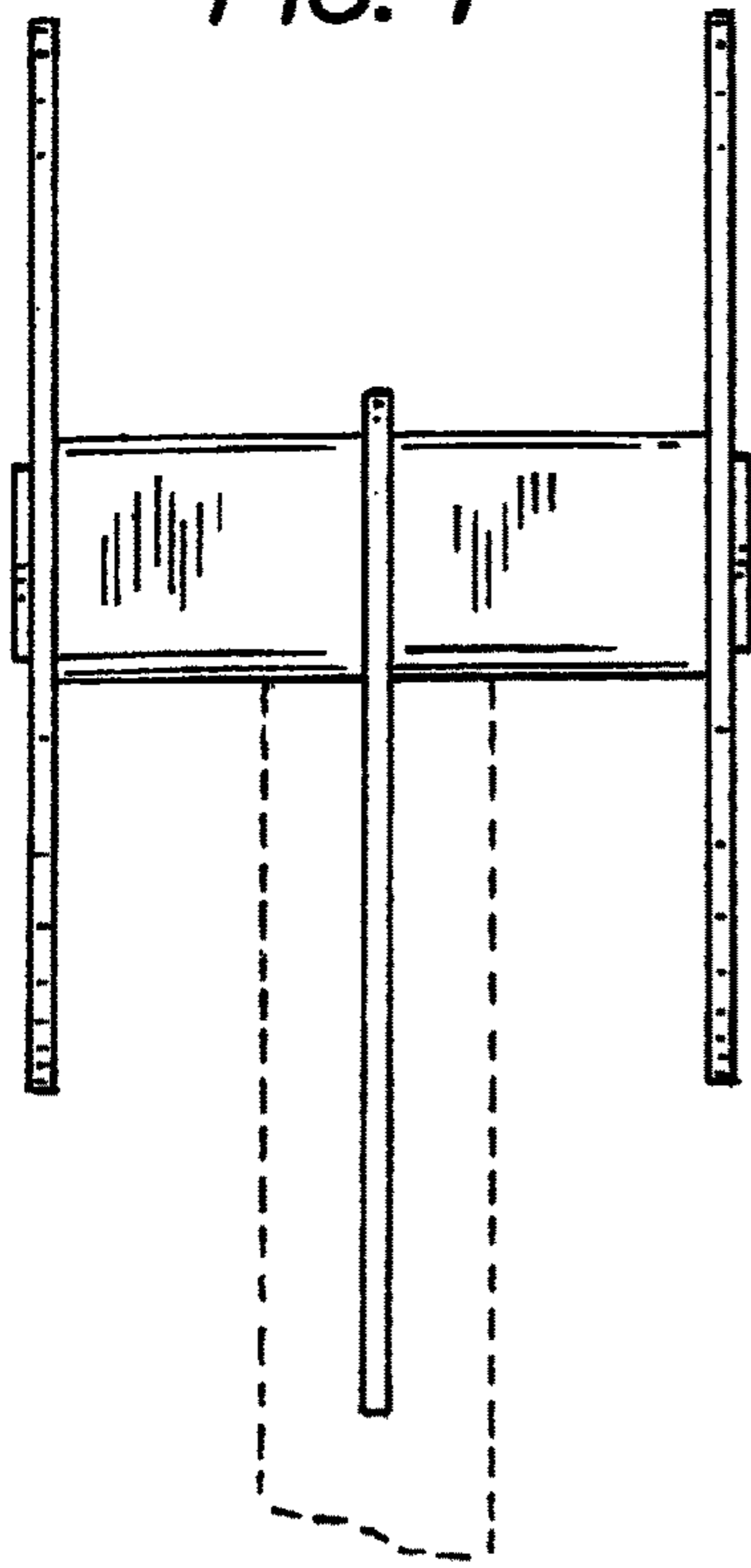


FIG. 5

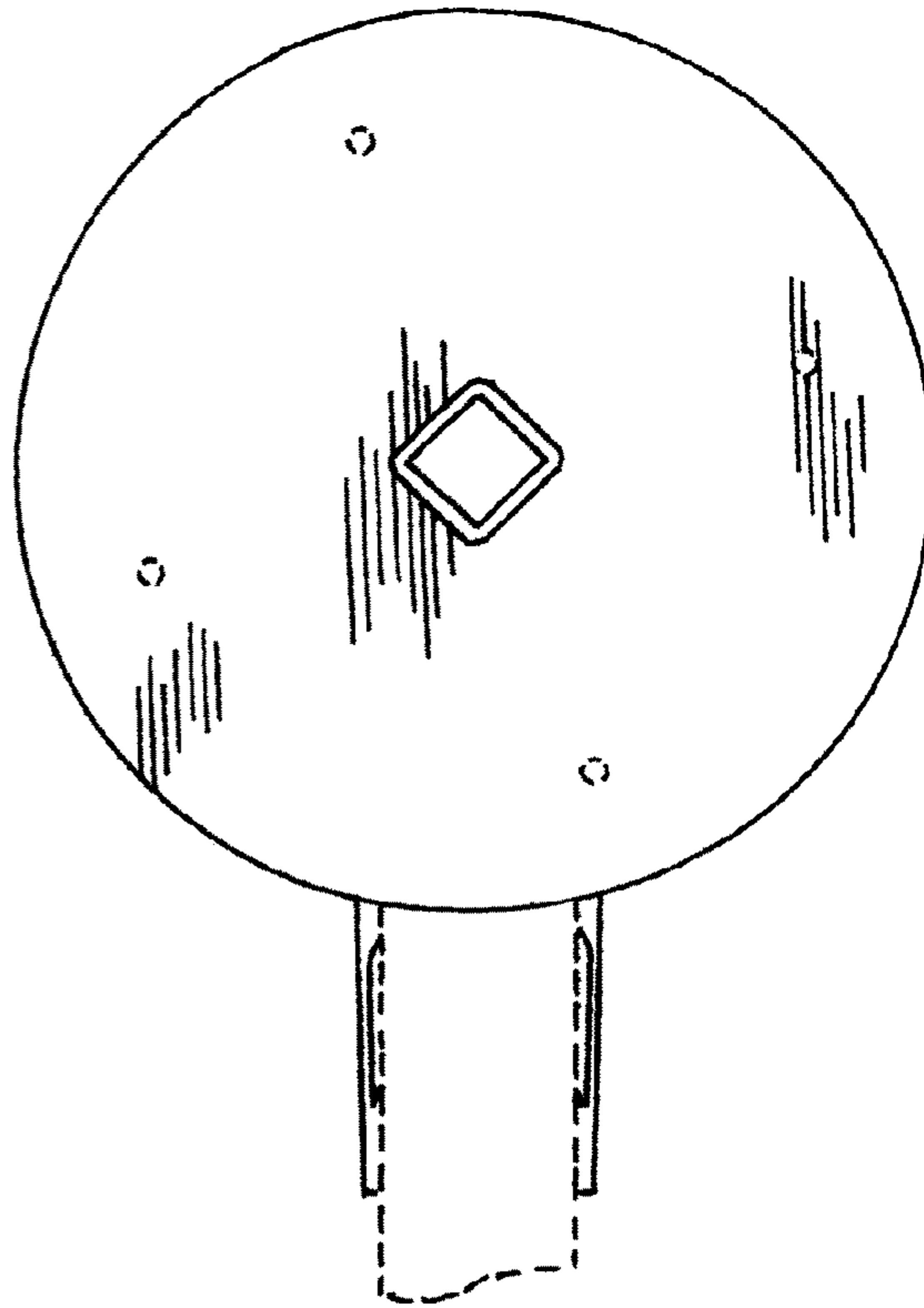


FIG. 6

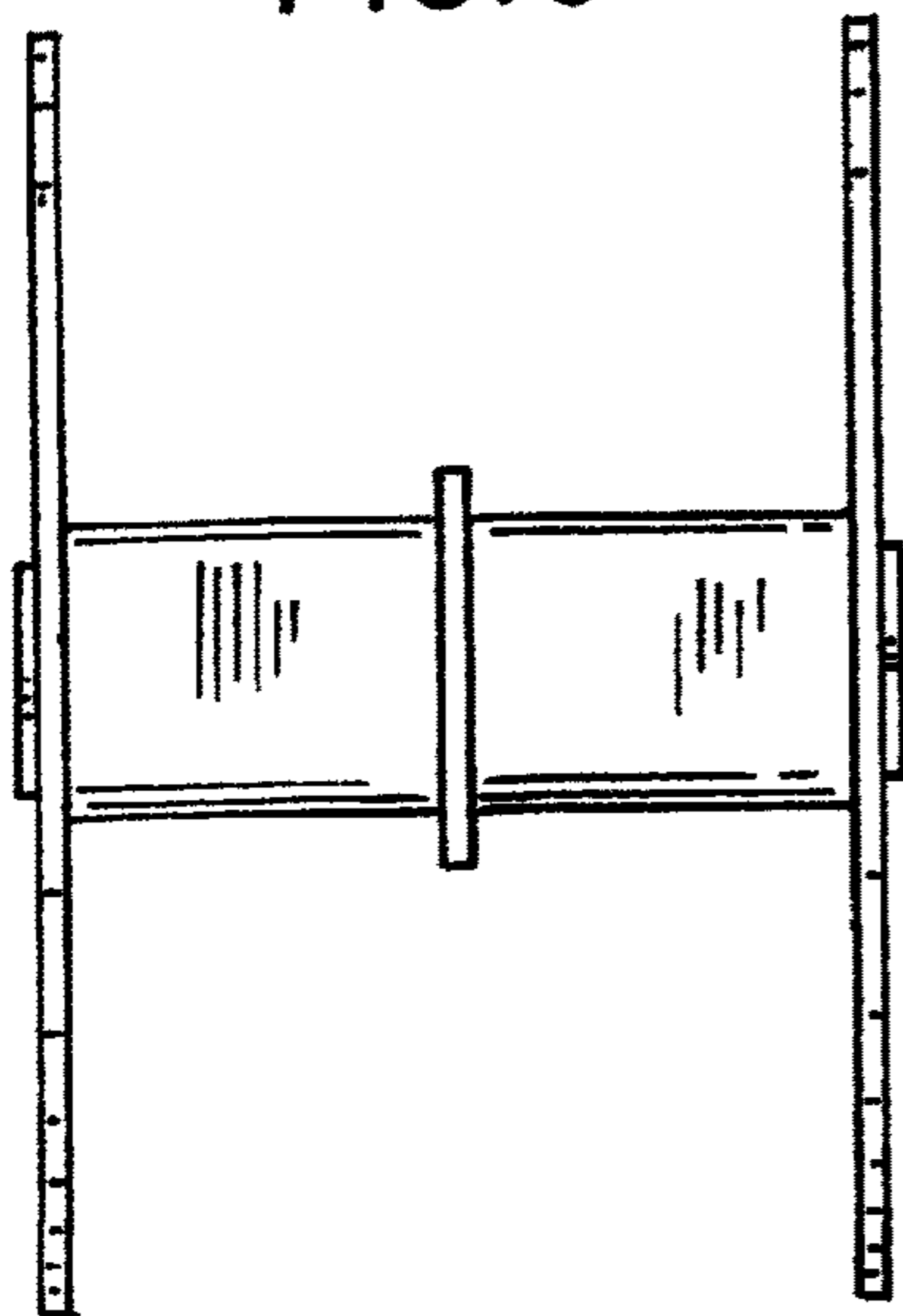


FIG. 7

