



US00D737909S

(12) **United States Design Patent**
Kubitz

(10) **Patent No.:** **US D737,909 S**

(45) **Date of Patent:** **** Sep. 1, 2015**

(54) **PLYOMETRIC BOX**

(71) Applicant: **Cody Wayne Kubitz**, Eagle River, AK
(US)

(72) Inventor: **Cody Wayne Kubitz**, Eagle River, AK
(US)

(**) Term: **14 Years**

(21) Appl. No.: **29/510,740**

(22) Filed: **Dec. 3, 2014**

(51) **LOC (10) Cl.** **21-02**

(52) **U.S. Cl.**
USPC **D21/686**

(58) **Field of Classification Search**

USPC D21/797, 694, 671, 686, 698, 699, 680,
D21/685, 692, 662, 687, 689, 318, 688, 412,
D21/333, 683, 798; D19/37, 64, 59;
D8/330, 1, 16; D9/624, 629;
D14/417.496; 15/104.93, 105, 118,
15/229.11, 208; D25/139, 155, 62, 65;
D6/349, 582, 592, 335, 350, 583, 588,
D6/585; 99/472, 467; D34/23, 1; 297/461,
297/223, 423.41; 269/289 R, 13, 15, 14;
206/501, 514, 4.27, 8; 156/250, 256,
156/272.8, 308.2, 330, 60, 213; 248/678;
D7/698, 699, 629, 388; 220/4.26;
217/3 R; D24/190, 191, 192, 167;
D17/99; D3/294, 282, 905; D30/118;
182/33; D99/17, 1; 428/122; 451/534,
451/539; 482/142, 52, 51, 30, 74, 91, 140,
482/25, 94; 446/117, 69; 473/278
CPC Y10T 156/10; A63B 21/1473; A63B 6/00;
A63B 21/00105; A63B 22/001; A63B
22/0664; A63B 23/0211; A63B 21/225;
A63B 2022/067; A63B 2208/0204; A63B
22/203; A47G 9/062; A47G 27/0237; B32B
2471/04

See application file for complete search history.

(56) **References Cited**

U.S. PATENT DOCUMENTS

D131,473	S	*	3/1942	Thelander	D6/336
4,950,033	A	*	8/1990	Anderson	297/461
D325,087	S	*	3/1992	Brinker	D24/190
D330,057	S	*	10/1992	Saunders et al.	D21/671
D330,235	S	*	10/1992	Traetta et al.	D21/671
5,154,678	A	*	10/1992	Adamczyk et al.	482/52
5,158,512	A	*	10/1992	Irwin et al.	482/52
D337,362	S	*	7/1993	Goldstein et al.	D21/671
D339,179	S	*	9/1993	Wilkinson	D21/671
D342,298	S	*	12/1993	Schnabel et al.	D21/671
D346,621	S	*	5/1994	Dial	D19/64
D349,540	S	*	8/1994	Hand et al.	D21/671
D353,636	S	*	12/1994	Le Roux	D21/671
D360,767	S	*	8/1995	Fish et al.	D6/349
6,117,051	A	*	9/2000	Suarez et al.	482/51
D449,357	S	*	10/2001	Monter Villar et al.	D21/686
D449,662	S	*	10/2001	Monter Villar et al.	D21/686
D551,769	S	*	9/2007	Skwarek et al.	D24/186
D557,757	S	*	12/2007	Van Straaten	D21/686
D557,910	S	*	12/2007	Saunders et al.	D6/350
D560,260	S	*	1/2008	Flentye et al.	D21/694
D565,365	S	*	4/2008	Bizzell et al.	D7/698

(Continued)

Primary Examiner — Robert M Spear

Assistant Examiner — Ryan Harvey

(57) **CLAIM**

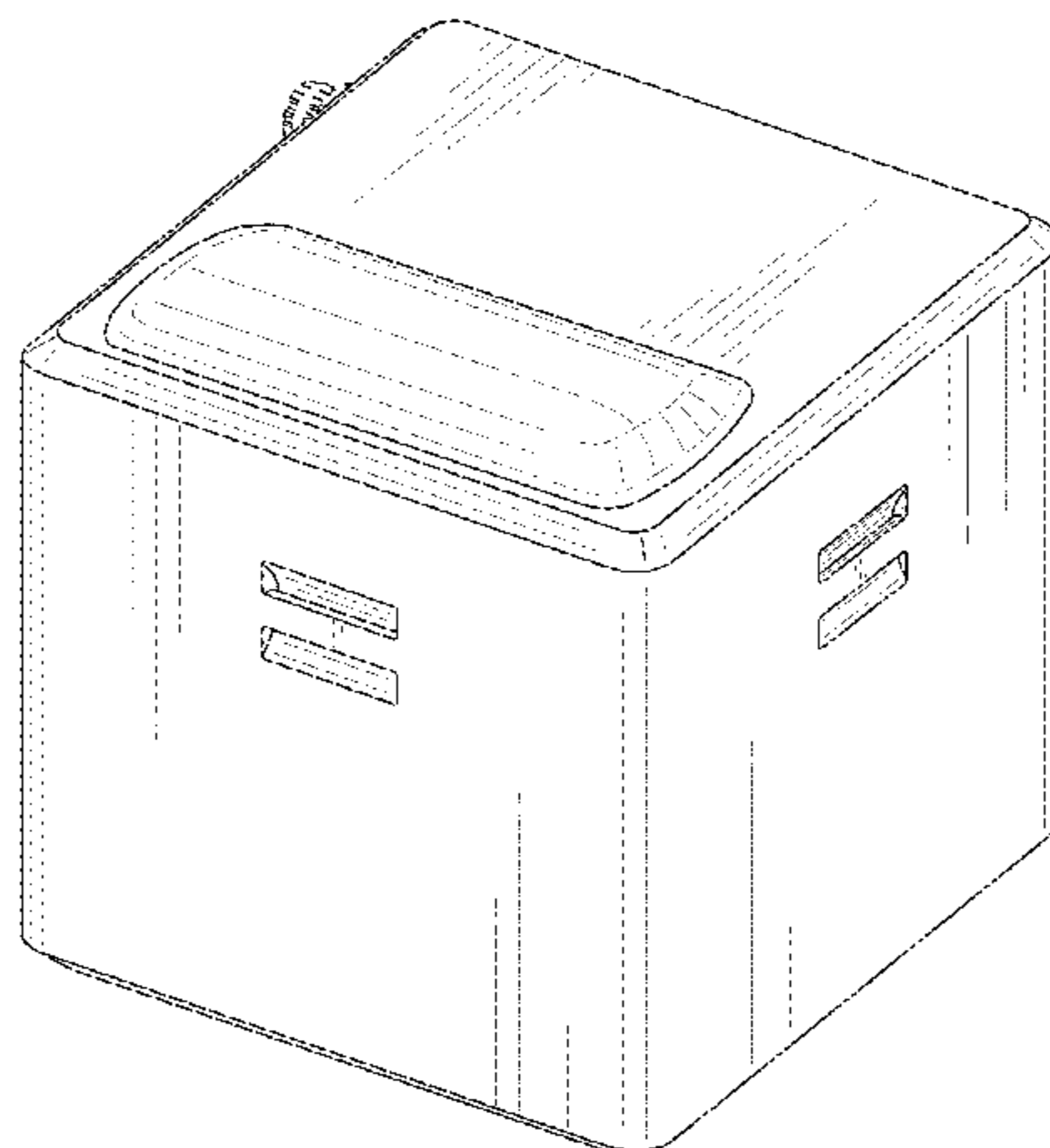
The ornamental design for an plyometric box, as shown and described.

DESCRIPTION

FIG. 1 is a back perspective view of an plyometric box showing my new design;
FIG. 2 is a left side view thereof;
FIG. 3 is a right side view thereof;
FIG. 4 is a back view thereof;
FIG. 5 is a front view thereof;
FIG. 6 is a top view thereof;
FIG. 7 is a bottom view thereof; and,
FIG. 8 is a right side cross sectional view thereof, taken along line 8-8 in FIG. 6.

The broken lines in the Figures show portions of the exercise device which form no part of the claimed design.

1 Claim, 8 Drawing Sheets



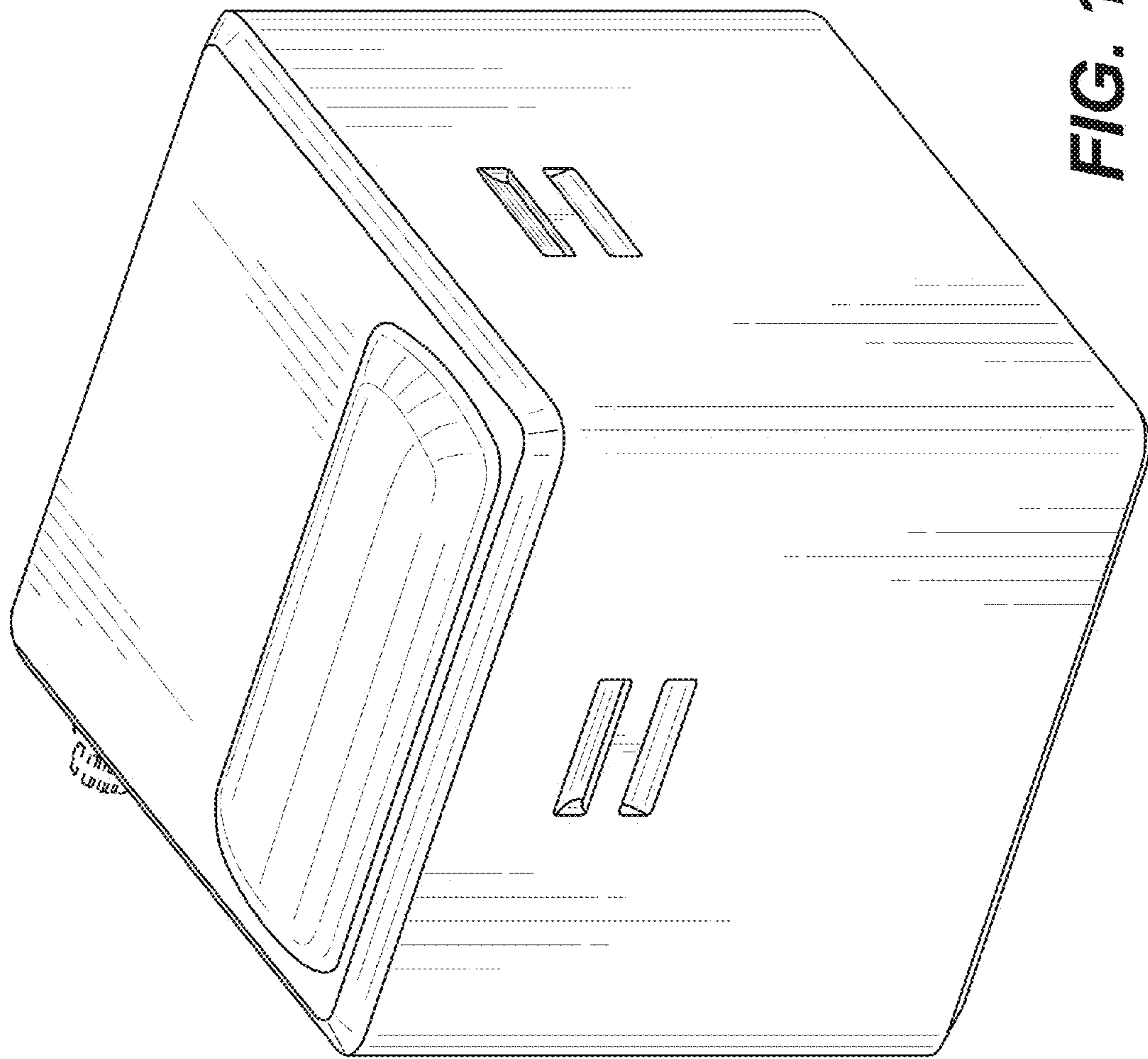
(56)

References Cited

U.S. PATENT DOCUMENTS

D613,871	S *	4/2010	Choi et al.	D24/215	D694,593	S *	12/2013	Shofet et al.	D7/698
7,922,624	B1 *	4/2011	Fairhurst et al.	482/52	D717,444	S *	11/2014	Pastrick et al.	D24/167
D650,184	S *	12/2011	Hsu	D6/349	2006/0189448	A1 *	8/2006	Flentye et al.	482/52
D662,685	S *	6/2012	Parker et al.	D99/17	2006/0189449	A1 *	8/2006	Flentye et al.	482/52
8,348,812	B2 *	1/2013	Elpers	482/52	2007/0108686	A1 *	5/2007	Casale et al.	269/289 R
D677,892	S *	3/2013	Van Ness	D3/294	2008/0179803	A1 *	7/2008	Shew et al.	269/13
D681,750	S *	5/2013	Meyer-Hayoz	D21/686	2013/0049275	A1 *	2/2013	Morgan	269/14
D690,566	S *	10/2013	Bernheim	D7/698	2013/0256963	A1 *	10/2013	Shofet et al.	269/13
					2014/0087930	A1 *	3/2014	Burns et al.	482/142
					2014/0311361	A1 *	10/2014	Wangler	99/472

* cited by examiner



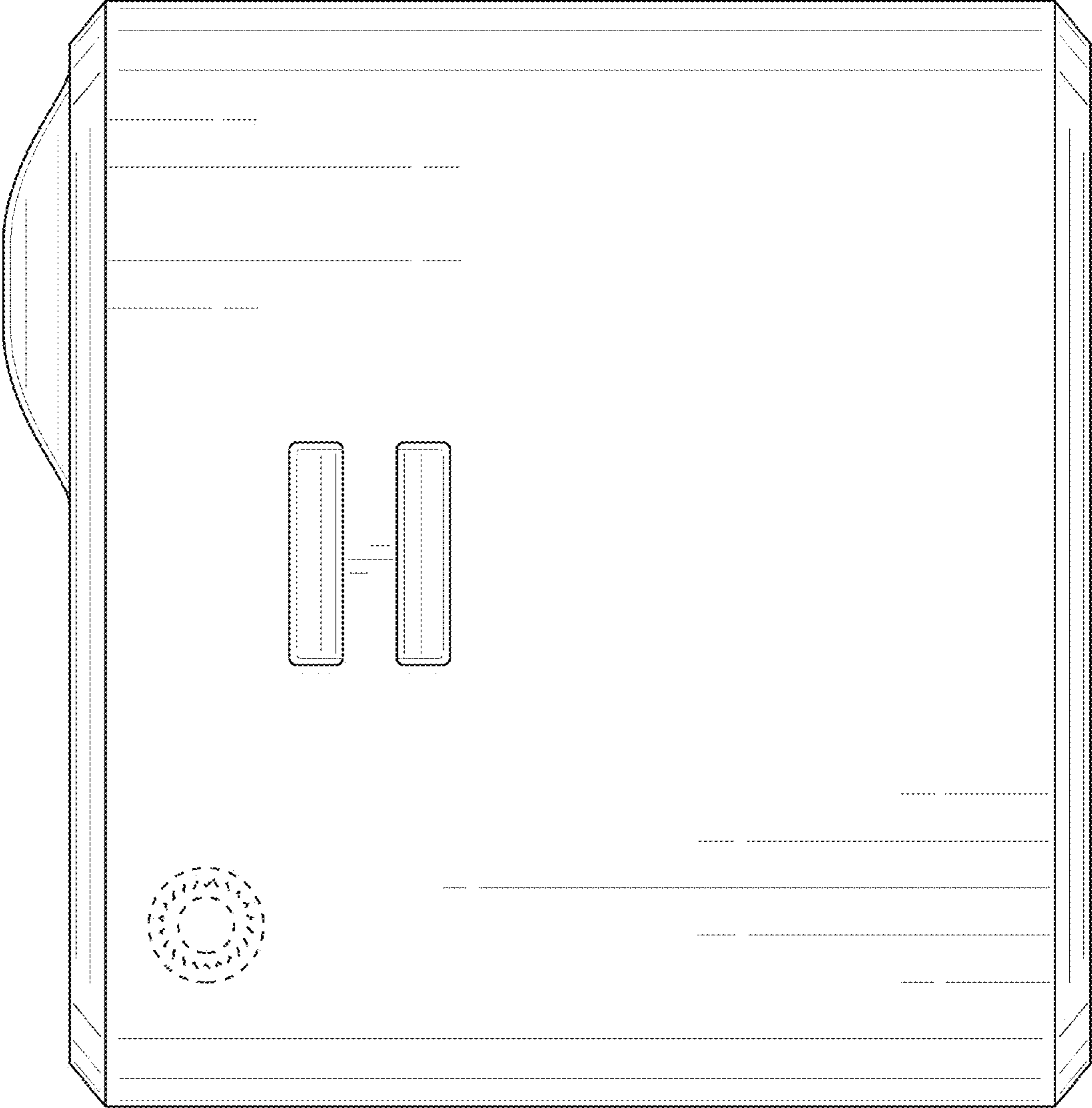


FIG. 2

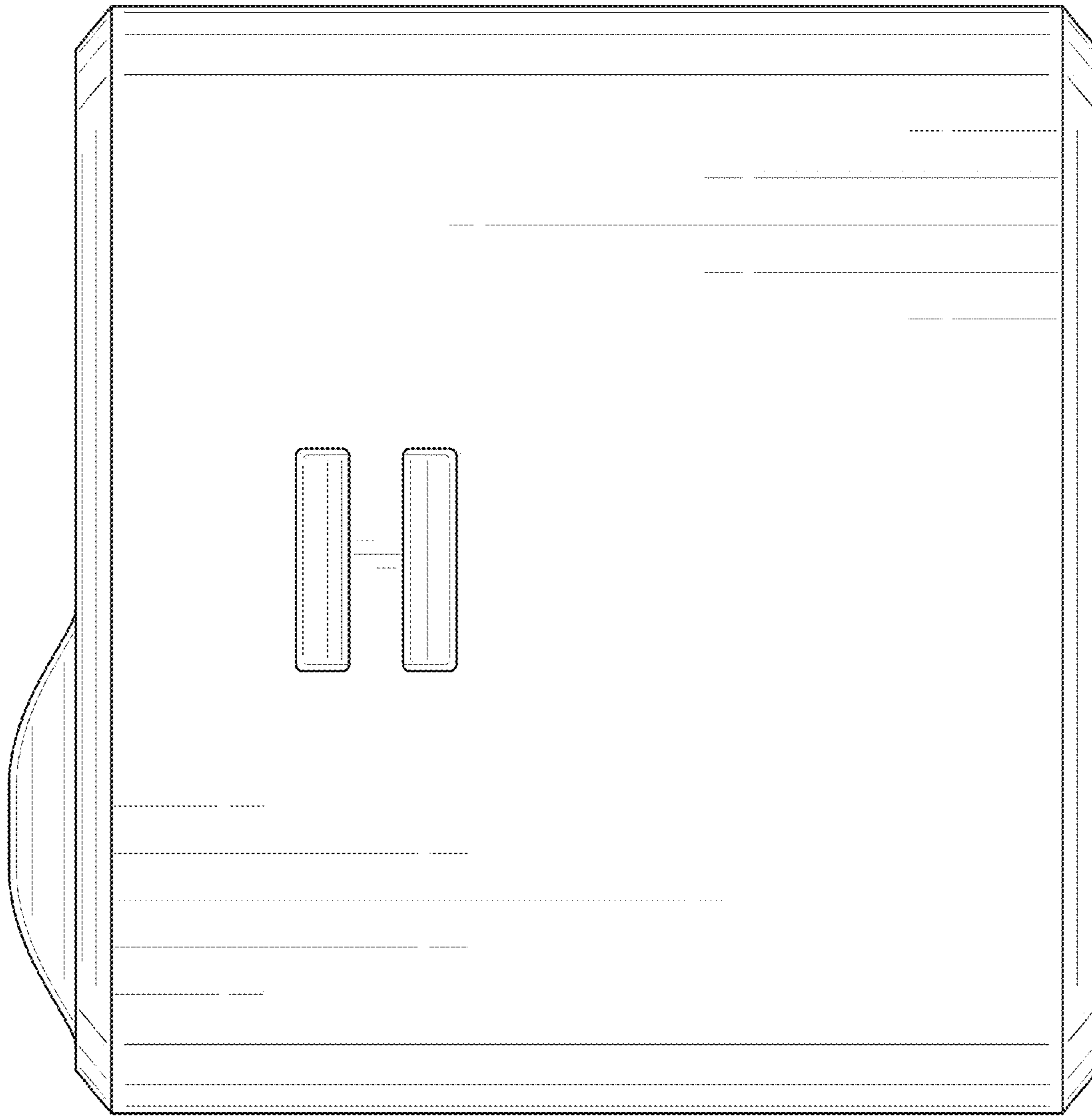


FIG. 3

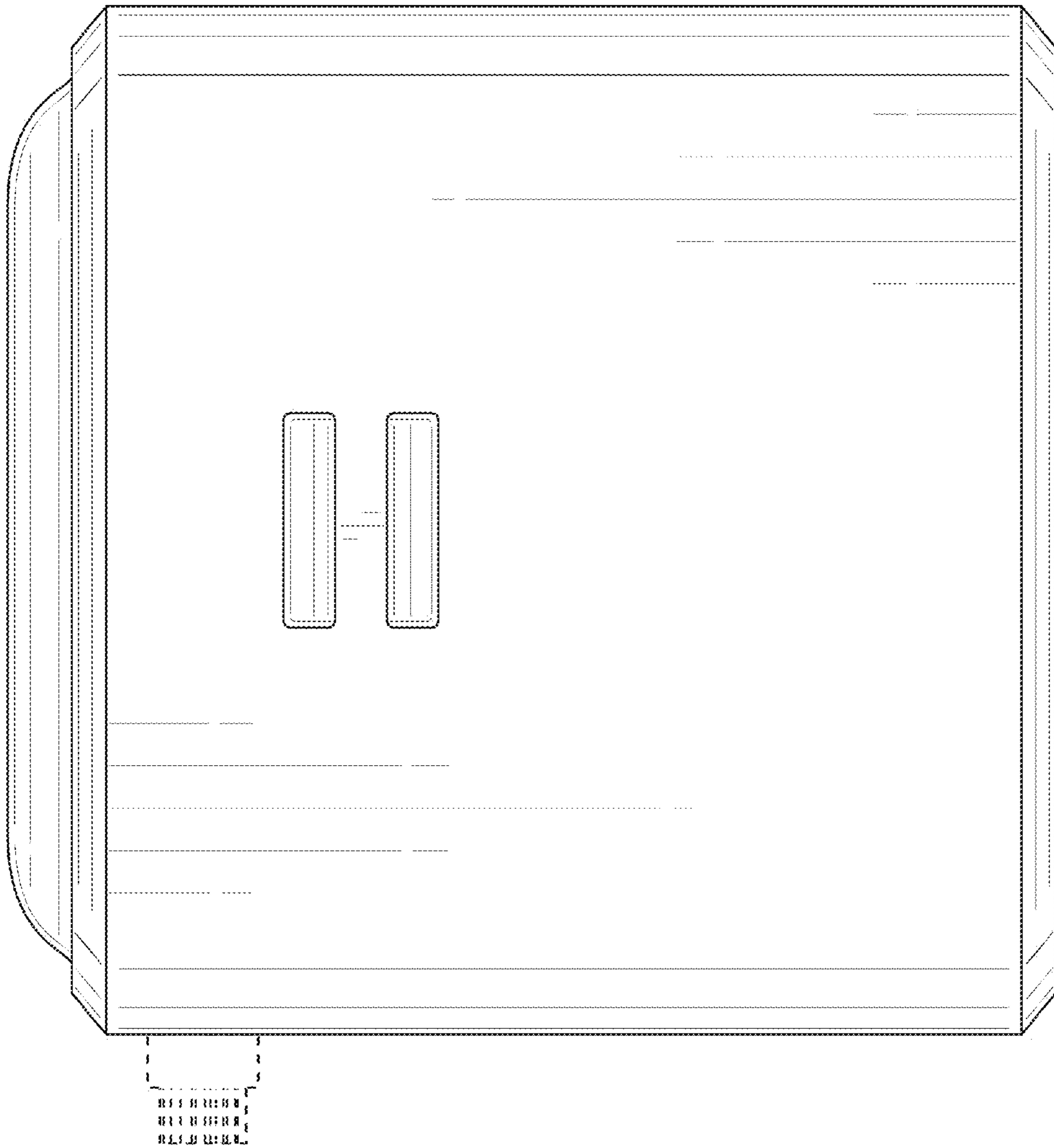


FIG. 4

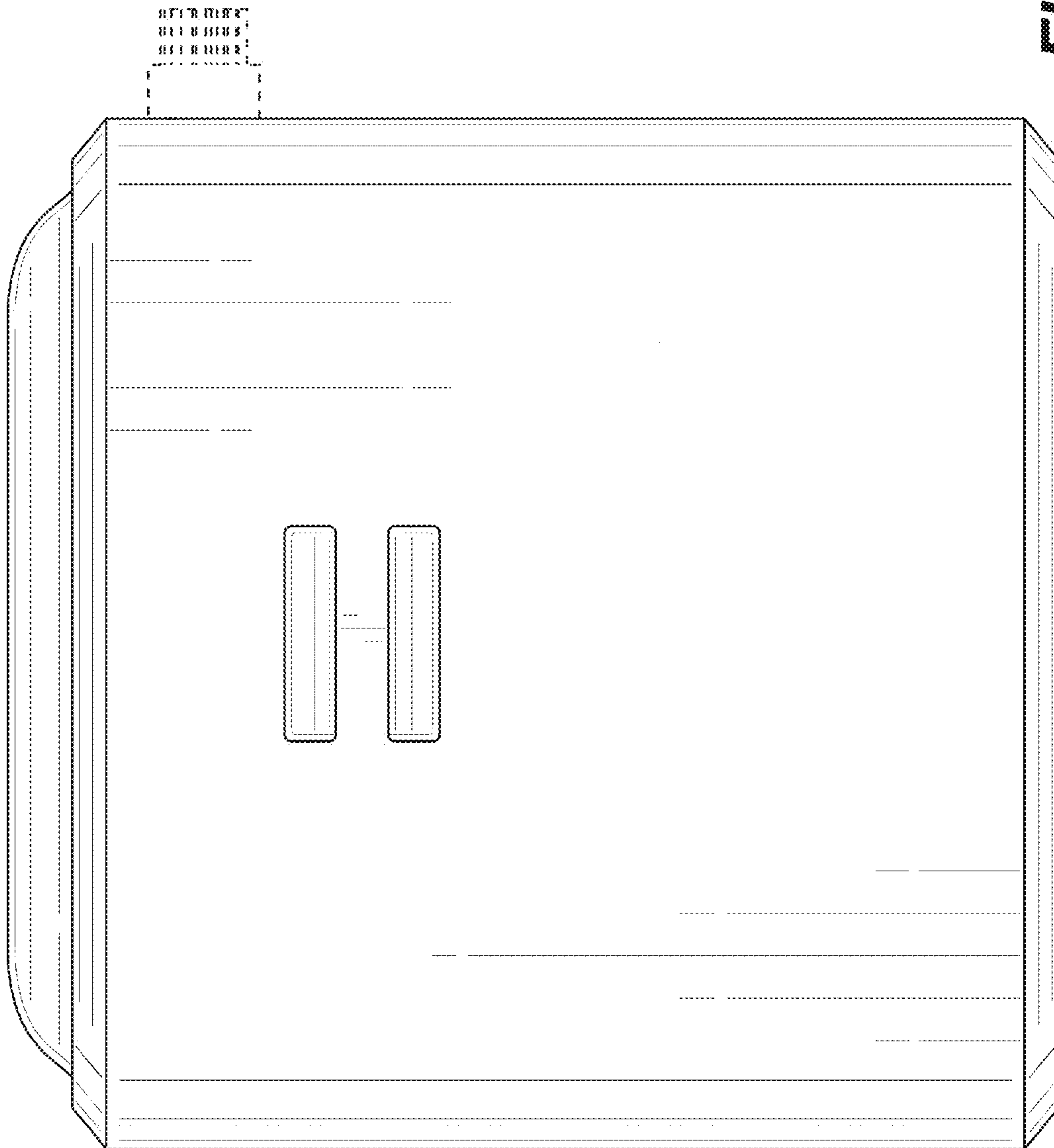


FIG. 5

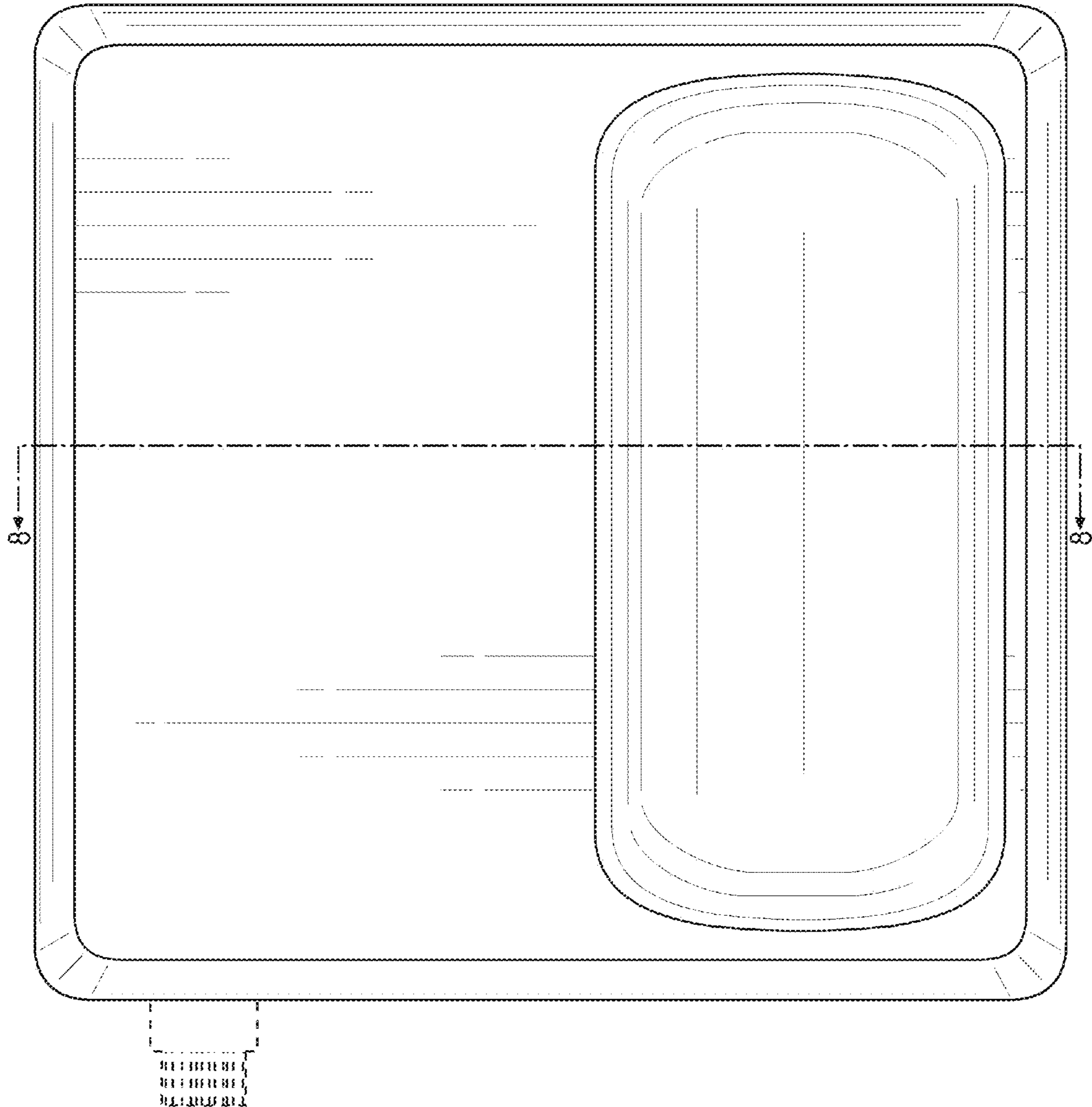


FIG. 6

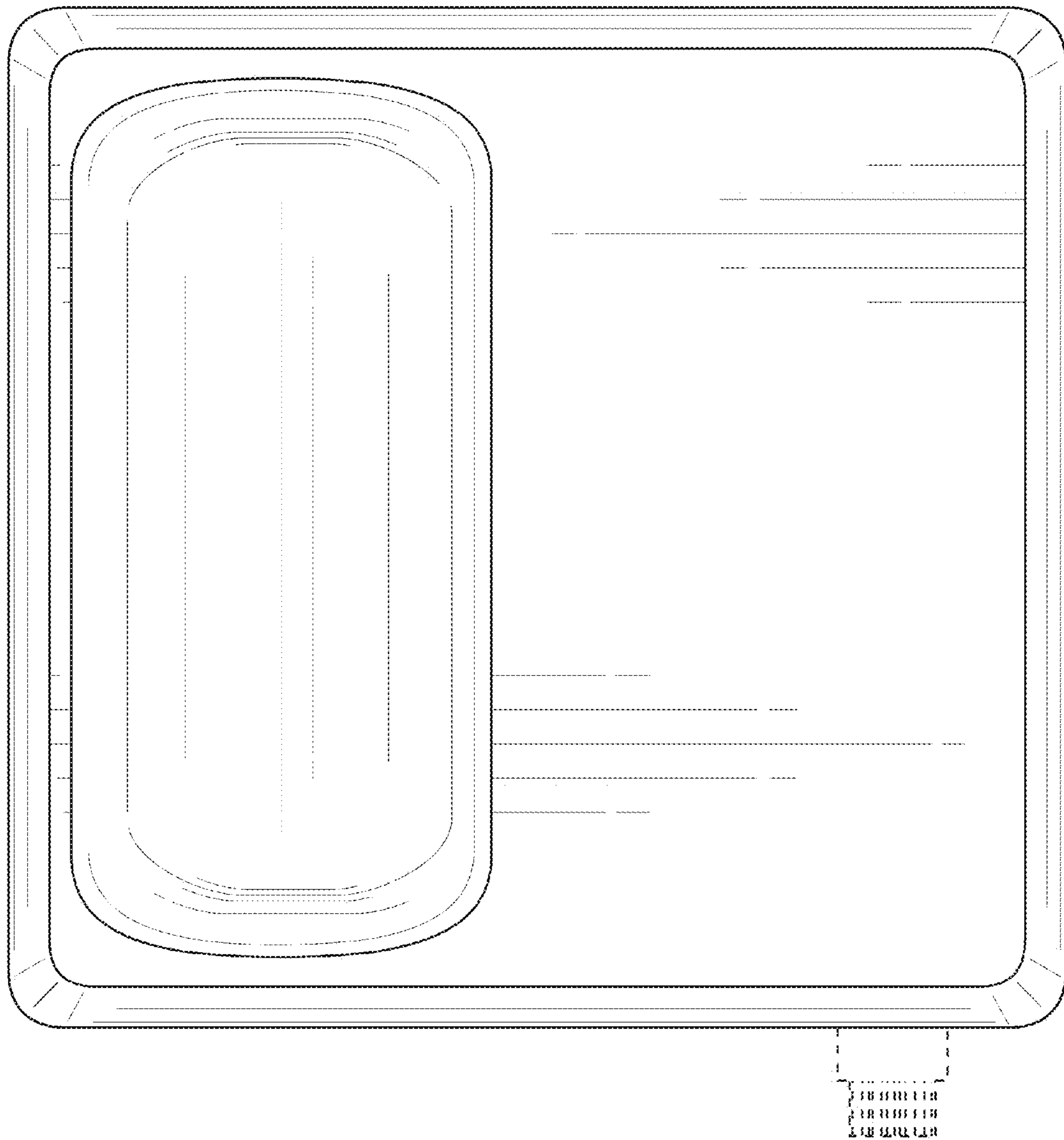


FIG. 7

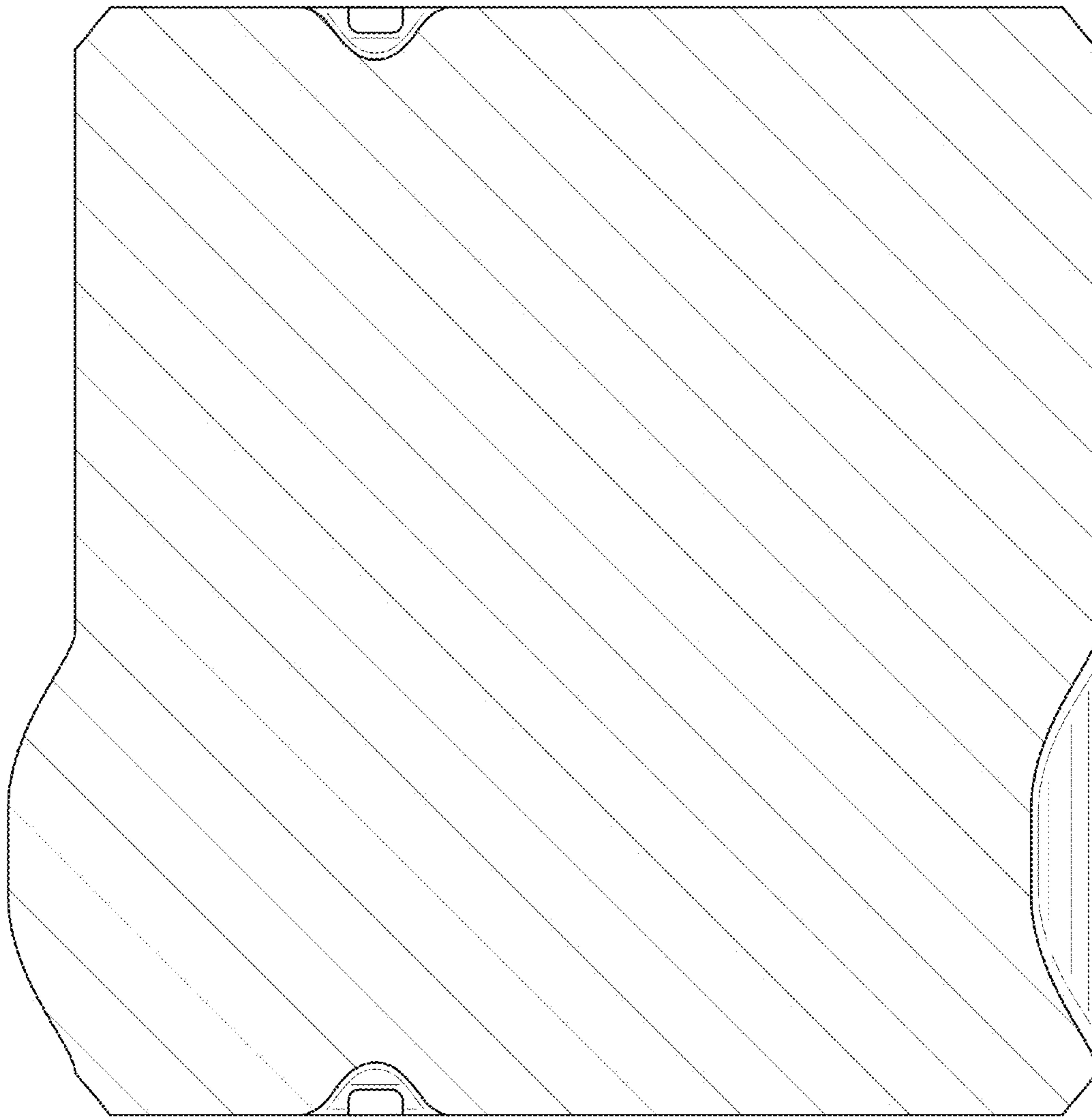


FIG. 8