



US00D737906S

(12) **United States Design Patent**
Printup

(10) **Patent No.:** **US D737,906 S**

(45) **Date of Patent:** **** Sep. 1, 2015**

(54) **EXERCISE DEVICE**

(71) Applicant: **Emmett Printup**, Sanborn, NY (US)

(72) Inventor: **Emmett Printup**, Sanborn, NY (US)

(**) Term: **14 Years**

(21) Appl. No.: **29/502,073**

(22) Filed: **Sep. 11, 2014**

(51) **LOC (10) Cl.** **21-02**

(52) **U.S. Cl.**
USPC **D21/662**

(58) **Field of Classification Search**
USPC D21/688, 662, 686, 679, 691, 682, 694,
D21/753, 400, 723, 775, 726, 672, 684,
D21/681; D24/211, 212, 214; 601/120;
36/134; 29/428; 12/142 P; 482/50, 106,
482/139, 46, 107, 129, 121, 102, 45, 92, 93,
482/44, 108, 110, 111, 94, 105, 109, 49,
482/141; 604/1; 446/170; 135/77; D7/682,
D7/669; D8/376, 378, 77; D3/7; D10/81;
D25/126; 473/256

See application file for complete search history.

(56) **References Cited**

U.S. PATENT DOCUMENTS

1,091,090 A * 3/1914 Tacail 601/141
D314,620 S * 2/1991 Battaglia D24/211
D366,604 S * 1/1996 Welch, Jr. D8/77
D408,925 S * 4/1999 Berry et al. D24/214

D428,997 S * 8/2000 Berry et al. D24/214
6,245,031 B1 * 6/2001 Pearson 601/118
D477,645 S * 7/2003 Vito D21/756
D703,779 S * 4/2014 Budacsek D21/756
D716,885 S * 11/2014 Murphy, Jr. D21/756
2006/0069333 A1 * 3/2006 Pidcock 601/123

* cited by examiner

Primary Examiner — Robert M Spear

Assistant Examiner — Ryan Harvey

(74) *Attorney, Agent, or Firm* — Hodgson Russ LLP

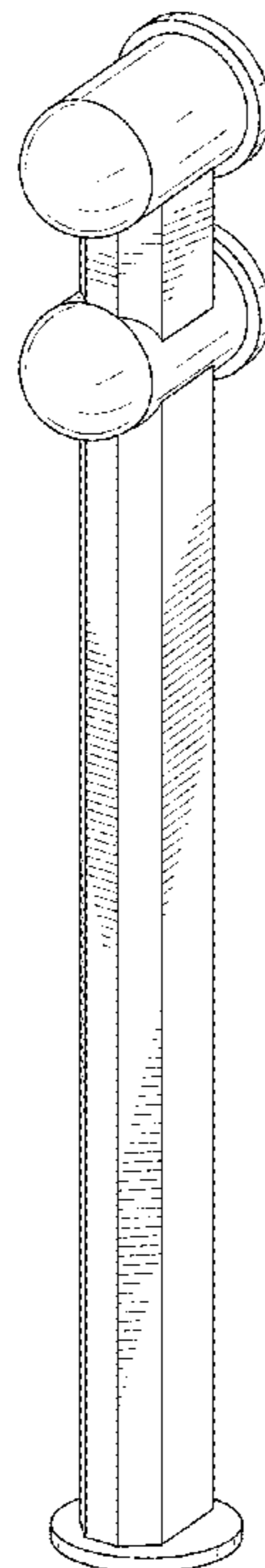
(57) **CLAIM**

The ornamental design for an exercise device, as shown and described.

DESCRIPTION

FIG. 1 is a perspective view of the exercise device showing my new design;
FIG. 2 is a front view thereof;
FIG. 3 is a rear view thereof;
FIG. 4 is a left view thereof;
FIG. 5 is a right view thereof;
FIG. 6 is a top view thereof;
FIG. 7 is a bottom view thereof; and,
FIG. 8 is perspective view thereof showing the exercise device with an exemplary elastic band in-use by a user.
The broken lines illustrate environmental features that form no part of the claimed design.

1 Claim, 5 Drawing Sheets



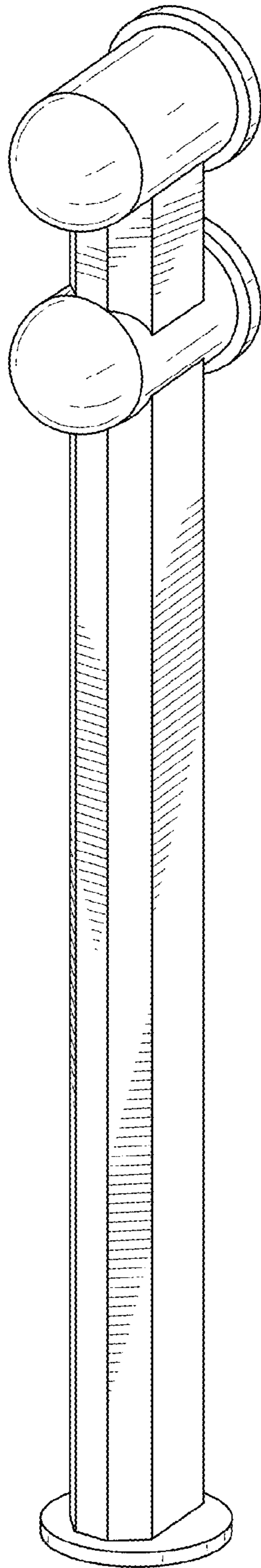


FIG. 1

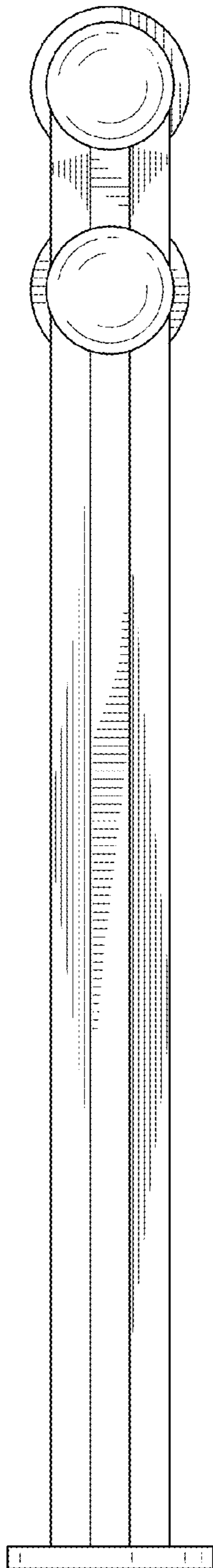


FIG. 2

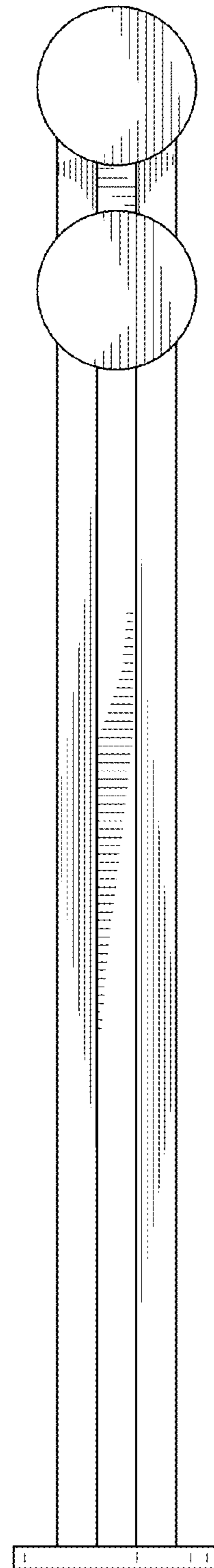


FIG. 3

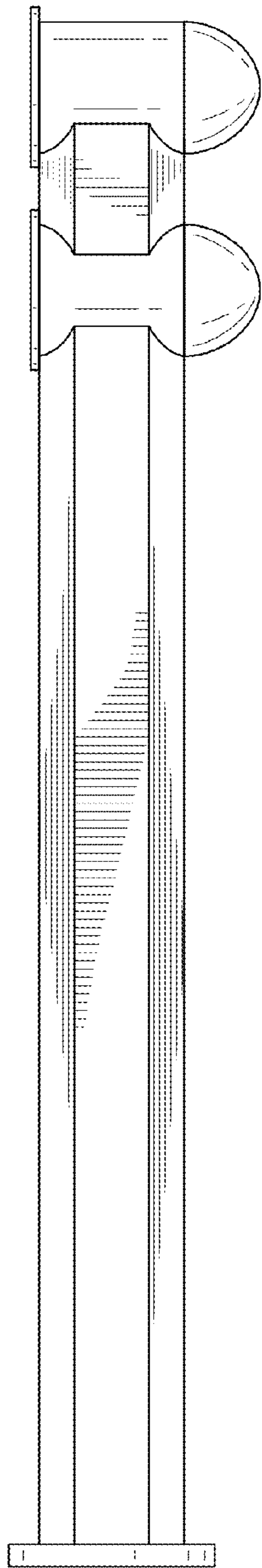


FIG. 4

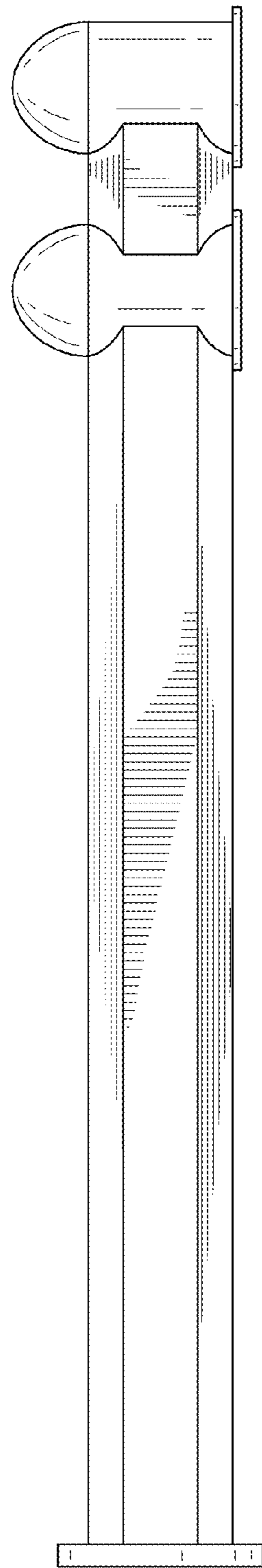


FIG. 5

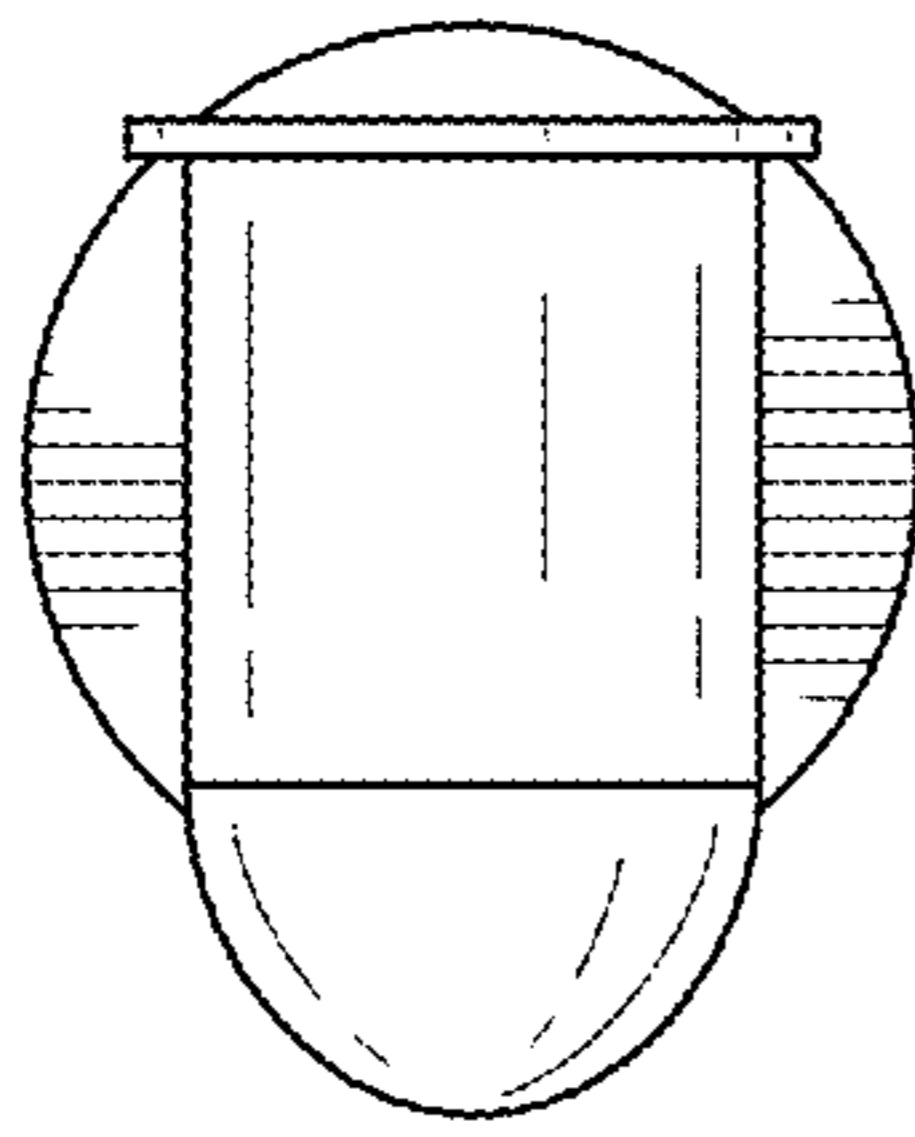


FIG. 6

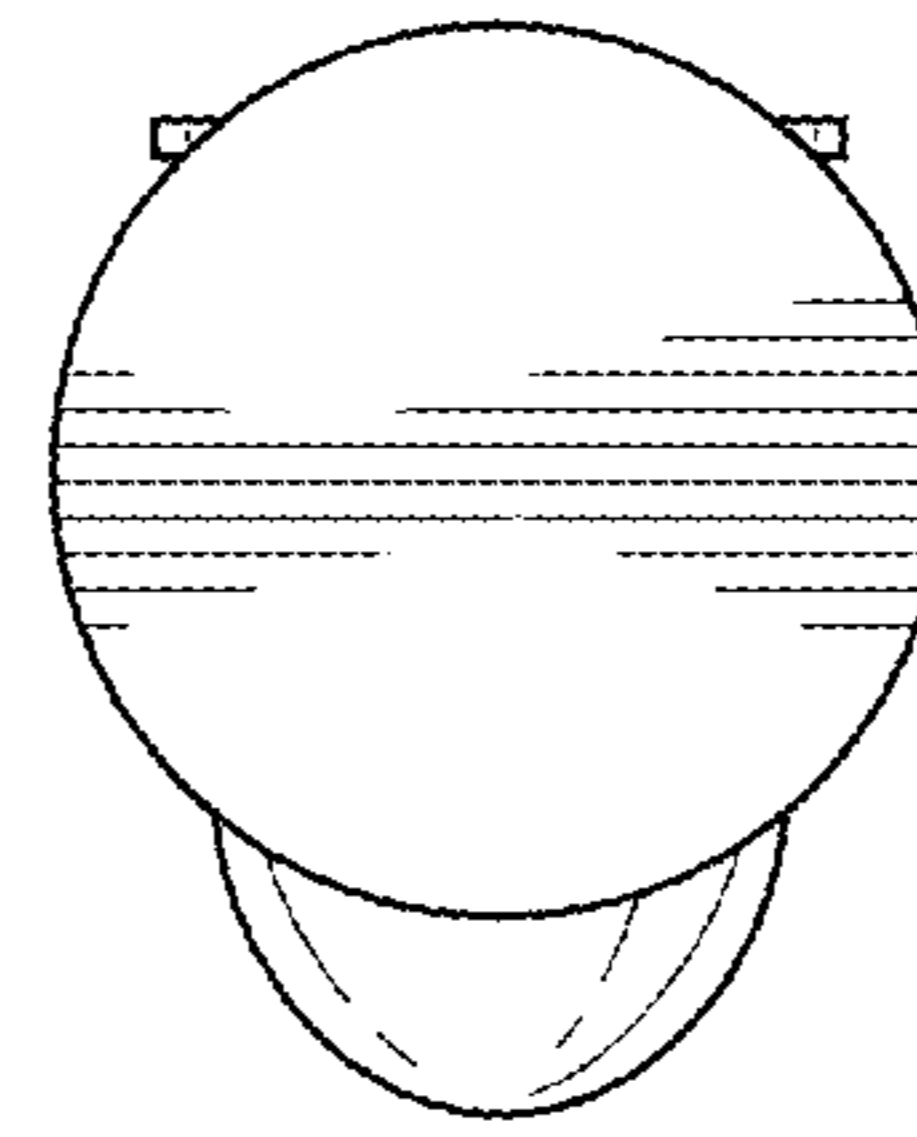


FIG. 7

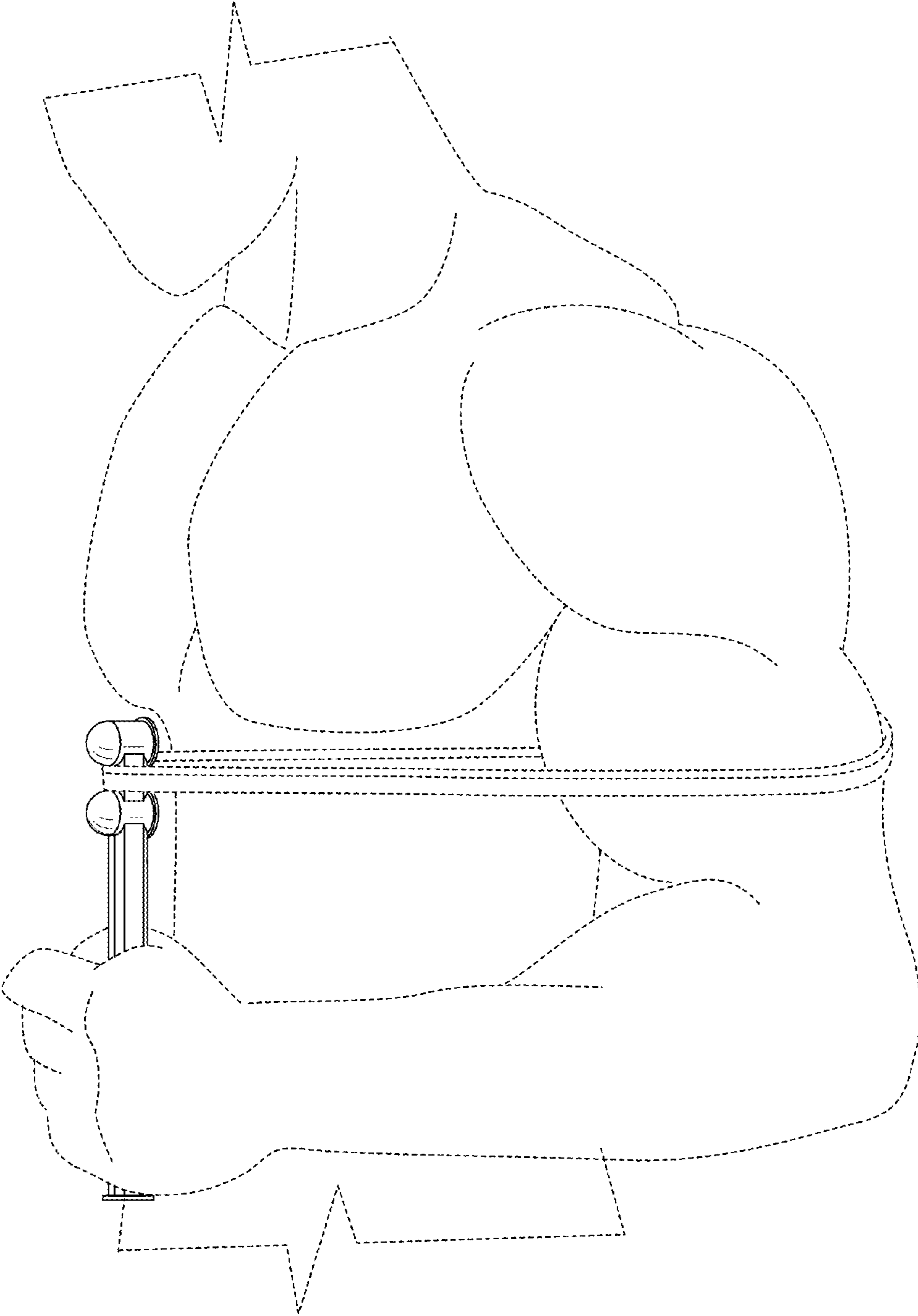


FIG. 8