



US00D737905S

(12) **United States Design Patent**
Klemm

(10) **Patent No.:** **US D737,905 S**

(45) **Date of Patent:** **** Sep. 1, 2015**

(54) **PUZZLE**

(71) Applicant: **Rebecca Klemm**, Washington, DC (US)

(72) Inventor: **Rebecca Klemm**, Washington, DC (US)

(**) Term: **14 Years**

(21) Appl. No.: **29/480,641**

(22) Filed: **Jan. 28, 2014**

(51) **LOC (10) Cl.** **21-01**

(52) **U.S. Cl.**
USPC **D21/480**

(58) **Field of Classification Search**

USPC D21/478–482, 300, 334, 342, 350, 363,
D21/368, 392, 393, 397, 468, 470, 484, 485,
D21/489, 490, 493, 504, 505; D19/59, 62,
D19/64; 446/69, 85, 86, 92, 118, 124;
273/236, 239, 276, 281, 282.1, 287,
273/293, 302, 153 R, 156, 157 R; 434/128,
434/160, 171, 176, 191, 211, 259, 393, 403,
434/406

See application file for complete search history.

(56) **References Cited**

U.S. PATENT DOCUMENTS

D193,659 S *	9/1962	Matricardi	D19/64
D217,778 S *	6/1970	Herstam	D21/480
D218,242 S *	8/1970	Gompes et al.	D21/479
D219,216 S *	11/1970	Speers	D19/64
D229,419 S *	11/1973	Matsumoto	D19/64
D286,798 S *	11/1986	Krober	D21/478
D311,556 S *	10/1990	Popek et al.	D21/470
D349,300 S *	8/1994	Lau	D19/62
2005/0184459 A1 *	8/2005	Marantz et al.	273/157 R

2007/0262521 A1 *	11/2007	Burns	273/153 R
2011/0095478 A1 *	4/2011	Juenger	273/157 R
2012/0237904 A1 *	9/2012	Alicea	434/128

* cited by examiner

Primary Examiner — Catherine Tuttle

(74) *Attorney, Agent, or Firm* — The Law Firm of Andrea Hence Evans, LLC

(57) **CLAIM**

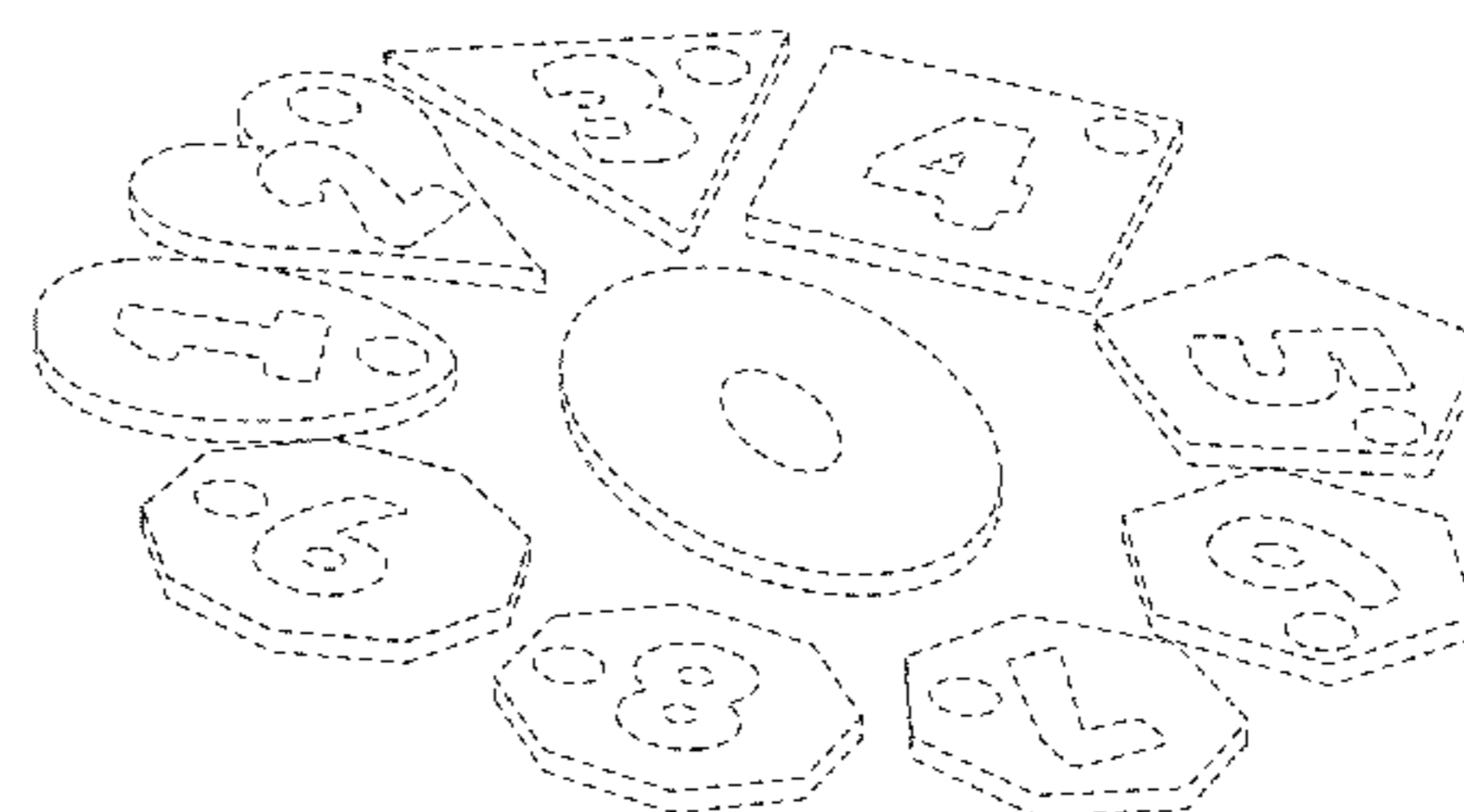
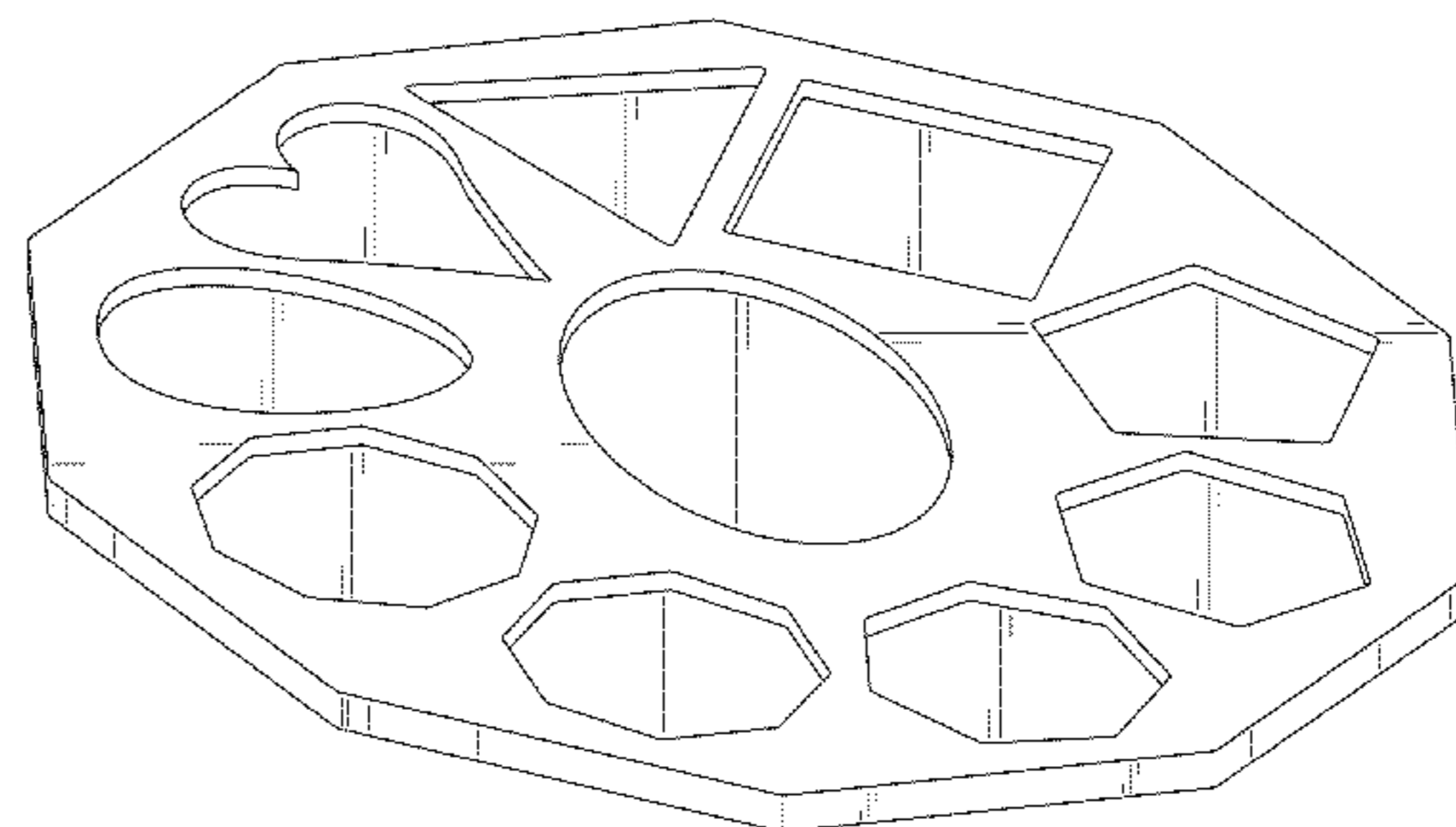
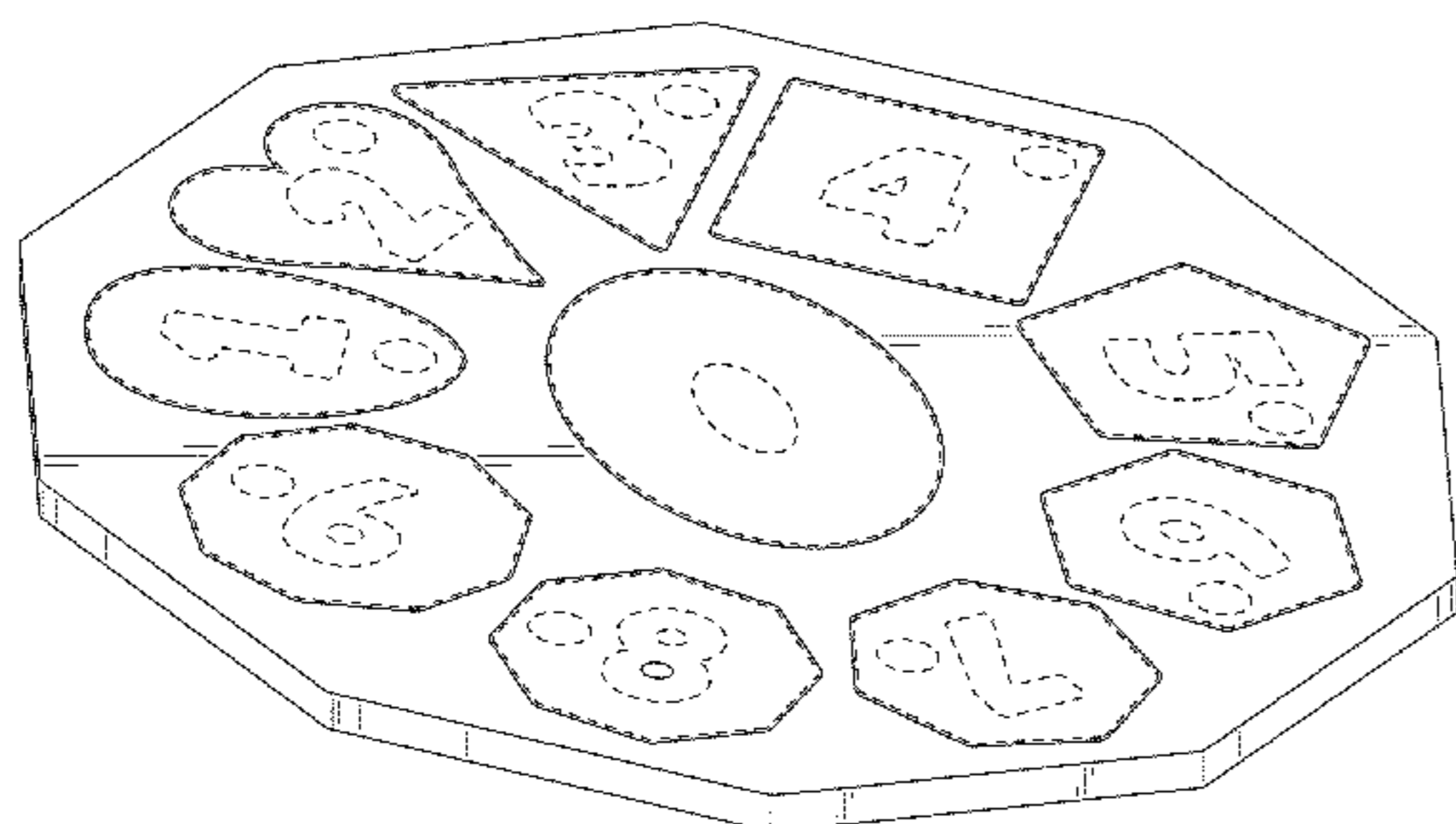
The ornamental design for puzzle, as shown and described.

DESCRIPTION

FIG. 1 is a perspective view showing my new design for a puzzle;
FIG. 2 is a perspective view showing the puzzle board and puzzle pieces in FIG. 1 in a separated state;
FIG. 3 is a top plan view of FIG. 1;
FIG. 4 is a perspective view showing the design in association with an alternate set of puzzle pieces;
FIG. 5 is a perspective view showing the puzzle board and puzzle pieces in FIG. 4 in a separated state;
FIG. 6 is a top plan view of FIG. 4;
FIG. 7 is a perspective view showing the design in association with another alternate set of the puzzle pieces;
FIG. 8 is a perspective view showing the puzzle board and puzzle pieces in FIG. 7 in a separated state; and,
FIG. 9 is a top plan view of FIG. 7.

The sides and bottom of the puzzle are substantially flat and unornamented. The puzzle pieces shown in broken lines are for illustrative purposes only and form no part of the claimed design.

1 Claim, 9 Drawing Sheets



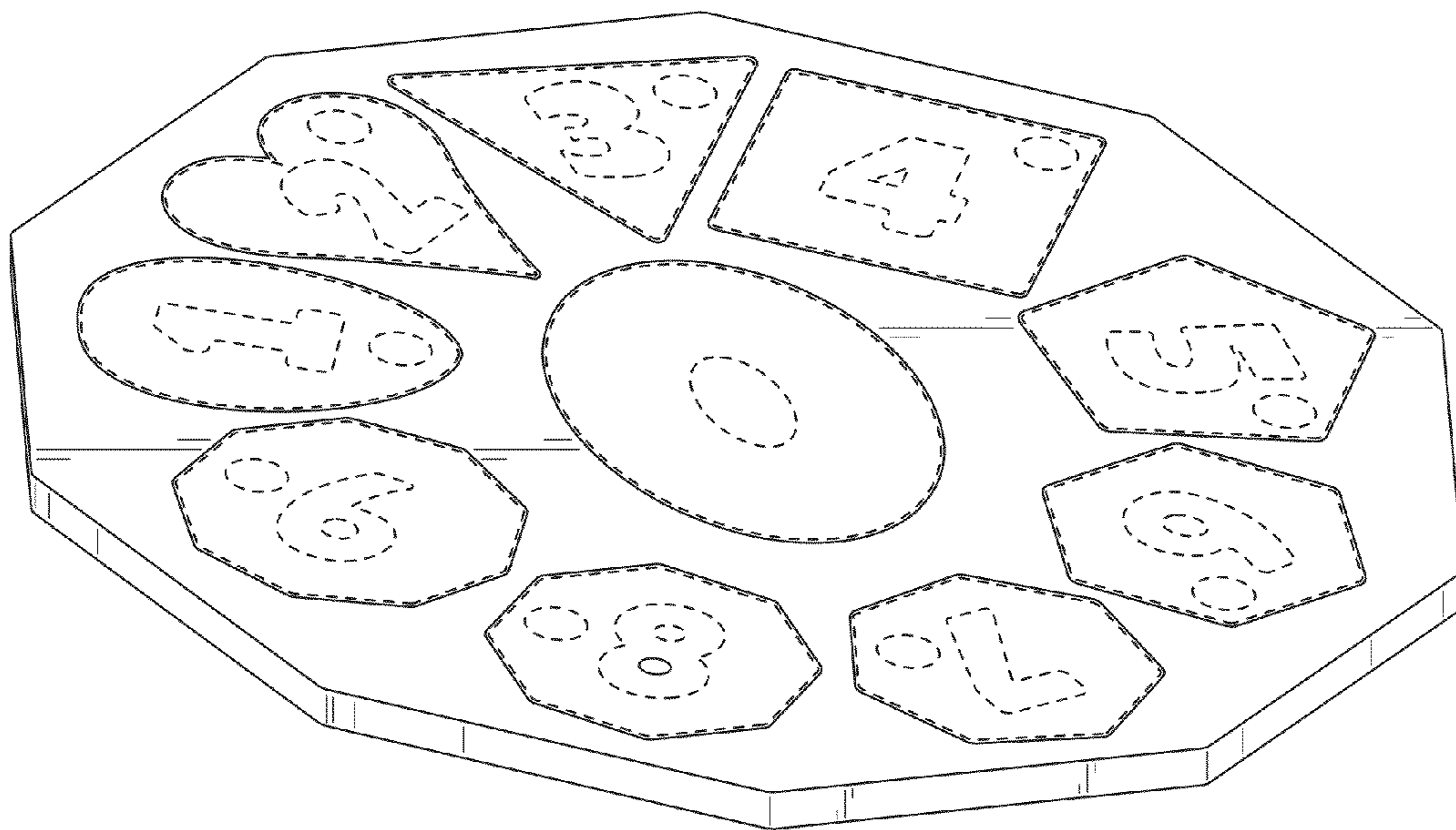


FIG. 1

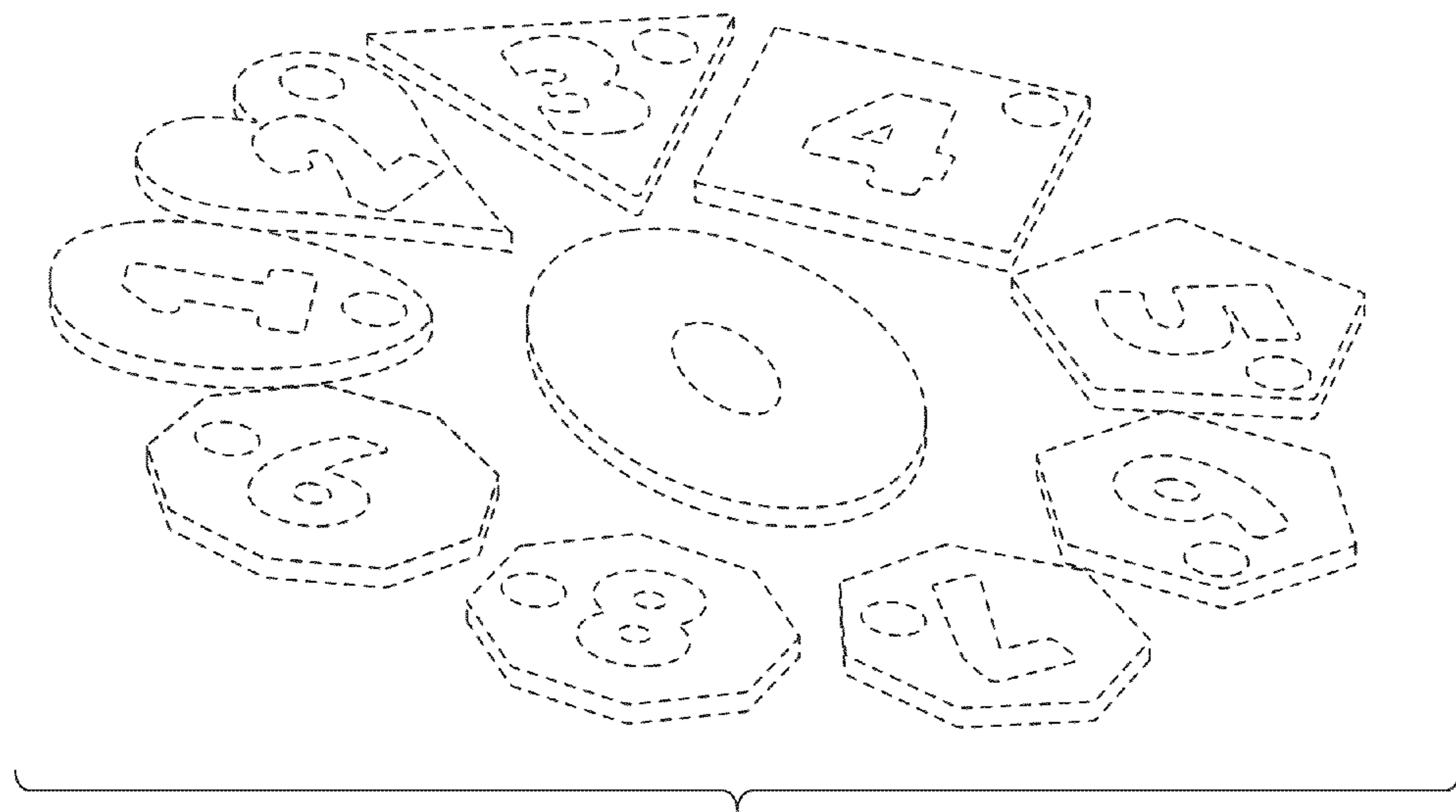
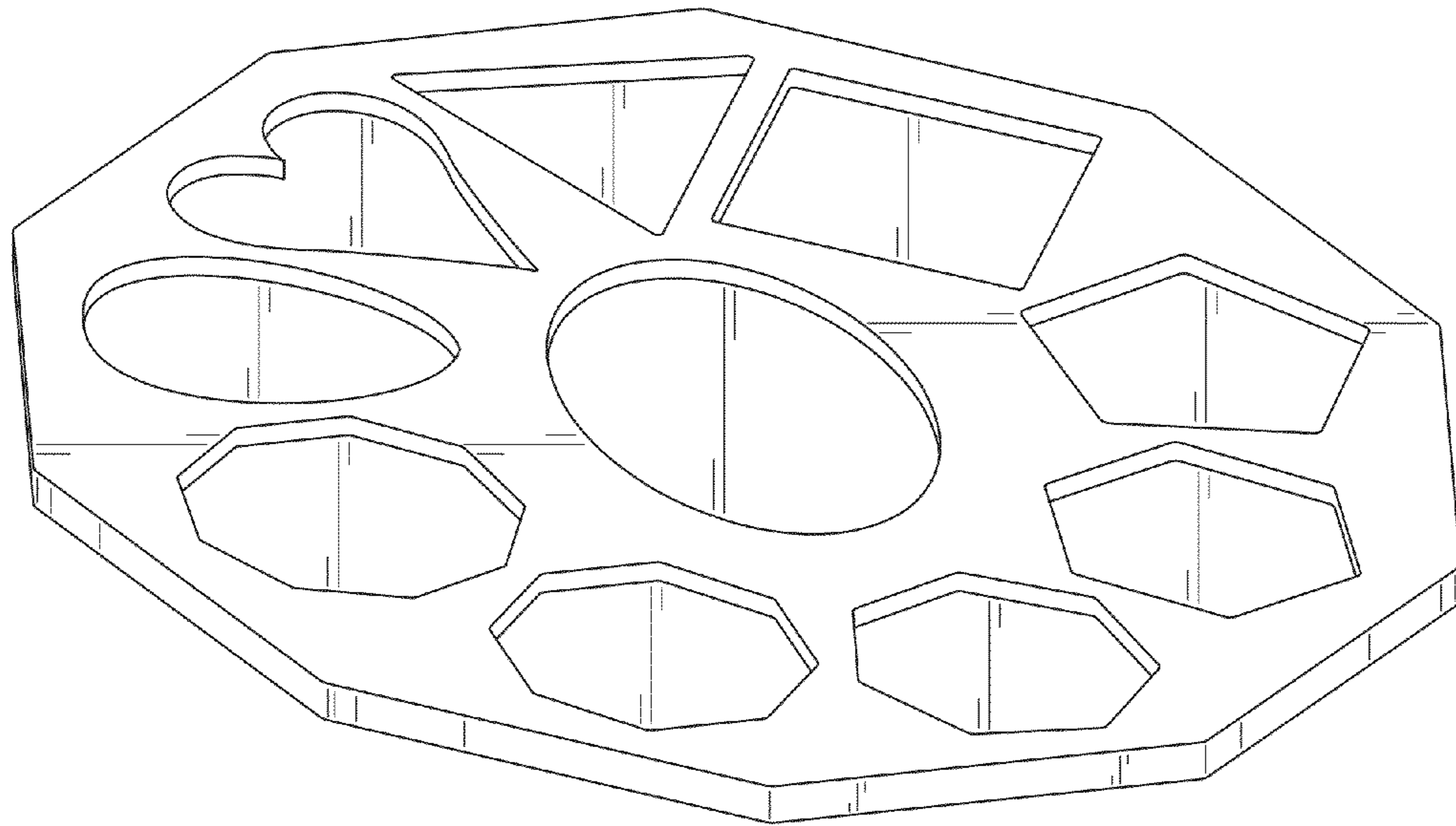


FIG. 2

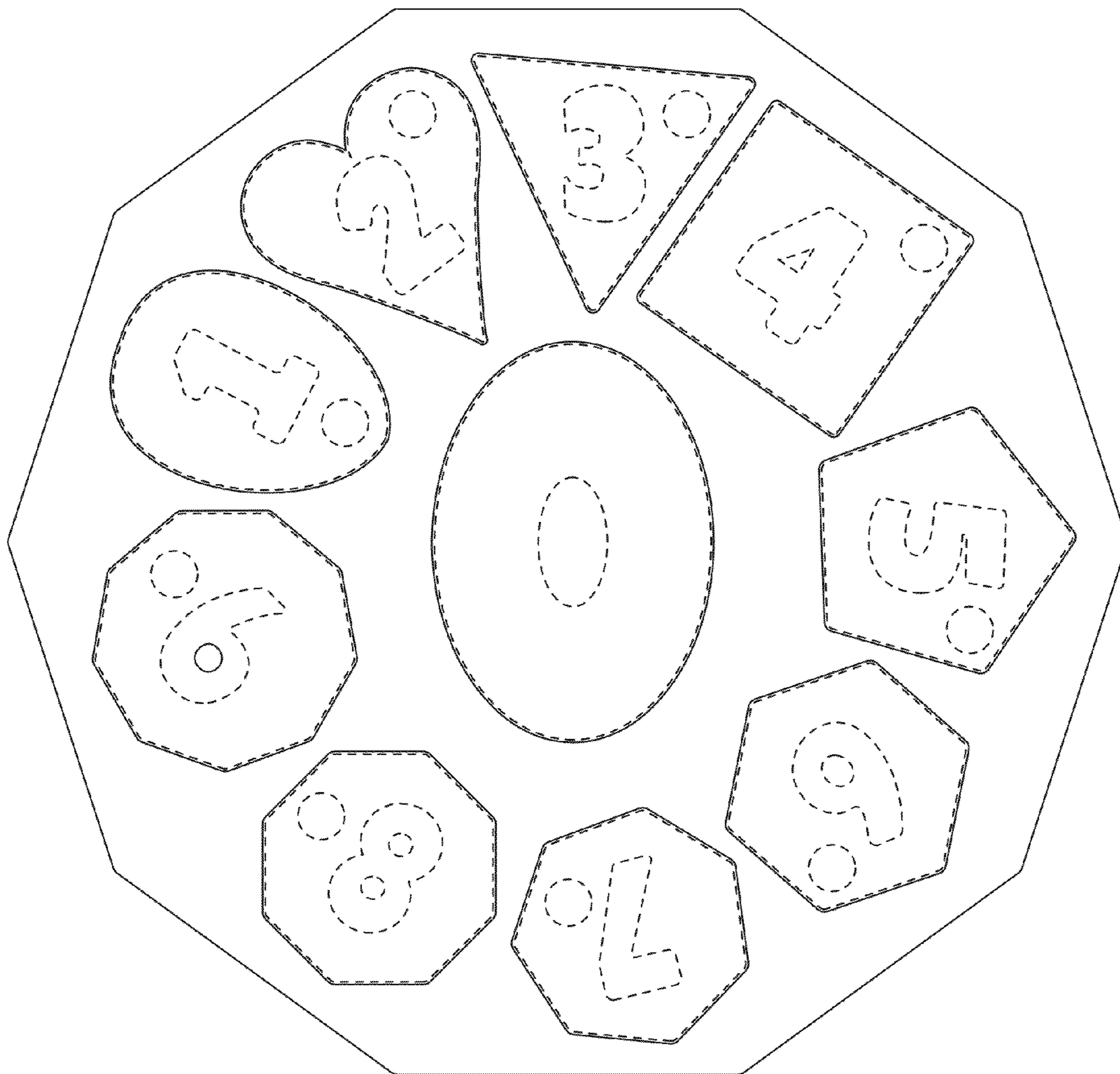


FIG. 3

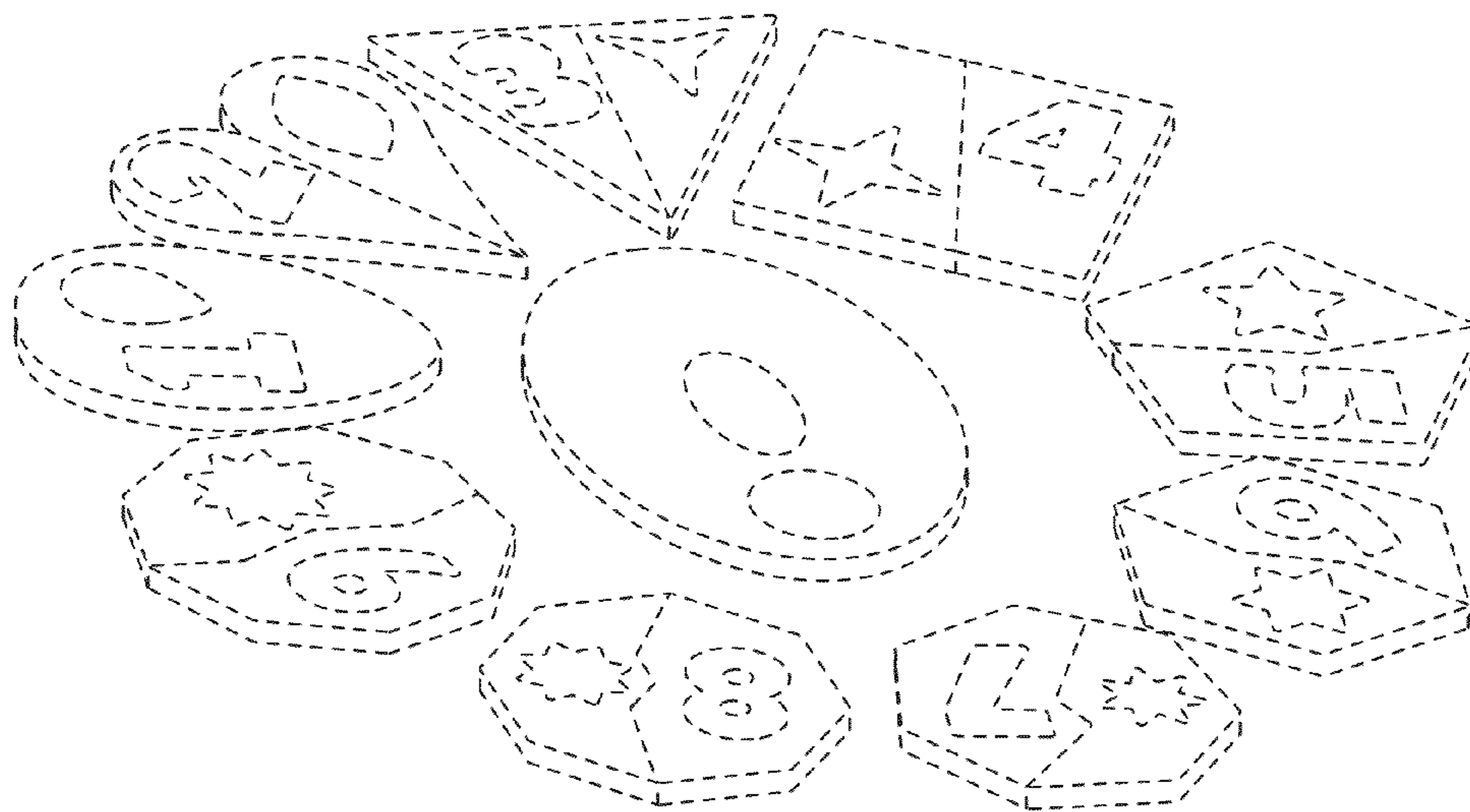
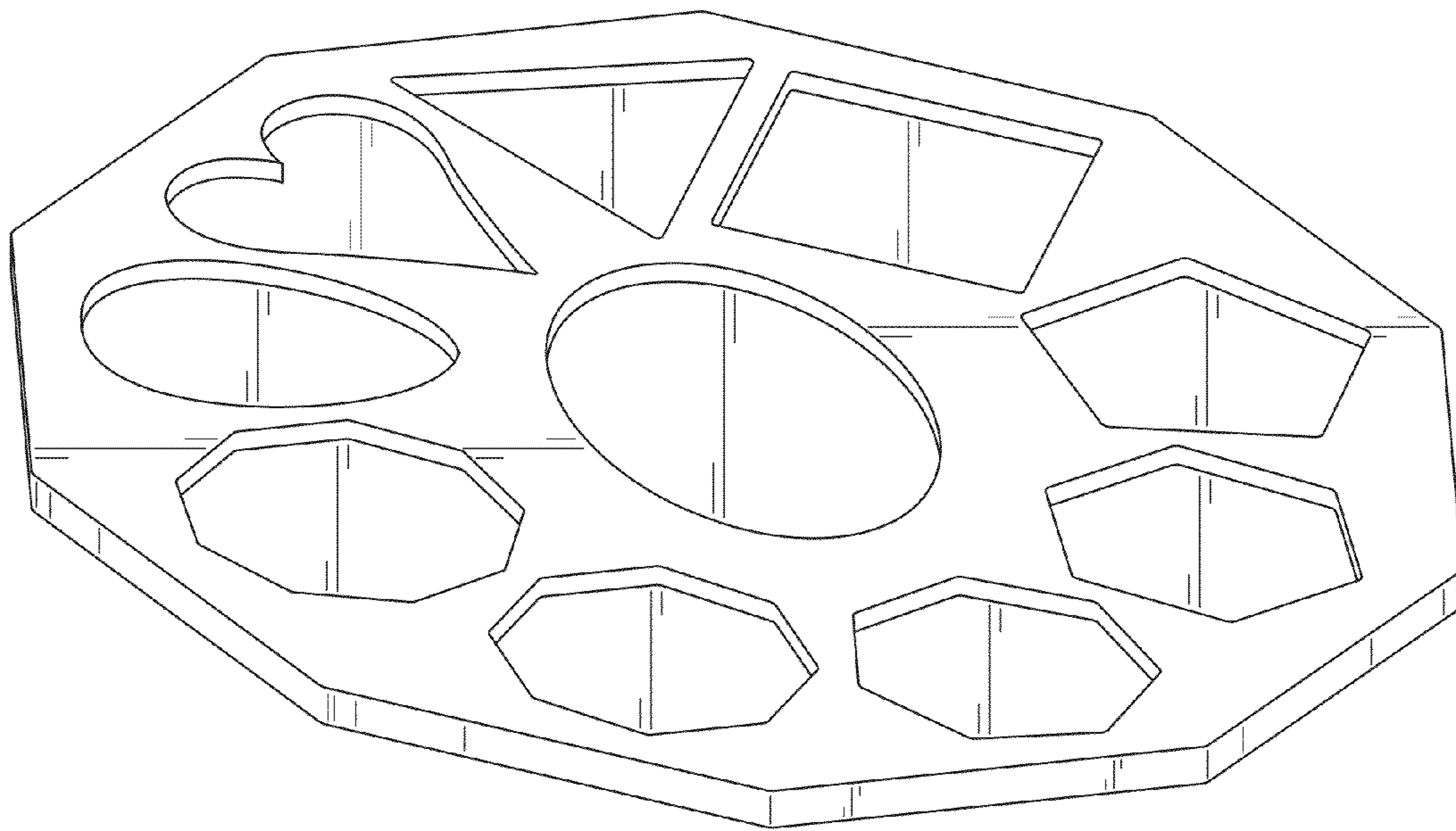


FIG. 5

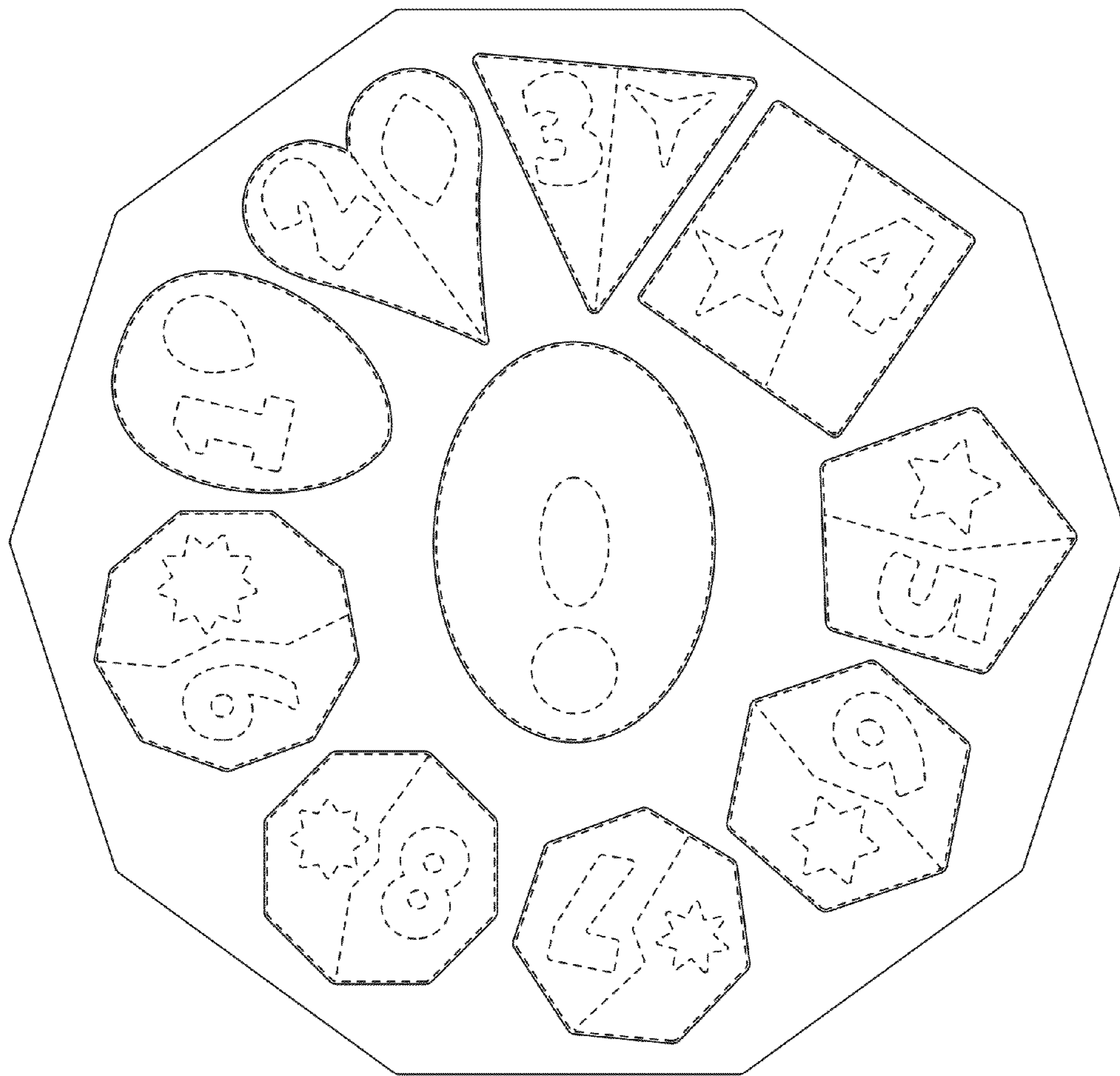


FIG. 6

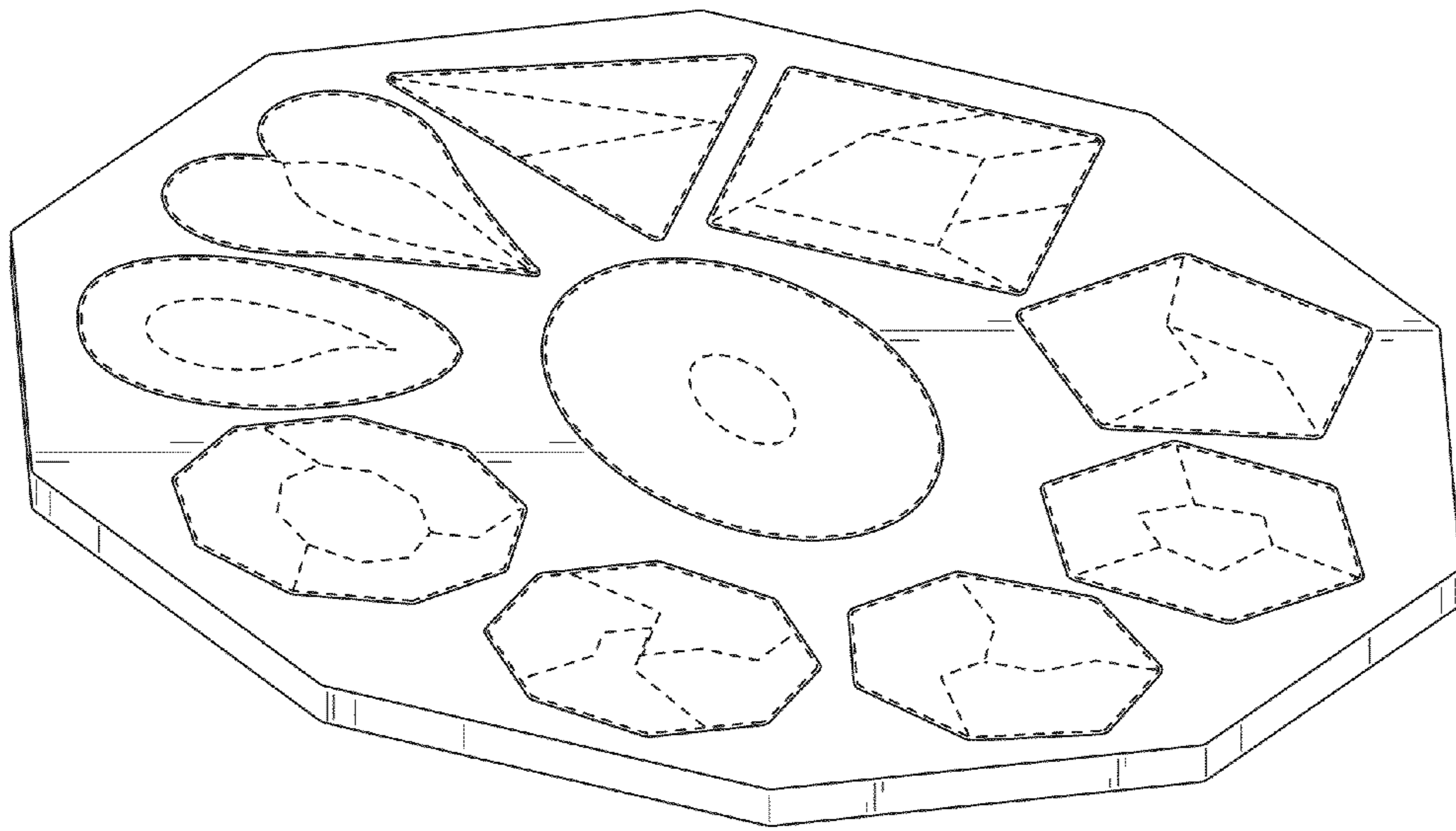


FIG. 7

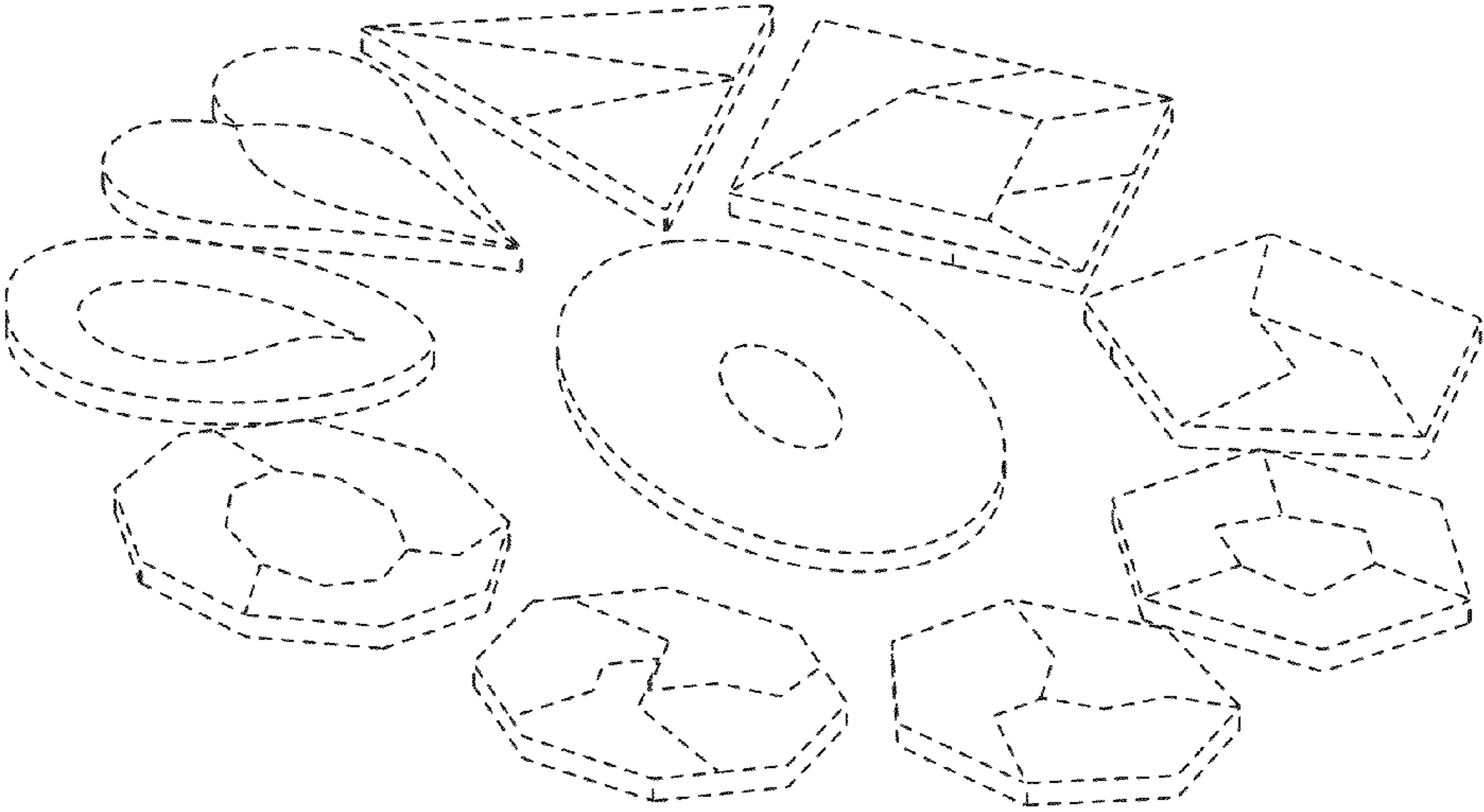
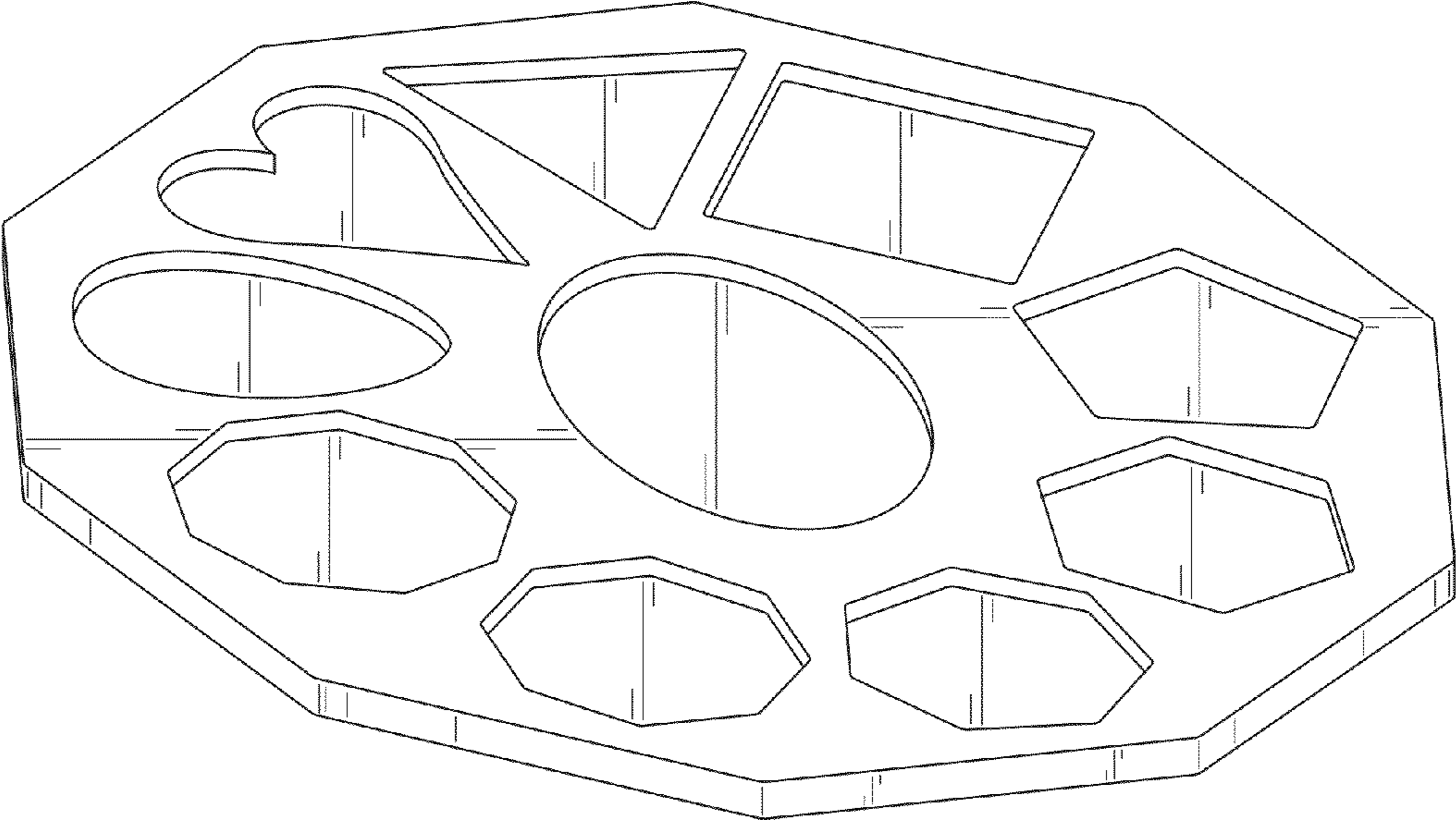


FIG. 8

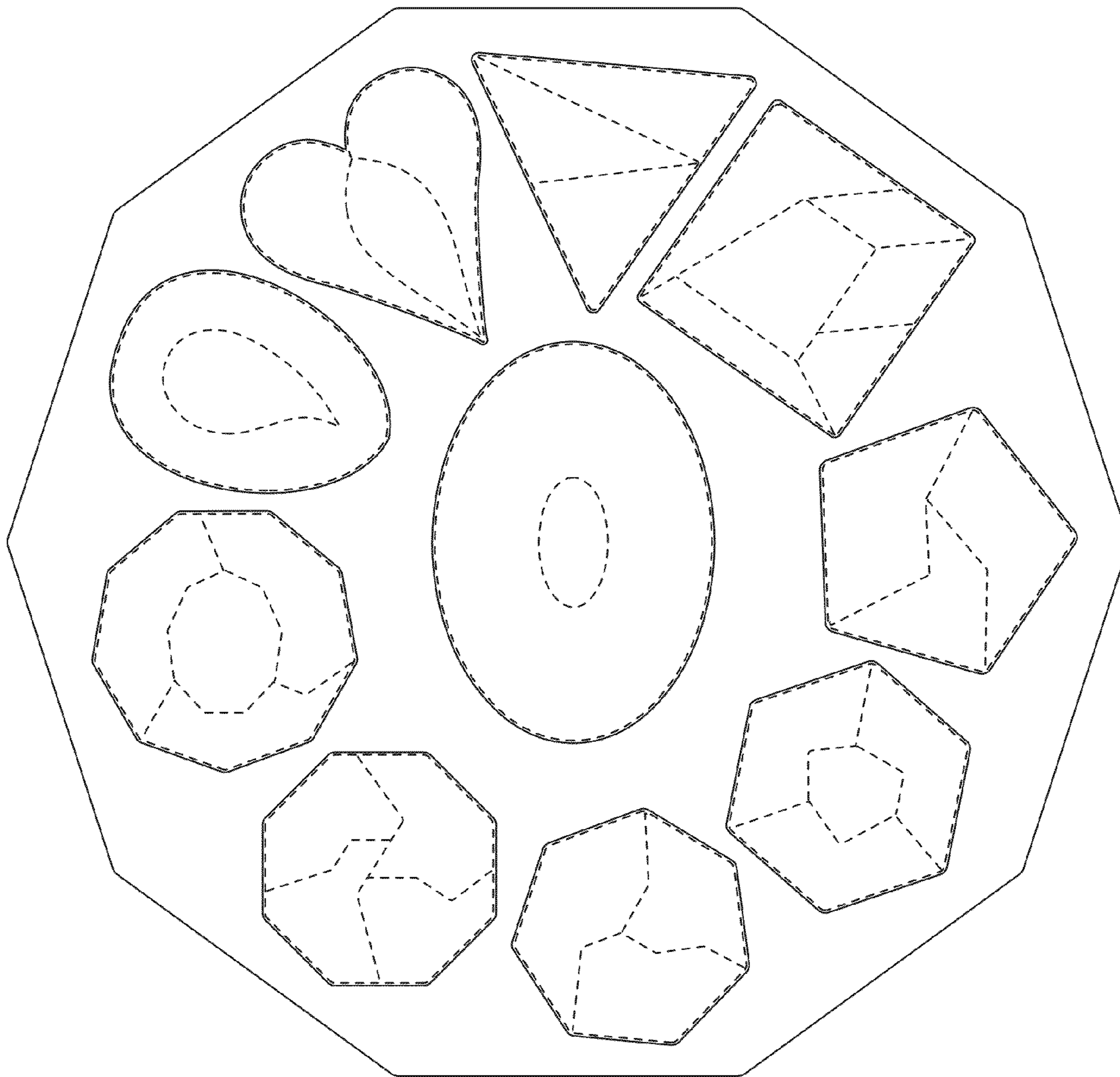


FIG. 9