



US00D737904S

(12) **United States Design Patent**
Kuehne

(10) **Patent No.:** **US D737,904 S**

(45) **Date of Patent:** **** *Sep. 1, 2015**

(54) **ROTATING RIDE-ON TOY**

(76) Inventor: **Robert Kuehne**, Mesa, AZ (US)

(*) Notice: This patent is subject to a terminal disclaimer.

(**) Term: **14 Years**

(21) Appl. No.: **29/395,064**

(22) Filed: **Nov. 18, 2011**

Related U.S. Application Data

(63) Continuation-in-part of application No. 11/747,649, filed on May 11, 2007, now abandoned.

(51) **LOC (10) Cl.** **21-01**

(52) **U.S. Cl.**
USPC **D21/419**; D21/413

(58) **Field of Classification Search**
USPC D21/398, 400, 413, 419, 421, 422, 455, D21/457, 460, 461, 662, 679-681, 686, 688, D21/689, 691, 694, 698, 722, 725, 753, 756, D21/757, 759, 767, 771, 775, 780, 789, 791, D21/793, 794, 796, 797, 800, 814, 823, 828, D21/830, 412; D8/14, 107, 303, 310, 499, D8/DIG. 6, DIG. 7; D3/7, 12, 13; D32/1, D32/35; 472/1, 14, 15, 19, 23-42, 118; 446/29, 236-266, 487, 491; 482/14, 482/15, 18, 33, 35, 51, 66, 75-77; 280/819-824

See application file for complete search history.

(56) **References Cited**

U.S. PATENT DOCUMENTS

2,144,688	A *	1/1939	Riede	280/824
2,408,262	A *	9/1946	Long	446/262
2,526,862	A *	10/1950	Gilleland	446/241
3,773,320	A *	11/1973	Samiran et al.	482/77
D232,242	S *	7/1974	Young	D21/422
D235,029	S *	4/1975	Wilje	D21/775
3,960,382	A *	6/1976	Reynolds	280/823

D243,265	S *	2/1977	Koblick	D21/775
4,358,138	A *	11/1982	Laughlin et al.	280/819
D348,502	S *	7/1994	Webb, Jr.	D21/823
6,494,787	B1 *	12/2002	Bork et al.	472/16
6,827,370	B2 *	12/2004	Haramati et al.	280/819
2007/0021029	A1 *	1/2007	Weidetz et al.	446/256

* cited by examiner

Primary Examiner — Catherine Tuttle

(74) *Attorney, Agent, or Firm* — Booth Udall Fuller, PLC

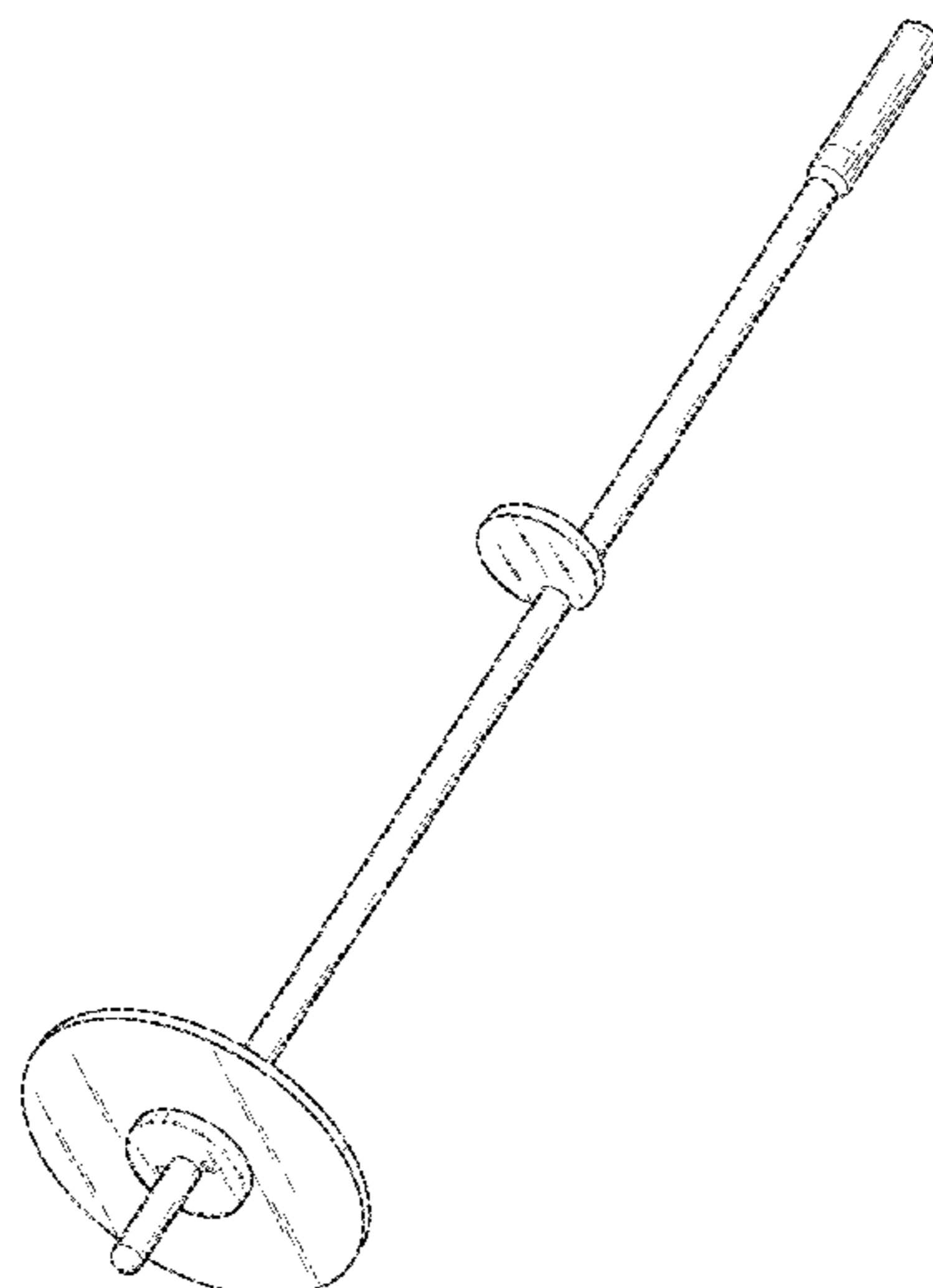
(57) **CLAIM**

The ornamental design for a rotating ride-on toy, as shown and described.

DESCRIPTION

FIG. 1 is a perspective view showing my new design for a rotating ride on toy with the puck element in position on the main body portion of the toy;
 FIG. 2 is a perspective view similar to FIG. 1 but showing the puck separated from the main body of the toy;
 FIG. 3 is a perspective view showing the puck in an alternate separated position relative to the main body of the toy;
 FIG. 4 is a rear elevation view of FIG. 3, showing the cutout portion of the puck edge;
 FIG. 5 is a front elevation view thereof;
 FIG. 6 is a side elevation view thereof;
 FIG. 7 is a top plan view thereof;
 FIG. 8 is a bottom plan view of FIG. 1;
 FIG. 9 is a bottom plan view of FIGS. 3-6;
 FIG. 10 is a cross sectional view of the puck element, taken along line 10-10 of FIG. 11;
 FIG. 11 is an enlarged scale, upper perspective view of the lower portion of FIGS. 3-6;
 FIG. 12 is an enlarged scale elevation view of the portion of FIG. 4 as indicated by dashed line circle 12;
 FIG. 13 is an enlarged scale elevation view of the handle portion of FIG. 6, indicated by the dashed line circle 13; and,
 FIG. 14 is an enlarged scale elevation view of the puck portion of FIG. 6 indicated by dashed line circle 14.

1 Claim, 7 Drawing Sheets



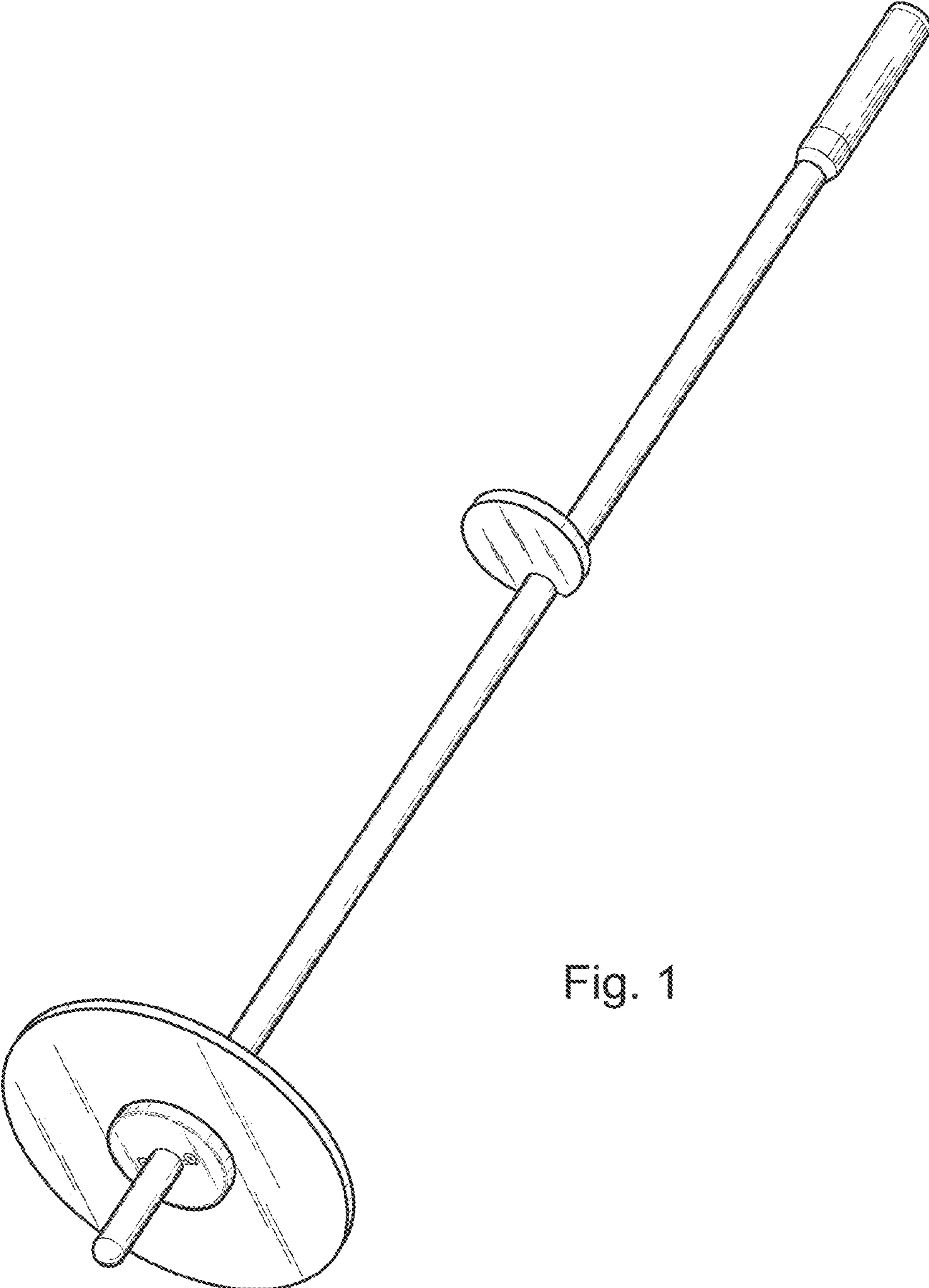


Fig. 1

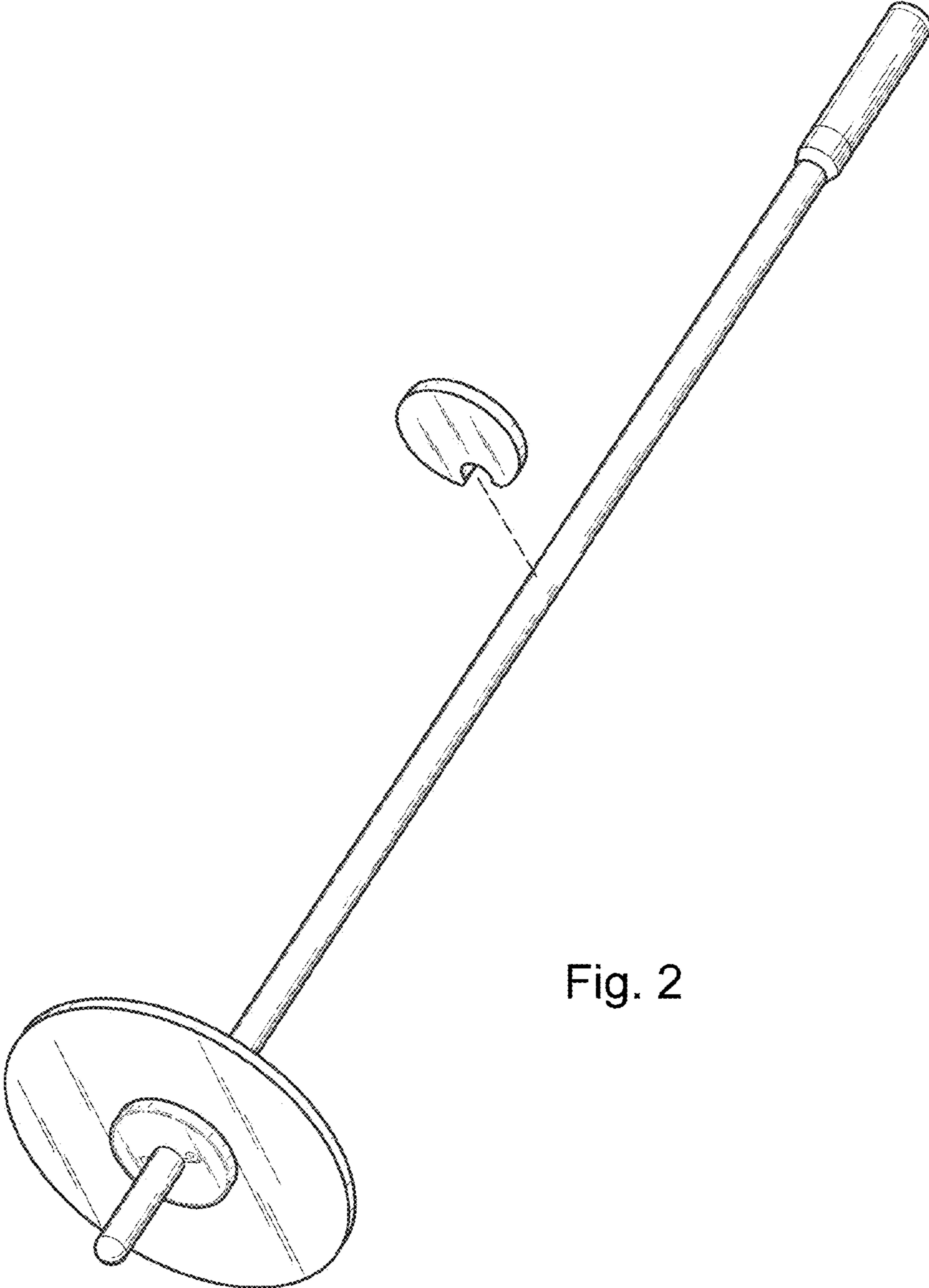


Fig. 2

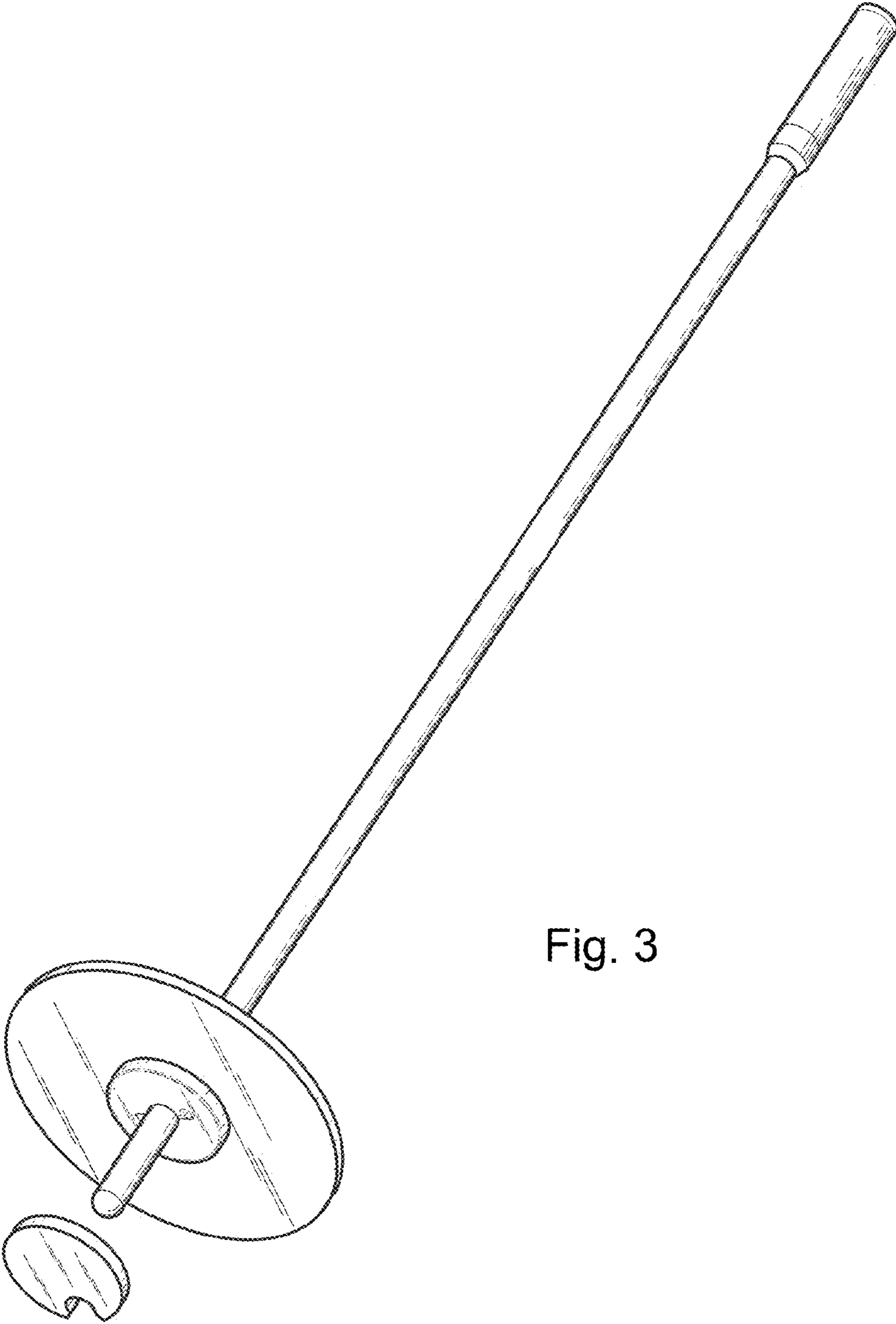
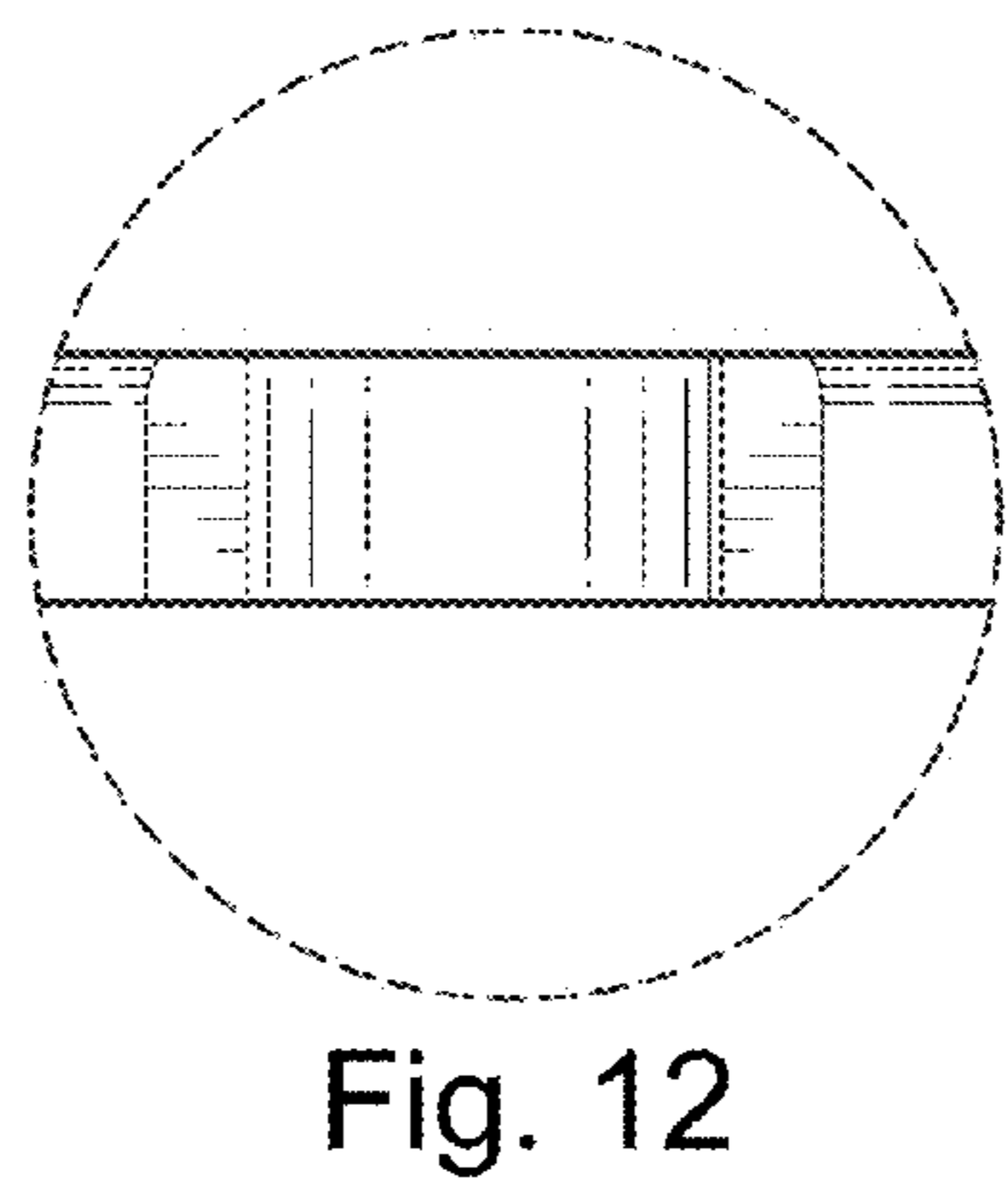
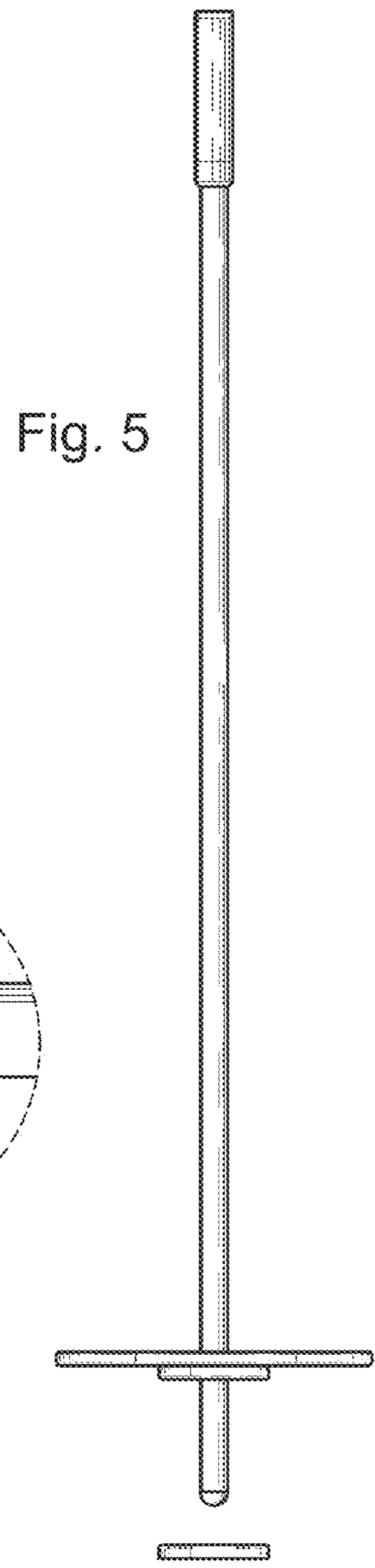
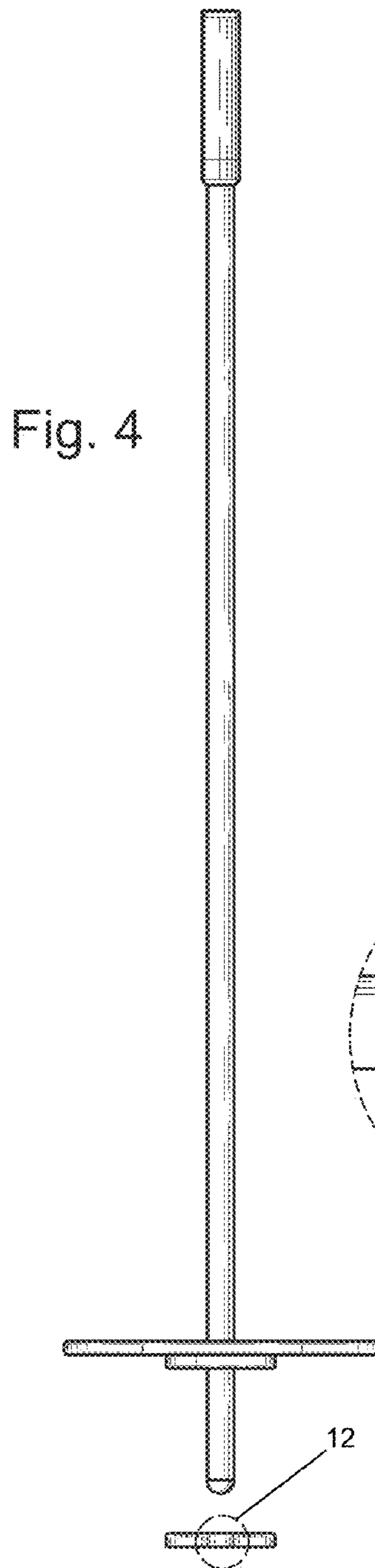


Fig. 3



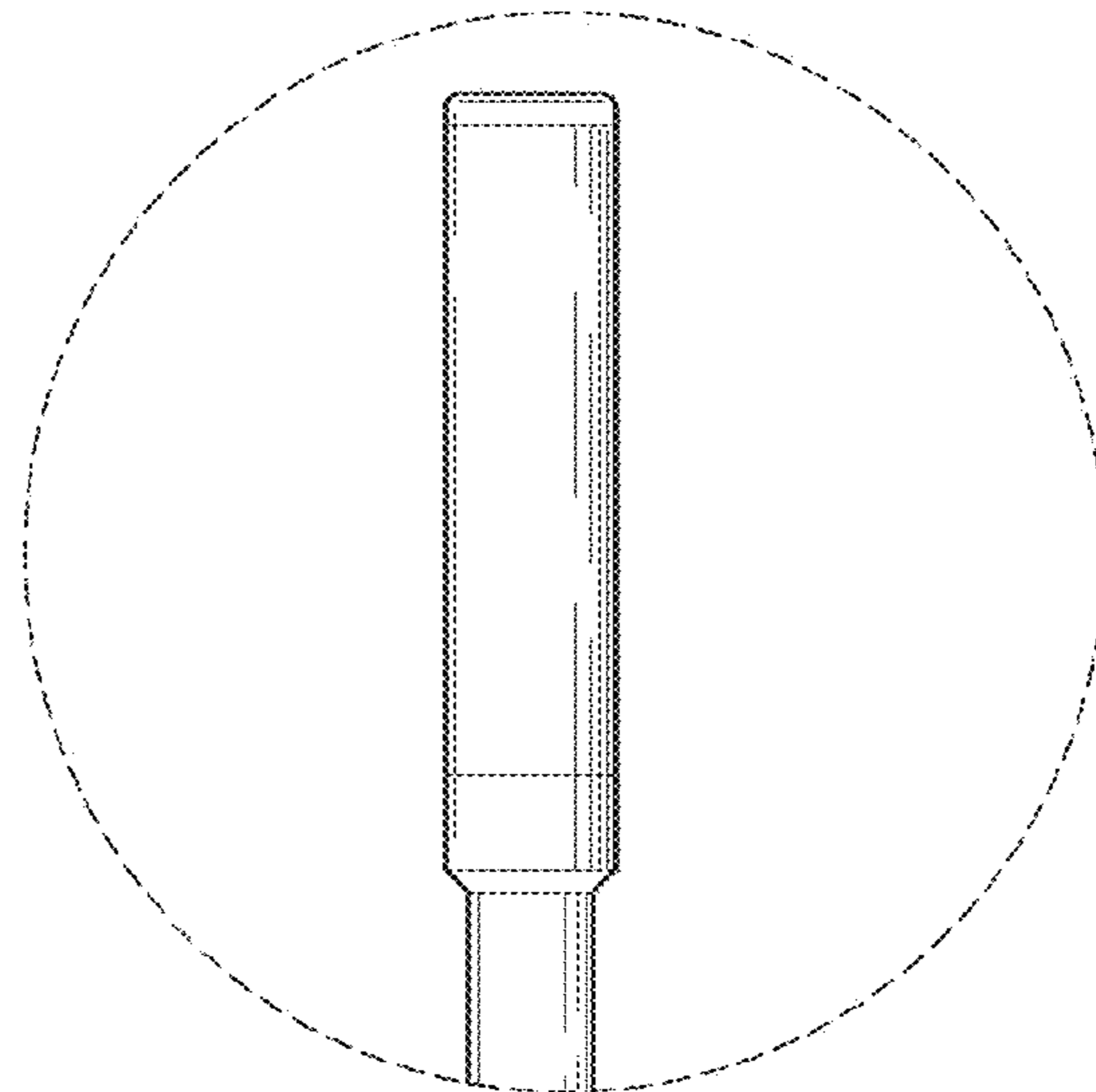
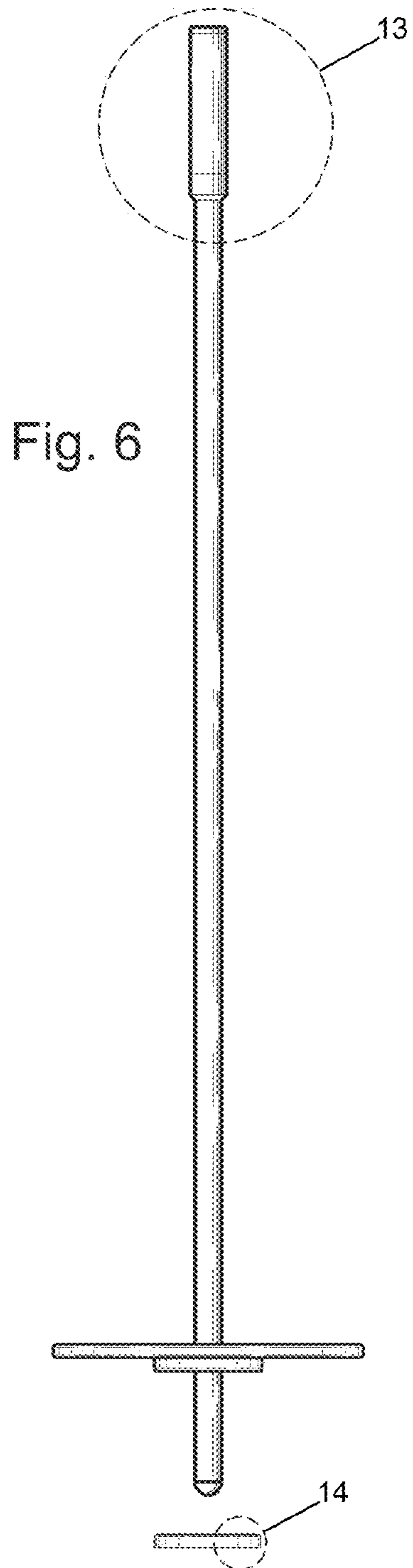


Fig. 13

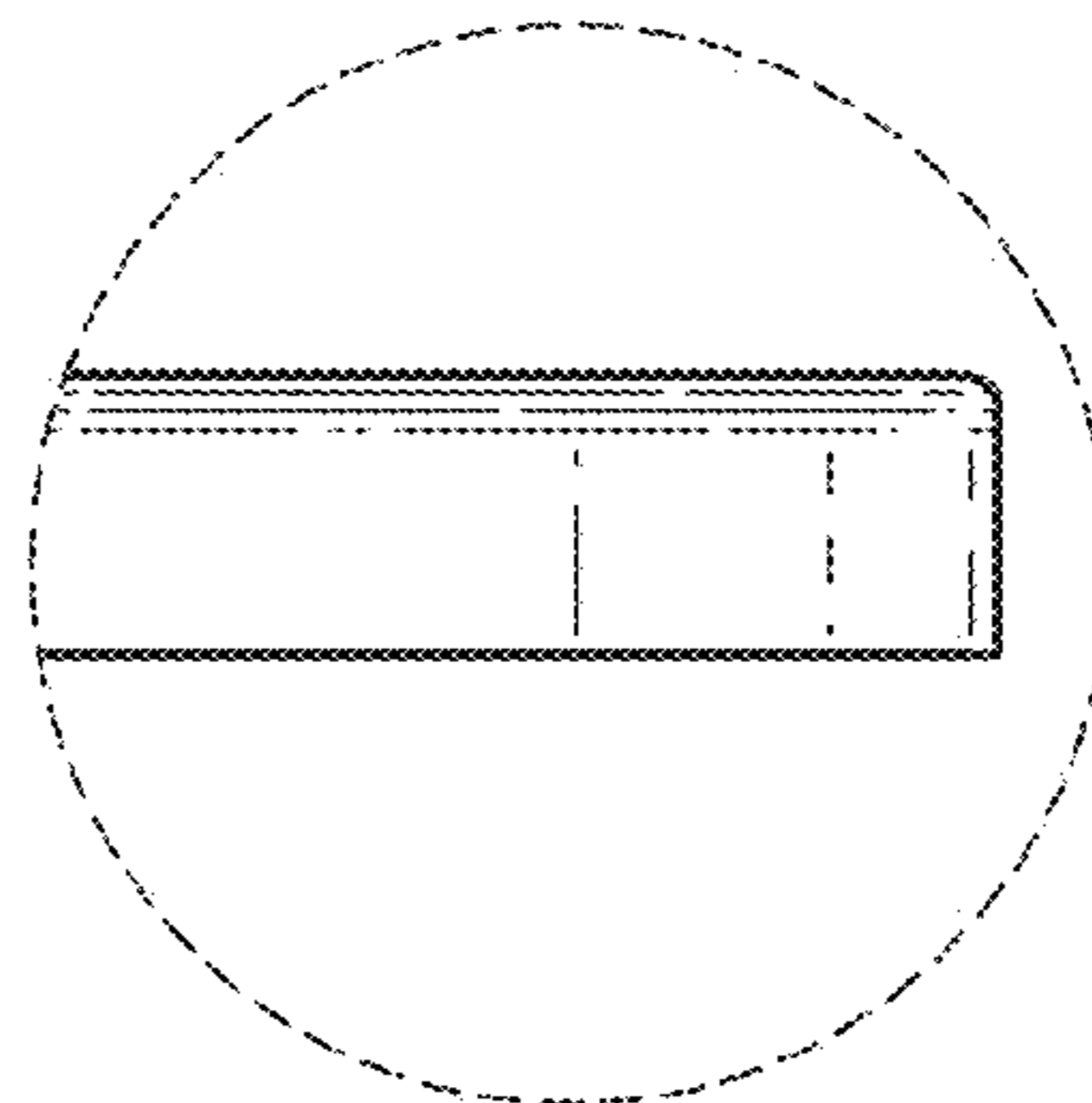


Fig. 14

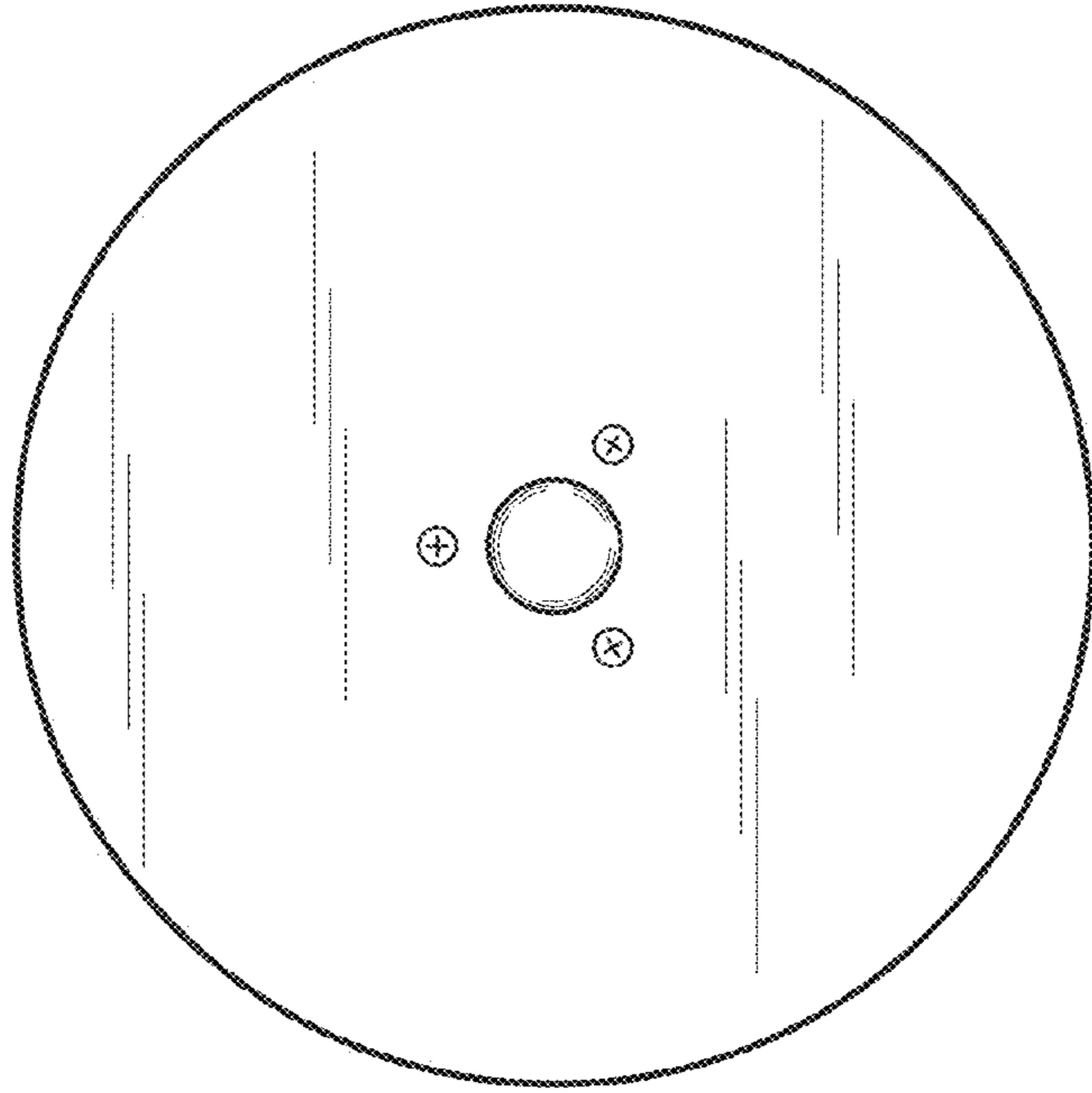


Fig. 7

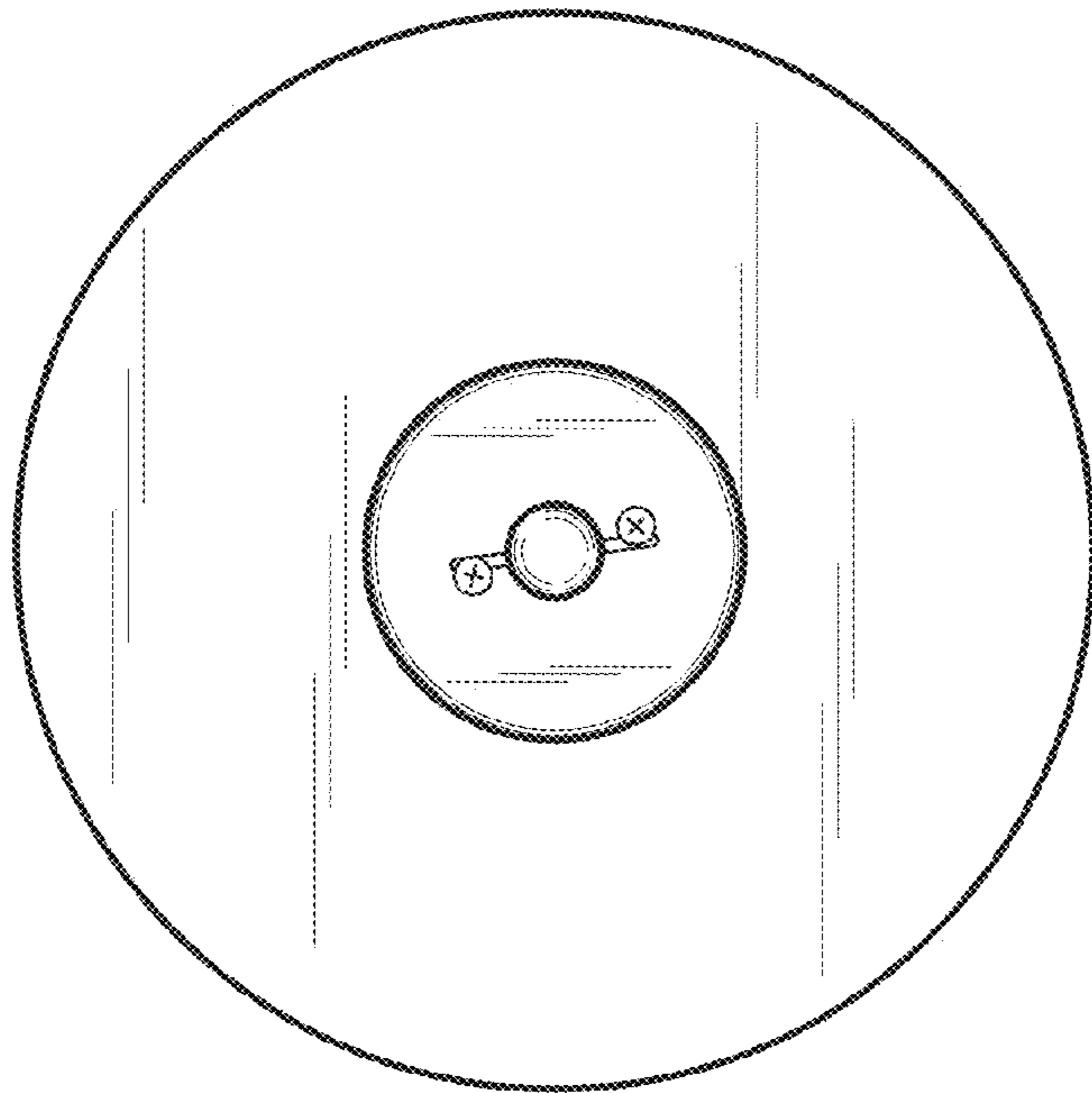


Fig. 8

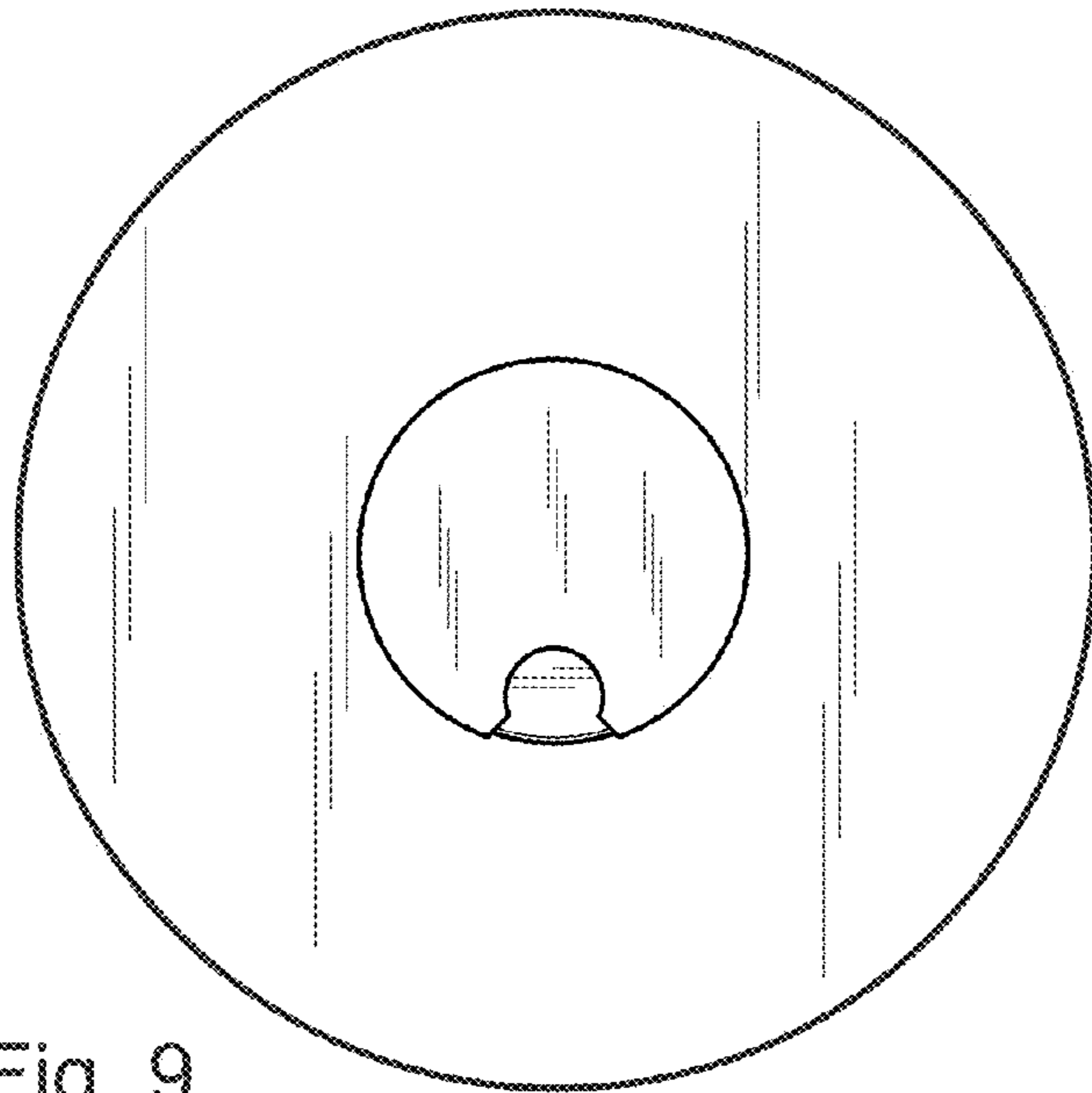


Fig. 9



Fig. 10

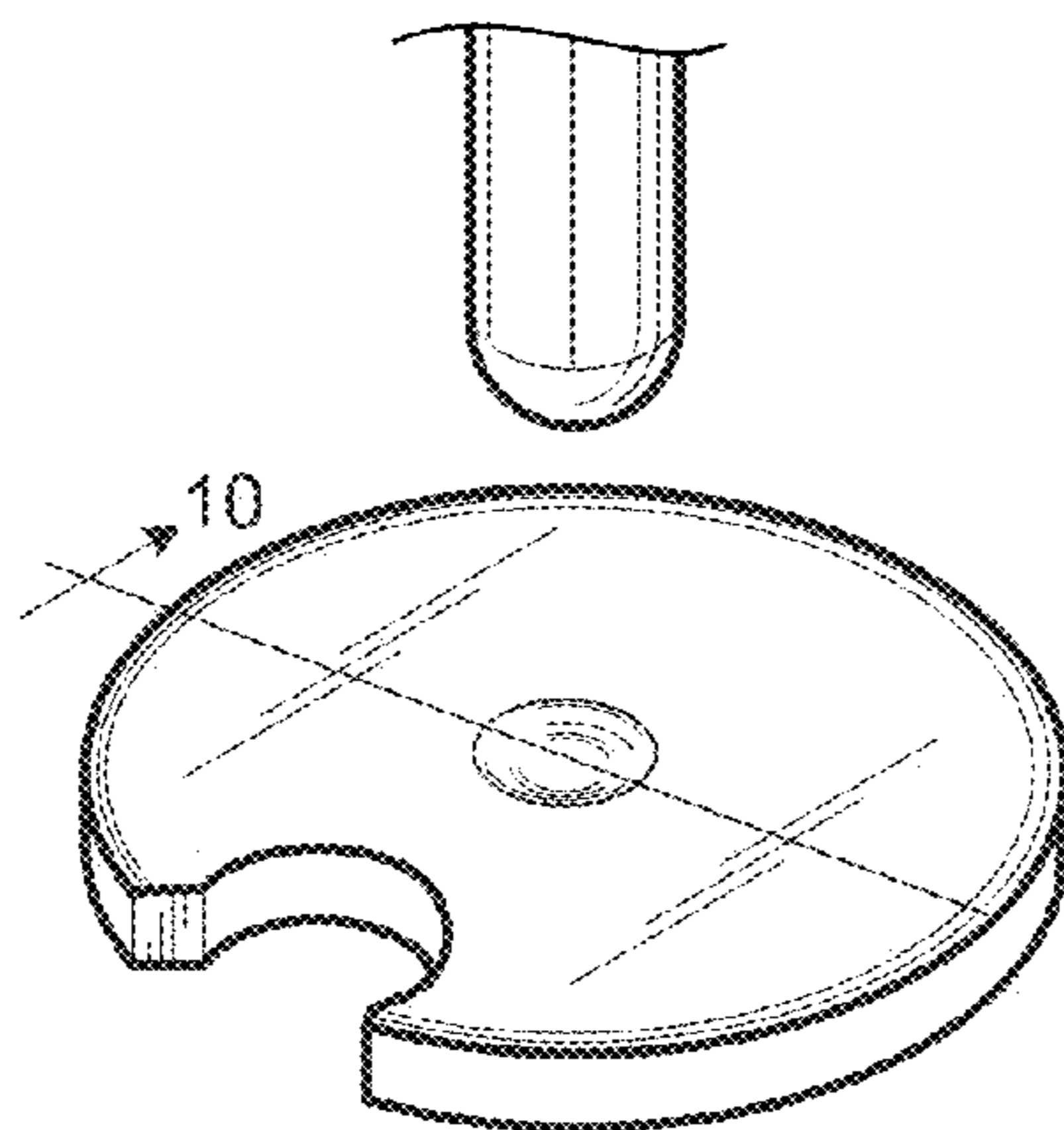


Fig. 11