

US00D737901S

(12) **United States Design Patent**  
**Alvarado et al.**

(10) **Patent No.:** **US D737,901 S**  
(45) **Date of Patent:** **\*\* Sep. 1, 2015**

(54) **VENDING MACHINE PANEL**

G07F 11/62; G07F 11/165; G07F 13/00;  
G07F 13/10; G07F 17/42

(71) Applicant: **Intercontinental Great Brands LLC**,  
East Hanover, NJ (US)

See application file for complete search history.

(72) Inventors: **Eddin Alvarado**, Wyckoff, NJ (US);  
**Frank Guzzone**, Libertyville, IL (US);  
**Michael H. Haskins**, Waunakee, WI  
(US); **Edward J. Kaczmarek, III**,  
Chicago, IL (US); **Mark Kwiatek**, New  
York, NY (US); **Manus Mulherin**,  
Stroudsburg, PA (US); **Thomas Michael**  
**O’Keefe**, Grayslake, IL (US); **Jonathan**  
**Ashbridge**, Leicester (GB); **Craig**  
**Jones**, Leicester (GB); **Timothy**  
**Whateley**, Leicester (GB)

(56) **References Cited**

U.S. PATENT DOCUMENTS

5,768,142 A	6/1998	Jacobs
D441,023 S	4/2001	Vaajakallio
6,397,126 B1	5/2002	Nelson
D503,743 S	4/2005	Huffer
D520,064 S	5/2006	Worthington
D530,750 S	10/2006	Aurelia

(Continued)

FOREIGN PATENT DOCUMENTS

WO 2008022228 2/2008

*Primary Examiner* — Mary Ann Calabrese

(74) *Attorney, Agent, or Firm* — Fitch, Even, Tabin &  
Flannery LLP

(73) Assignee: **Intercontinental Great Brands LLC**,  
East Hanover, NJ (US)

(\*\*) Term: **14 Years**

(57) **CLAIM**

(21) Appl. No.: **29/522,301**

We claim the ornamental design for a vending machine panel,  
as shown and described.

(22) Filed: **Mar. 30, 2015**

**DESCRIPTION**

**Related U.S. Application Data**

(62) Division of application No. 29/473,019, filed on Nov.  
18, 2013, now Pat. No. Des. 727,425, which is a  
division of application No. 29/427,259, filed on Jul.  
16, 2012, now Pat. No. Des. 695,833.

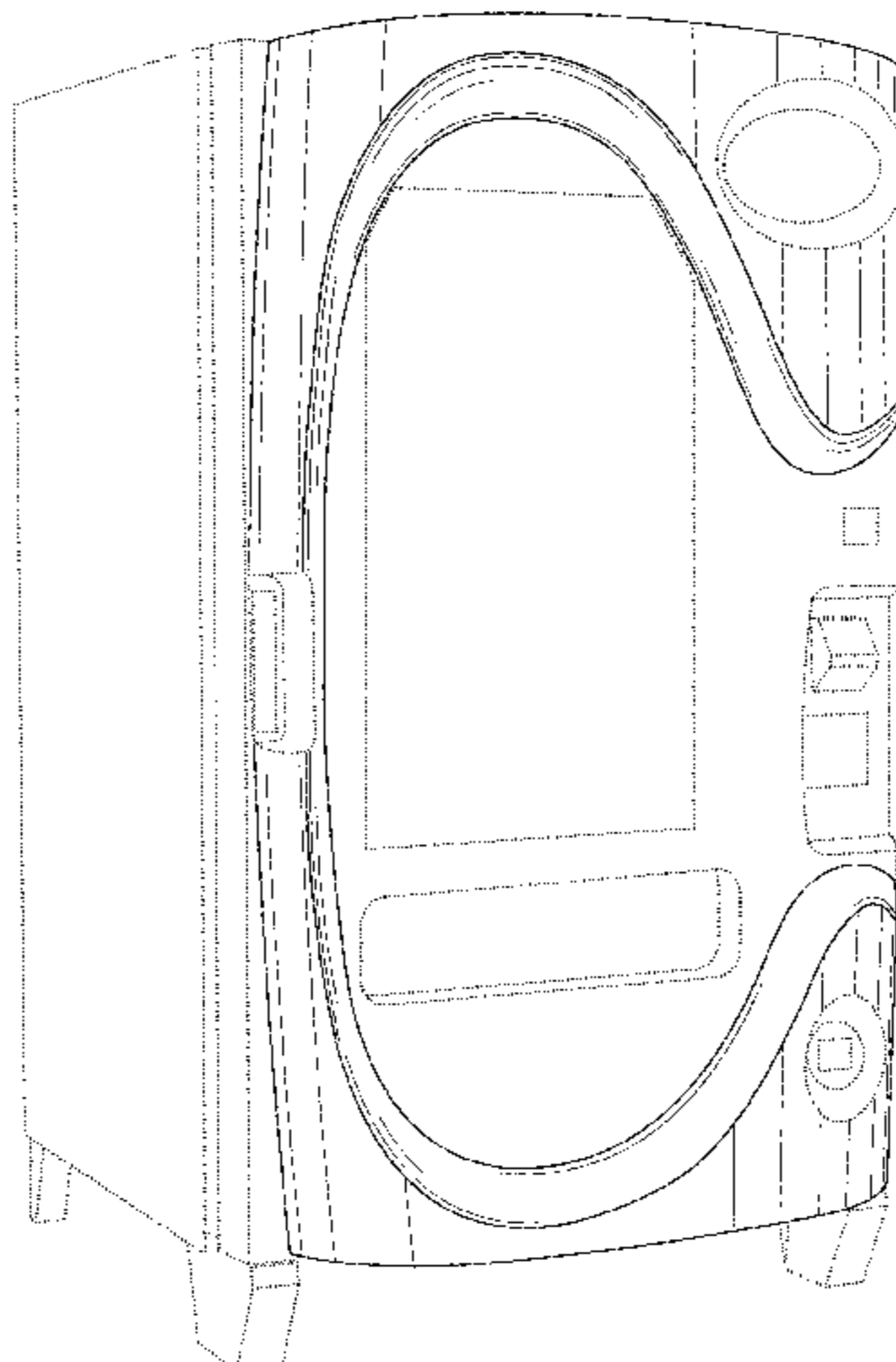
(51) **LOC (10) Cl.** ..... **20-01**

(52) **U.S. Cl.**  
USPC ..... **D20/8**

(58) **Field of Classification Search**  
USPC ..... D20/1–9; D99/28; D6/515;  
D7/305–312; D15/89  
CPC ..... G07F 9/00; G07F 9/02; G07F 9/026;  
G07F 9/06; G07F 11/00; G07F 11/007;  
G07F 11/02; G07F 11/06; G07F 11/10;  
G07F 11/24; G07F 11/21; G07F 11/38;

FIG. 1 is a front perspective view of a vending machine panel,  
in accordance with our new design;  
FIG. 2 is a front elevation view of the vending machine panel  
of FIG. 1;  
FIG. 3 is a top plan view of the vending machine panel of FIG.  
1;  
FIG. 4 is a bottom plan view of the vending machine panel of  
FIG. 1;  
FIG. 5 is an enlarged left side elevation view of the vending  
machine panel of FIG. 1; and,  
FIG. 6 is an enlarged right side elevation view of the vending  
machine panel of FIG. 1.  
The broken lines depict unclaimed environmental subject  
matter and form no part of the claimed design.

**1 Claim, 3 Drawing Sheets**



(56)

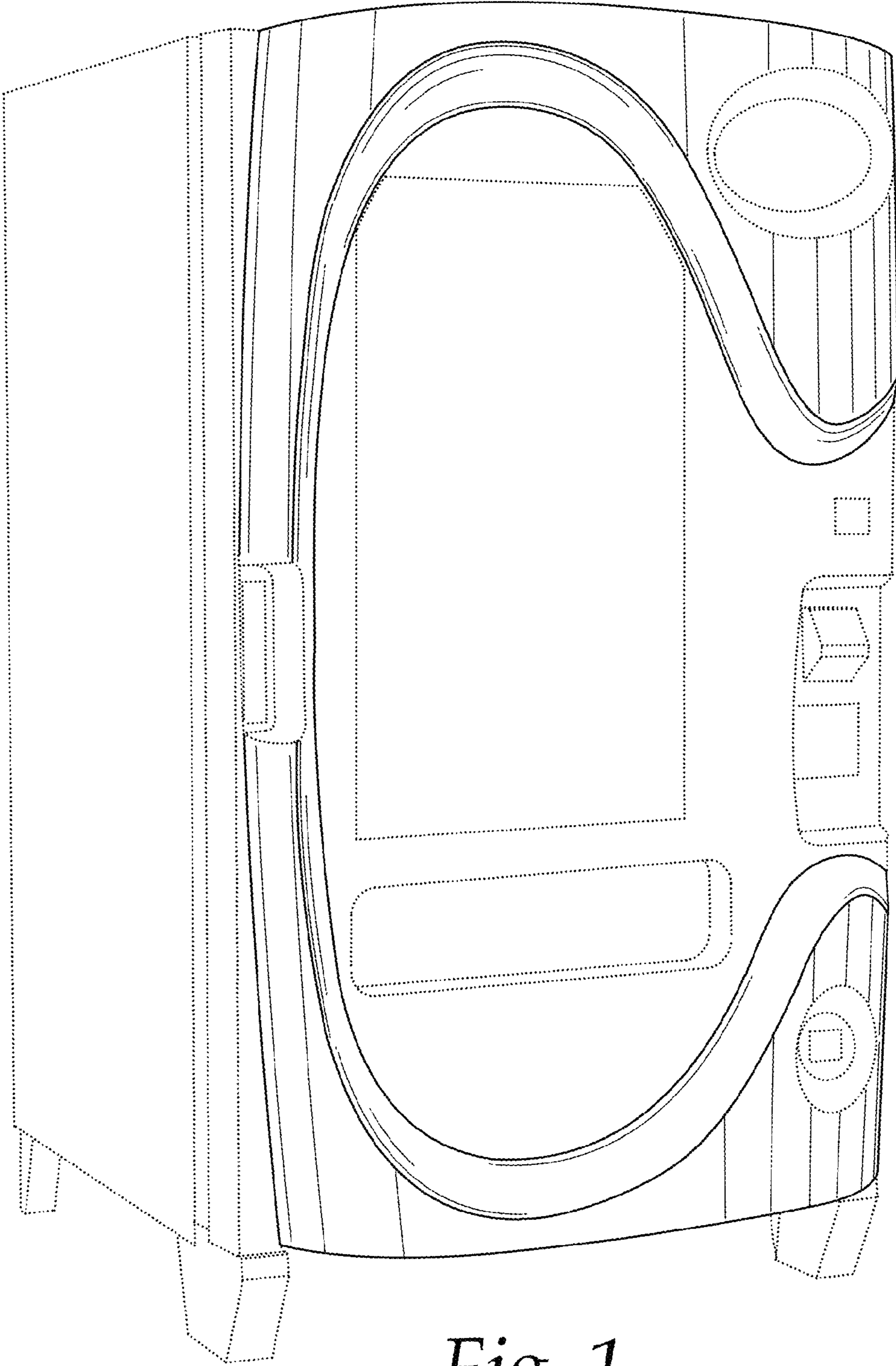
**References Cited**

U.S. PATENT DOCUMENTS

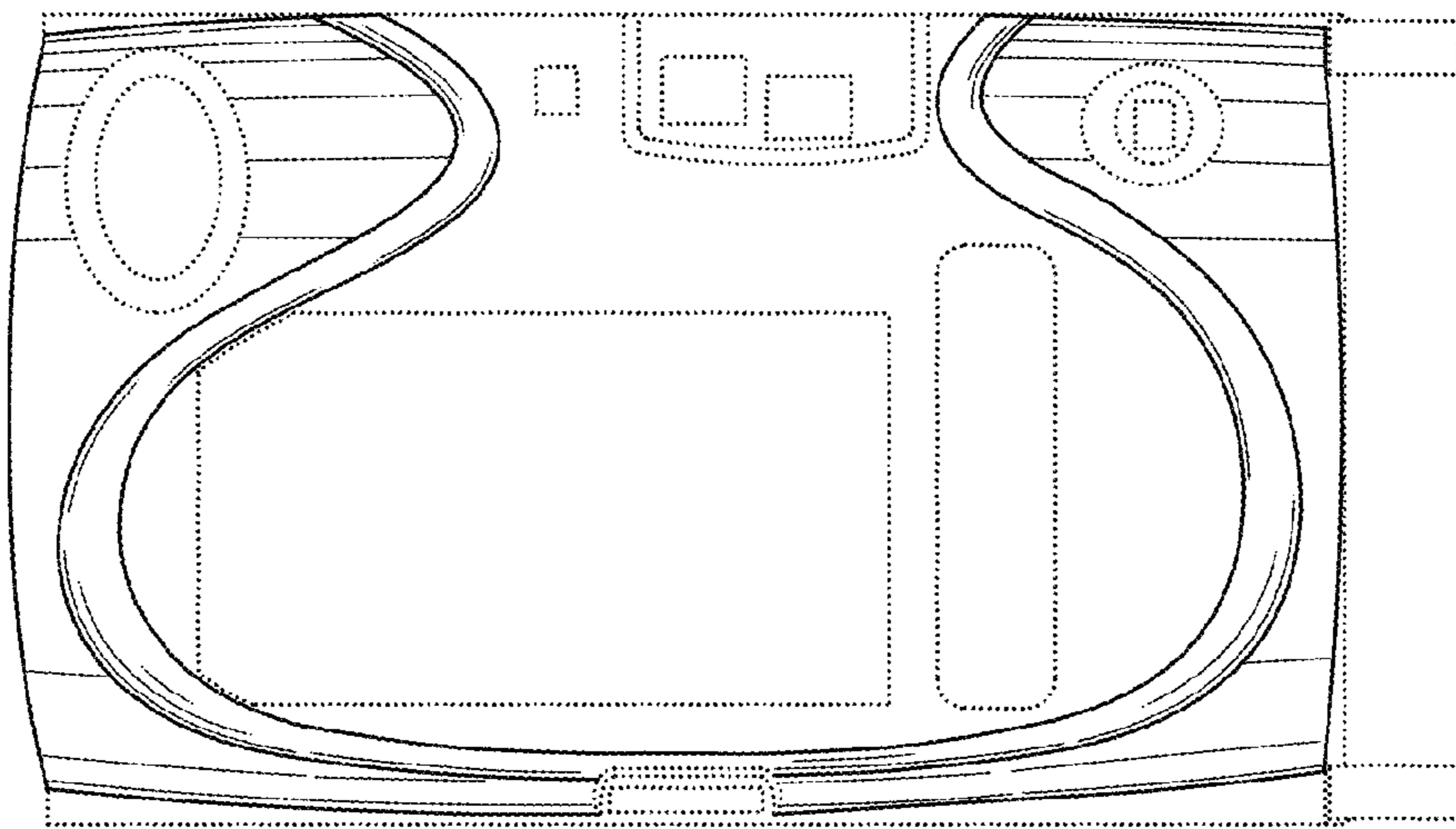
7,152,757 B2 12/2006 Huffer  
D540,876 S 4/2007 Roekens  
D541,870 S 5/2007 Tandberg  
D563,142 S 3/2008 Kauer  
D587,509 S 3/2009 Kennedy  
7,515,989 B2 4/2009 Yoshizaki  
D597,605 S 8/2009 Davis  
D606,118 S 12/2009 Voron  
D626,776 S 11/2010 Voron  
D627,187 S 11/2010 Voron  
7,881,822 B2 2/2011 Thornton

D644,472 S 9/2011 Ponzio  
8,095,236 B2 1/2012 Rudy  
D674,443 S 1/2013 Voron  
8,369,987 B2 2/2013 Claessen  
D695,833 S 12/2013 Alvarado  
D696,726 S 12/2013 Alvarado  
D727,425 S \* 4/2015 Alvarado et al. .... D20/8  
D727,427 S \* 4/2015 Alvarado et al. .... D20/8  
2003/0019236 A1 1/2003 Heims  
2011/0173535 A1 7/2011 Royal  
2011/0301749 A1\* 12/2011 Hammonds et al. .... 700/232  
2012/0029690 A1 2/2012 Bruck  
2012/0330461 A1 12/2012 Doom

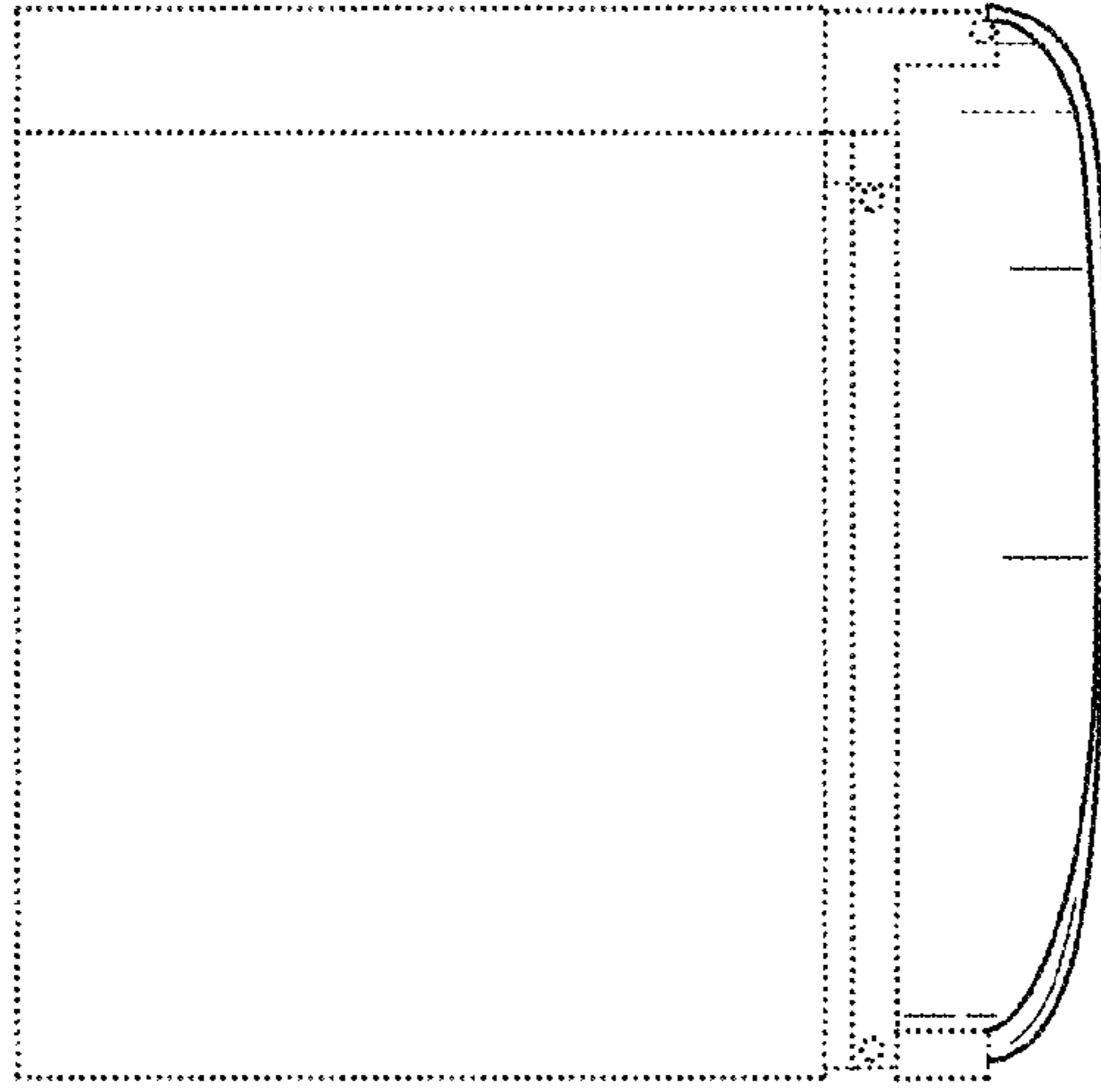
\* cited by examiner



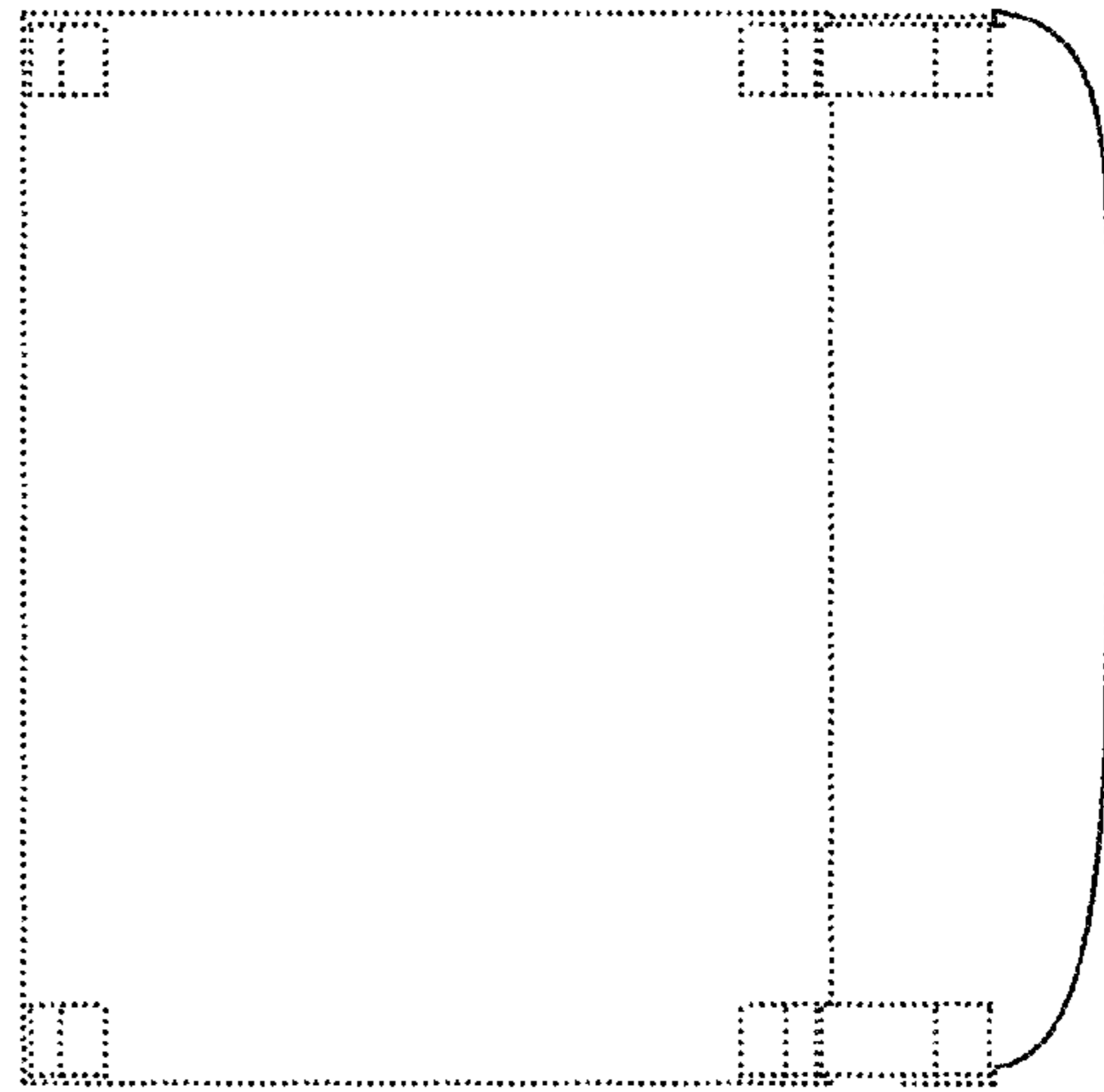
*Fig. 1*



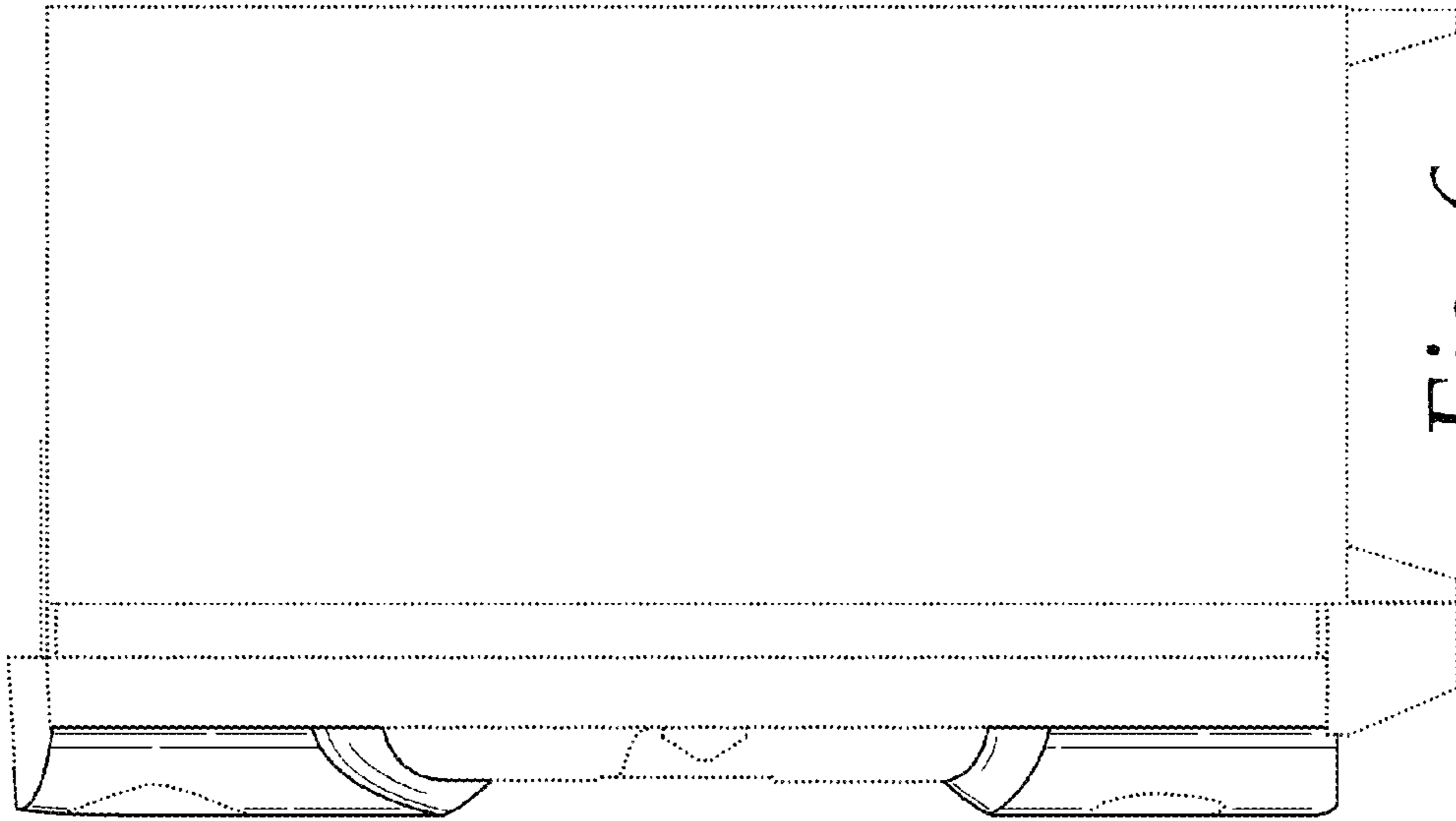
*Fig. 2*



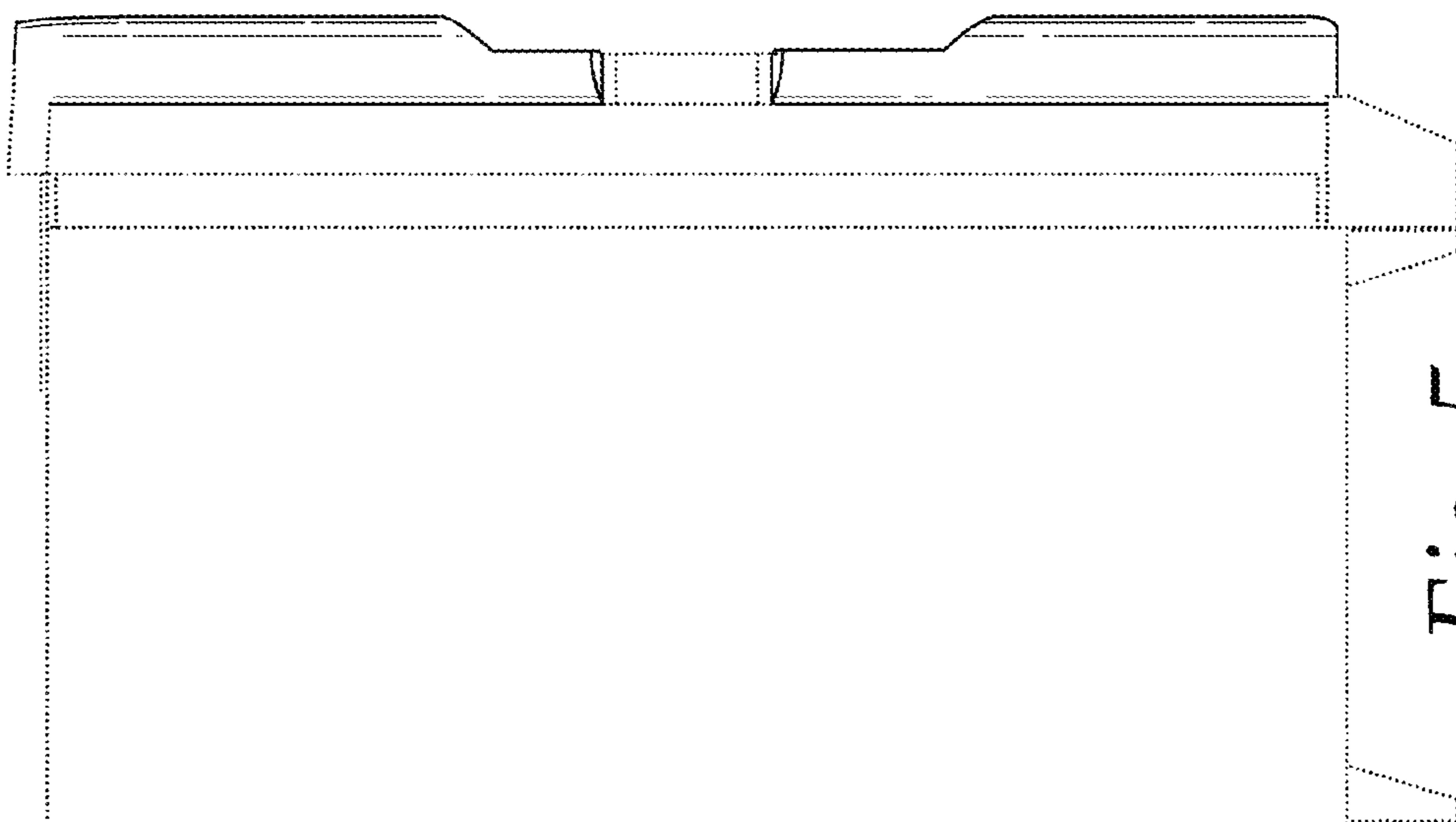
*Fig. 3*



*Fig. 4*



*Fig. 6*



*Fig. 5*