



US00D737900S

(12) **United States Design Patent**
Sternberg

(10) **Patent No.:** **US D737,900 S**

(45) **Date of Patent:** **** Sep. 1, 2015**

(54) **REEL**
(71) Applicant: **Start Manufacturing, Inc.**, Dallas, TX
(US)

4,754,537 A * 7/1988 Lee 29/895.212
D298,839 S * 12/1988 Soderberg et al. D19/69
4,986,524 A 1/1991 Meintzer, Jr. et al.

(Continued)

(72) Inventor: **Todd Sternberg**, Dallas, TX (US)
(73) Assignee: **Start Manufacturing, Inc.**, Dallas, TX
(US)

FOREIGN PATENT DOCUMENTS

DE 202005017265 U1 1/2006
JP 09314947 A 12/1997

(Continued)

(**) Term: **14 Years**

OTHER PUBLICATIONS

(21) Appl. No.: **29/490,422**

Written Opinion issued Apr. 26, 2013 in PCT application No. PCT/
US2013/020274; 8 pages.

(Continued)

(22) Filed: **May 9, 2014**

(51) **LOC (10) Cl.** **19-02**

(52) **U.S. Cl.**
USPC **D19/69**

(58) **Field of Classification Search**
USPC D19/70, 69, 36, 68; 242/588.6, 588.2;
225/77, 6, 56, 39, 26, 25, 19, 11;
206/411; 156/577, 527, 523; D8/354,
D8/382, 385, 499
CPC B65H 35/0026; B65H 35/0073; B65H
35/0033; B65H 35/007; B26F 3/02
See application file for complete search history.

Primary Examiner — Austin Murphy
(74) *Attorney, Agent, or Firm* — Gardere Wynne Sewell LLP

(57) **CLAIM**
The ornamental design for a reel, as shown and described.

DESCRIPTION

FIG. 1 is a first perspective view of a reel;
FIG. 2 is front end view of the reel shown in FIG. 1, the rear
end view being a mirror image thereof;
FIG. 3 is a top plan view of the reel shown in FIG. 1, the
bottom view being a mirror image thereof; and,
FIG. 4 is a right side view of the reel of FIG. 1, the left side
view being a mirror image thereof.

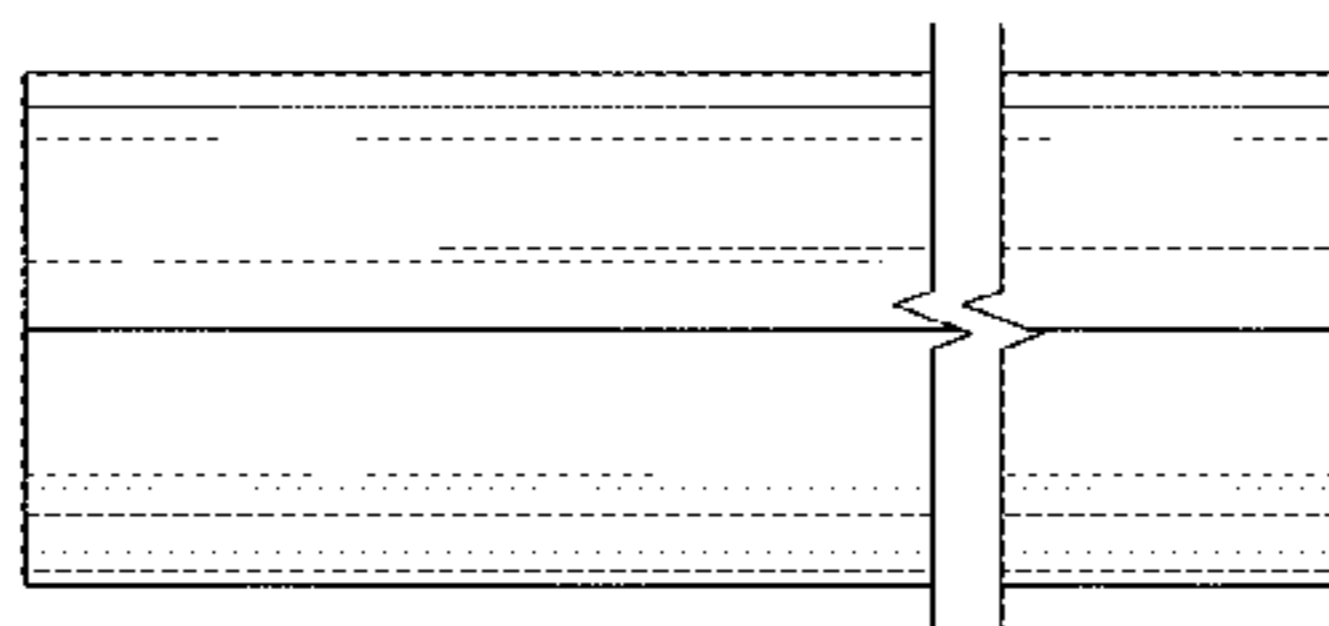
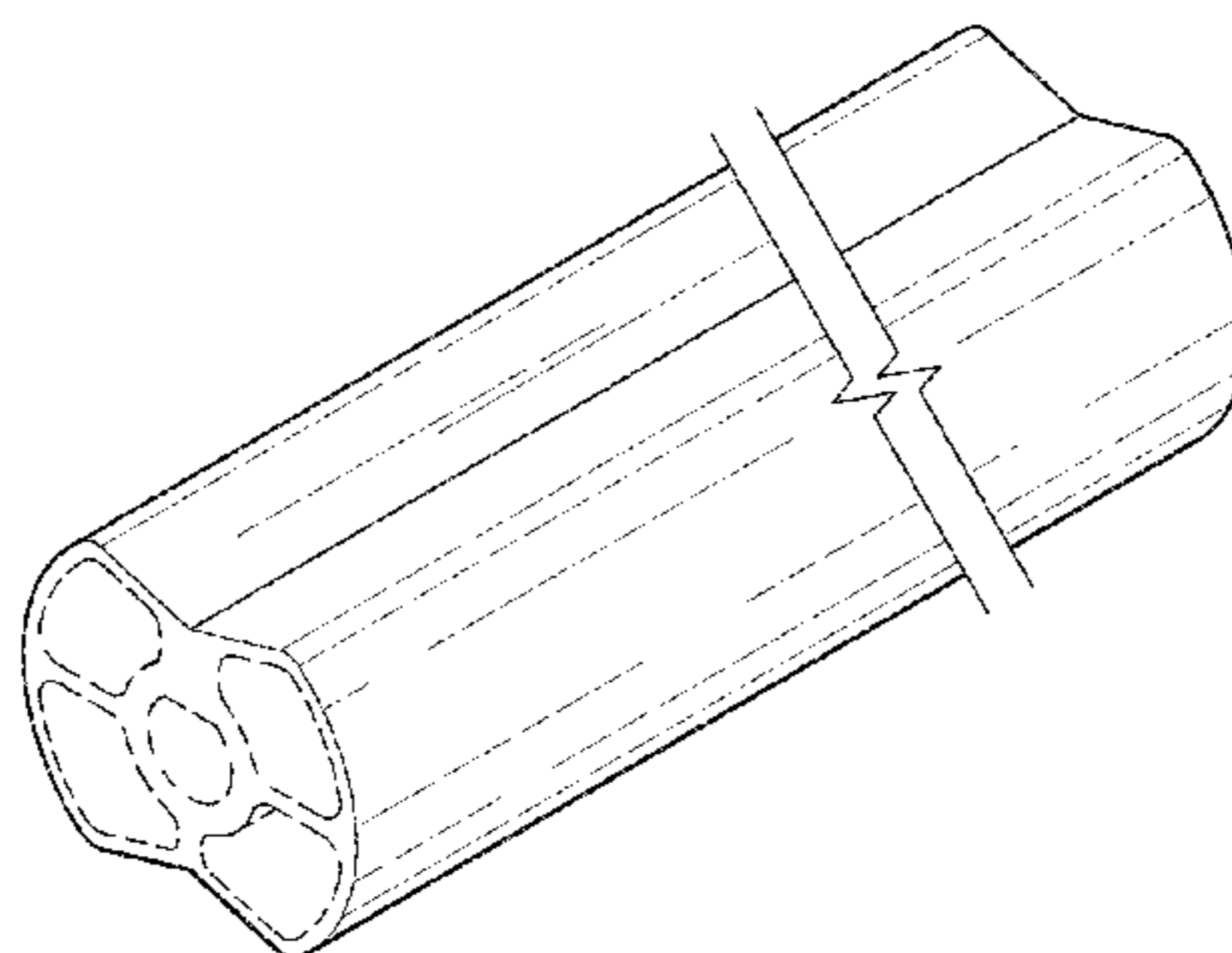
The article is shown with portions cut away to indicate no
specific length/height/width. The examiner finds the claim
definite under 35 U.S.C. 112, second paragraph with the
understanding that the portion(s) of the article not shown
form no part of the claimed design. Patentability is based only
on those portions of the article shown in solid lines.
The broken lines in FIGS. 1 and 4 form no part of the claimed
design.

(56) **References Cited**

U.S. PATENT DOCUMENTS

1,987,990 A * 1/1935 Clinton 242/118.61
2,622,825 A * 12/1952 Faris 242/118.61
D217,052 S 3/1970 Jones
D230,264 S 2/1974 Howard
4,128,215 A * 12/1978 Underwood 242/608.6
D264,429 S * 5/1982 Foscarini et al. D8/385
4,389,934 A 6/1983 Holland-Letz
4,497,420 A 2/1985 Stelcher et al.
4,513,173 A * 4/1985 Merry 174/121 A
4,543,095 A 9/1985 Jensen
D291,434 S * 8/1987 Fujimoto D14/484

1 Claim, 1 Drawing Sheet



(56)

References Cited

U.S. PATENT DOCUMENTS

5,056,945 A 10/1991 Klodt
 5,103,528 A * 4/1992 Olson et al. 16/2.2
 D336,493 S 6/1993 Brussing
 D340,942 S 11/1993 Smith
 5,279,469 A 1/1994 Foit
 5,445,703 A 8/1995 Steeves et al.
 5,564,646 A * 10/1996 Clarelli 242/578.2
 5,660,354 A * 8/1997 Ripplinger 242/608
 5,674,350 A 10/1997 Jurgich
 5,851,348 A 12/1998 Muenzer et al.
 5,947,159 A * 9/1999 Takahashi 138/156
 6,073,869 A * 6/2000 Schulz 242/118.7
 6,390,711 B1 5/2002 Brunetti
 D458,285 S * 6/2002 Votruba et al. D15/143
 6,588,697 B2 * 7/2003 Kitayama 242/608.6
 D498,131 S * 11/2004 Peacock et al. D8/331
 D504,312 S * 4/2005 Peacock D8/382
 D523,141 S * 6/2006 Massey D24/121
 D525,008 S * 7/2006 Hubbard D34/27
 D546,665 S * 7/2007 Medlin D8/382
 7,318,877 B2 1/2008 Harte

7,717,149 B2 5/2010 Johnson
 D617,515 S * 6/2010 Dunn D32/35
 D620,979 S 8/2010 Renner et al.
 7,819,357 B2 * 10/2010 Fox et al. 242/573.9
 7,919,027 B2 4/2011 Nordlinder et al.
 D643,158 S 8/2011 Lipscomb et al.
 D677,730 S * 3/2013 Yu Chen D19/69
 2002/0117263 A1 8/2002 McKenney et al.
 2003/0049093 A1 * 3/2003 Ritter et al. 411/21
 2006/0096999 A1 5/2006 Horng et al.
 2007/0113986 A1 5/2007 Harte

FOREIGN PATENT DOCUMENTS

JP 11-176463 A 7/1999
 JP 2005089035 A 4/2005
 JP 2010023964 A 2/2010

OTHER PUBLICATIONS

International Search Report issued Apr. 26, 2013 in PCT application
 No. PCT/US2013/020274; 6 pages.

* cited by examiner

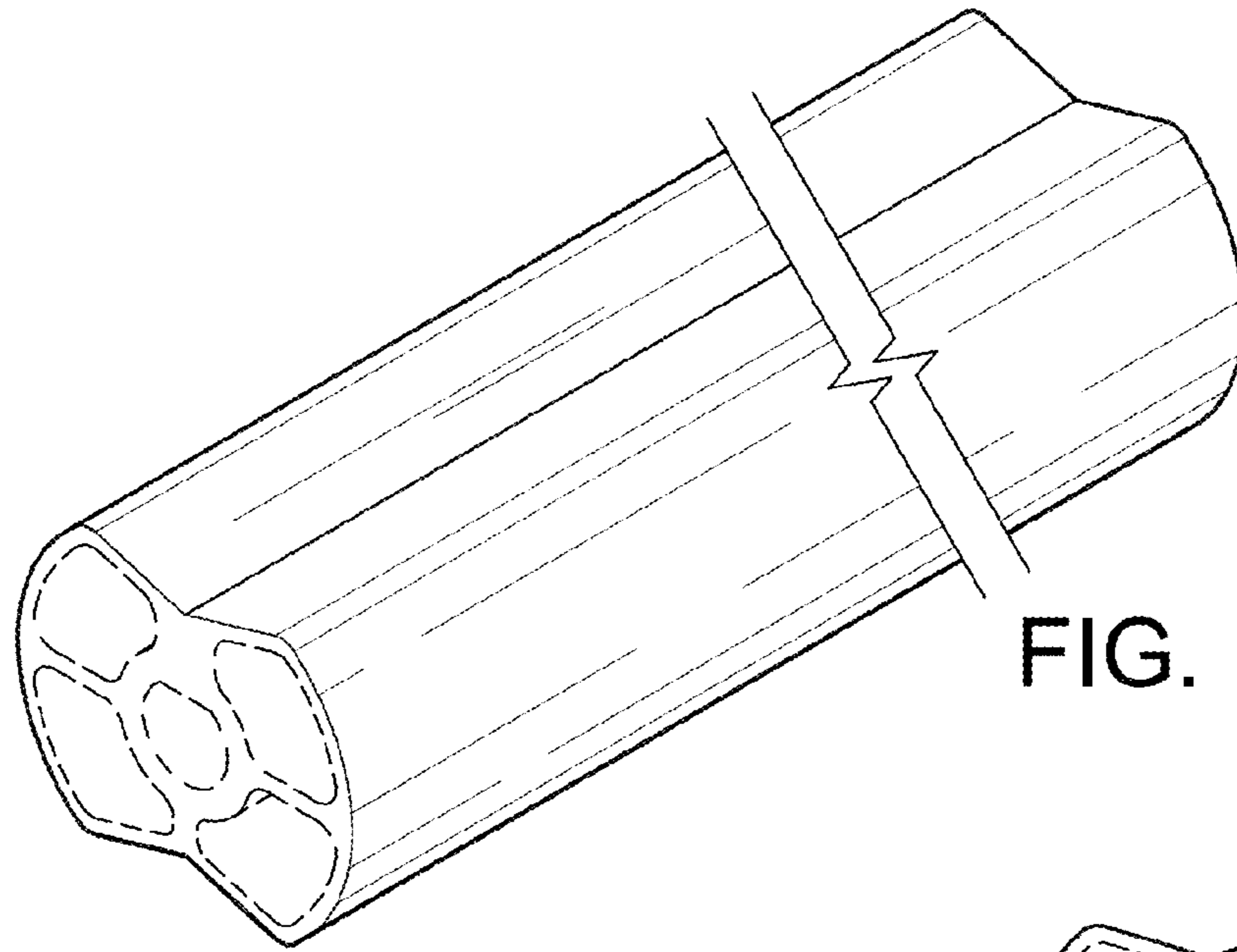


FIG. 1

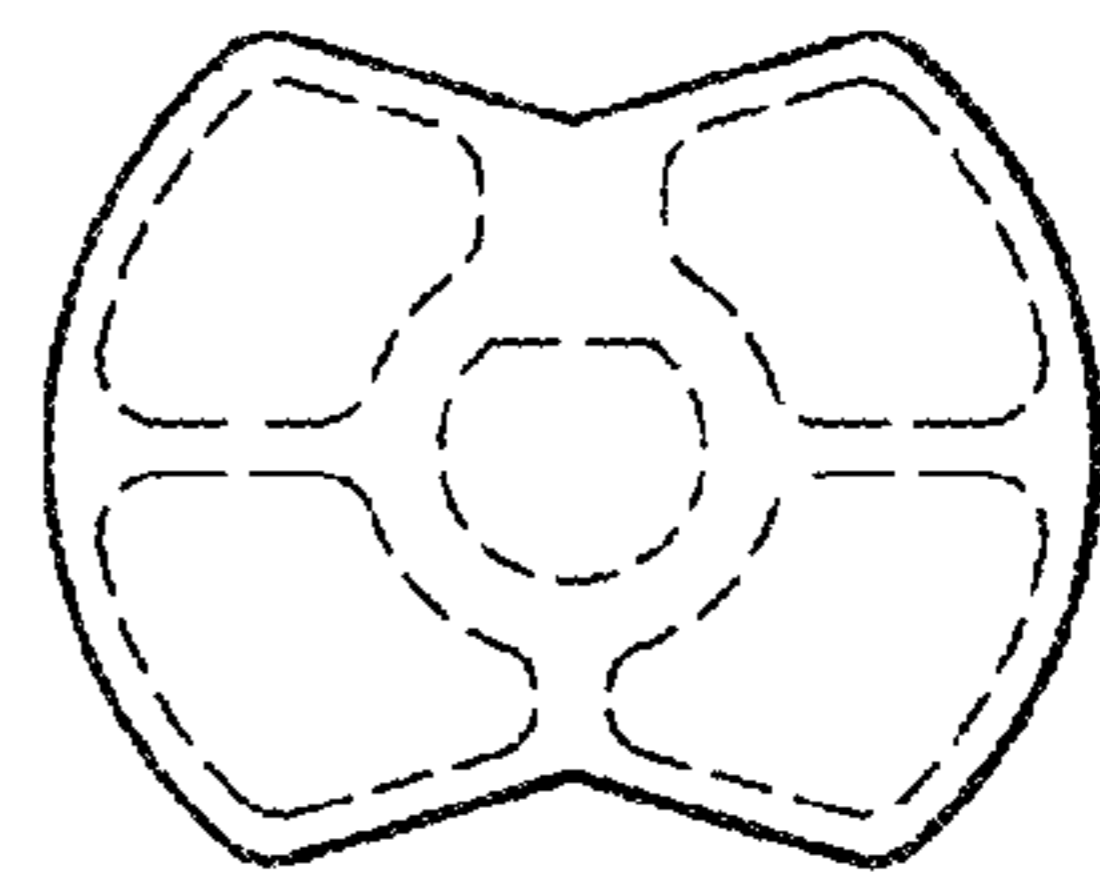


FIG. 2

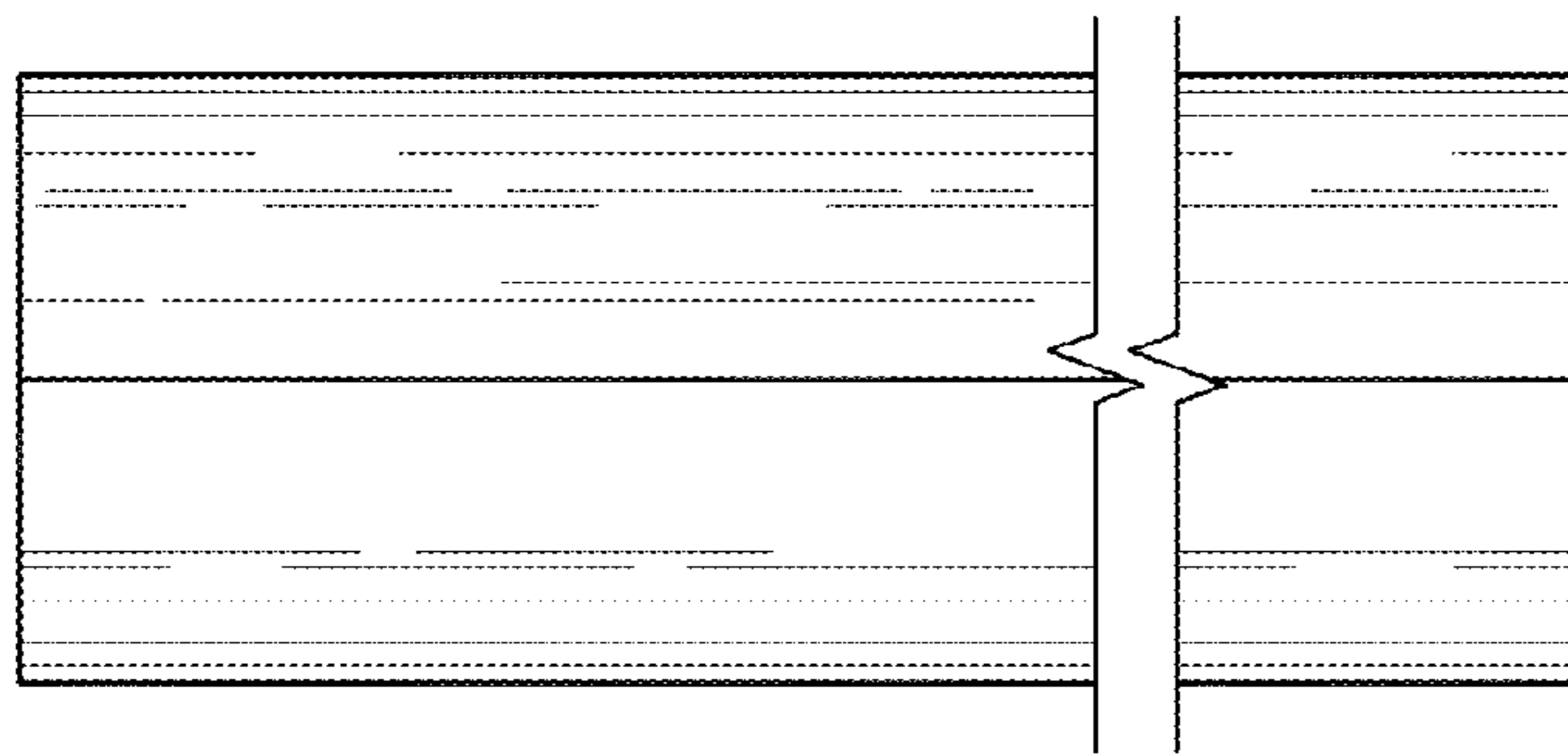


FIG. 3

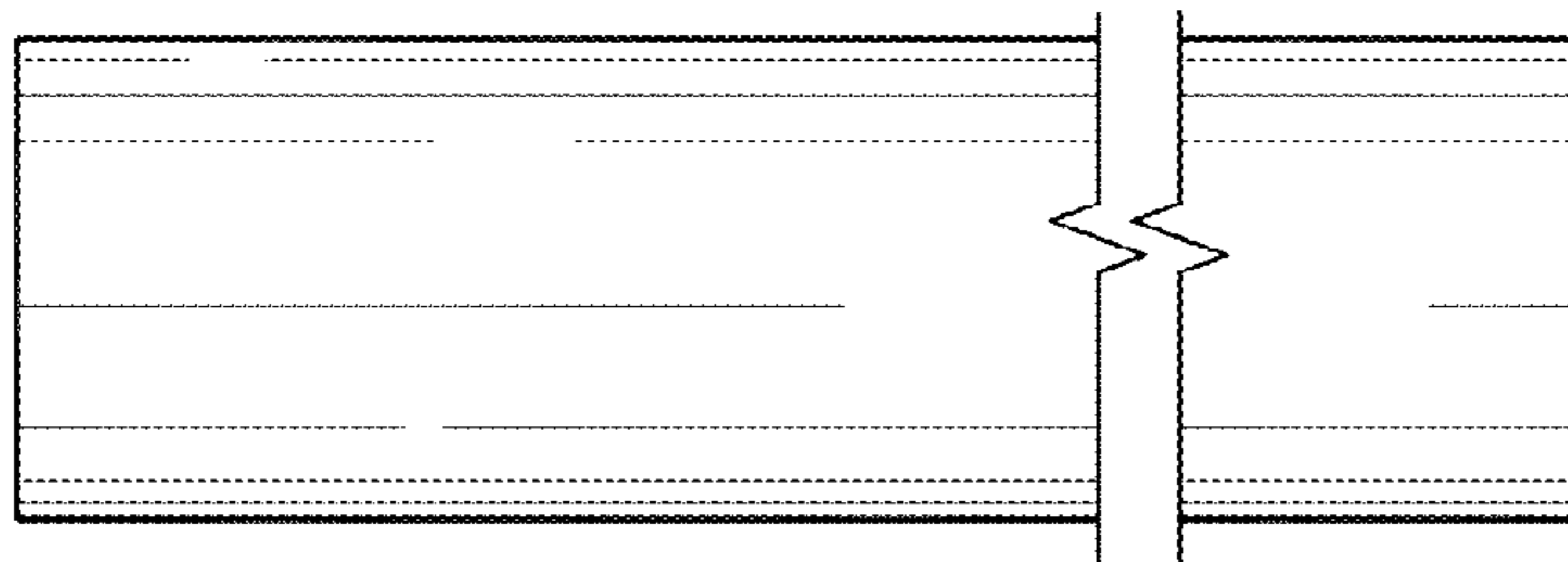


FIG. 4