

US00D737896S

(12) **United States Design Patent**
Ozawa et al.

(10) **Patent No.:** **US D737,896 S**
(45) **Date of Patent:** **** Sep. 1, 2015**

(54) **LABEL PRINTER**

(71) Applicant: **SATO HOLDINGS KABUSHIKI KAISHA**, Tokyo (JP)
(72) Inventors: **Taichi Ozawa**, Tokyo (JP); **Keita Kuramouchi**, Tokyo (JP); **Yasuyuki Kakui**, Tokyo (JP)
(73) Assignee: **SATO HOLDINGS KABUSHIKI KAISHA**, Tokyo (JP)

(**) Term: **14 Years**
(21) Appl. No.: **29/494,814**
(22) Filed: **Jun. 24, 2014**

(30) **Foreign Application Priority Data**

Mar. 27, 2014 (JP) 2014-006550

(51) **LOC (10) Cl.** **18-02**

(52) **U.S. Cl.**
USPC **D18/50; D18/56**

(58) **Field of Classification Search**
USPC D18/14, 19, 50, 53, 54, 54.1, 55, 4.1, D18/4.3-4.5, 56; D14/420-425, 462-470; 400/613, 613.1-613.4, 690.1-690.4, 400/691-694
CPC B41J 1/46; B41J 3/36; B41J 9/26; B41J 15/00; B41J 29/02; B41J 29/13; B41J 35/36; B41J 11/00; B41J 11/20; B41J 29/00; B41J 3/39; B41J 11/26; B65H 35/06; G03G 15/00; G03G 21/16; G06F 3/12; G06K 15/14; H04B 10/00; H05K 5/00

See application file for complete search history.

(56) **References Cited**

U.S. PATENT DOCUMENTS

6,764,237	B2 *	7/2004	Itou	400/693
D534,207	S *	12/2006	Hwang et al.	D18/50
D534,208	S *	12/2006	Hwang et al.	D18/50
D544,908	S *	6/2007	Gant et al.	D18/56
7,285,042	B2 *	10/2007	Kato	400/691
D579,486	S *	10/2008	Gant et al.	D18/56
D643,875	S *	8/2011	Suzuki et al.	D18/55
D726,253	S *	4/2015	Kim et al.	D18/56

* cited by examiner

Primary Examiner — Cathy Anne MacCormac

(74) *Attorney, Agent, or Firm* — Andrew F. Young, Esq.; Lackenbach Siegel, LLP

(57) **CLAIM**

The ornamental design for a label printer, as shown and described.

DESCRIPTION

The patent or application file contains at least one drawing executed in color. Copies of this patent or patent application publication with color drawing(s) will be provided by the Office upon request and payment of the necessary fee.

FIG. 1 is a front perspective view of the present invention.

FIG. 2 is a front elevation view of FIG. 1.

FIG. 3 is a rear elevation view of FIG. 1.

FIG. 4 is a top plan view of FIG. 1.

FIG. 5 is a bottom plan view of FIG. 1.

FIG. 6 is a right side elevation view of FIG. 1; and,

FIG. 7 is a left side elevation view of FIG. 1.

The broken lines depict environmental subject matter for illustrative purposes only and form no part of the claimed design.

1 Claim, 7 Drawing Sheets
(2 of 7 Drawing Sheet(s) Filed in Color)

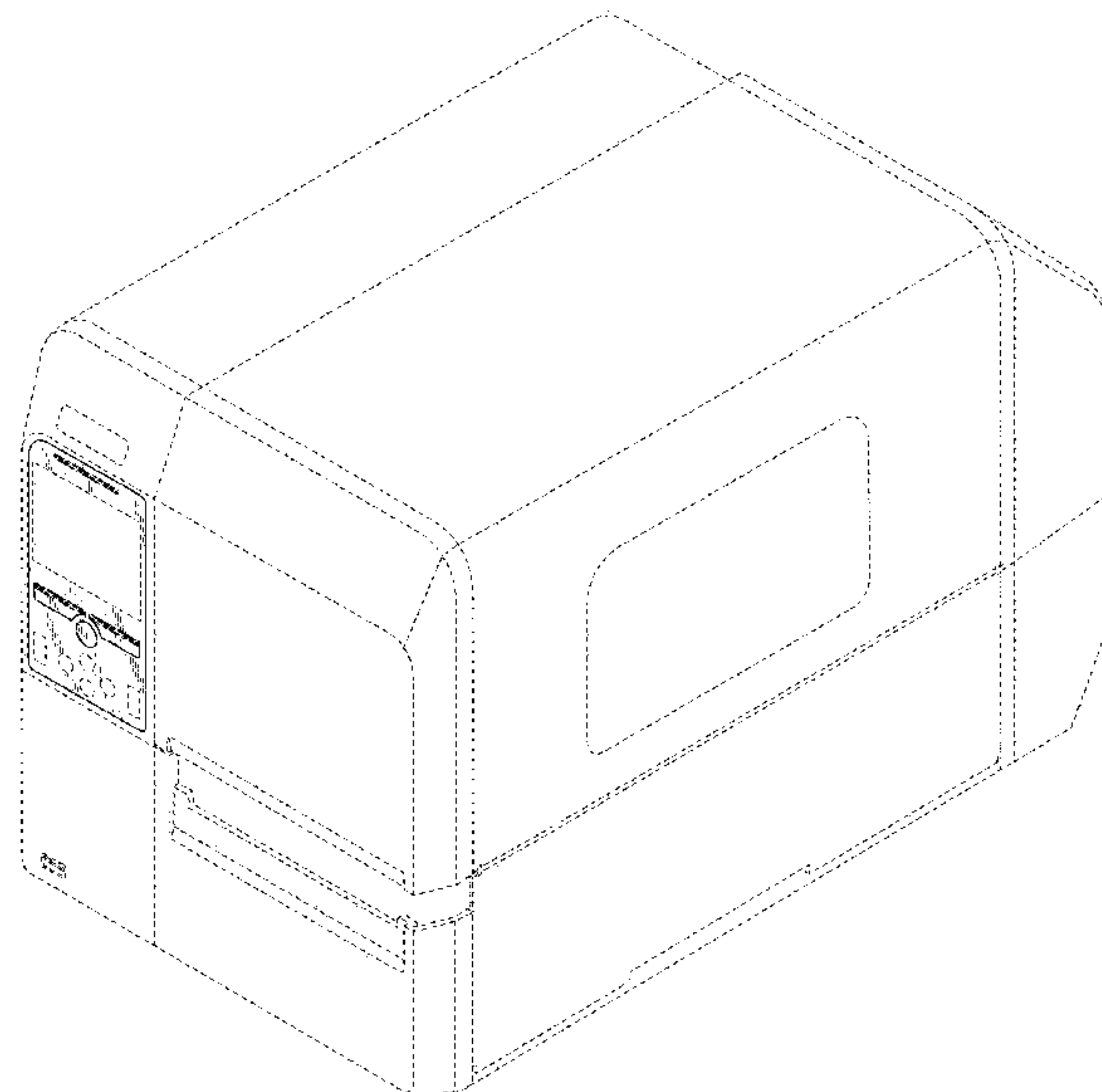


FIG. 1

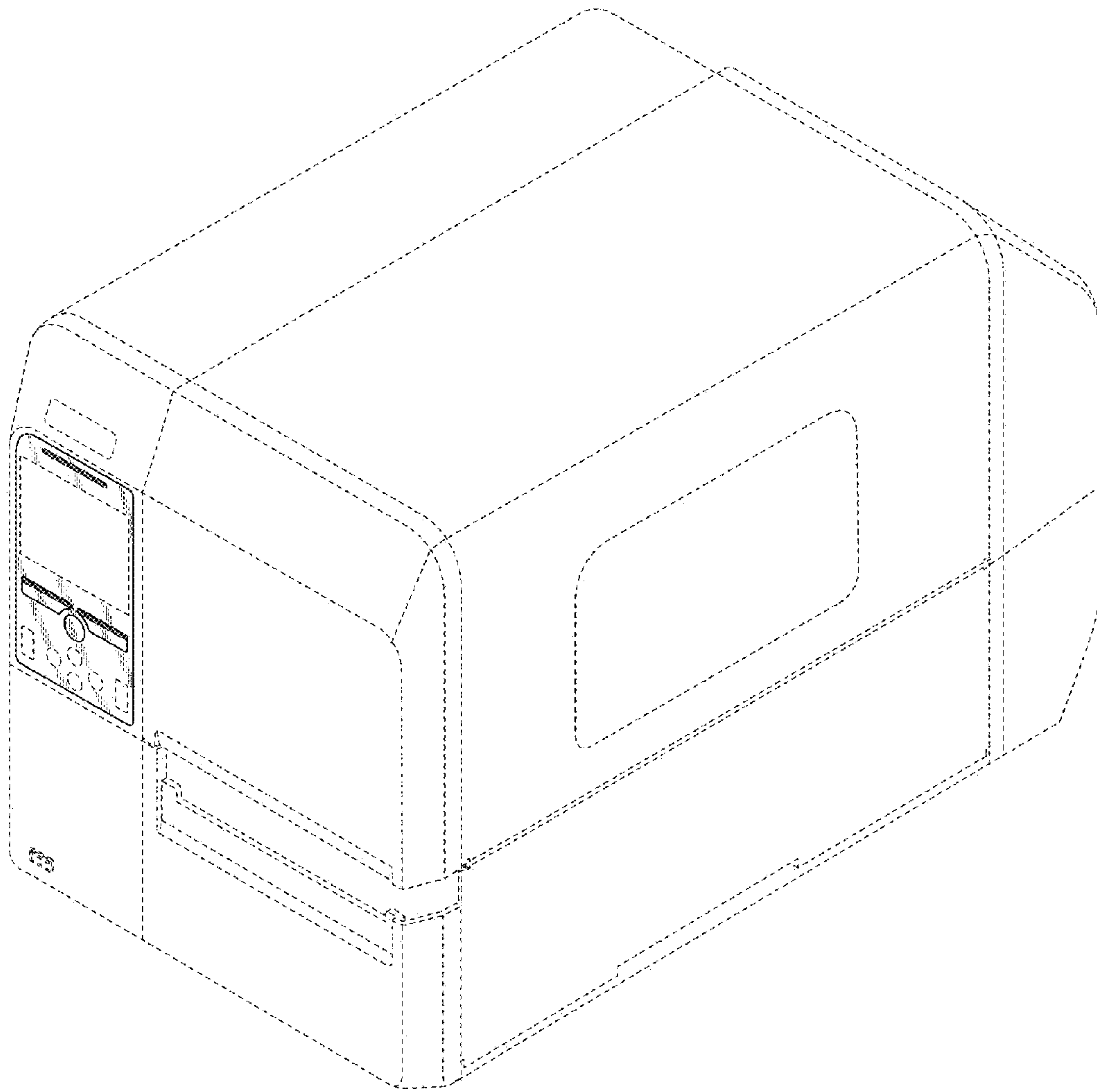


FIG. 2

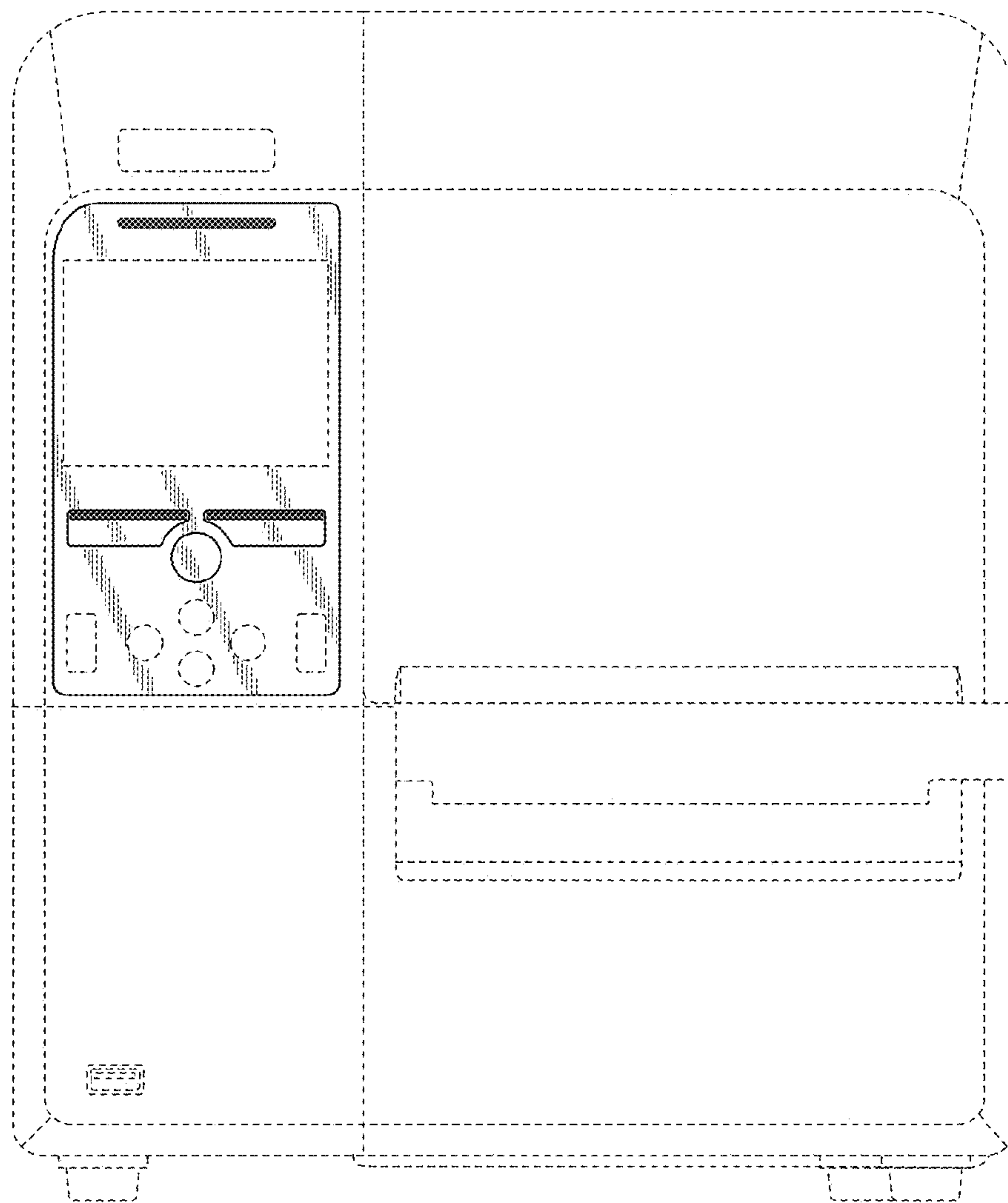


FIG. 3

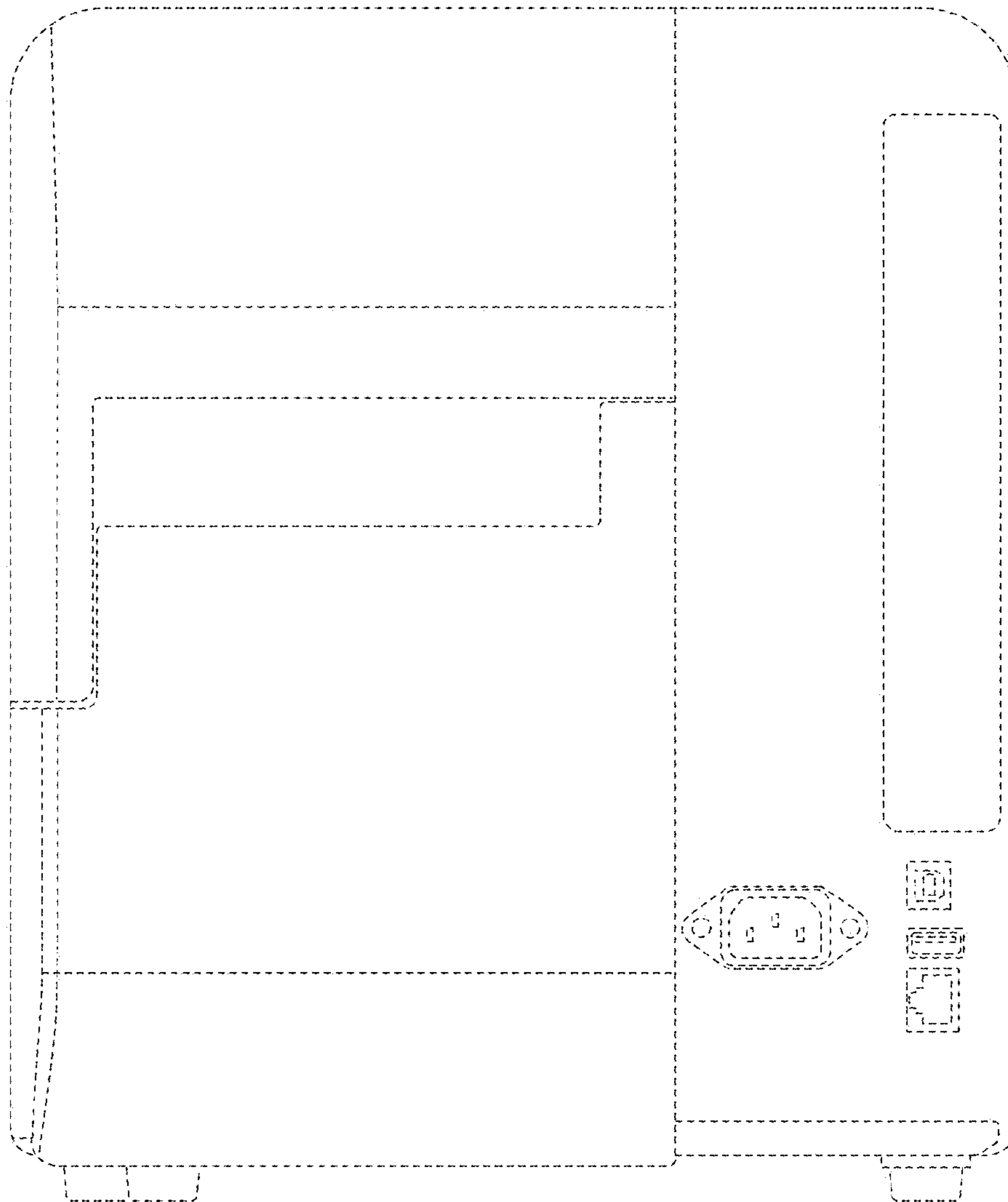


FIG. 4

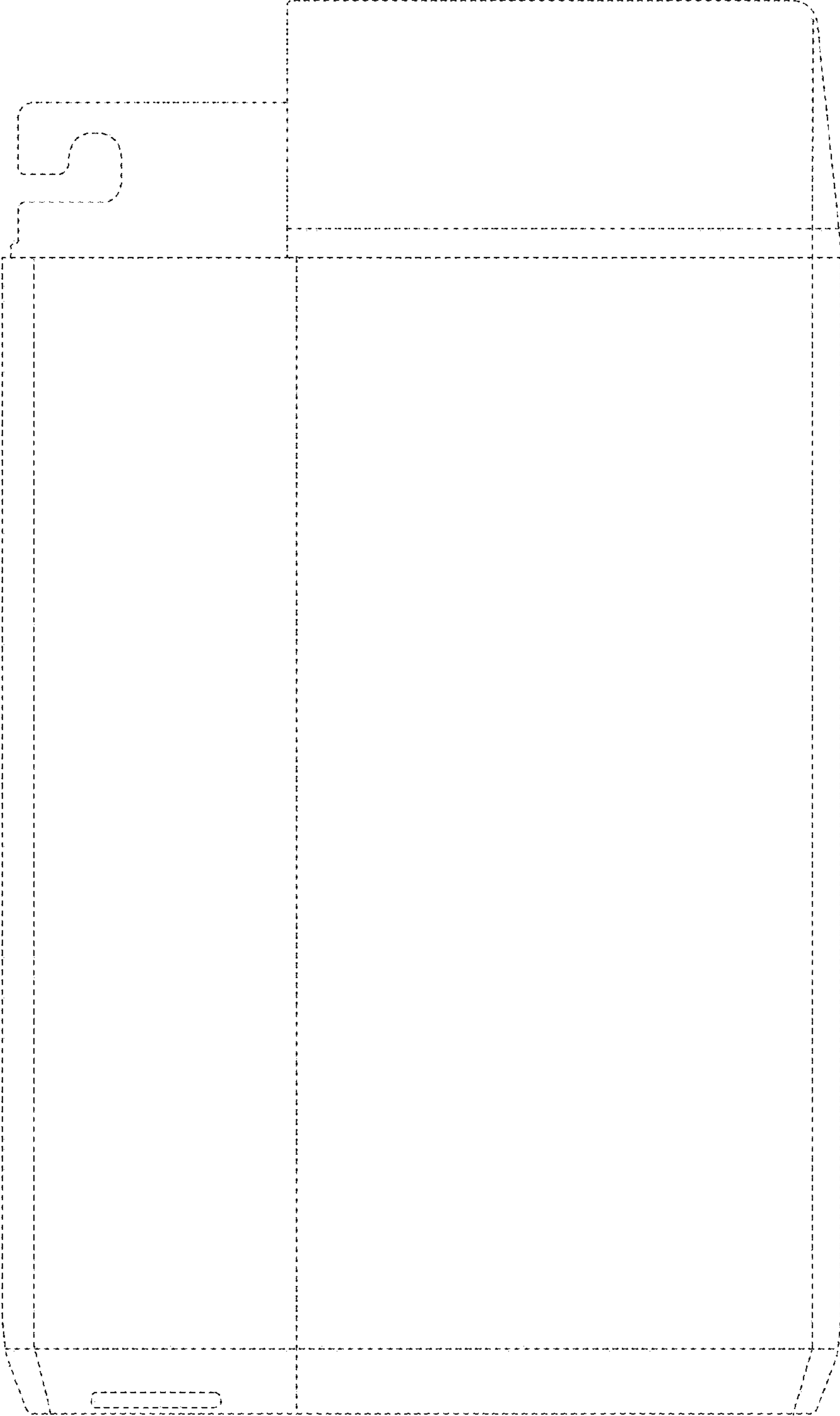


FIG. 5

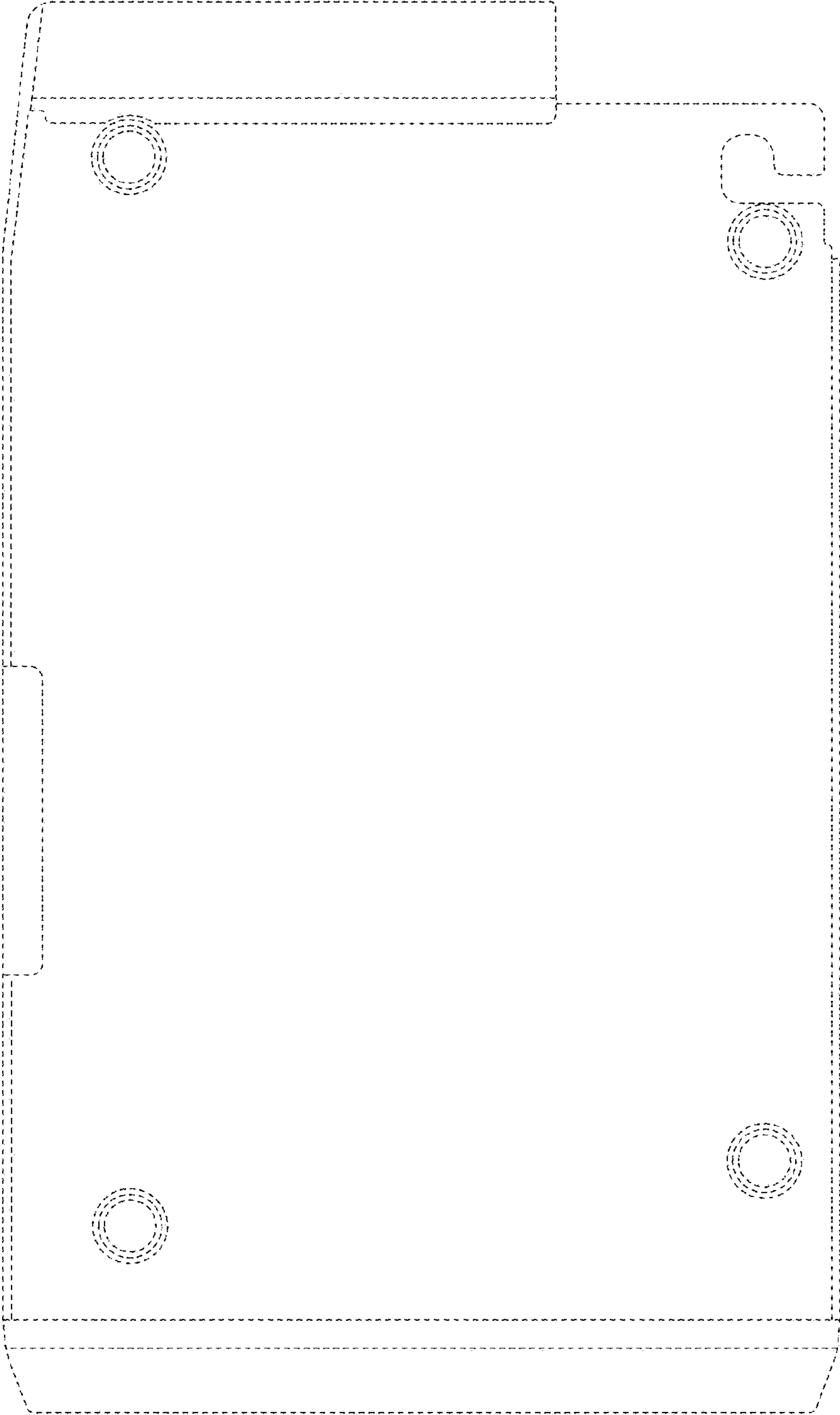


FIG. 6

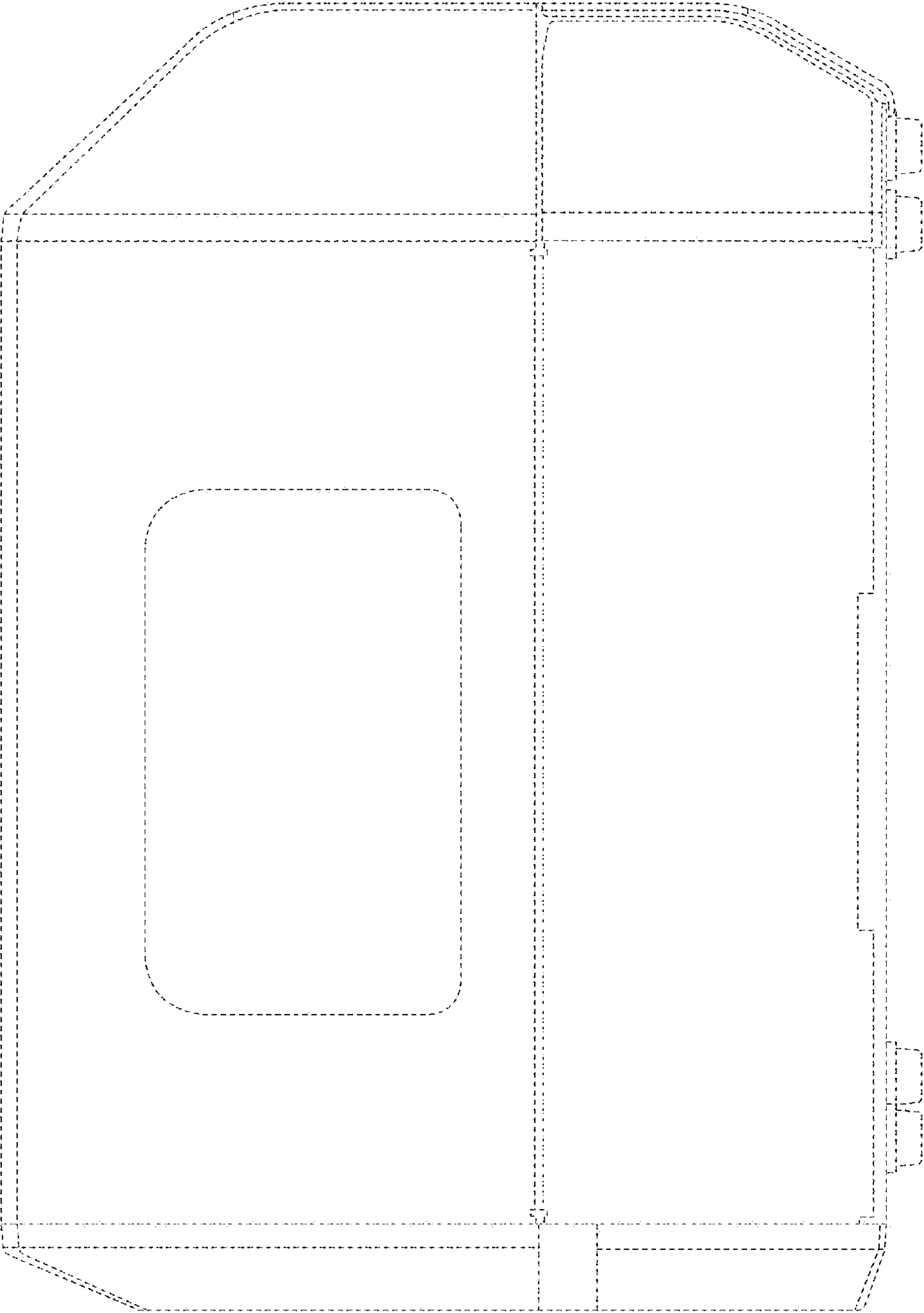


FIG. 7

