



US00D737891S

(12) **United States Design Patent**
Naylor

(10) **Patent No.:** **US D737,891 S**

(45) **Date of Patent:** **** Sep. 1, 2015**

(54) **GUITAR PICKUP**

(71) Applicant: **Joseph F. Naylor**, Troy, MI (US)

(72) Inventor: **Joseph F. Naylor**, Troy, MI (US)

(**) Term: **14 Years**

(21) Appl. No.: **29/441,780**

(22) Filed: **Jan. 9, 2013**

(51) **LOC (10) Cl.** **17-03**

(52) **U.S. Cl.**
USPC **D17/20**

(58) **Field of Classification Search**
USPC D17/14-21, 7-8, 10, 13
CPC . G10H 2220/515; G10H 3/182; G10H 3/186;
G10H 2220/505; G10H 3/18; G10H 3/181
See application file for complete search history.

(56) **References Cited**

U.S. PATENT DOCUMENTS

D188,348 S *	7/1960	Berglund	D17/20
3,962,946 A *	6/1976	Rickard	84/726
4,501,185 A *	2/1985	Blucher	84/728
D319,456 S *	8/1991	Fender	D17/20
5,252,777 A *	10/1993	Allen	84/726
5,525,750 A *	6/1996	Beller	84/726
D381,355 S *	7/1997	Frank-Braun	D17/20

5,834,999 A *	11/1998	Kinman	336/84 R
5,854,437 A *	12/1998	Merrick et al.	84/454
5,908,998 A *	6/1999	Blucher et al.	84/728
5,949,014 A *	9/1999	Rashak et al.	84/725
6,525,258 B1 *	2/2003	Powers	84/728
2002/0083819 A1 *	7/2002	Kinman	84/726
2012/0103170 A1 *	5/2012	Kinman	84/726
2014/0202319 A1 *	7/2014	Osborne	84/728

* cited by examiner

Primary Examiner — Sheryl Lane

Assistant Examiner — Nicole Shiflet

(74) *Attorney, Agent, or Firm* — Pate Baird, PLLC

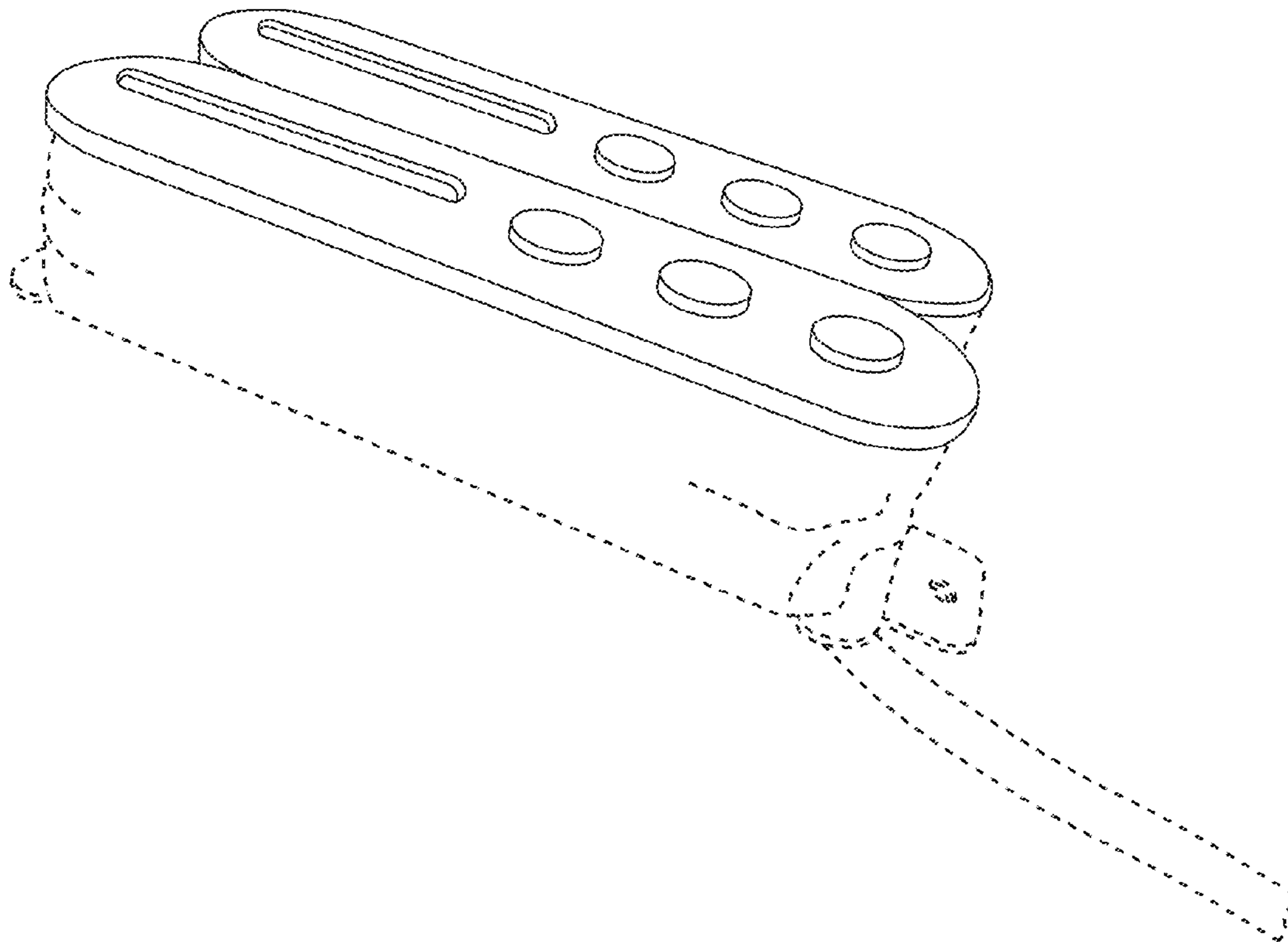
(57) **CLAIM**

The ornamental design for a guitar pickup, as shown and described.

DESCRIPTION

FIG. 1 is a top view of the guitar pickup;
FIG. 2 is a rear top perspective view thereof;
FIG. 3 is a front top perspective view thereof;
FIG. 4 is a front bottom perspective view thereof;
FIG. 5 is a front view thereof;
FIG. 6 is a side view thereof;
FIG. 7 is a side view thereof; and,
FIG. 8 is bottom view thereof.
The broken lines in the figure drawings represent portions of the article and form no part of the claimed design.

1 Claim, 8 Drawing Sheets



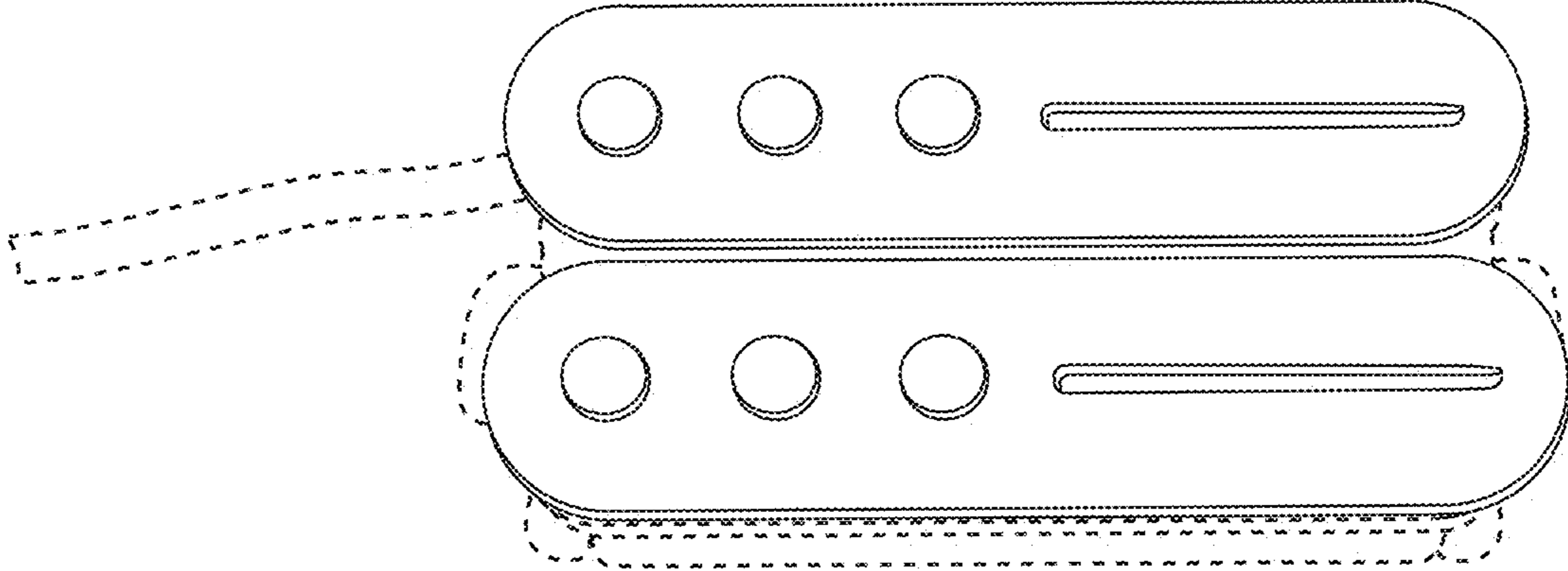


FIG. 1

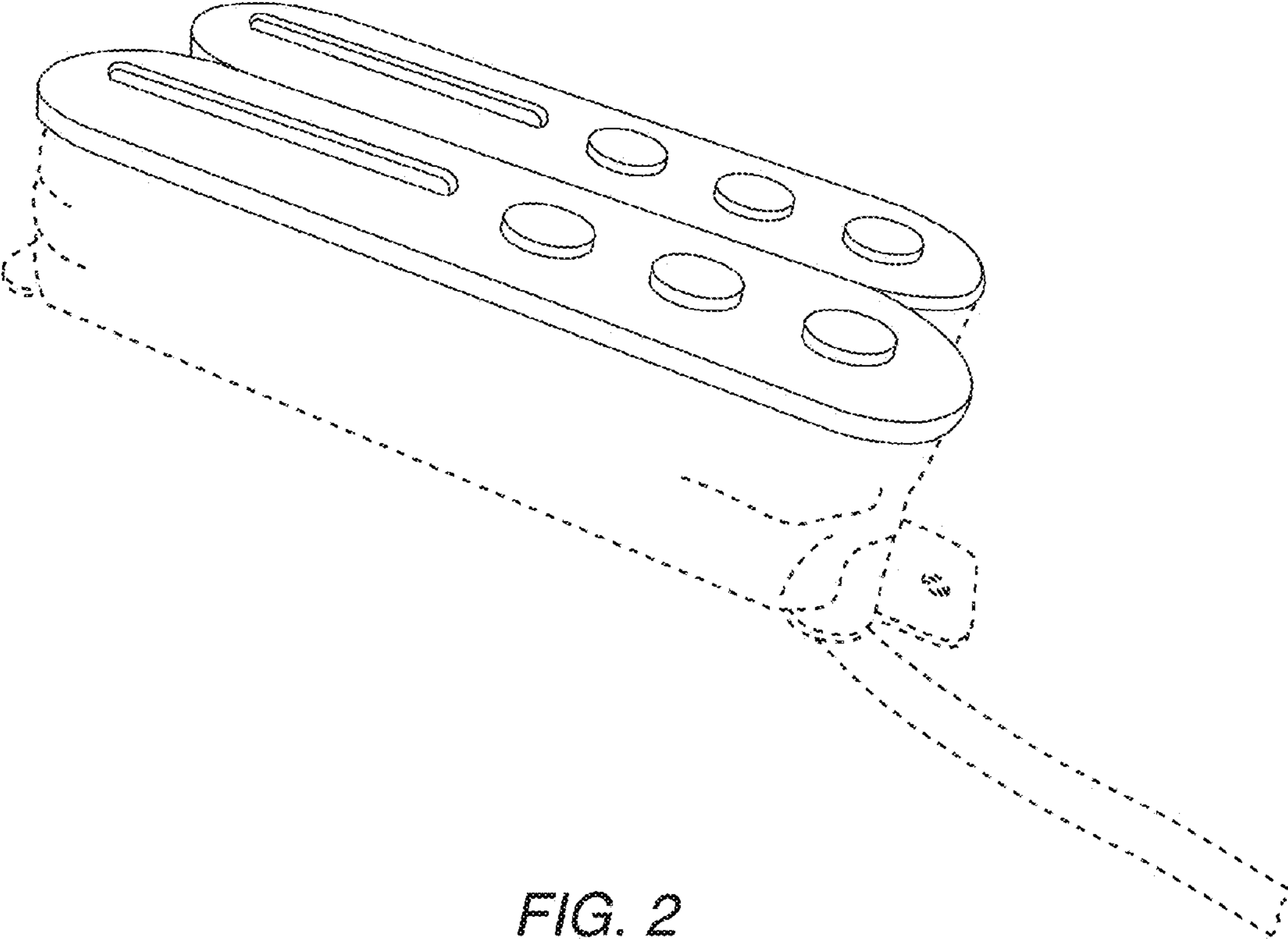


FIG. 2

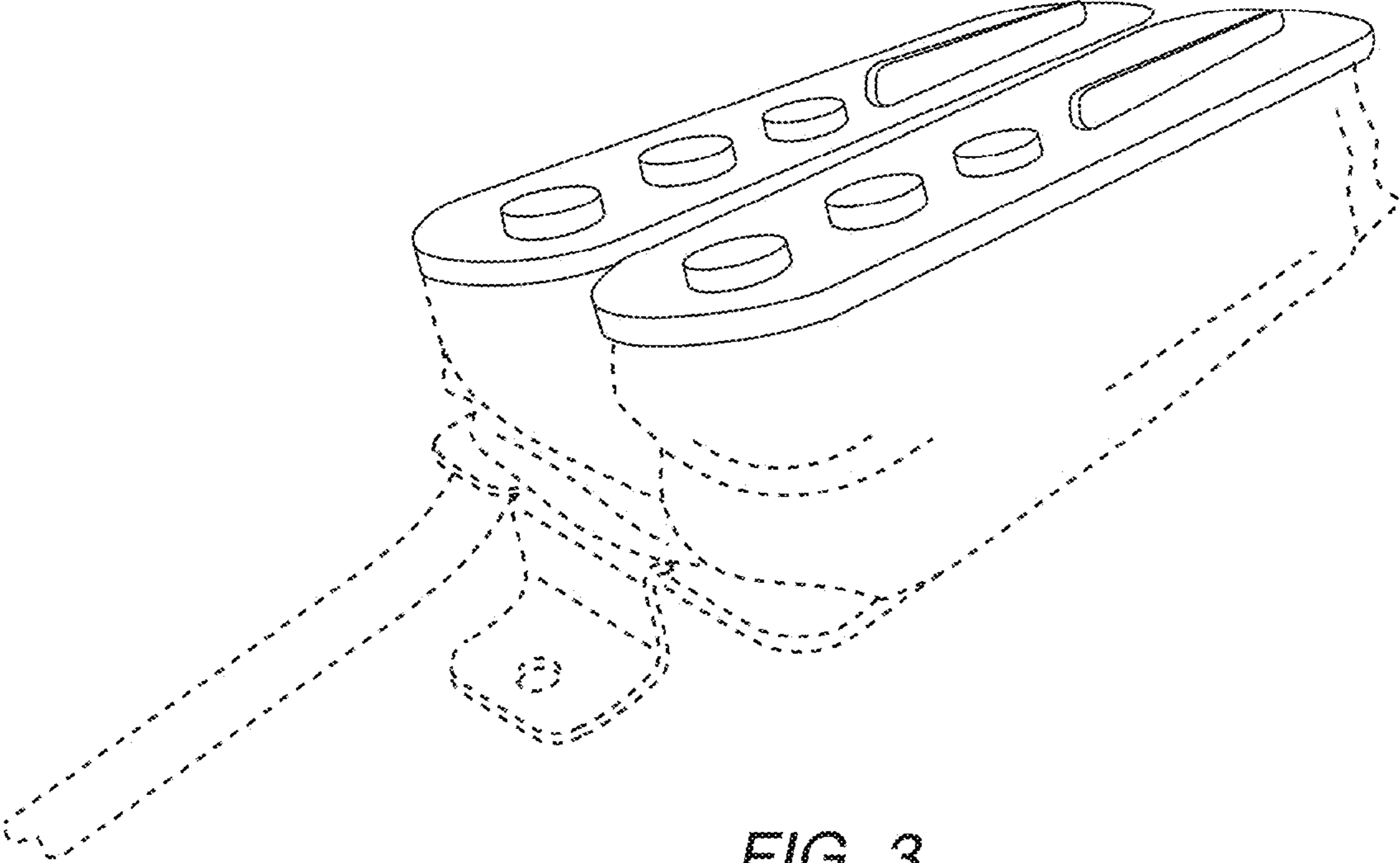


FIG. 3

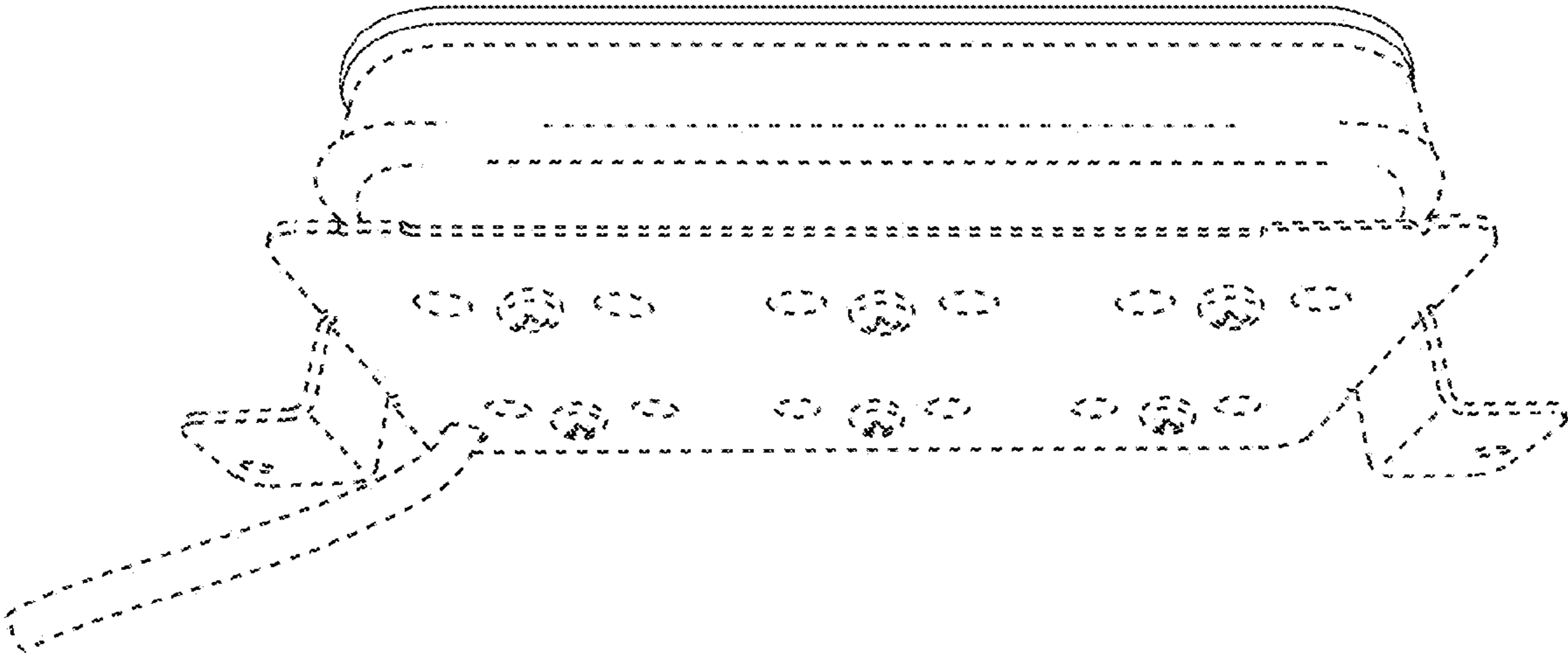


FIG. 4

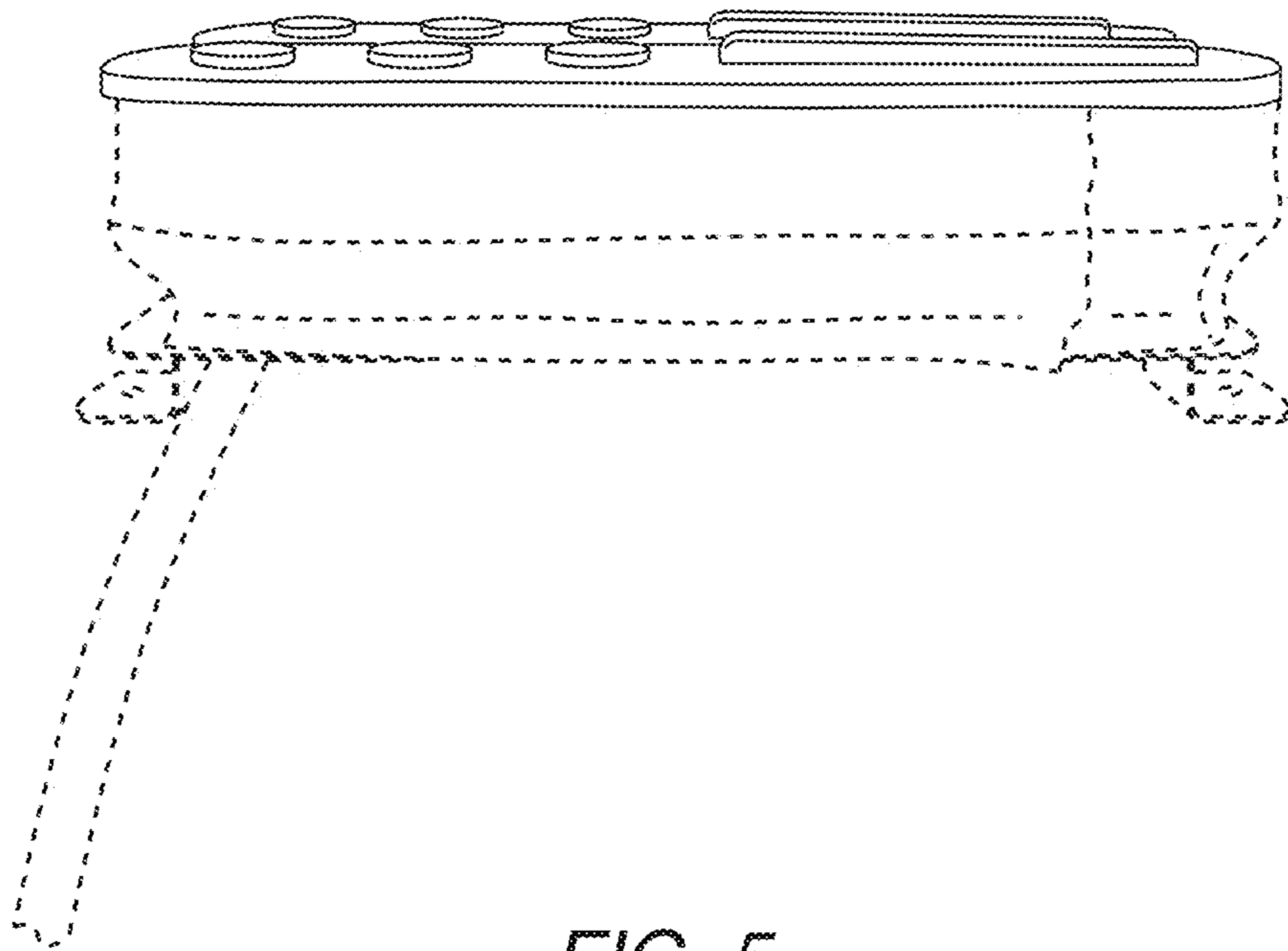


FIG. 5

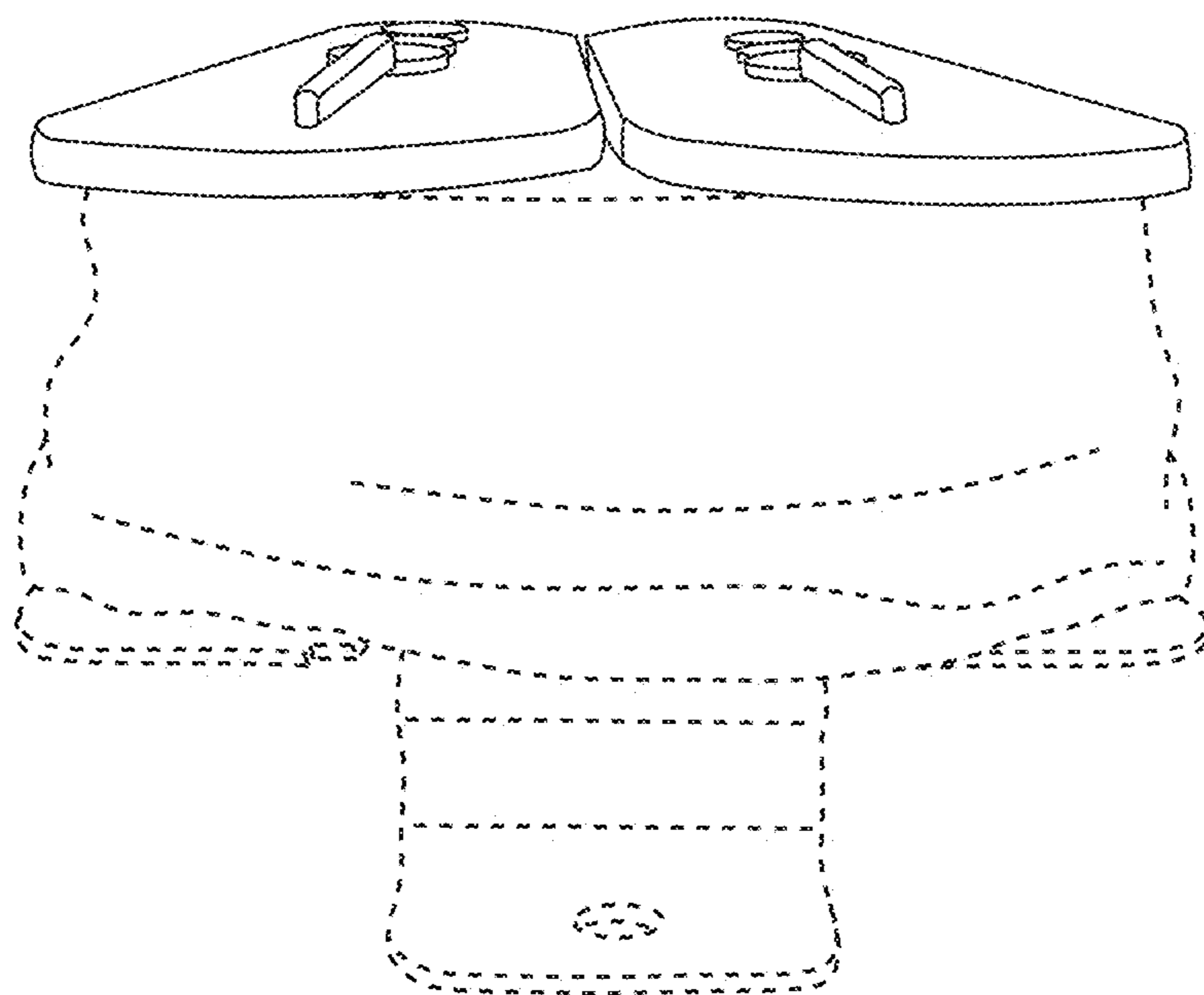


FIG. 6

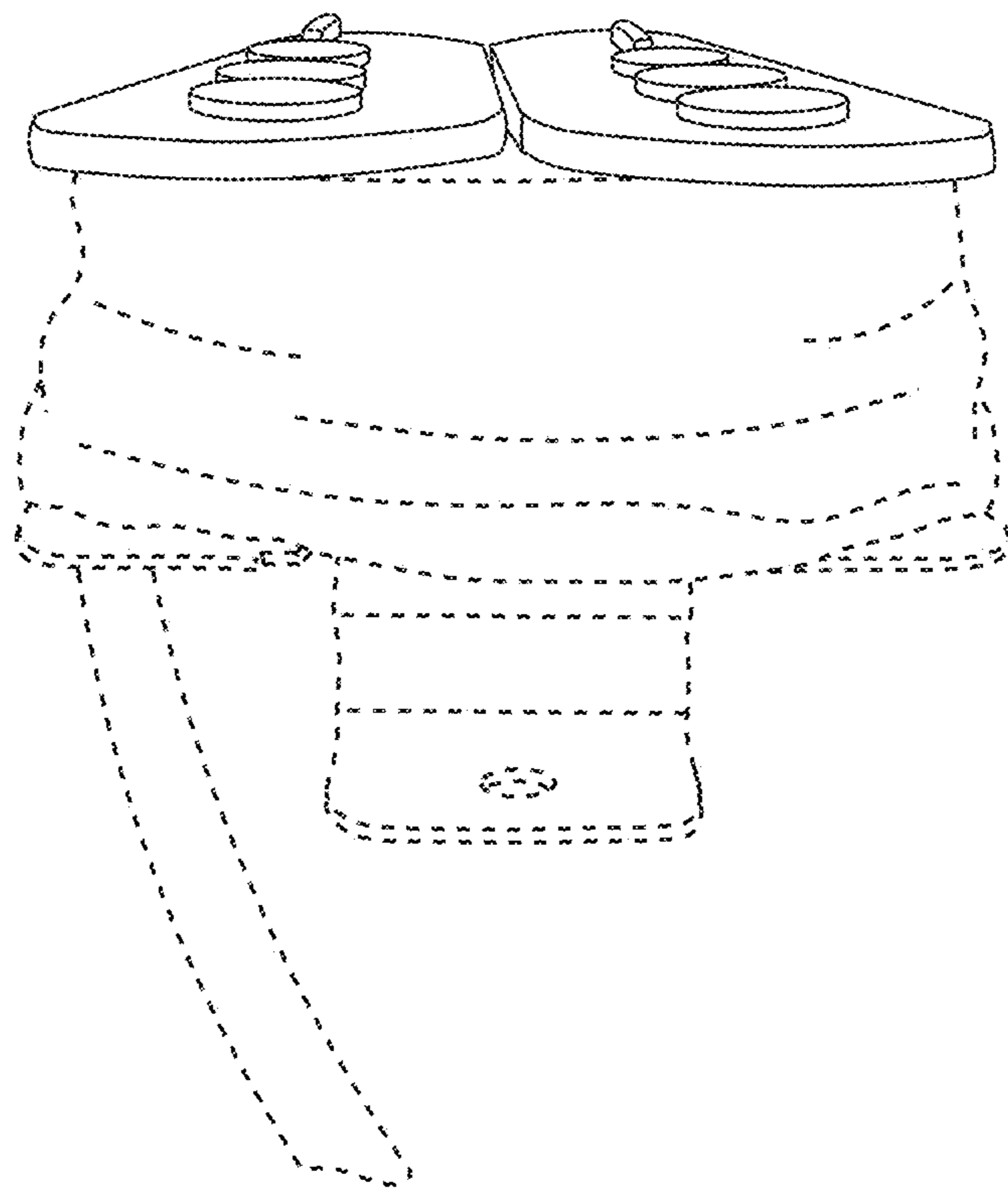


FIG. 7

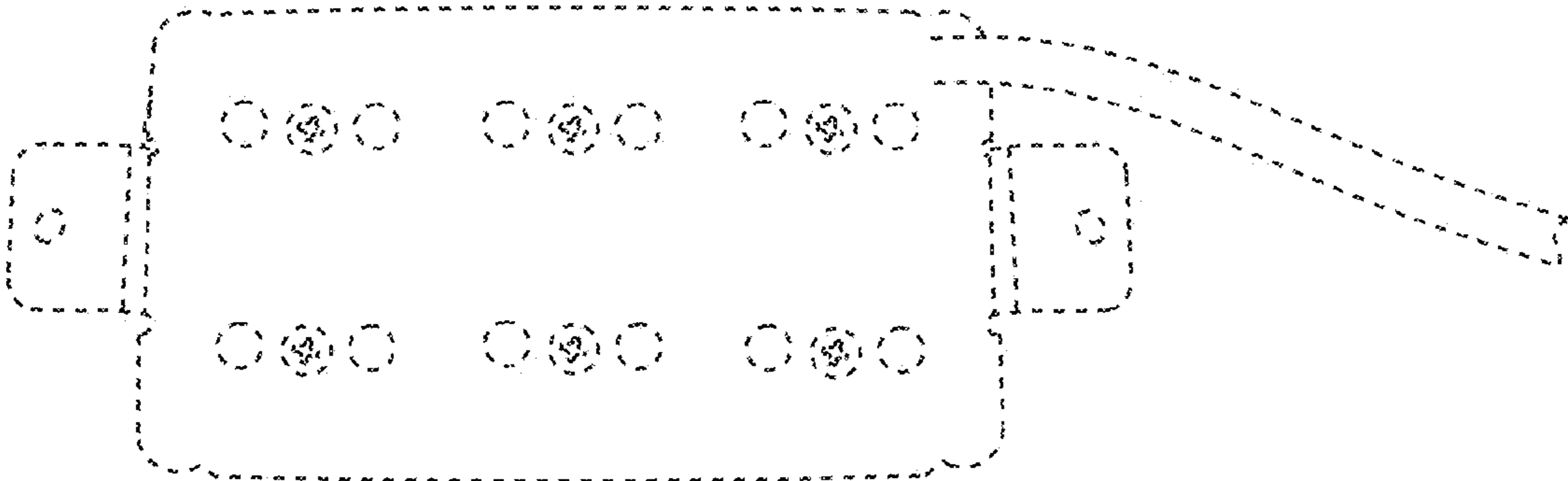


FIG. 8