



US00D737876S

(12) **United States Design Patent**
von Wly et al.

(10) **Patent No.:** **US D737,876 S**
(45) **Date of Patent:** **** *Sep. 1, 2015**

(54) **WELDING MACHINE FOR PLASTIC SHEETS**

(71) Applicant: **Leister Technologies AG**, Kagiswill
(CH)

(72) Inventors: **Bruno von Wly**, Kagiswill (CH); **Lukas Gisler**, Alpnach Dorf (CH)

(73) Assignee: **Leister Technologies AG**, Kagiswil
(CH)

(*) Notice: This patent is subject to a terminal disclaimer.

(**) Term: **14 Years**

(21) Appl. No.: **29/490,528**

(22) Filed: **May 10, 2014**

(51) **LOC (10) Cl.** **15-09**

(52) **U.S. Cl.**
USPC **D15/144**

(58) **Field of Classification Search**
USPC D8/29.1, 30; D15/144, 144.1, 144.2;
219/125.1, 130, 130.5, 132, 133, 241,
219/424, 606; 222/146.5, 152, 156, 189.06,
222/397; 228/8, 20, 51, 111.5
See application file for complete search history.

(56) **References Cited**

U.S. PATENT DOCUMENTS

D243,459	S	*	2/1977	Bliss	D15/144
D275,293	S	*	8/1984	Bouman	D15/144
D357,263	S	*	4/1995	Soderholm	D15/144.2
D357,927	S	*	5/1995	Soderholm	D15/144.1
D416,030	S	*	11/1999	Weller et al.	D15/144.1
D434,428	S	*	11/2000	Krieck	D15/144.2
D445,812	S	*	7/2001	Shimizu et al.	D15/144

6,870,131	B2	*	3/2005	Achtner et al.	219/130.1
7,241,973	B1	*	7/2007	Di Novo et al.	219/137.9
D556,798	S	*	12/2007	Franco	D15/144
D558,803	S	*	1/2008	Gisler et al.	D15/144
D569,883	S	*	5/2008	Wang	D15/144
D569,884	S	*	5/2008	Shu	D15/144
D606,102	S	*	12/2009	Bender et al.	D15/144
D621,430	S	*	8/2010	Christen et al.	D15/144
D652,436	S	*	1/2012	Ostlund et al.	D15/144
D665,833	S	*	8/2012	Raymond et al.	D15/144
D679,738	S	*	4/2013	Segala	D15/144
8,431,863	B2	*	4/2013	Kindig	219/130.1
D709,934	S	*	7/2014	Ross et al.	D15/144.2
8,794,290	B2	*	8/2014	Hamlin, III	156/499

* cited by examiner

Primary Examiner — Patricia Palasik

(74) *Attorney, Agent, or Firm* — Cascio & Zervas

(57) **CLAIM**

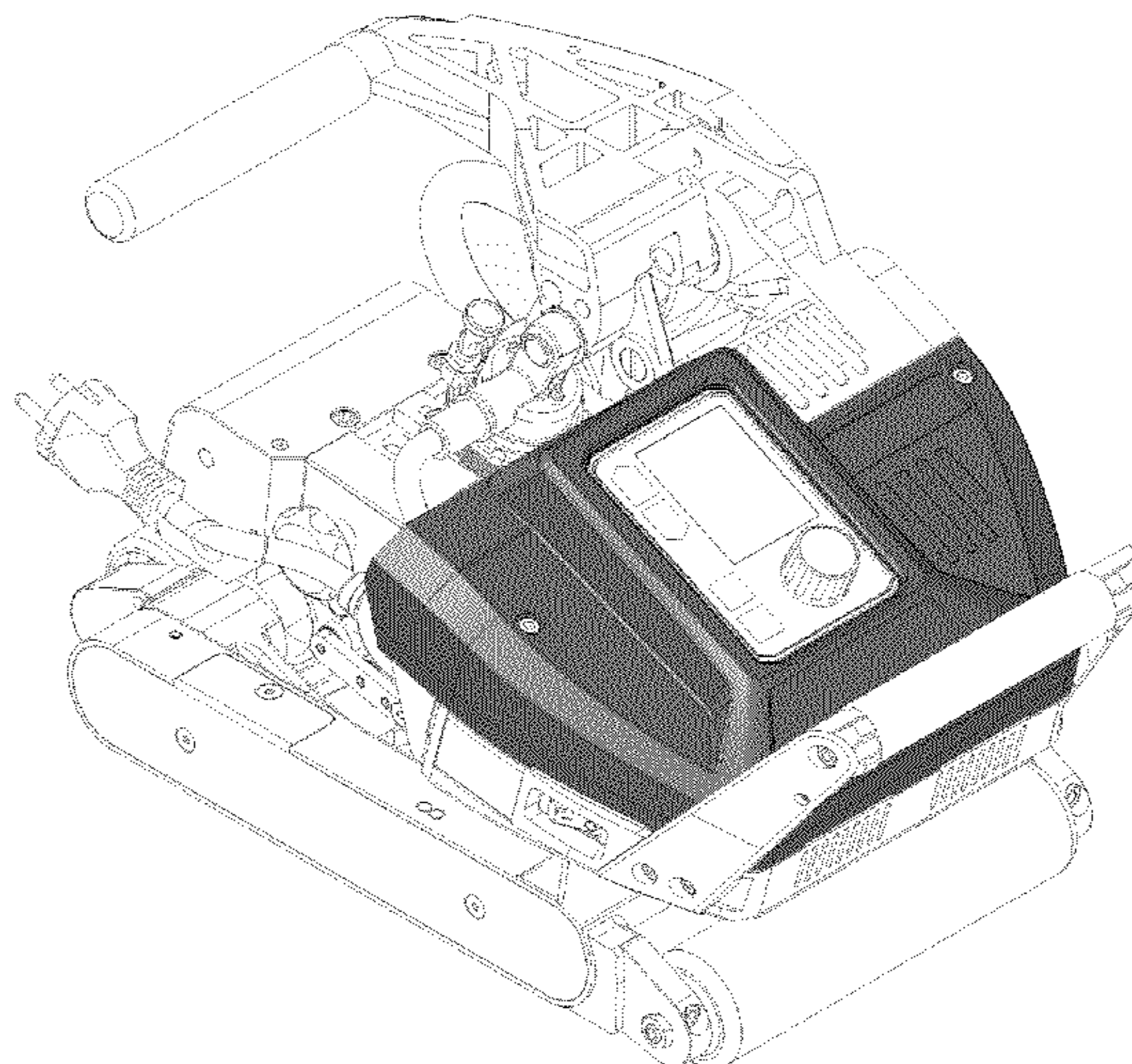
The ornamental design for a welding machine for plastic sheets, as shown and described.

DESCRIPTION

The file of this patent application contains at least one drawings/photograph executed in color. Copies of this patent with color drawing(s)/photograph(s) will be provided by the Patent and Trademark Office upon request and payment of the necessary fee.

FIG. 1 is a front perspective view of a welding machine for plastic sheets showing our design;
FIG. 2 is a left side elevational view thereof;
FIG. 3 is a right side elevational view thereof;
FIG. 4 is a front elevational view thereof;
FIG. 5 is a rear elevational view thereof; and,
FIG. 6 is a top plan view thereof.

1 Claim, 3 Drawing Sheets
(3 of 3 Drawing Sheet(s) Filed in Color)



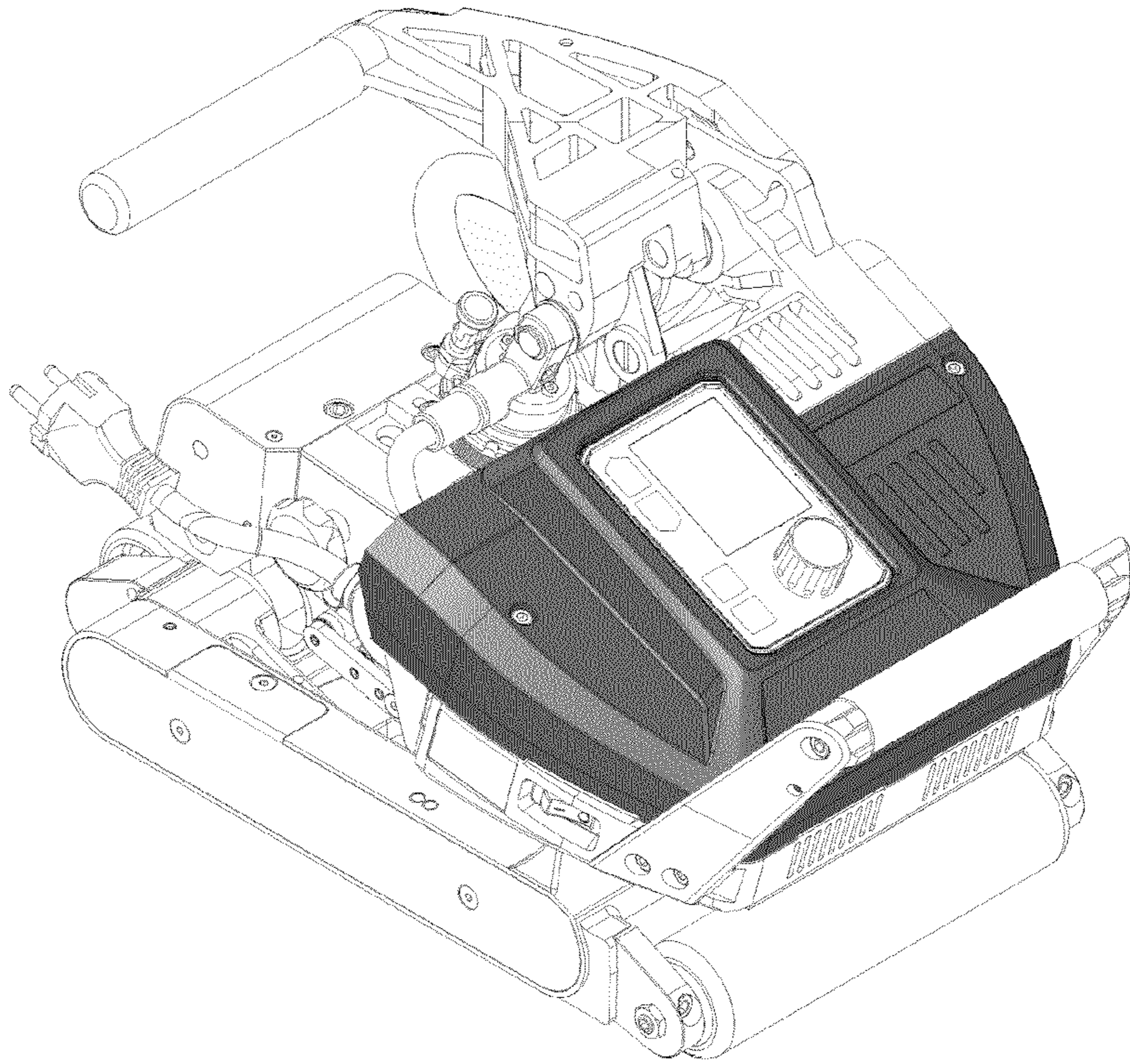


FIG. 1

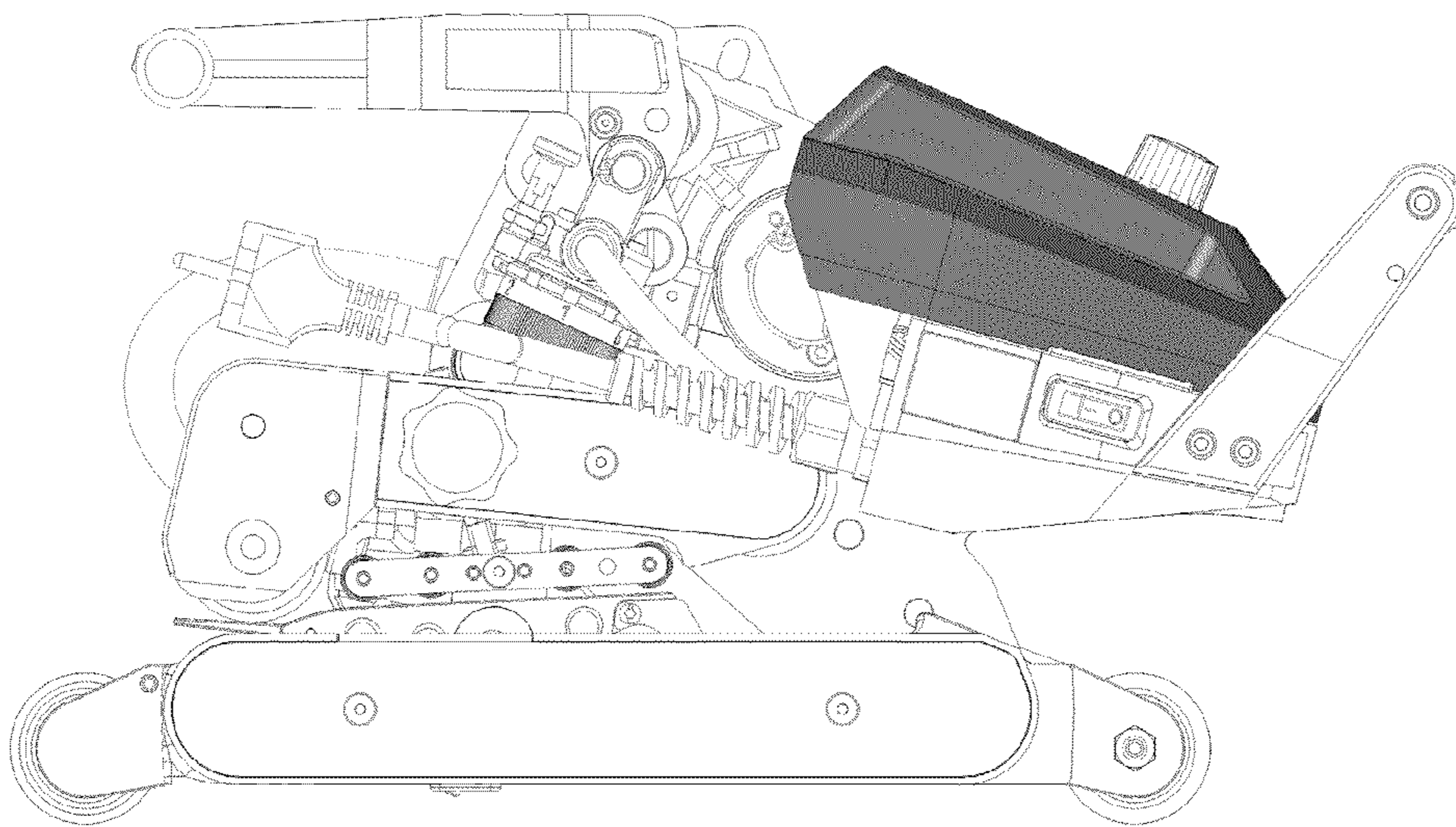


FIG. 2

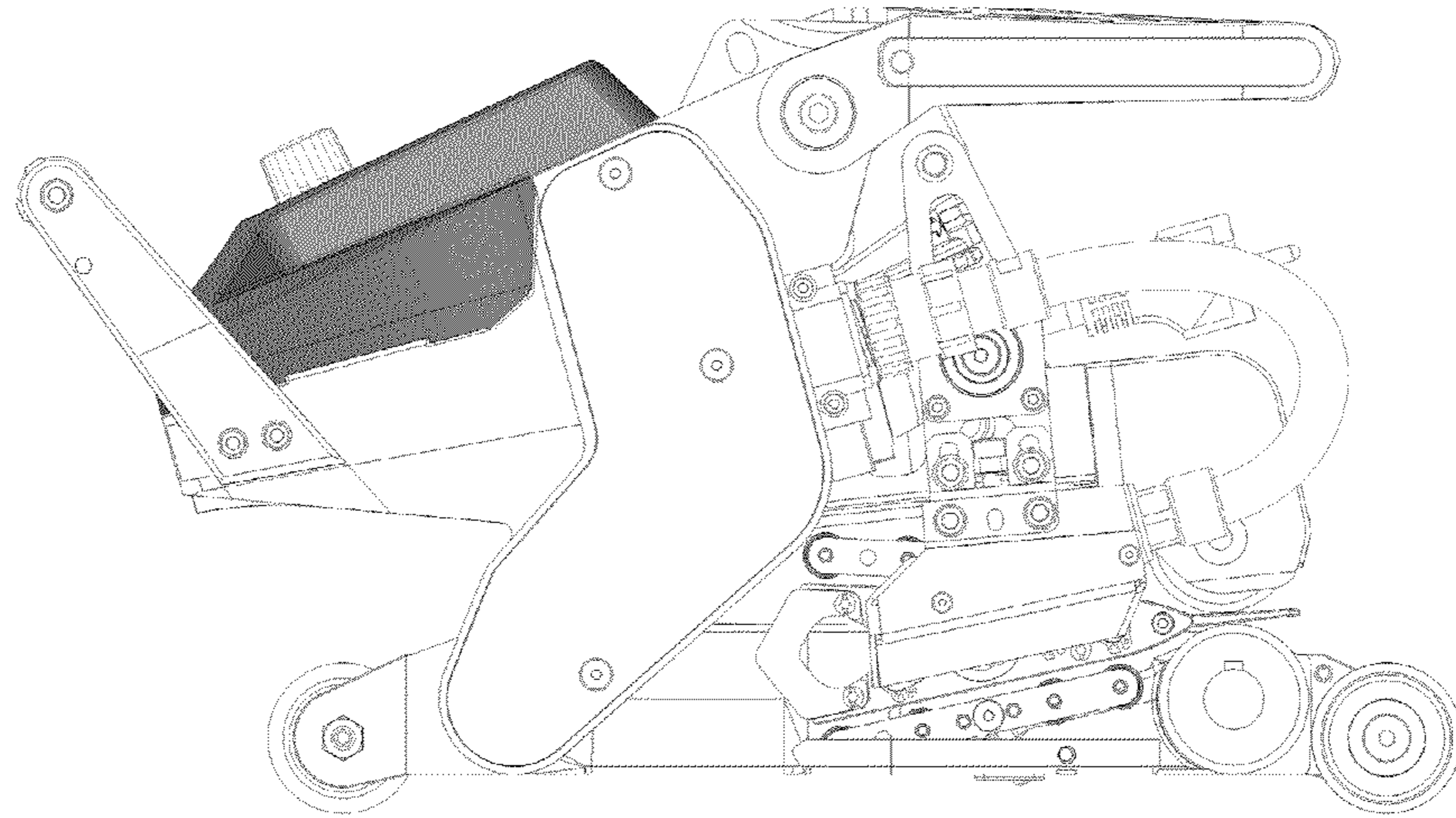


FIG. 3

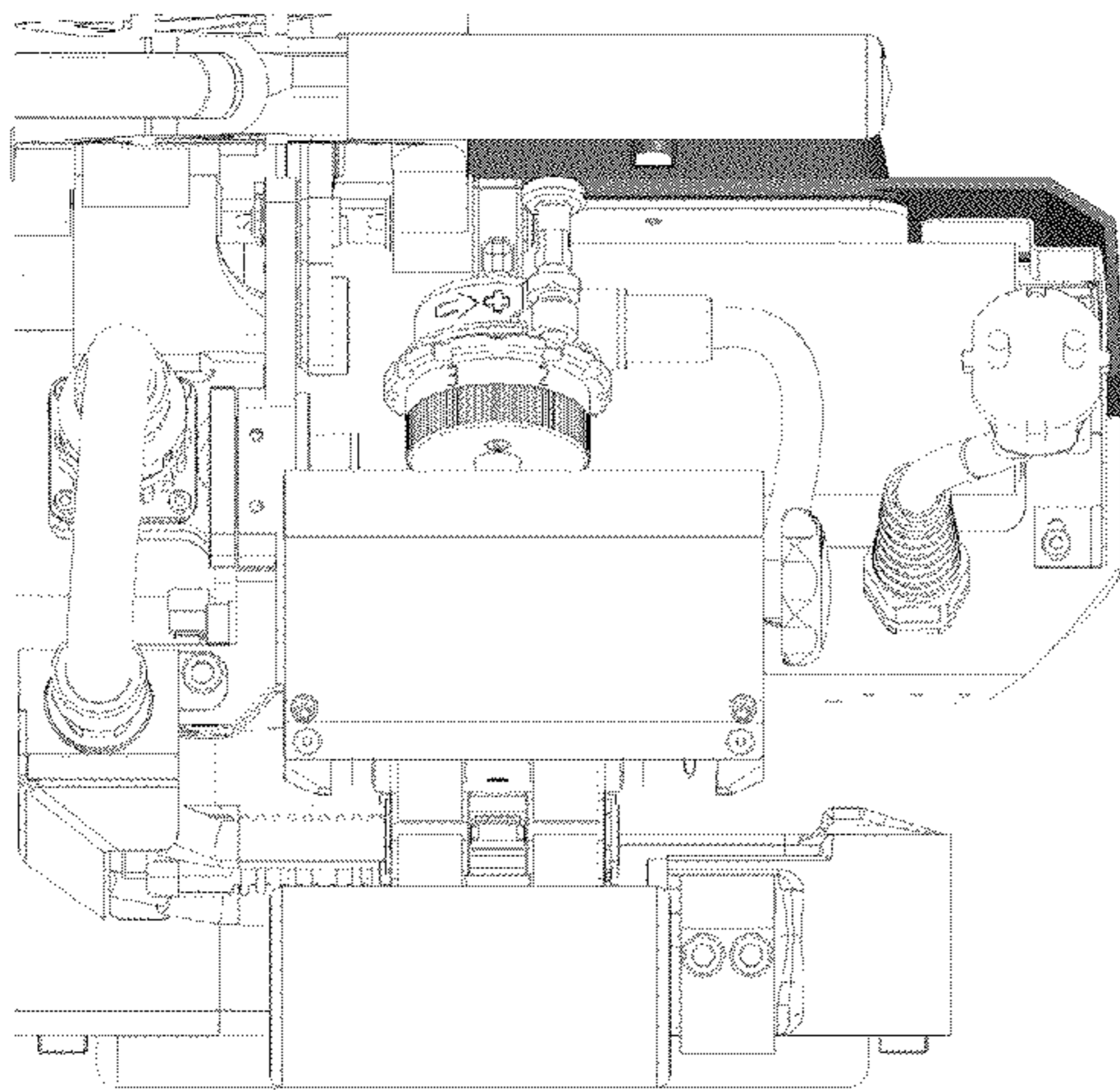


FIG. 4

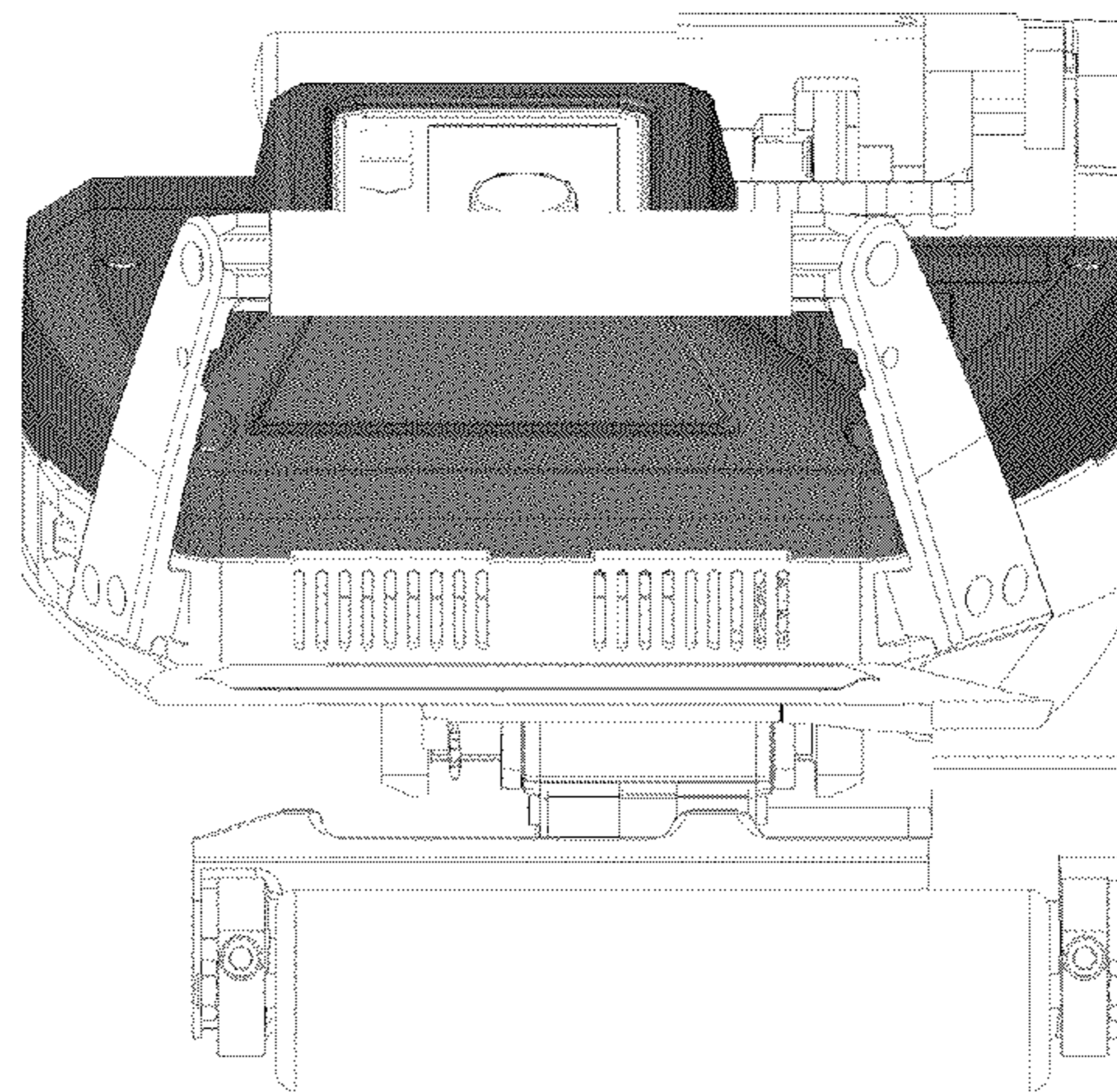


FIG. 5

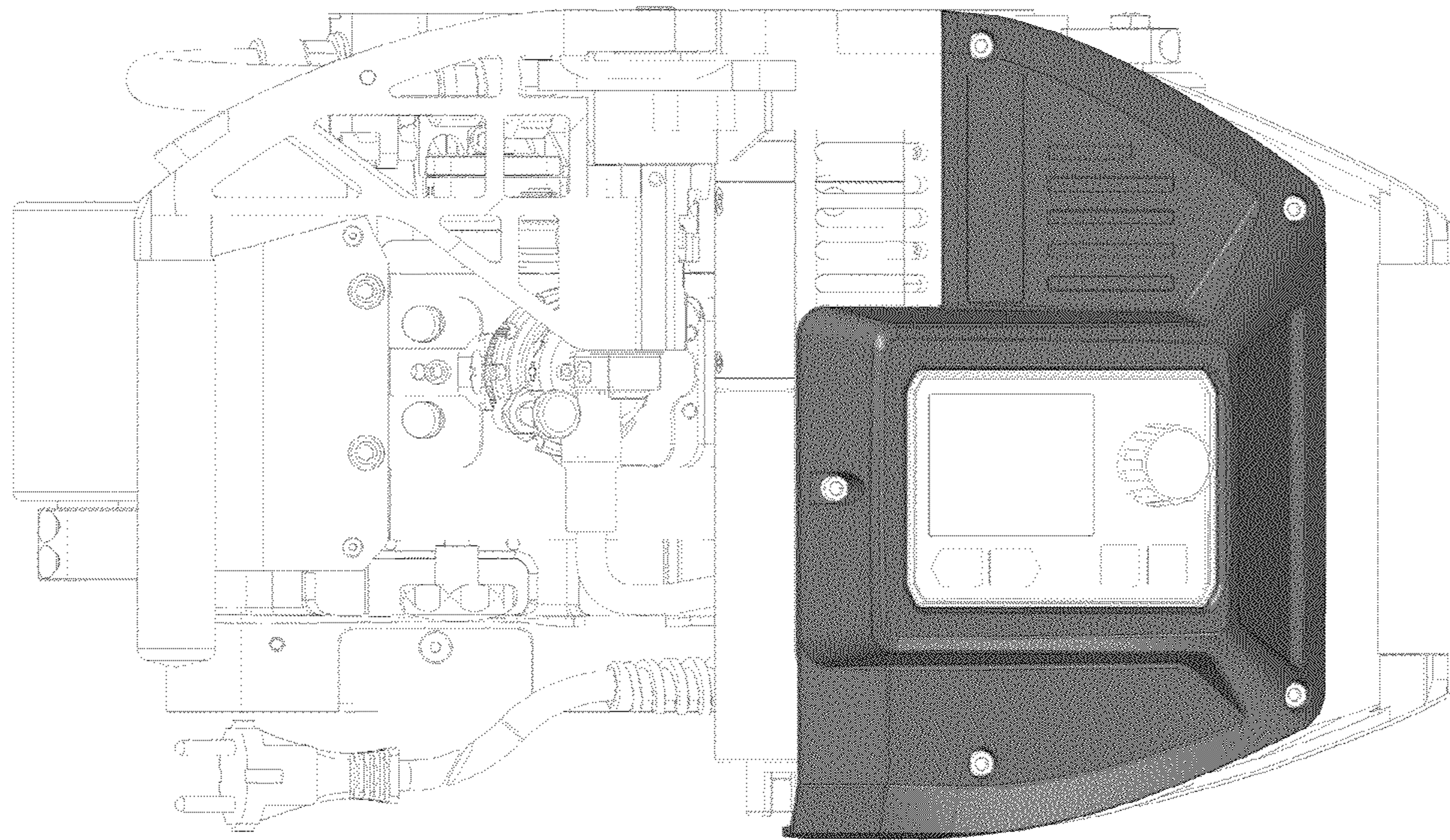


FIG. 6