



US00D737870S

(12) **United States Design Patent**
Houston

(10) **Patent No.:** **US D737,870 S**
(45) **Date of Patent:** **** Sep. 1, 2015**

- (54) **THREE DIMENSIONAL MOTION PLATFORM**
- (71) Applicant: **Robert Kevin Houston**, Orlando, FL (US)
- (72) Inventor: **Robert Kevin Houston**, Orlando, FL (US)
- (**) Term: **14 Years**
- (21) Appl. No.: **29/479,809**
- (22) Filed: **Jan. 21, 2014**
- (51) **LOC (10) Cl.** **15-09**
- (52) **U.S. Cl.**
USPC **D15/122; D15/135**
- (58) **Field of Classification Search**
USPC **D15/122, 135, 199**
See application file for complete search history.

7,027,887	B2 *	4/2006	Gaylo et al.	700/117
7,168,935	B1 *	1/2007	Taminger et al.	425/174.4
D553,653	S *	10/2007	Kai	D15/122
7,686,995	B2 *	3/2010	Davidson et al.	264/113
D619,632	S *	7/2010	Feng	D15/199
D650,819	S *	12/2011	Liu	D15/199
8,134,324	B2 *	3/2012	Nishida et al.	318/568.21
8,252,223	B2 *	8/2012	Medina et al.	264/401
D681,699	S *	5/2013	Lin	D15/122
D722,108	S *	2/2015	Reches et al.	D18/50
2006/0182602	A1 *	8/2006	Schuler et al.	414/735

* cited by examiner

Primary Examiner — Patricia Palasik
(74) *Attorney, Agent, or Firm* — Brainstorm Patents; Robin Lopez

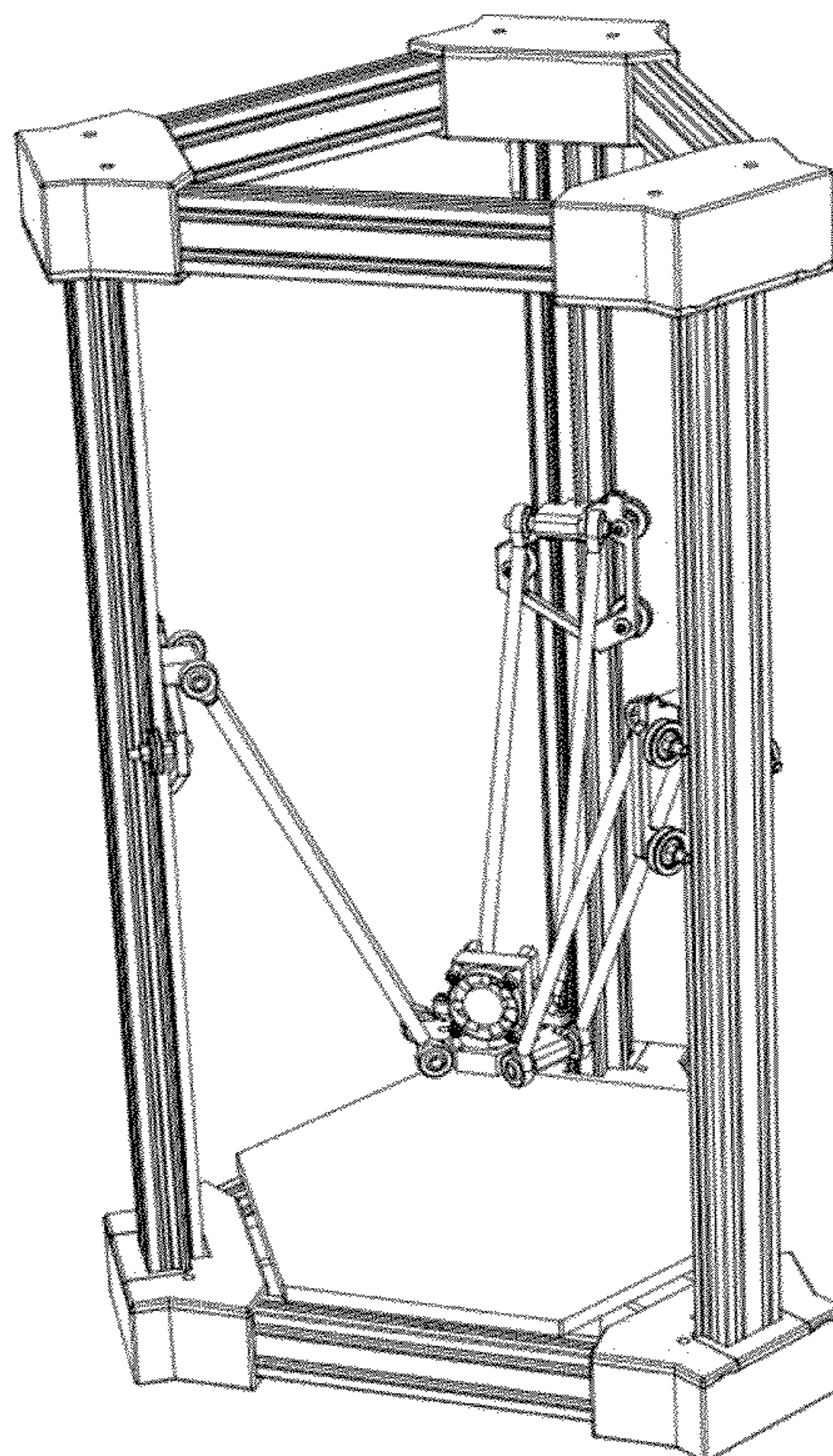
(57) **CLAIM**
I claim the ornamental design for a three dimensional motion platform, as shown and described.

DESCRIPTION

FIG. 1 is a top view of my new design for a three dimensional motion platform.
FIG. 2 is a perspective side view thereof.
FIG. 3 is a perspective rear view of the three dimensional motion platform.
FIG. 4 is a perspective front view thereof; and,
FIG. 5 is an isometric view of the three dimensional motion platform.

1 Claim, 5 Drawing Sheets

- (56) **References Cited**
U.S. PATENT DOCUMENTS
- | | | | | |
|-----------|------|--------|------------------------|------------|
| 5,509,631 | A * | 4/1996 | De Salvo | 248/370 |
| 5,939,008 | A * | 8/1999 | Comb et al. | 264/308 |
| 6,027,342 | A * | 2/2000 | Brown | 434/55 |
| 6,418,811 | B1 * | 7/2002 | Rosheim | 74/490.06 |
| 6,445,960 | B1 * | 9/2002 | Borta | 700/28 |
| 6,577,093 | B1 * | 6/2003 | Hvittfeldt et al. | 318/568.11 |
| 6,581,437 | B2 * | 6/2003 | Chrystall et al. | 73/7 |
| D478,921 | S * | 8/2003 | Kullborg et al. | D15/199 |



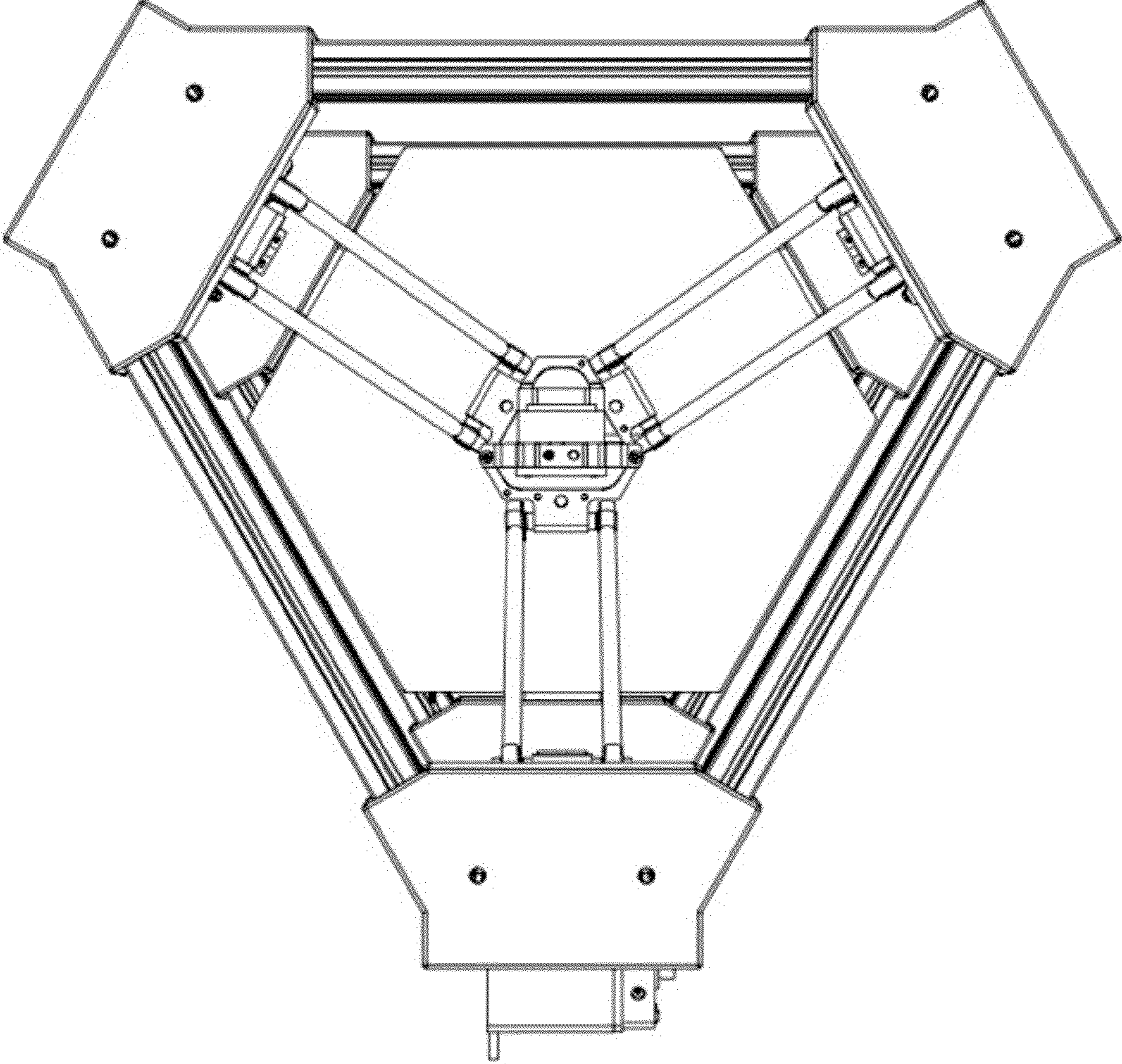


Figure 1.

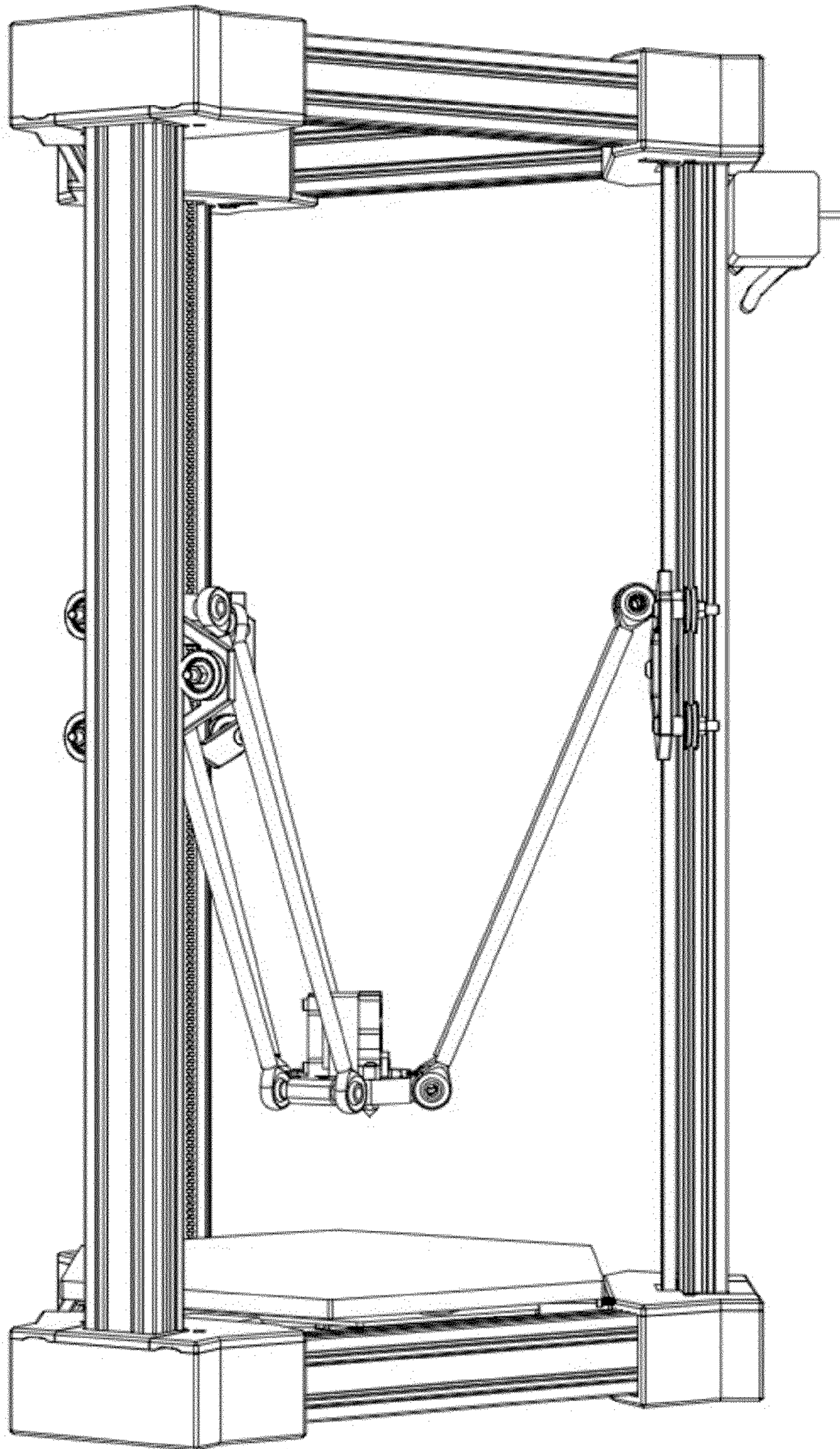


Figure 2.

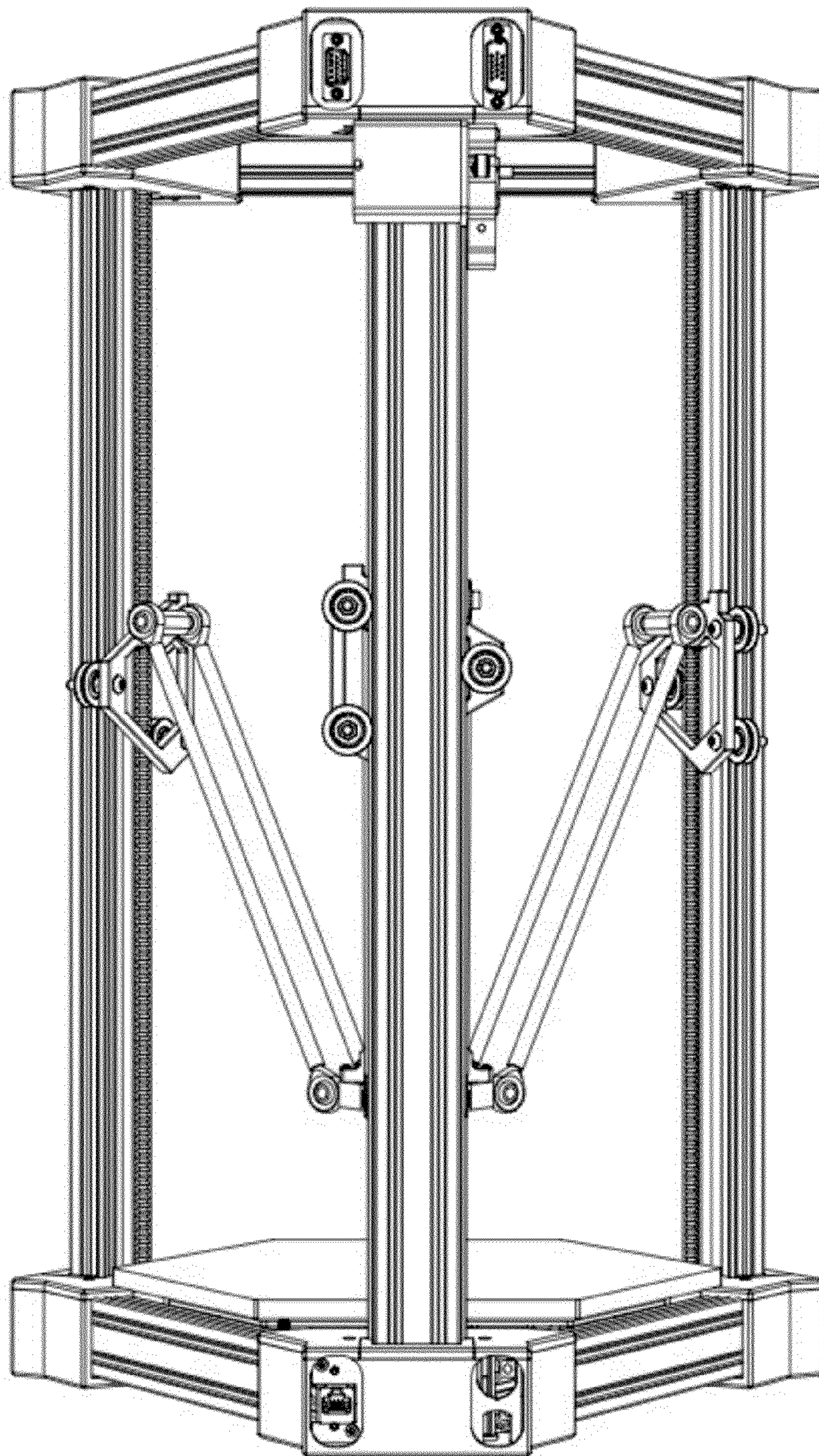


Figure 3.

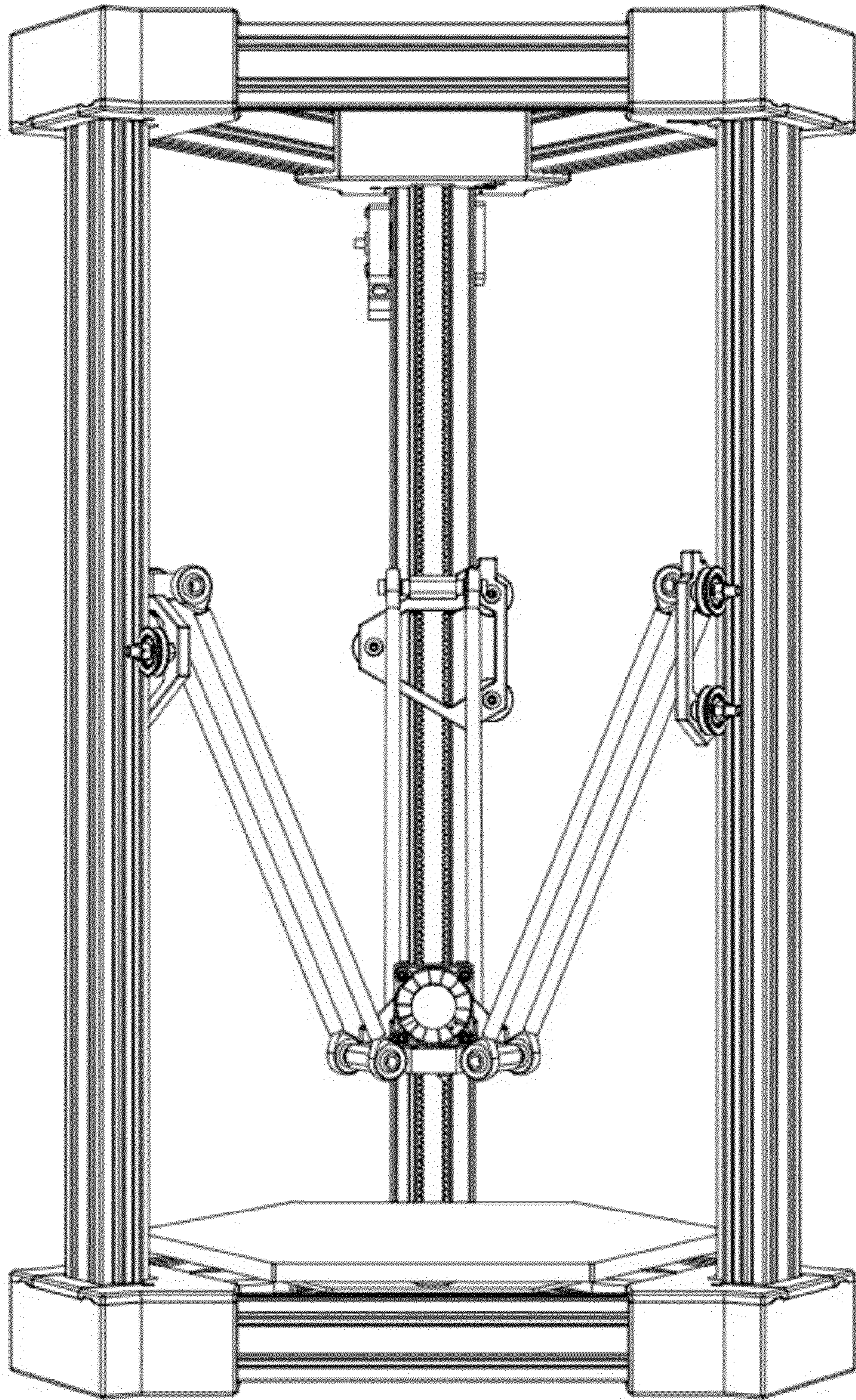


Figure 4.

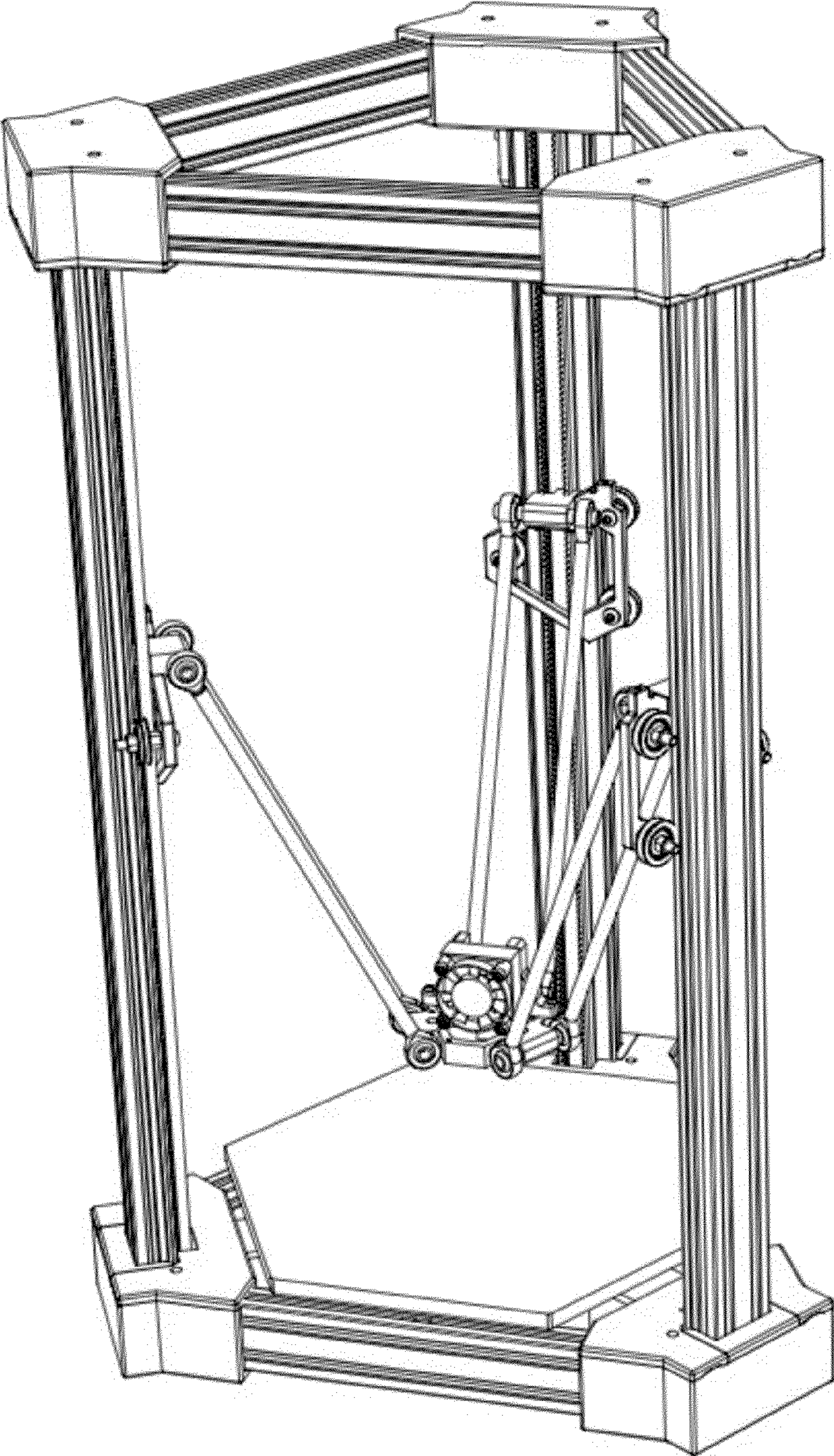


Figure 5.