



US00D737869S

(12) **United States Design Patent**
Seo et al.

(10) **Patent No.:** **US D737,869 S**
(45) **Date of Patent:** **** Sep. 1, 2015**

(54) **DRAWER FOR REFRIGERATOR**

(71) Applicant: **LG Electronics Inc.**, Seoul (KR)
(72) Inventors: **Woonkyu Seo**, Seoul (KR); **Jinwon Kang**, Gyeonggi-do (KR); **Myungdong You**, Incheon (KR); **Daesung Lee**, Gyeonggi-do (KR)

(73) Assignee: **LG Electronics Inc.**, Seoul (KR)

(**) Term: **14 Years**

(21) Appl. No.: **29/491,183**

(22) Filed: **May 19, 2014**

(30) **Foreign Application Priority Data**

Nov. 19, 2013 (KR) 30-2013-0058214

(51) **LOC (10) Cl.** **15-07**

(52) **U.S. Cl.**
USPC **D15/91**

(58) **Field of Classification Search**
USPC D15/79-91
CPC F25D 23/028; F25D 23/02; F25D 25/025;
F25D 23/00; F25D 2323/021; F25D 11/00;
F25D 2323/024; F25D 23/04; F25D 29/00;
F25D 25/02; F25D 25/024; F25D 27/005;
F25D 23/12; F25D 29/005; F25D 17/042;
F25D 2325/021

See application file for complete search history.

(56) **References Cited**

U.S. PATENT DOCUMENTS

D513,270 S *	12/2005	Seok et al.	D15/89
D656,968 S *	4/2012	Hwang et al.	D15/86
D671,152 S *	11/2012	Seo et al.	D15/89
D718,349 S *	11/2014	Cho et al.	D15/85

* cited by examiner

Primary Examiner — Daniel Bui

Assistant Examiner — Khawaja Anwar

(74) *Attorney, Agent, or Firm* — Morgan, Lewis & Bockius, LLP

(57) **CLAIM**

The ornamental design for a drawer for refrigerator, as shown and described.

DESCRIPTION

FIG. 1 is a front, right side, perspective view of a drawer for refrigerator showing our new design; FIG. 2 is a front view thereof; FIG. 3 is a rear view thereof; FIG. 4 is a left side view thereof; FIG. 5 is a right side view thereof; FIG. 6 is a top view thereof; and, FIG. 7 is a bottom view thereof; FIG. 8 is a front and right side perspective view thereof, shown in an open condition; FIG. 9 is a front and right side perspective view thereof, shown in another open condition; and, FIG. 10 is a front and right side perspective view thereof, shown in another open condition.

1 Claim, 8 Drawing Sheets

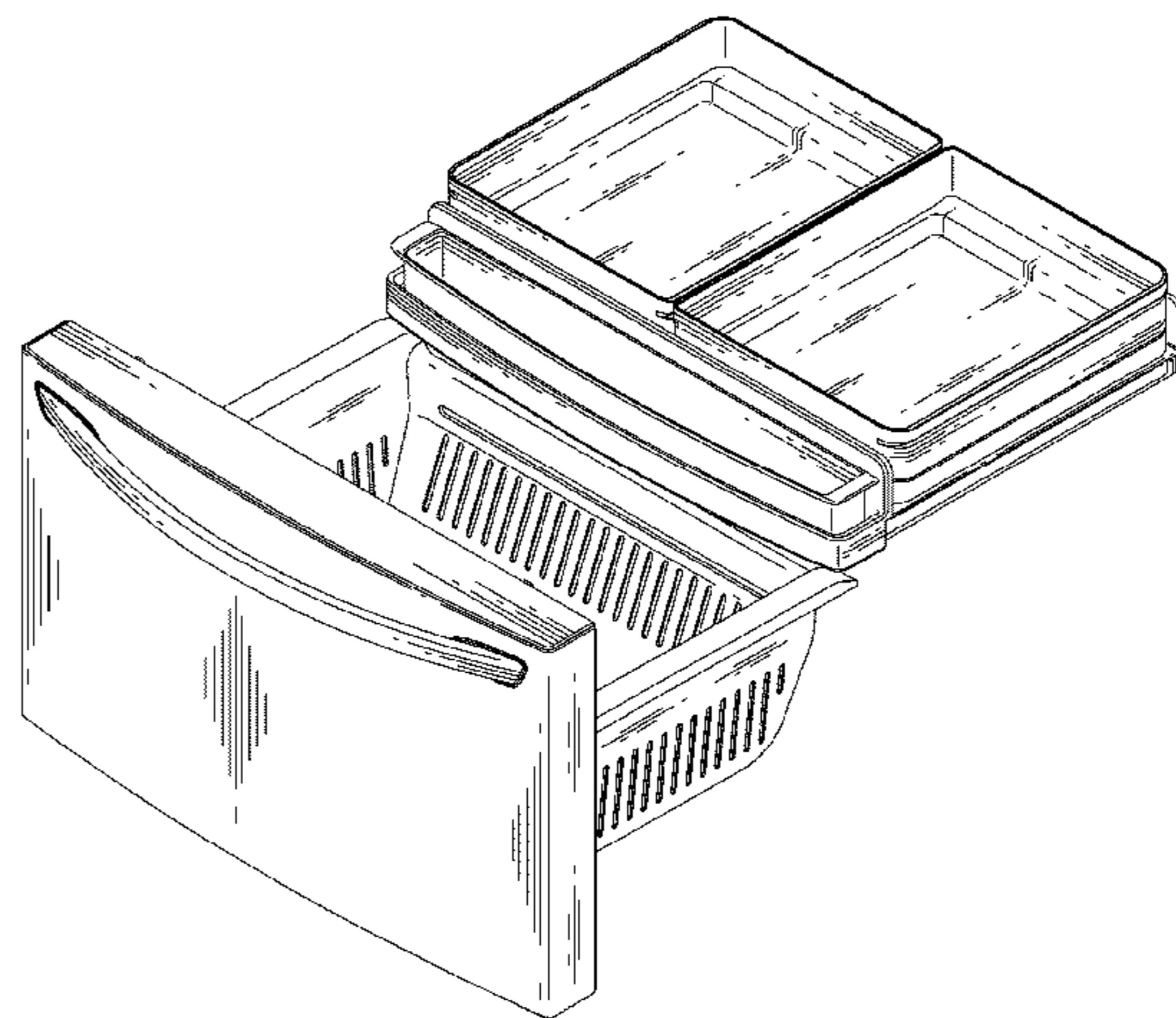
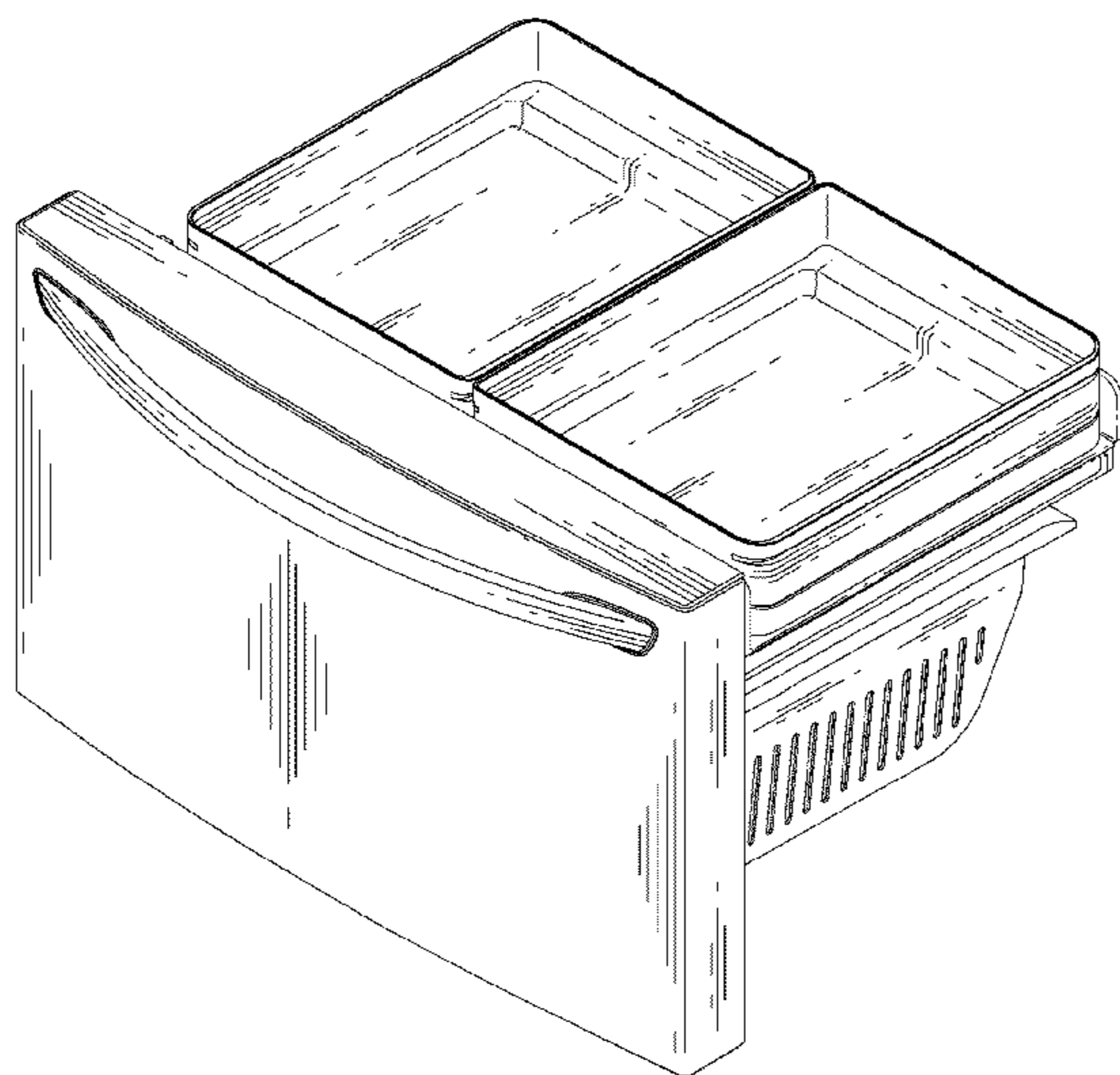


FIG. 1

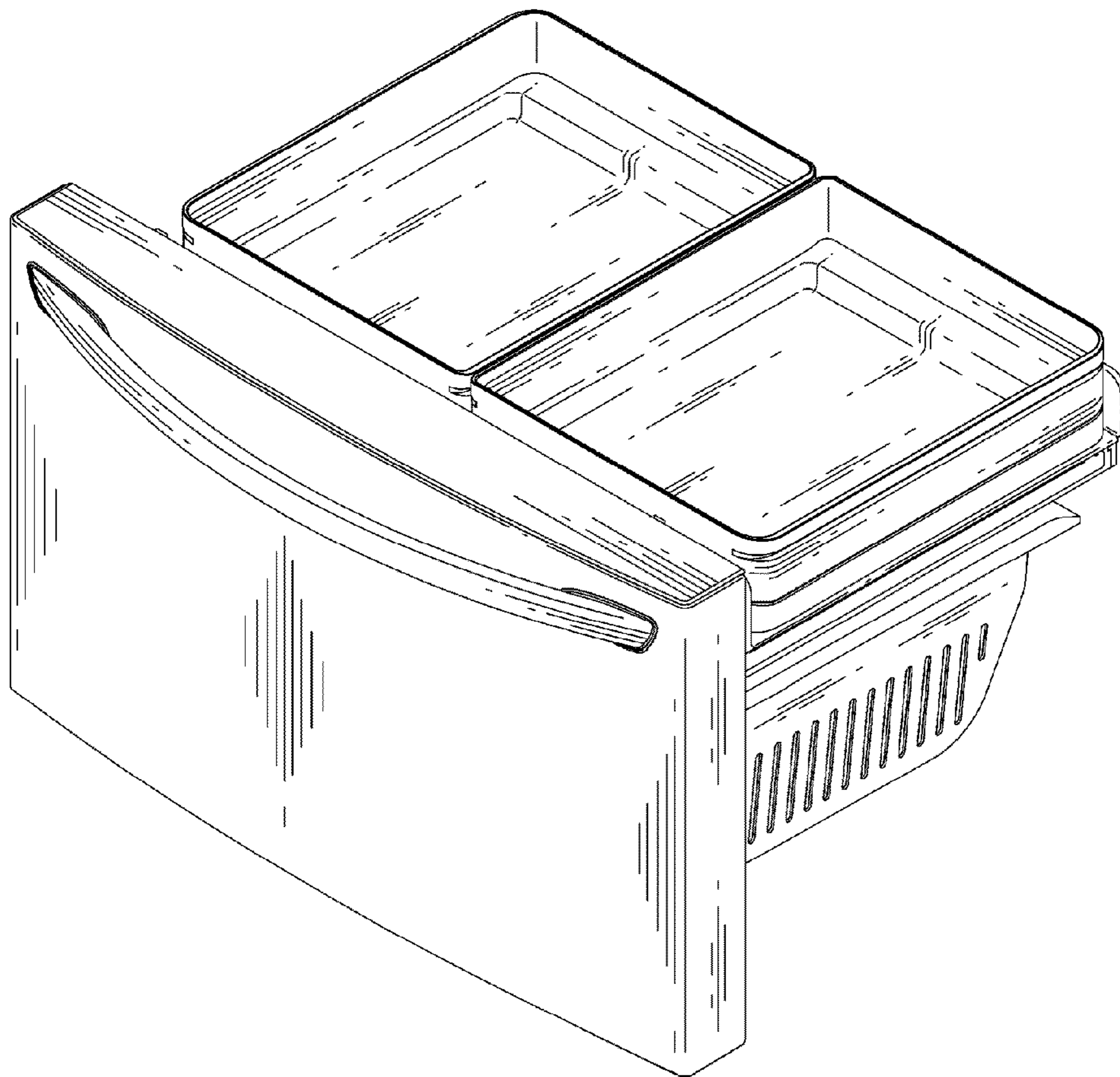


FIG. 2

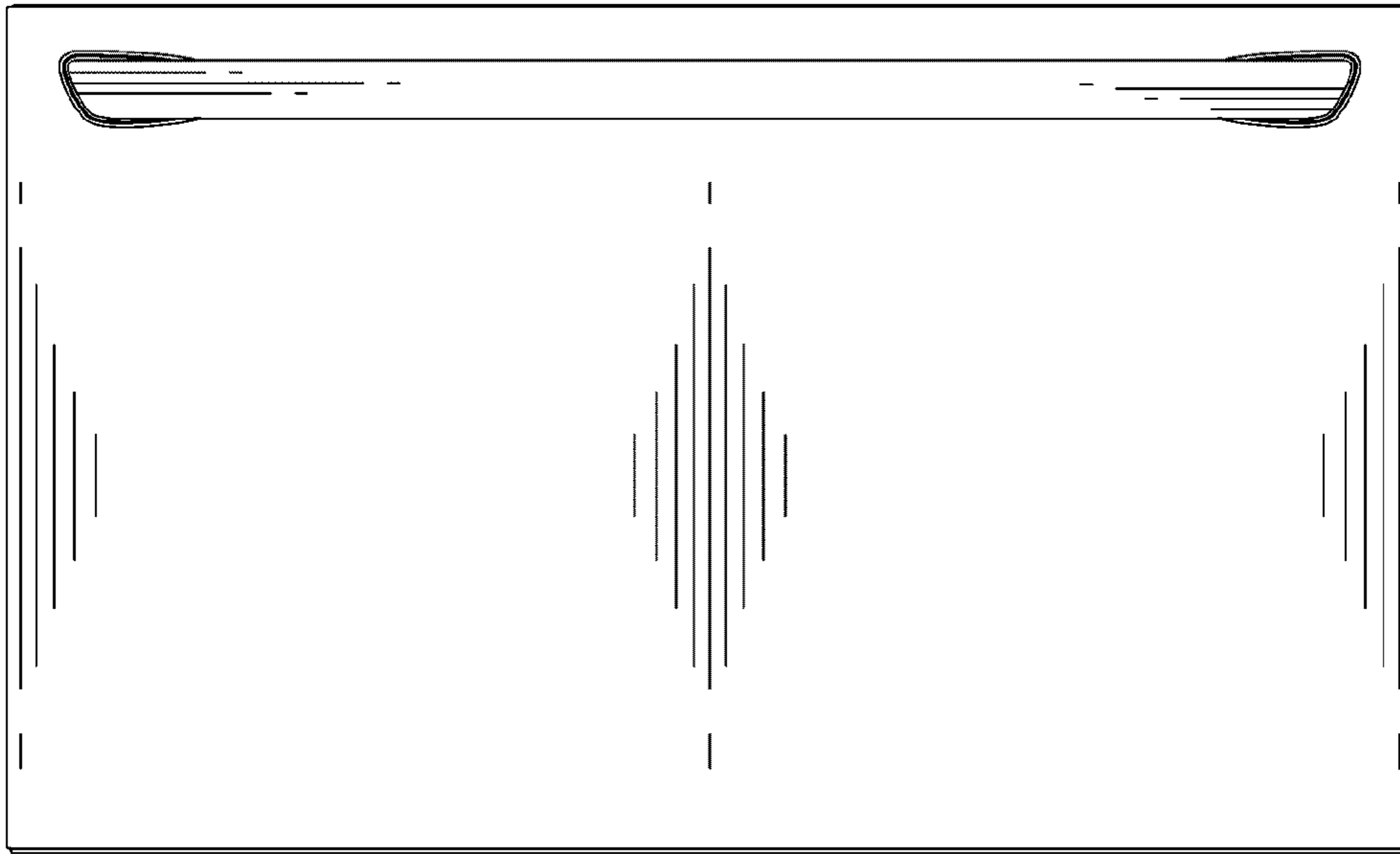


FIG. 3

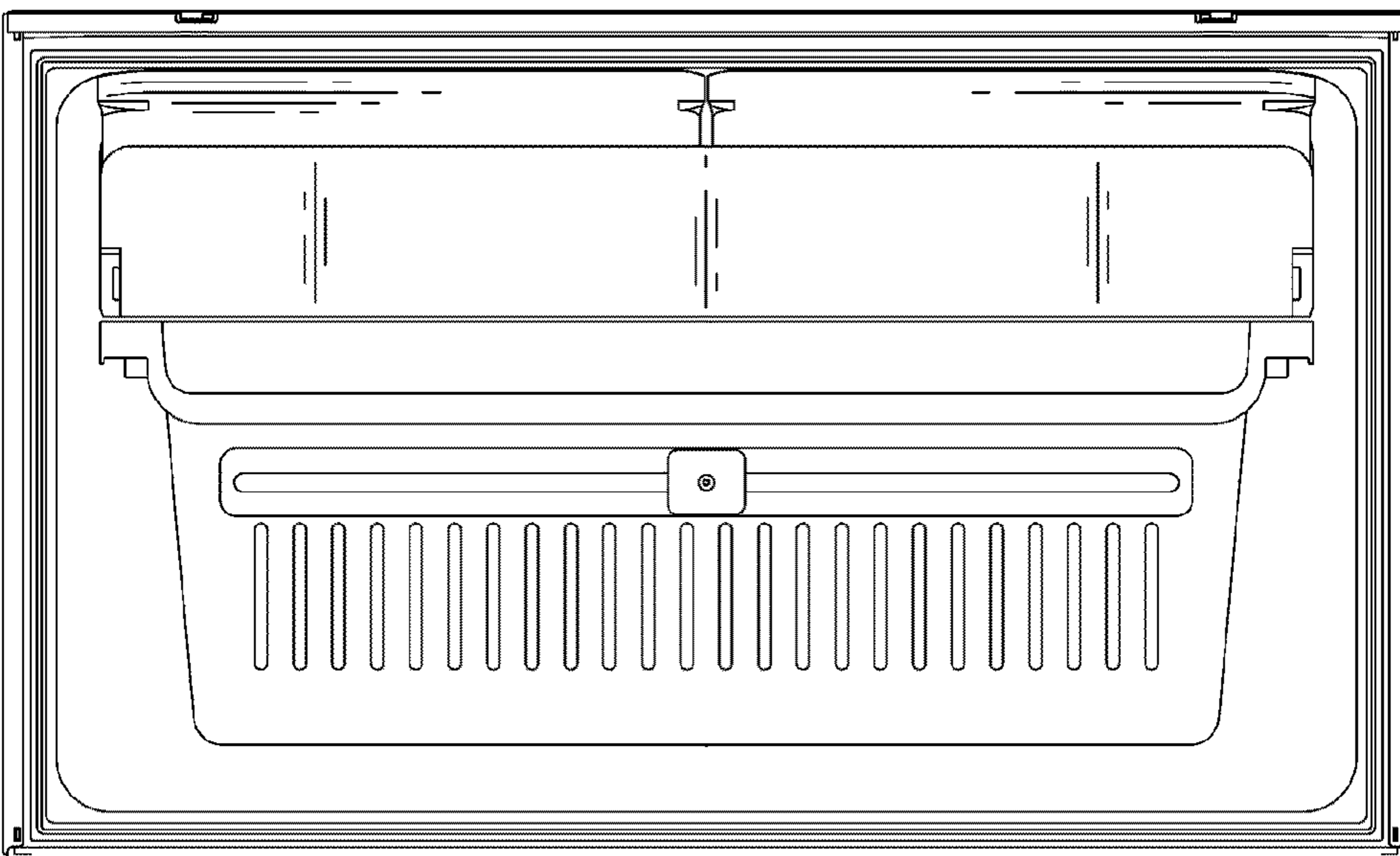


FIG. 4

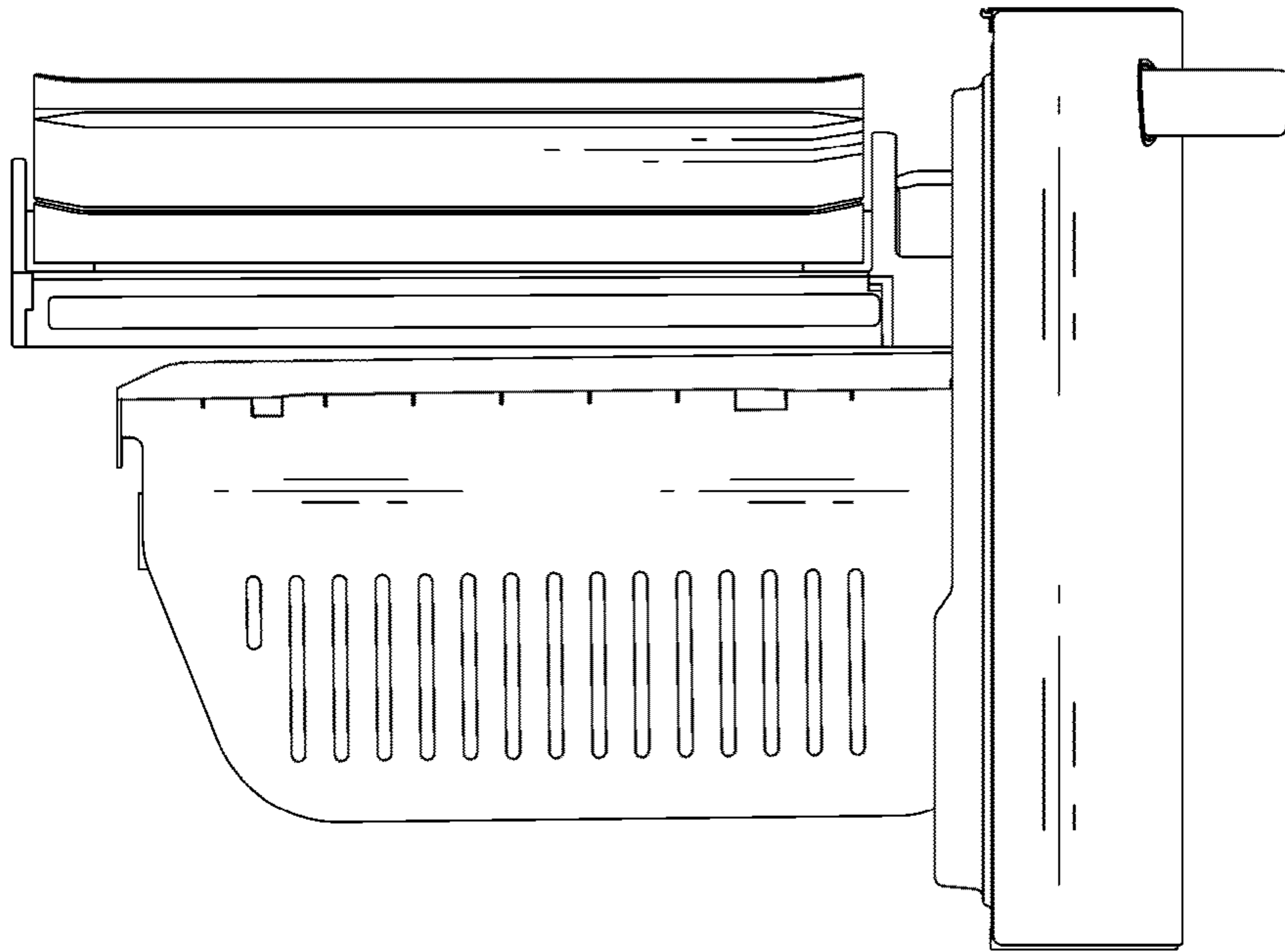


FIG. 5

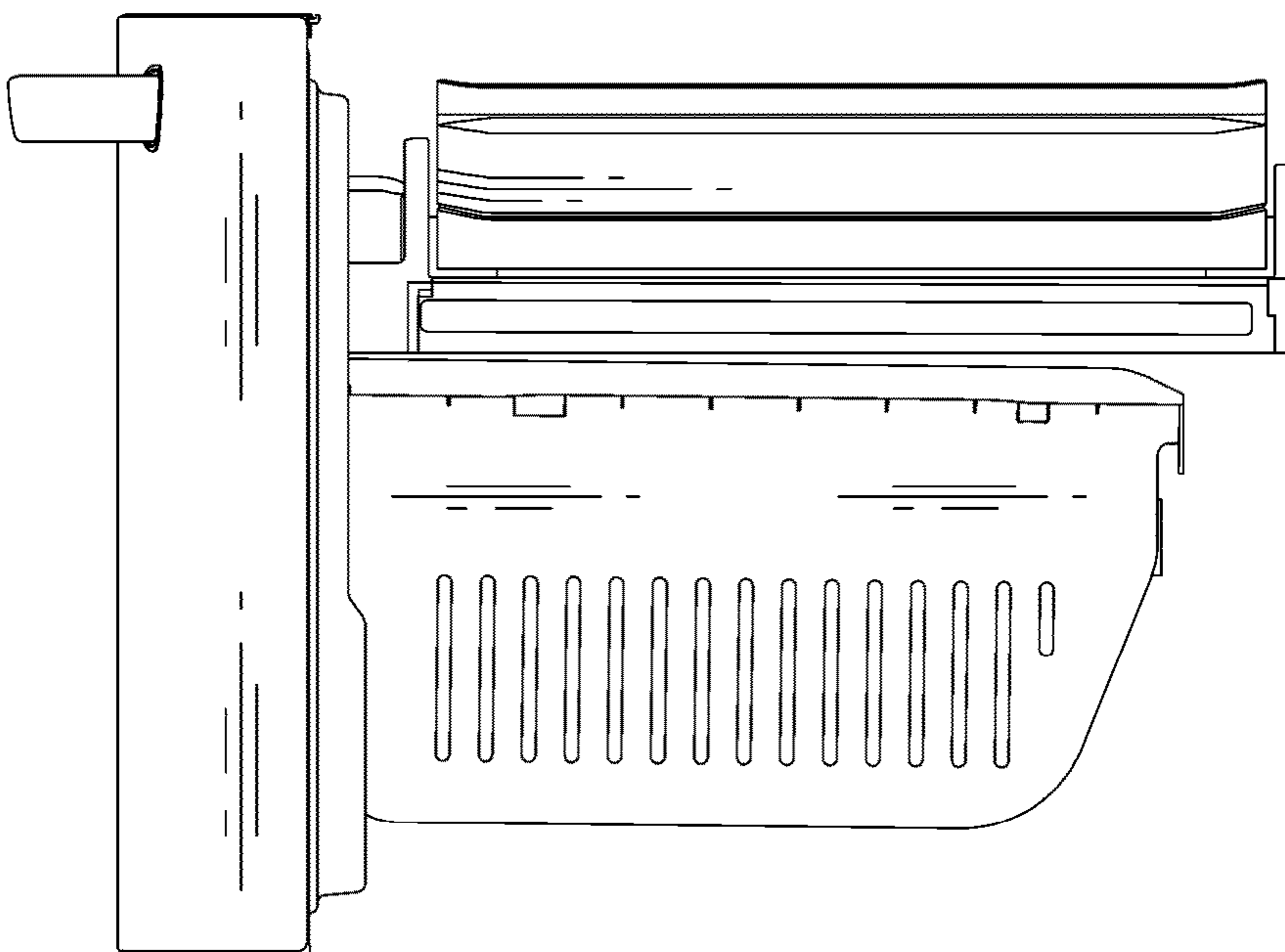


FIG. 6

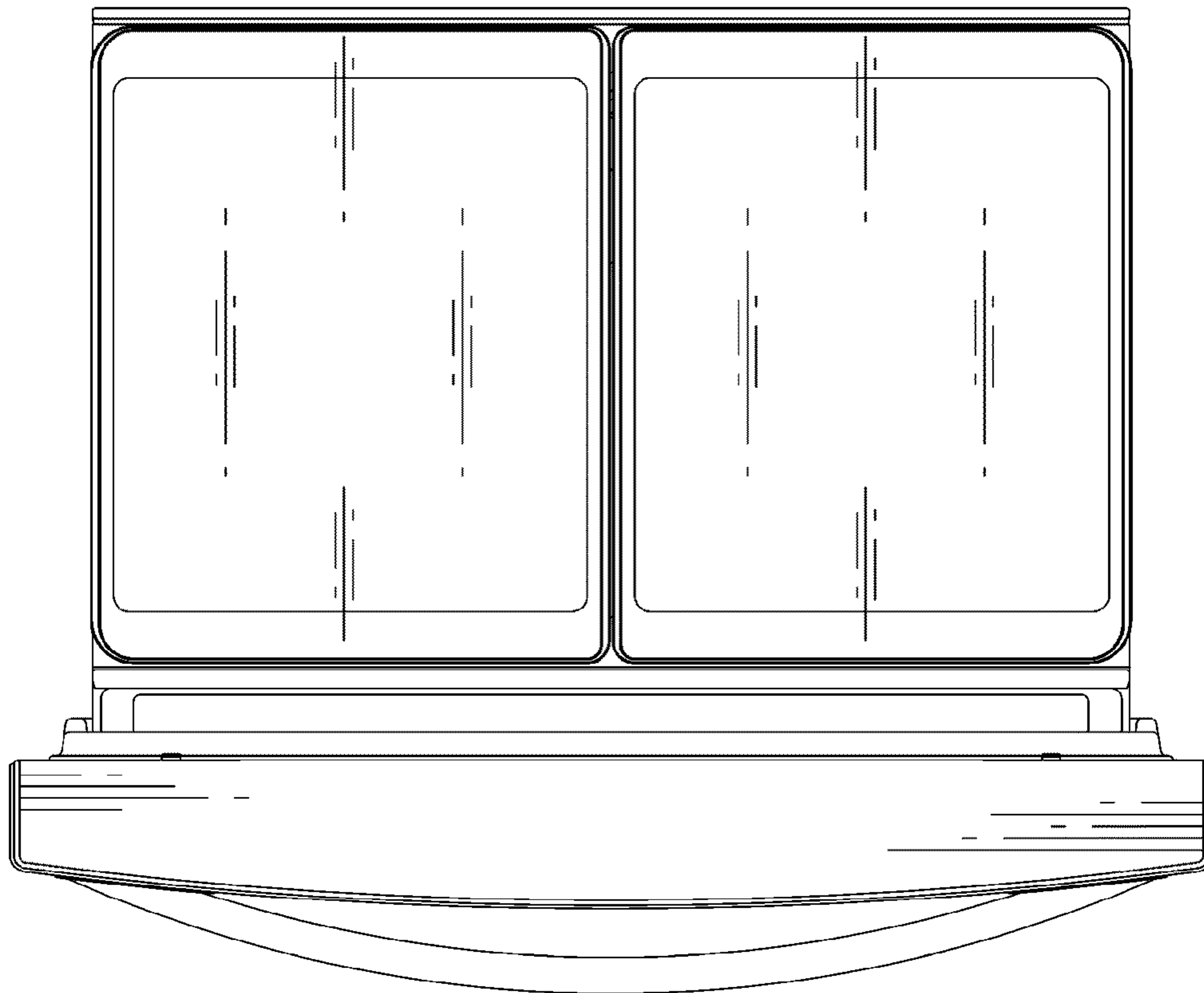


FIG. 7

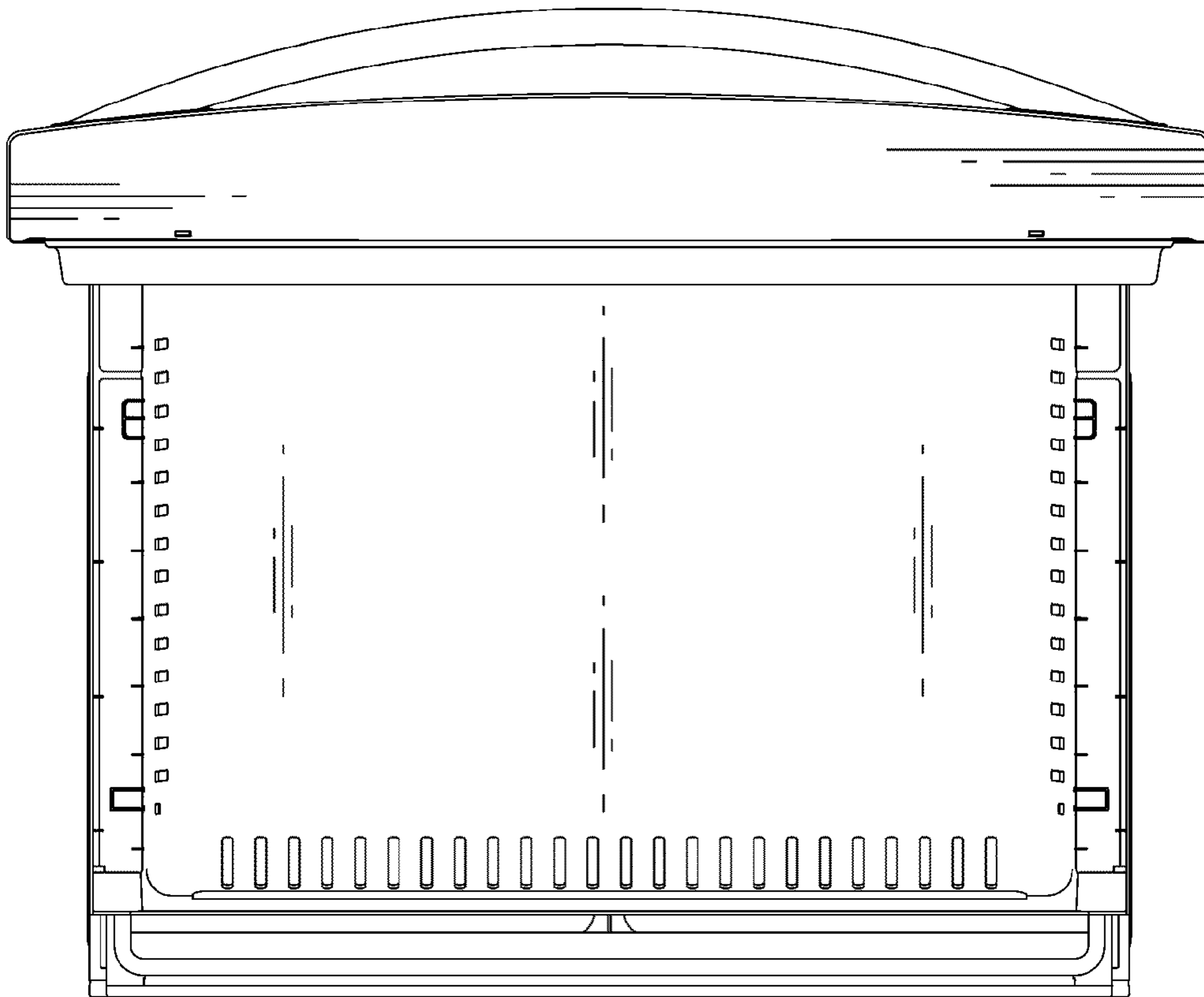


FIG. 8

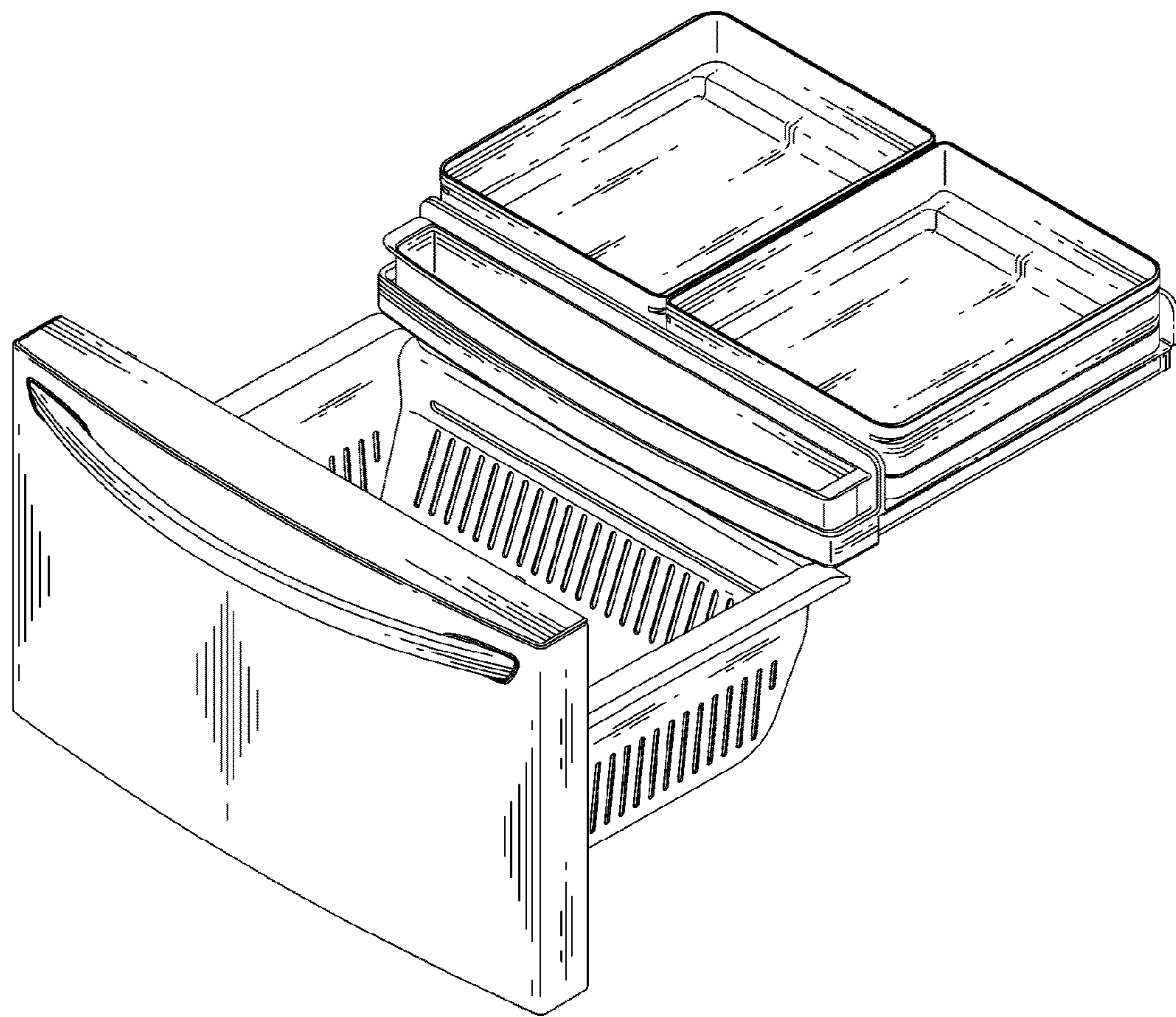


FIG. 9

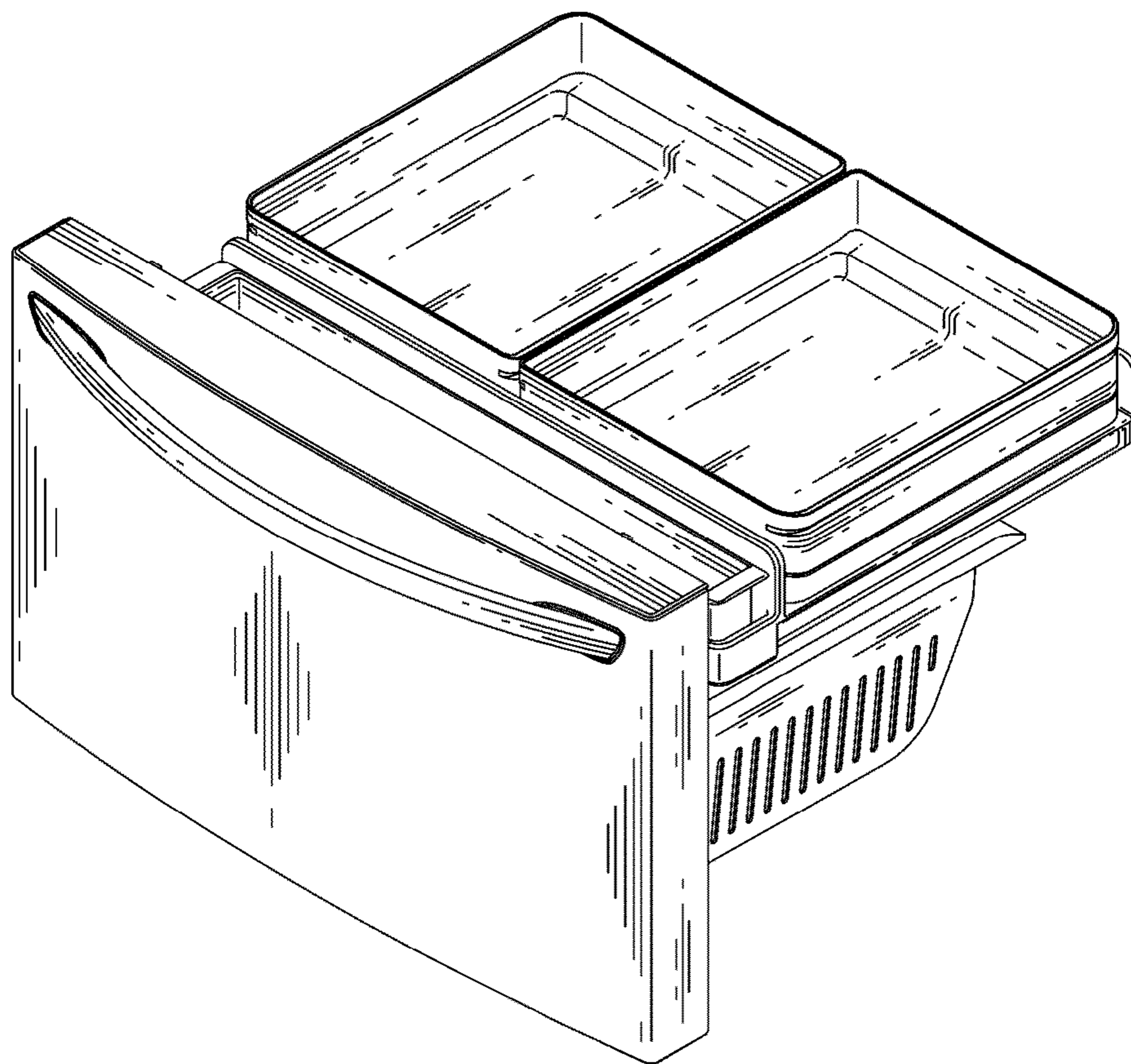


FIG. 10

