



US00D737866S

(12) **United States Design Patent**
Datema et al.

(10) **Patent No.:** **US D737,866 S**
(45) **Date of Patent:** **** Sep. 1, 2015**

(54) **MIXING DRUM**

3,073,580 A * 1/1963 Lendved 366/60
3,861,657 A * 1/1975 Sims 366/60
3,912,239 A * 10/1975 Ries 366/40

(71) Applicant: **Oshkosh Corporation**, Oshkosh, WI
(US)

(Continued)

(72) Inventors: **Bryan S. Datema**, Rochester, MN (US);
Thomas J. Harris, Oshkosh, WI (US);
Joel Urch, Oshkosh, WI (US)

OTHER PUBLICATIONS

Orbit Website Search, Apr. 21, 2015, 1/1 Designs-Questel Concrete
Mixing, shown in p. 1/1.*

(73) Assignee: **Oshkosh Corporation**, Oshkosh, WI
(US)

(Continued)

(**) Term: **14 Years**

Primary Examiner — Cynthia Ramirez

Assistant Examiner — Gino Colan

(21) Appl. No.: **29/477,768**

(74) *Attorney, Agent, or Firm* — Foley & Lardner LLP

(22) Filed: **Dec. 26, 2013**

(51) **LOC (10) Cl.** **15-09**

(52) **U.S. Cl.**

USPC **D15/28**

(58) **Field of Classification Search**

USPC D15/28, 10-27, 29-33; 366/40, 61,
366/136, 341, 18, 26, 44, 54, 53, 60, 110;
220/636, 669, 563, 23.87; 193/16, 22
CPC B28C 5/4268; B28C 5/2054; B28C 5/141;
B28C 5/1862; B28C 5/1887; E01C
2019/1095; E01C 2019/1086; E01C 19/1027;
B01F 7/04; B01F 2215/0047

See application file for complete search history.

(56) **References Cited**

U.S. PATENT DOCUMENTS

2,492,249 A * 12/1949 Willard et al. 366/44
2,618,472 A * 11/1952 Castendyck 366/44
2,705,621 A * 4/1955 MacKinney et al. 366/44
2,723,112 A * 11/1955 Smith 366/44
2,865,616 A * 12/1958 Masek 366/59
2,961,225 A * 11/1960 Graybill 366/48

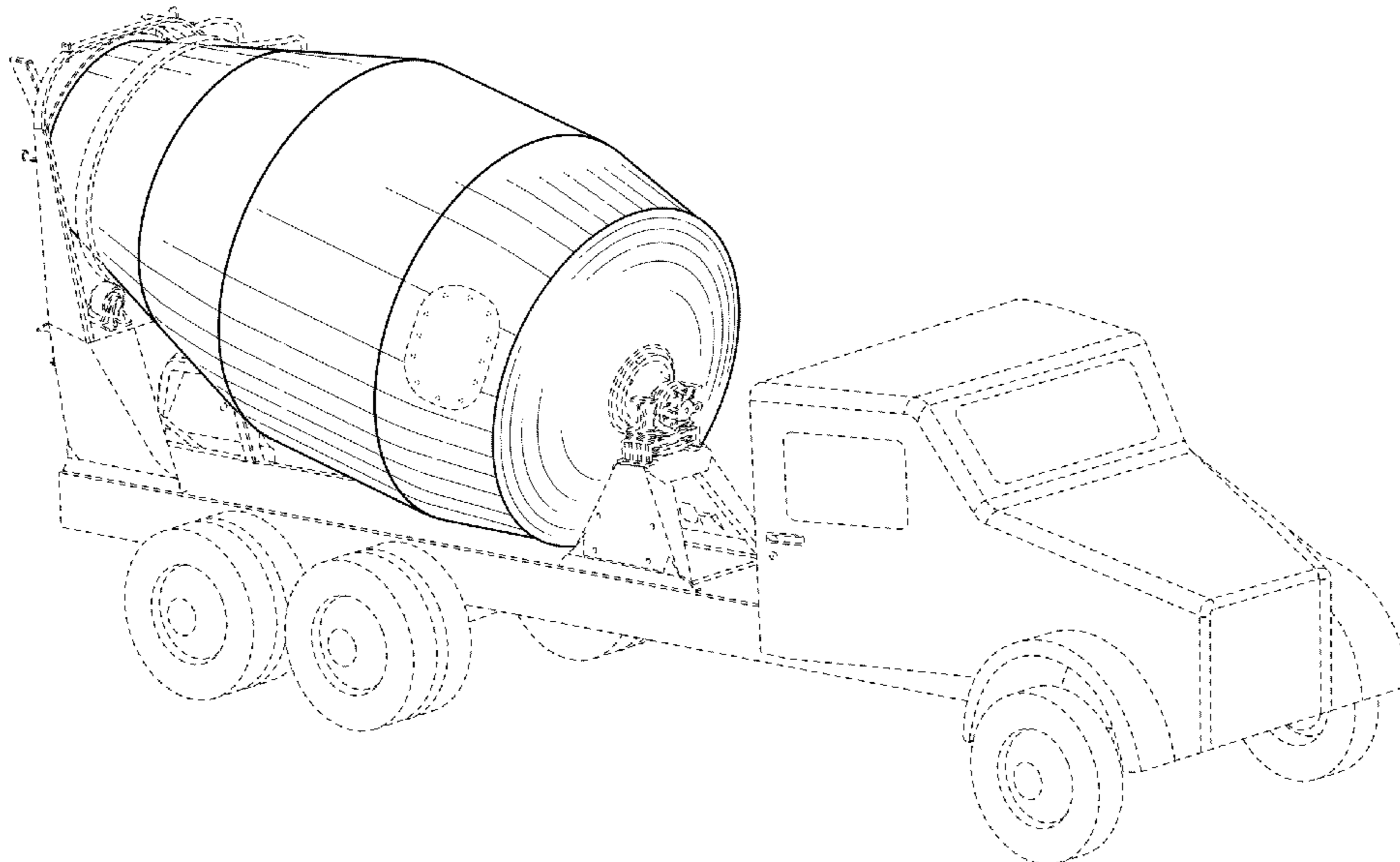
(57) **CLAIM**

We claim the ornamental design for a mixing drum, as shown
and described.

DESCRIPTION

FIG. 1 is a front perspective view of the claimed design;
FIG. 2 is a front view of the embodiment of FIG. 1;
FIG. 3 is a rear view of the embodiment of FIG. 1;
FIG. 4 is a left side view of the embodiment of FIG. 1;
FIG. 5 is a right side view of the embodiment of FIG. 1;
FIG. 6 is a top view of the embodiment of FIG. 1;
FIG. 7 is a bottom view of the embodiment of FIG. 1; and,
FIG. 8 is a front sectional view of FIG. 1 taken along line 8-8.
The ornamental design which is claimed is shown in solid
lines in the figures. Broken lines are for illustrative purposes
only and form no part of the claimed design. Broken lines
formed by equal length dashes show unclaimed portions of
the design. Broken lines formed of unequal length dashes (i.e.
dash-dot) show boundaries between claimed and unclaimed
portions of the design. Broken lines having a jagged element
show that no particular length of the portion is claimed.

1 Claim, 7 Drawing Sheets



(56)

References Cited

U.S. PATENT DOCUMENTS

3,944,190	A *	3/1976	Dunmire	366/26
4,212,542	A *	7/1980	Beekenkamp	366/54
4,544,275	A *	10/1985	Hudelmaier	366/30
5,209,003	A	5/1993	Maxfield et al.	
5,697,741	A	12/1997	Harris et al.	
6,264,361	B1 *	7/2001	Kelley	366/349
6,578,694	B2	6/2003	Harris et al.	
6,957,908	B1 *	10/2005	O'Connell et al.	366/41
6,966,687	B1 *	11/2005	Elefsrud	366/26
7,489,098	B2	2/2009	Harris et al.	
7,578,379	B2	8/2009	Gillmore et al.	
7,648,015	B2	1/2010	Gillmore et al.	
7,683,564	B2	3/2010	Harris et al.	
7,850,364	B2	12/2010	Harris et al.	
7,896,538	B2 *	3/2011	Wright	366/61
7,931,397	B2 *	4/2011	Lindblom et al.	366/61
8,083,394	B2 *	12/2011	Fischer et al.	366/41

8,152,216	B2	4/2012	Howell	
8,613,543	B2	12/2013	Datema	
8,646,965	B2	2/2014	Datema	
2005/0213422	A1 *	9/2005	Silbernagel	366/28
2007/0064518	A1 *	3/2007	Goff et al.	366/19
2007/0159915	A1 *	7/2007	Daly et al.	366/54
2007/0217281	A1 *	9/2007	McAnally et al.	366/53
2008/0205188	A1 *	8/2008	Lindblom et al.	366/44
2008/0225632	A1 *	9/2008	Khoury	366/59
2008/0259716	A1 *	10/2008	Khoury	366/57
2010/0051062	A1 *	3/2010	Fischer et al.	134/23

OTHER PUBLICATIONS

Google Image Search, Apr. 21, 2015, Transit Concrete Mixing, shown in p. 1/1.*

U.S. Appl. No. 13/835,645, filed Mar. 15, 2013, Harris.

U.S. Appl. No. 14/098,143, filed Dec. 5, 2013, Bhatia.

* cited by examiner

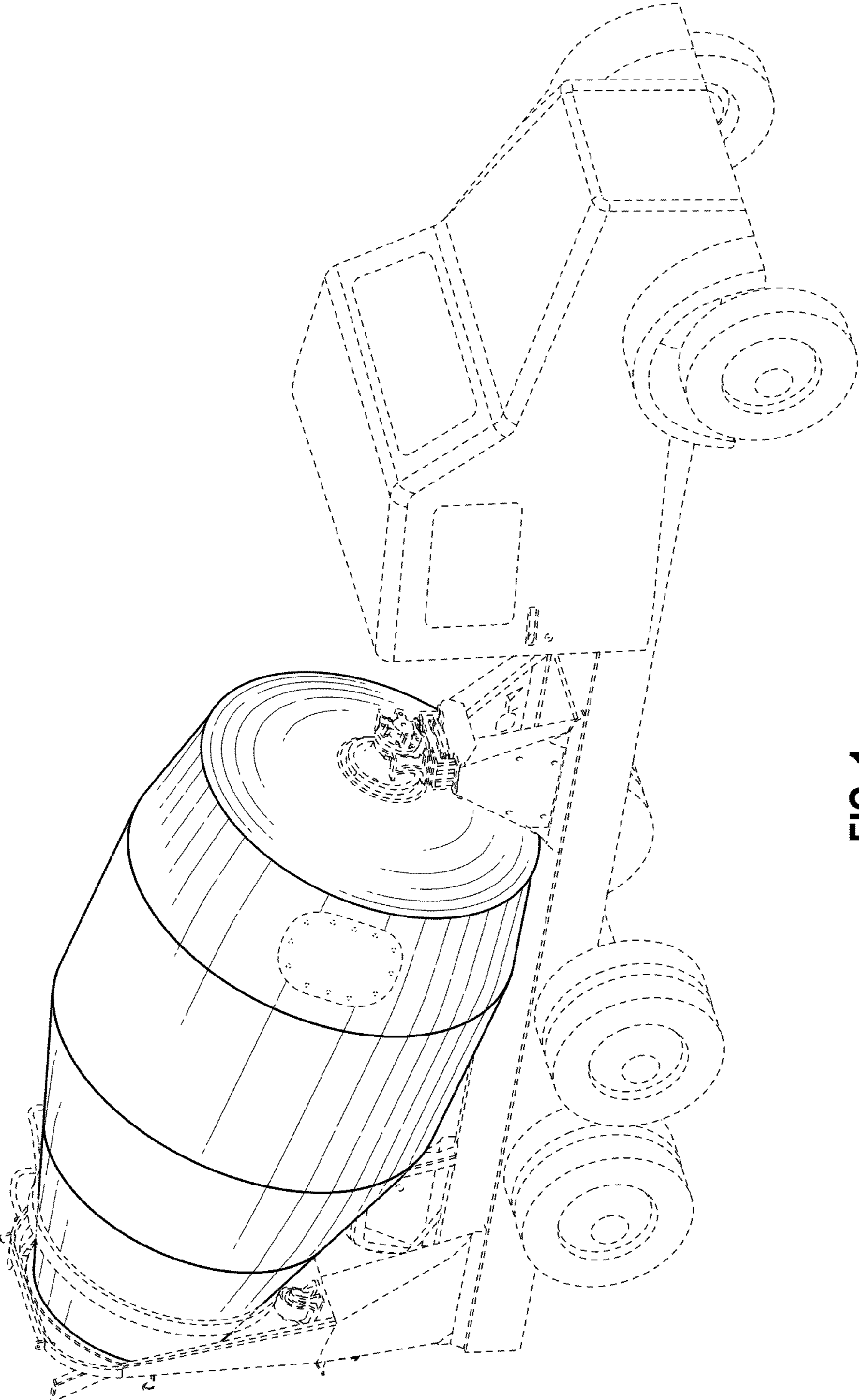


FIG. 1

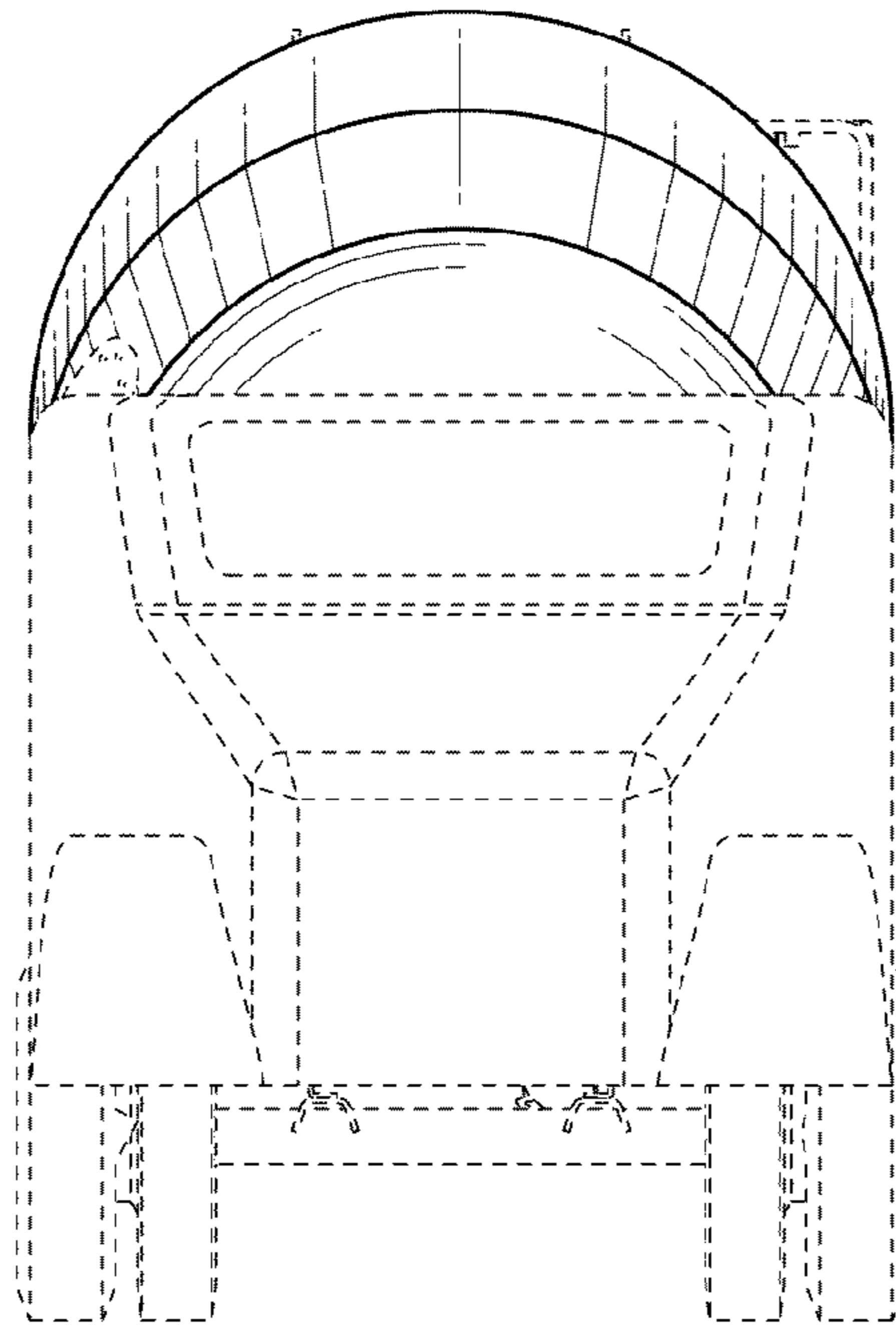


FIG. 2

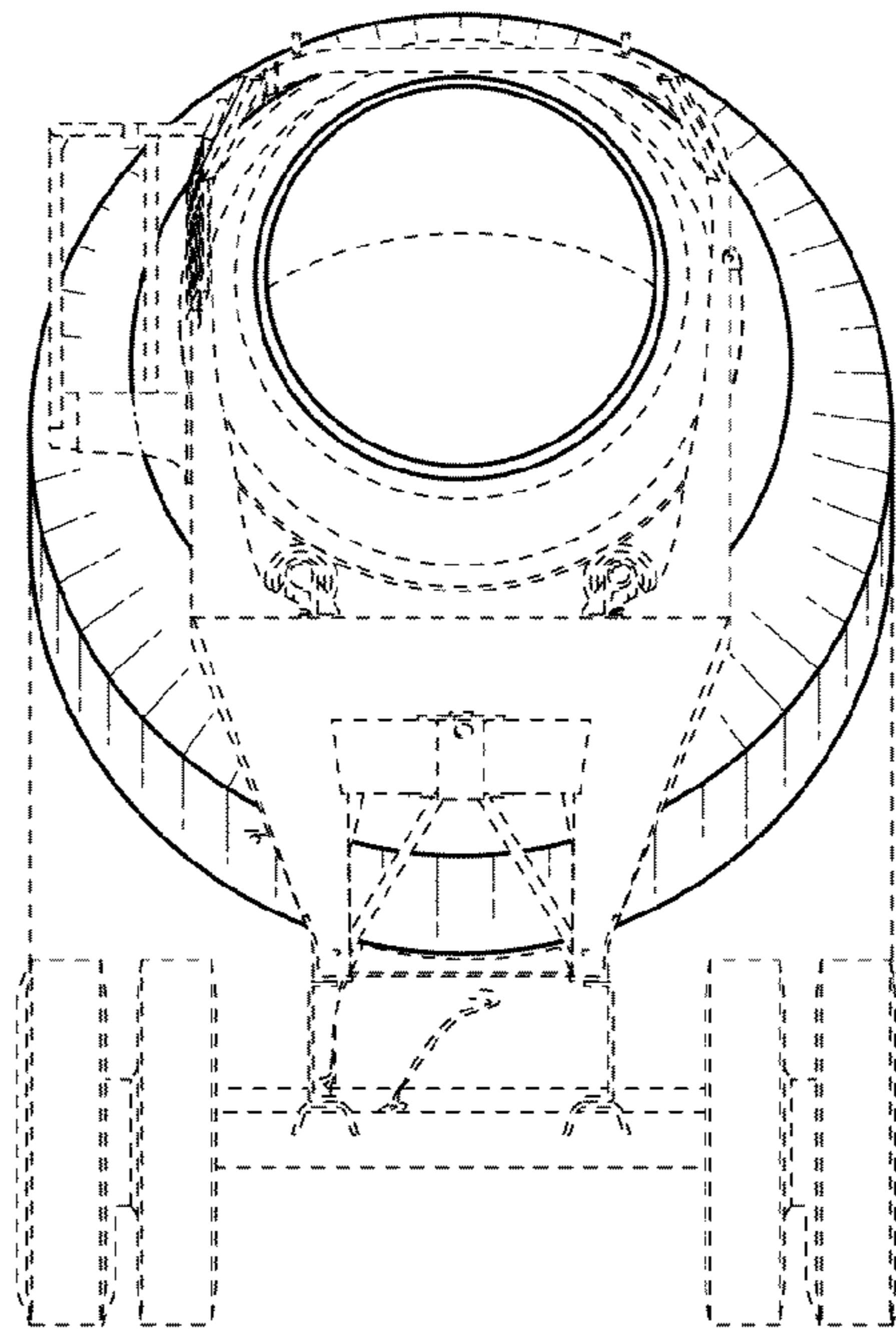


FIG. 3

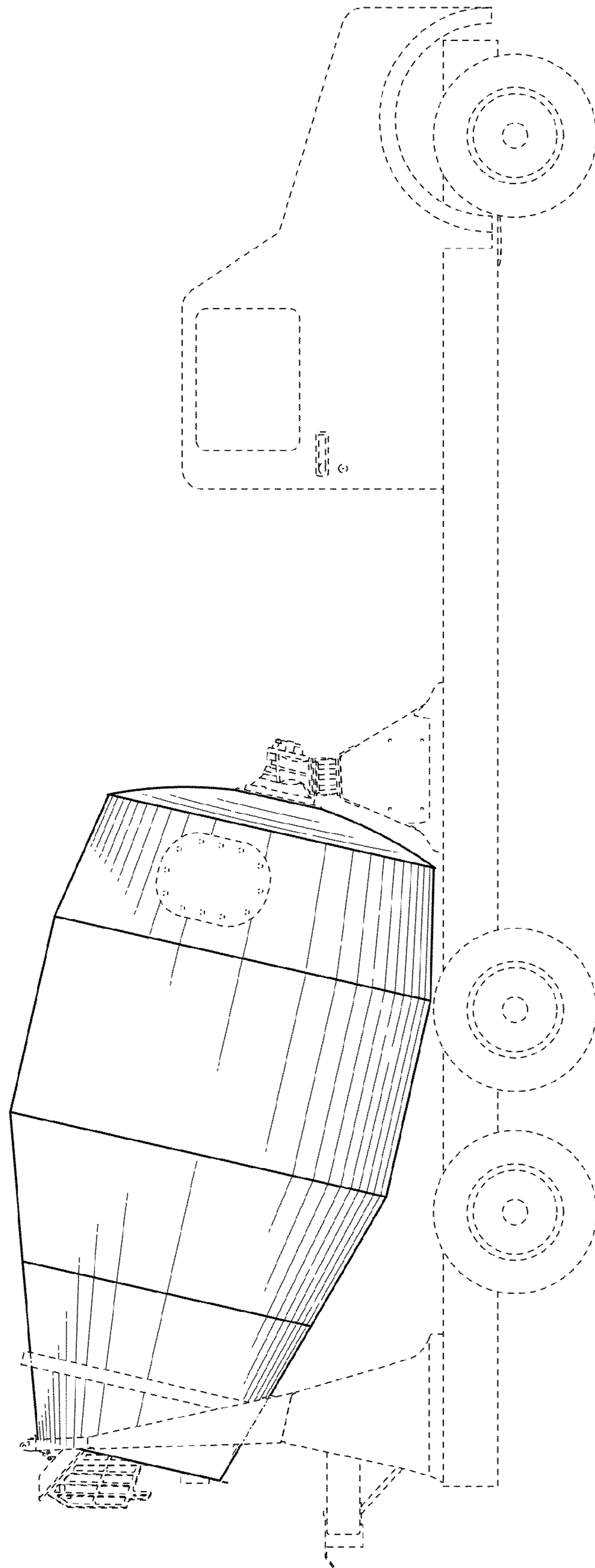


FIG. 4

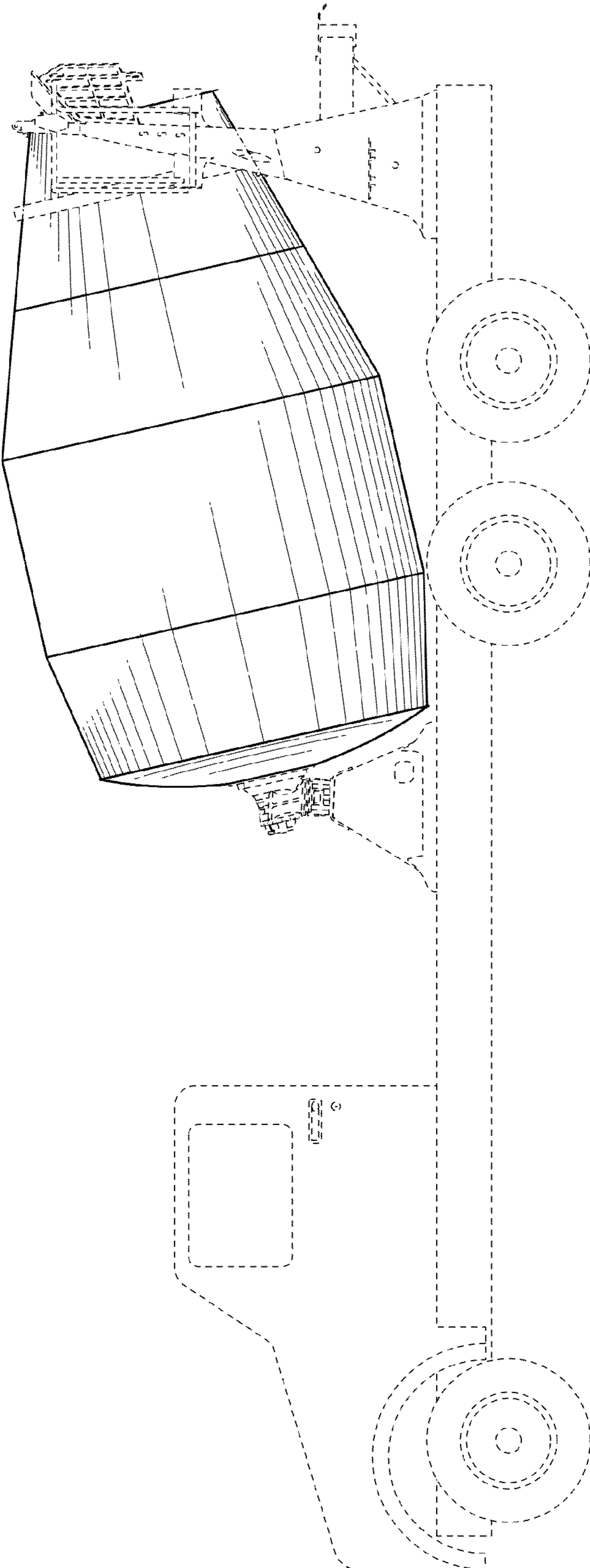


FIG. 5

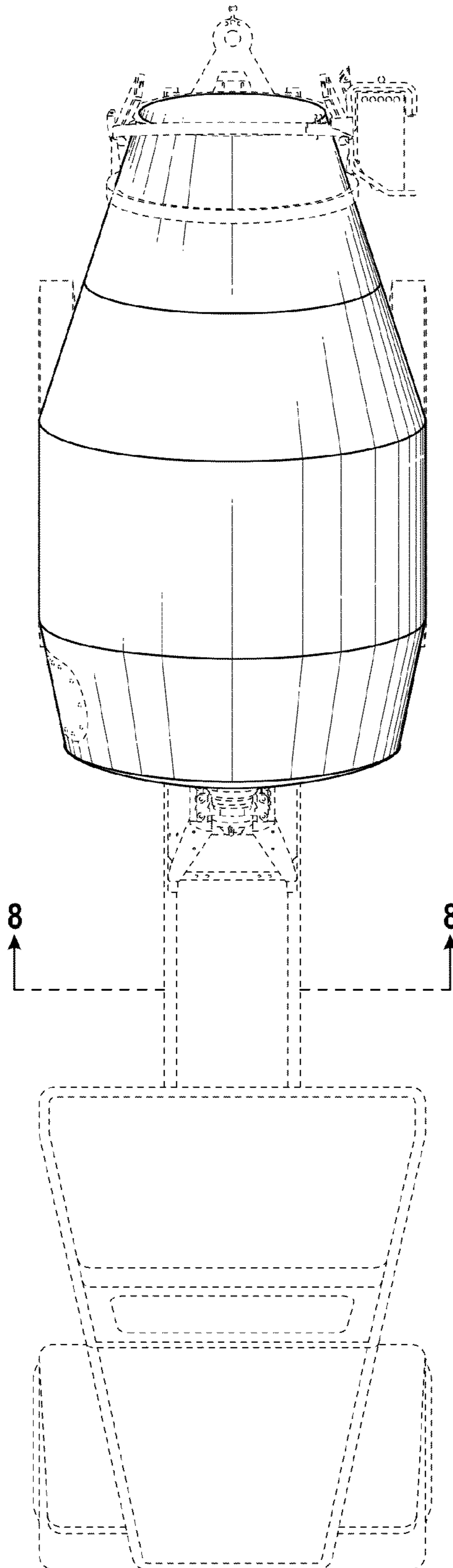


FIG. 6

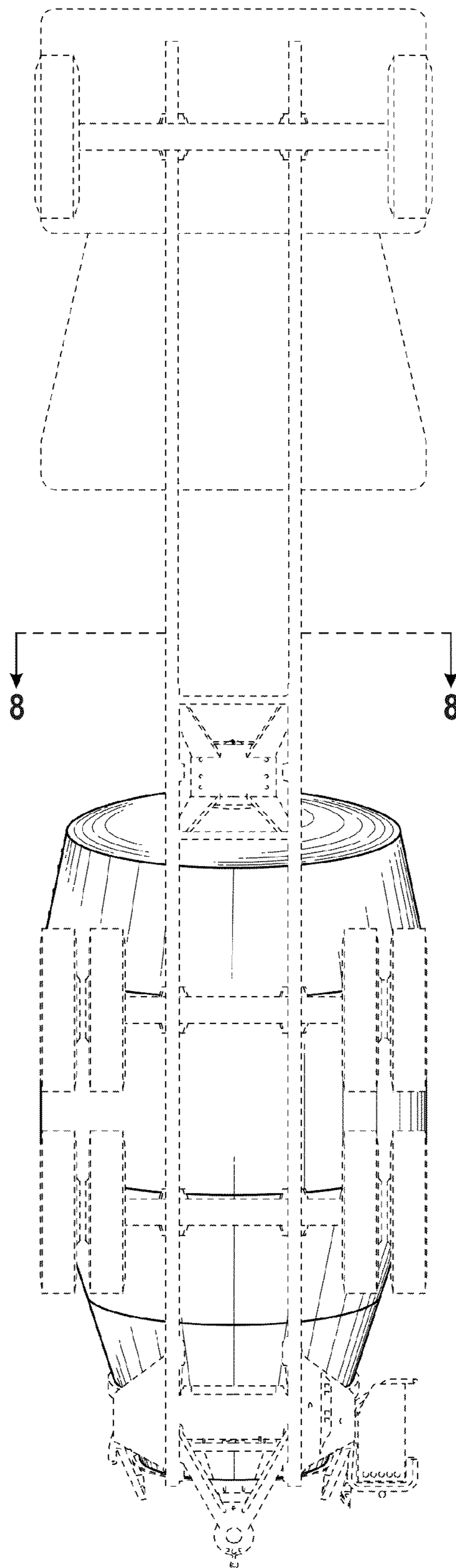


FIG. 7

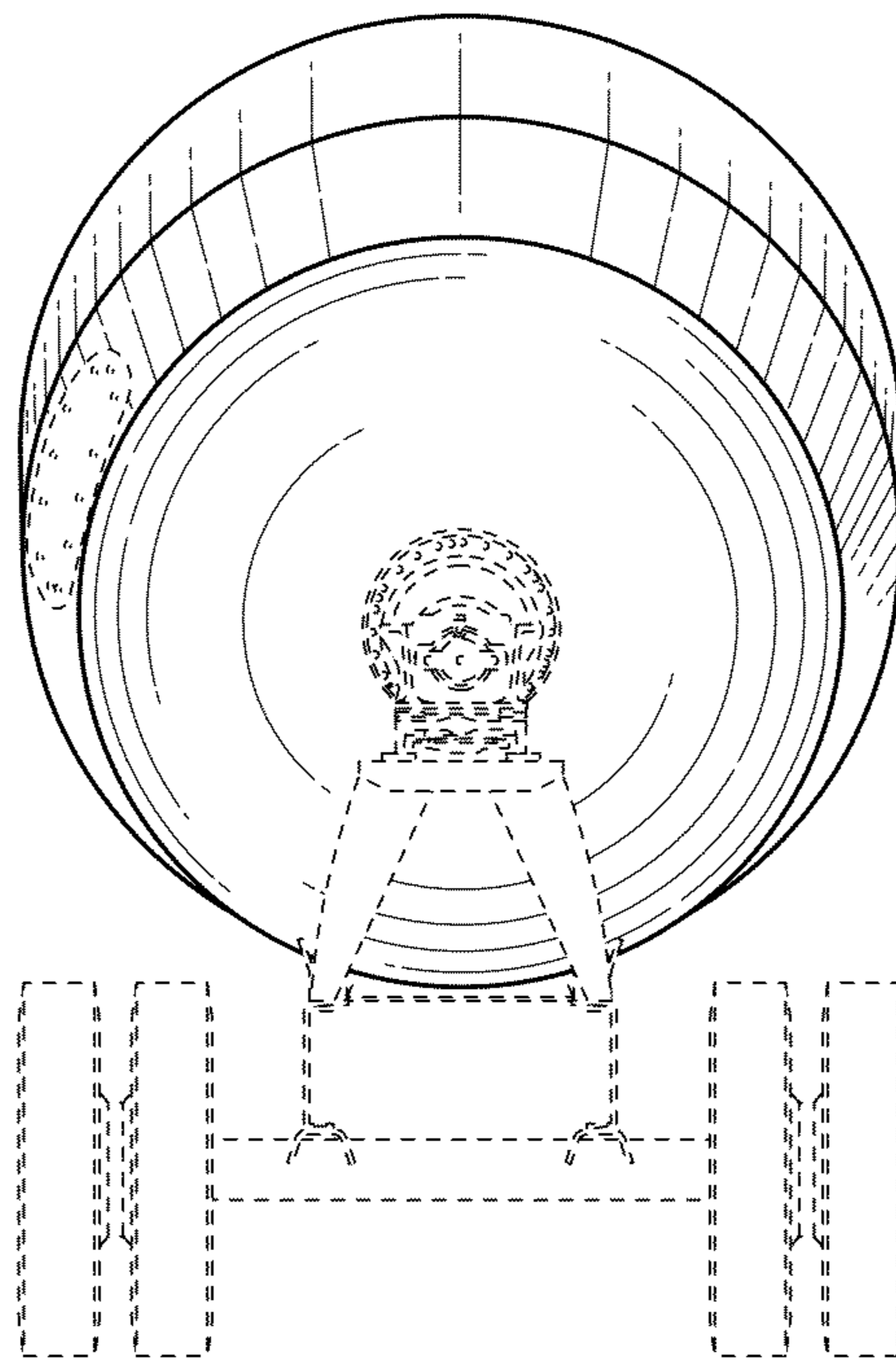


FIG. 8