



US00D737863S

(12) **United States Design Patent**
Singh et al.

(10) **Patent No.:** **US D737,863 S**
(45) **Date of Patent:** **** Sep. 1, 2015**

(54) **SUPPORT BRACKET**

(71) Applicant: **General Electric Company,**
Schenectady, NY (US)

(72) Inventors: **Trideep Singh,** Bangalore (IN); **Pranav Raina,** Bangalore (IN); **Vijayaselvan Jayakar,** Bangalore (IN); **Rohan Ravindra Pande,** Bangalore (IN); **Lavangouda Patil,** Bangalore (IN)

(73) Assignee: **General Electric Company,**
Schenectady, NY (US)

(**) Term: **14 Years**

(21) Appl. No.: **29/495,027**

(22) Filed: **Jun. 26, 2014**

(51) **LOC (10) Cl.** **15-02**

(52) **U.S. Cl.**
USPC **D15/7; D8/354**

(58) **Field of Classification Search**
USPC D15/7-9; D23/231, 232, 225; 417/60 M, 417/235 M, 265 M, 321 M, 355 M, 358 M, 417/363 M, 359 M, 410.1 M, 415, 416, 405, 417/900; 60/408, 412; 184/26-37; 415/140-147; 123/495, 509; D8/354, D8/349

See application file for complete search history.

(56) **References Cited**

U.S. PATENT DOCUMENTS

D55,628 S *	7/1920	Mason	D15/5
D238,963 S *	2/1976	Vinci	D15/9
D250,805 S *	1/1979	Mygind et al.	D8/380
D261,654 S *	11/1981	Feuling	D15/5
D263,730 S *	4/1982	Oribin	D21/839
D273,297 S *	4/1984	Nolff	D15/5
D283,896 S *	5/1986	Evans et al.	D15/5

D322,790 S *	12/1991	Bekius	D15/7
D330,154 S *	10/1992	Wagner	D8/354
D354,063 S *	1/1995	Ekholm et al.	D15/7
D357,923 S *	5/1995	Peterson et al.	D15/9.1
D362,384 S *	9/1995	Middlebrook	D8/354
D486,501 S *	2/2004	Hawkins et al.	D15/7
D490,820 S *	6/2004	Schoemneyr	D15/7
D537,844 S *	3/2007	Chu	D15/9
D563,435 S *	3/2008	Charlet	D15/7
D564,863 S *	3/2008	Grevis et al.	D8/354
D572,571 S *	7/2008	Terada et al.	D8/354
D589,061 S *	3/2009	Chu	D15/7
D600,720 S *	9/2009	Iwanicki	D15/5
D613,634 S *	4/2010	Chu	D15/9
D619,879 S *	7/2010	McCarthy et al.	D8/354
D624,805 S *	10/2010	Clarke	D8/354
D625,168 S *	10/2010	Chen	D8/354
D629,422 S *	12/2010	Fujita et al.	D15/7
D645,058 S *	9/2011	Benoit	D15/9
D691,461 S *	10/2013	Waugh et al.	D8/354

* cited by examiner

Primary Examiner — Mark Goodwin

(74) *Attorney, Agent, or Firm* — GE Global Patent Operation

(57) **CLAIM**

The ornamental design for a support bracket, as shown and described.

DESCRIPTION

FIG. 1 is a perspective view of a support bracket showing my new design;

FIG. 2 is a front elevational view thereof;

FIG. 3 is a rear elevational view thereof;

FIG. 4 is a left side elevational view thereof;

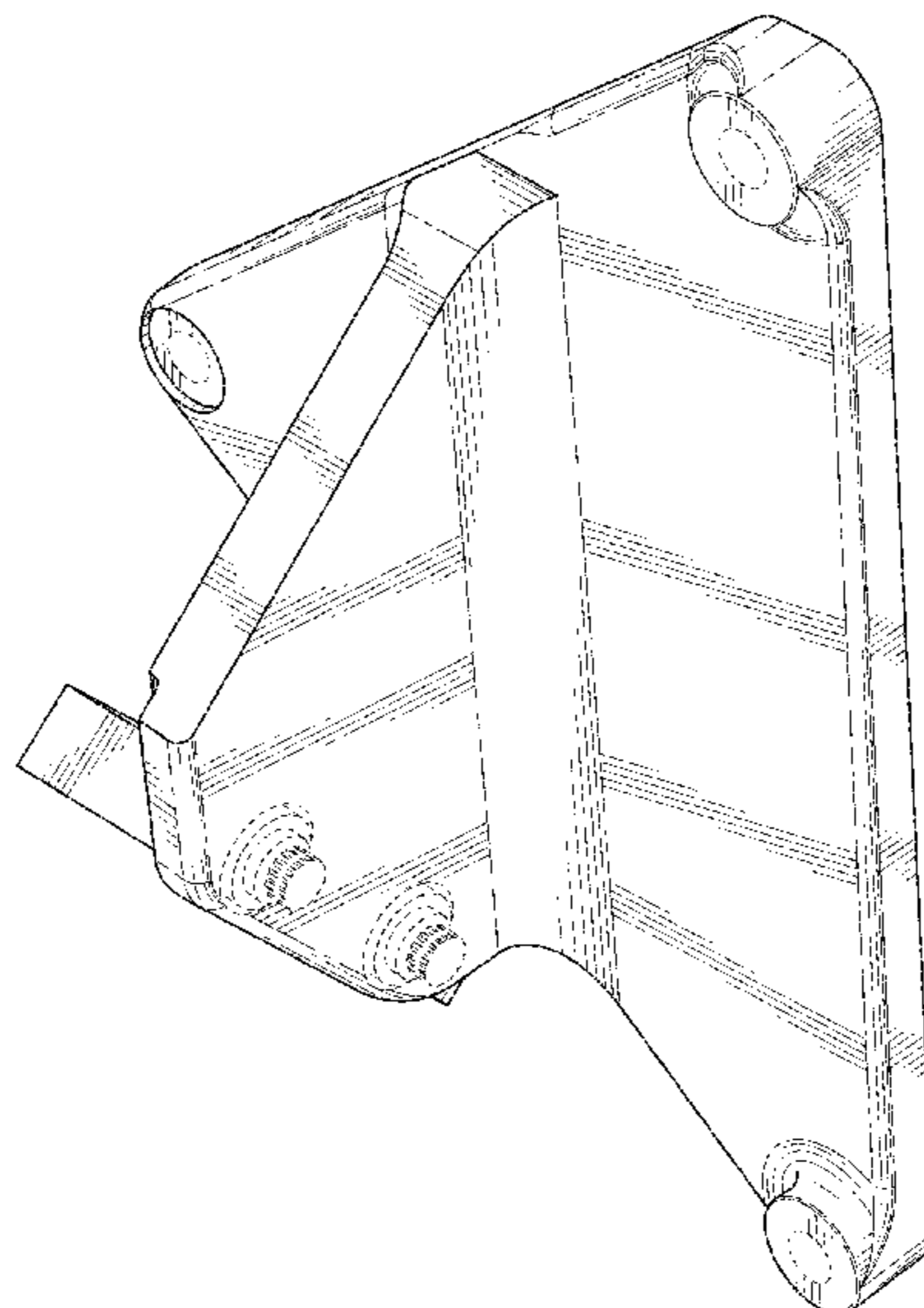
FIG. 5 is a right side elevational view thereof;

FIG. 6 is a top plan view thereof; and,

FIG. 7 is a bottom plan view thereof.

The broken line portion of the figures is included to show unclaimed subject matter only and forms no part of the claimed design.

1 Claim, 6 Drawing Sheets



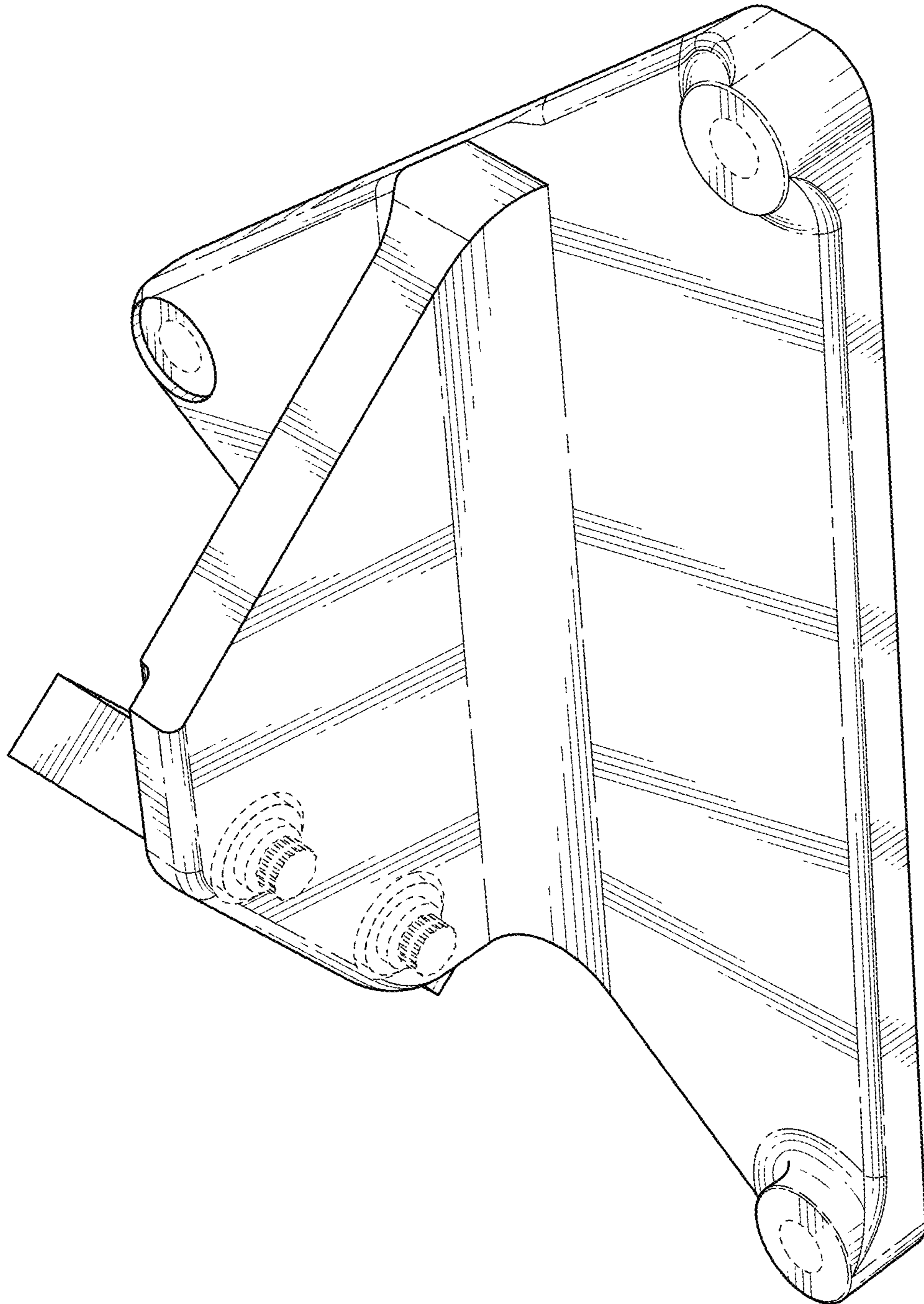


FIG. 1

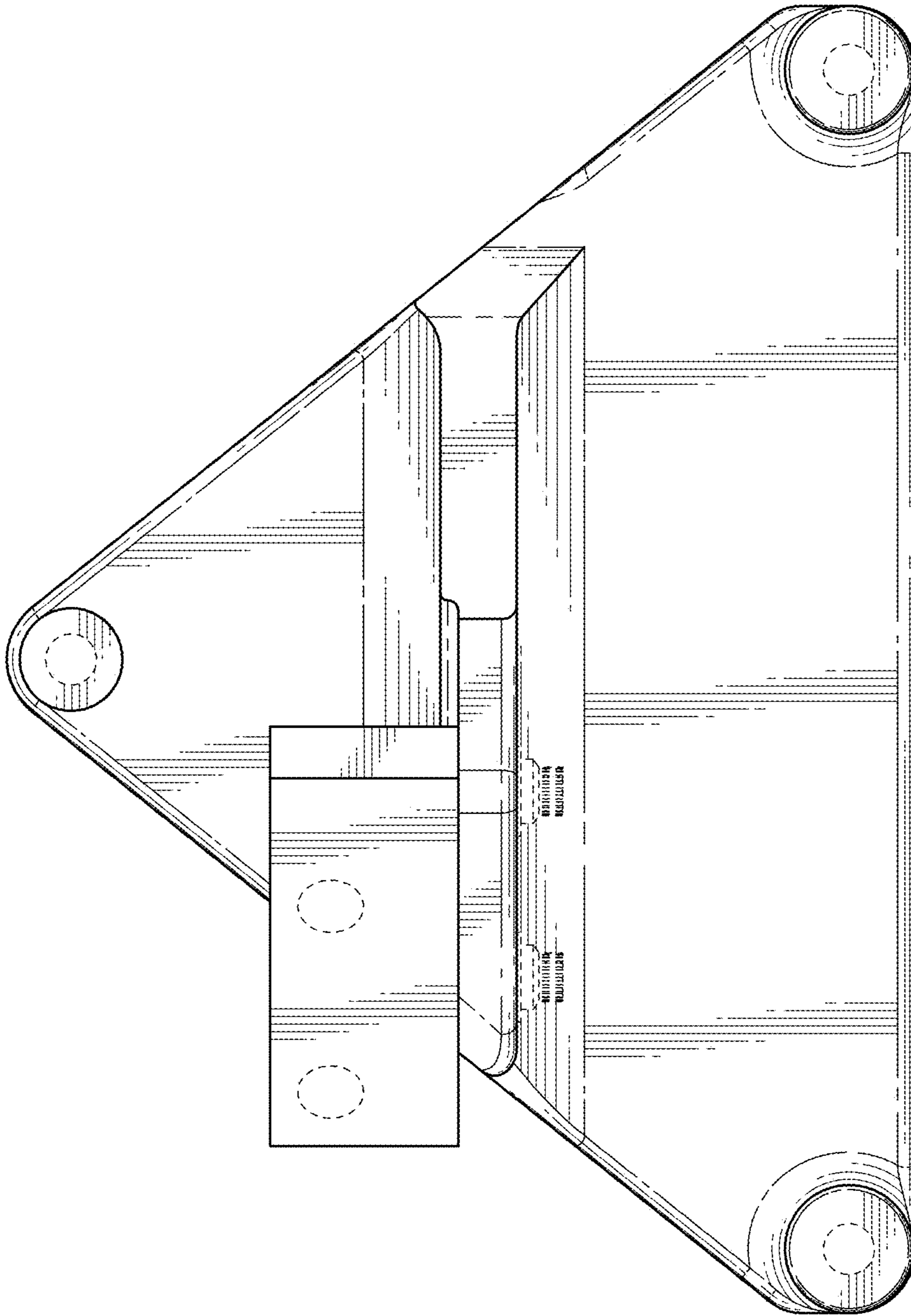


FIG. 2

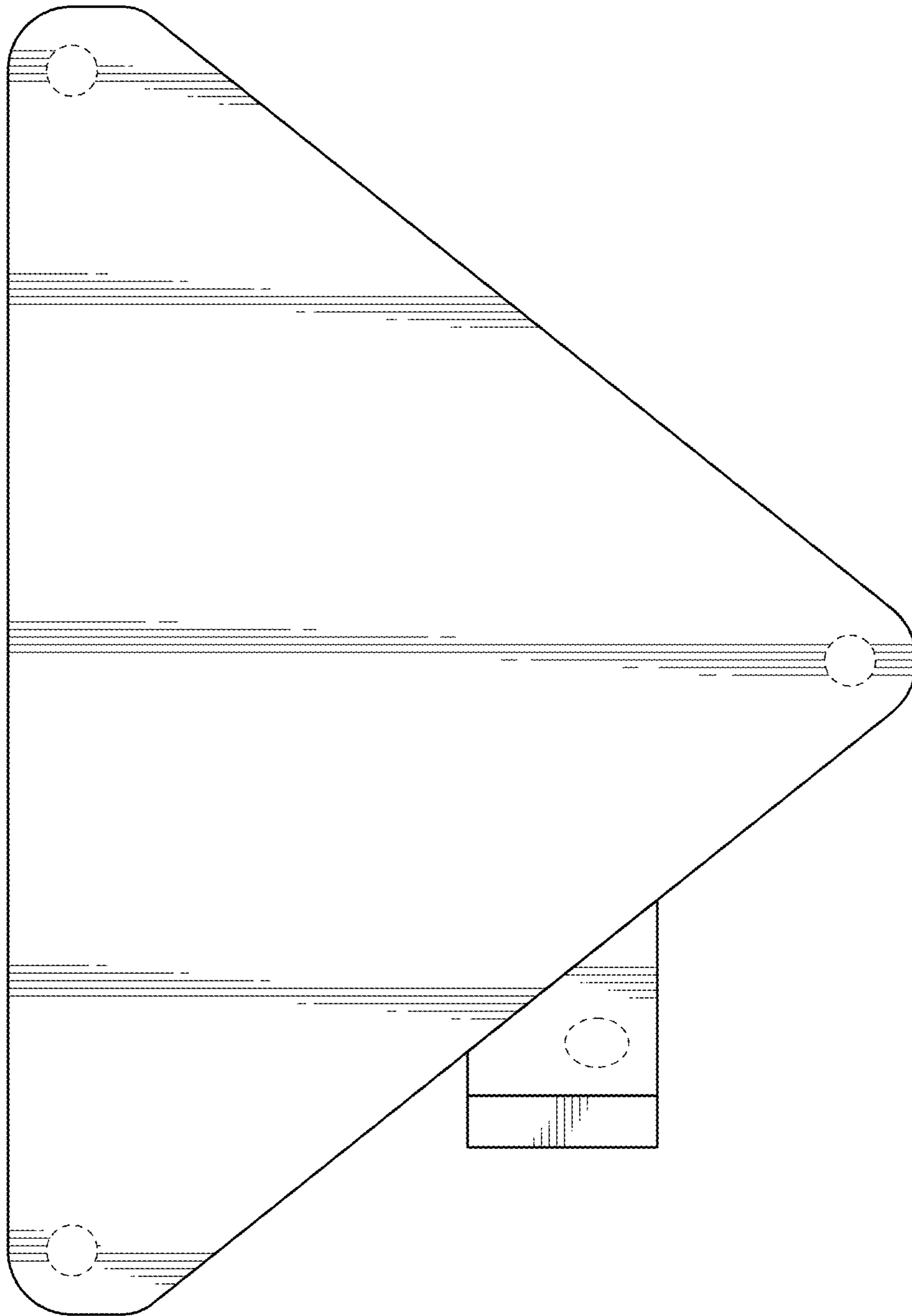


FIG. 3

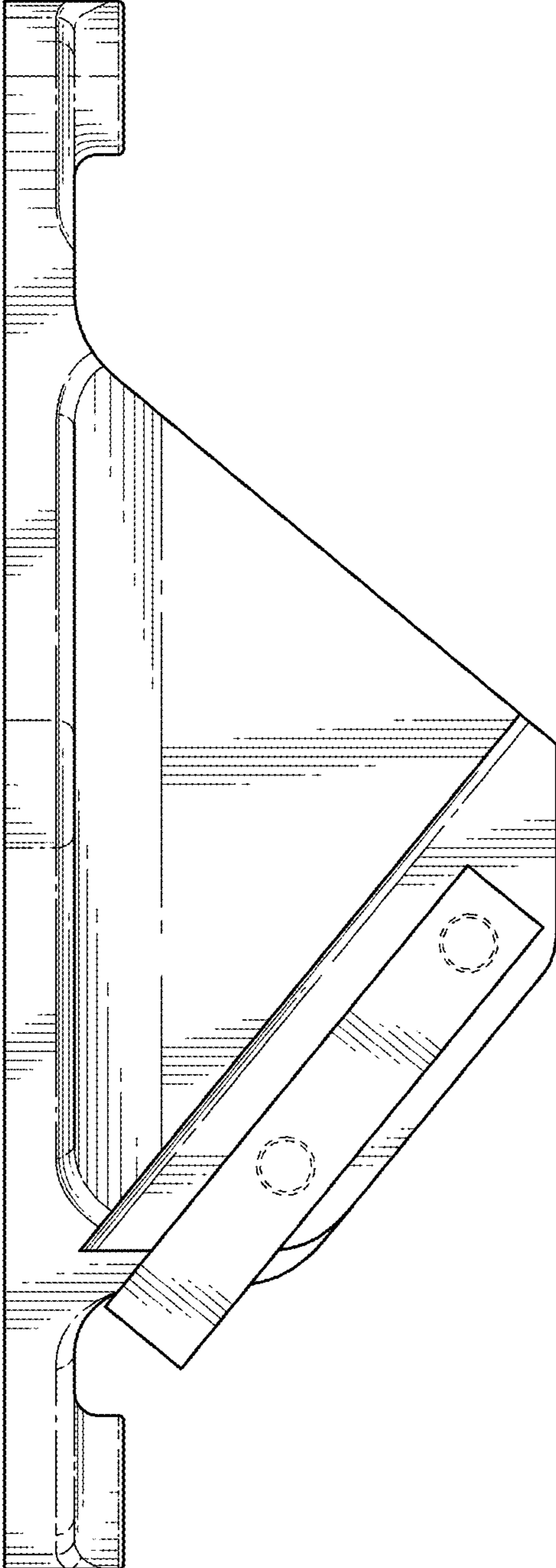


FIG. 4

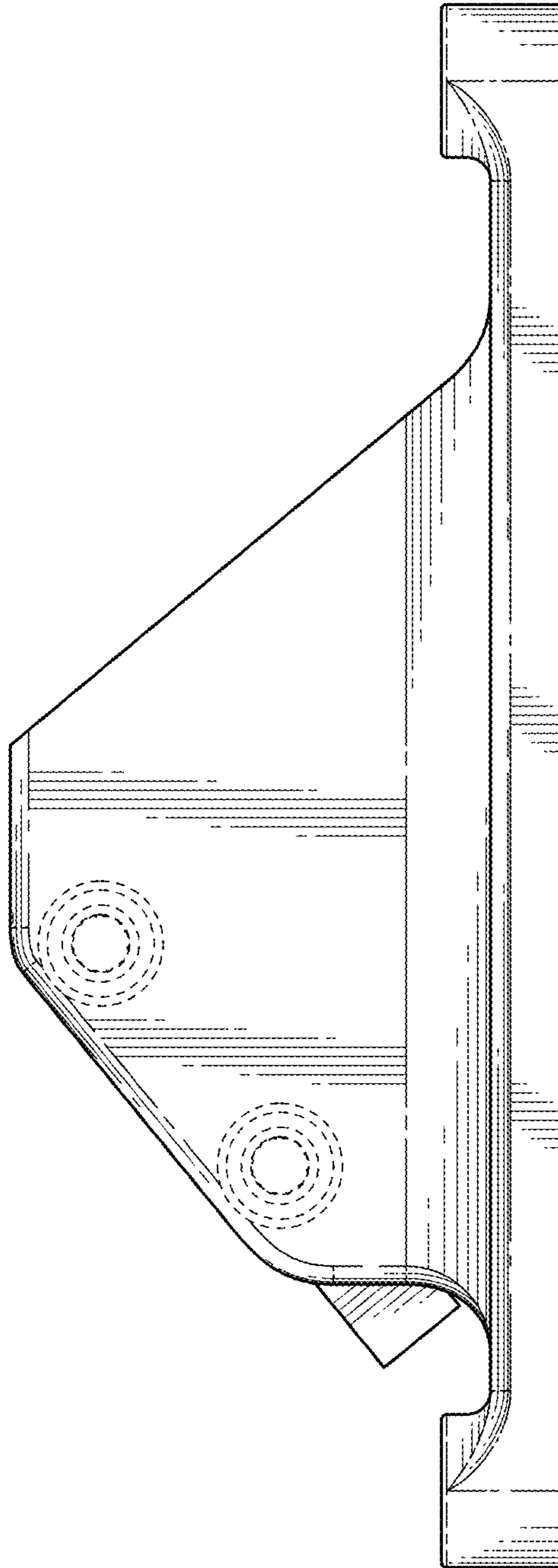


FIG. 5

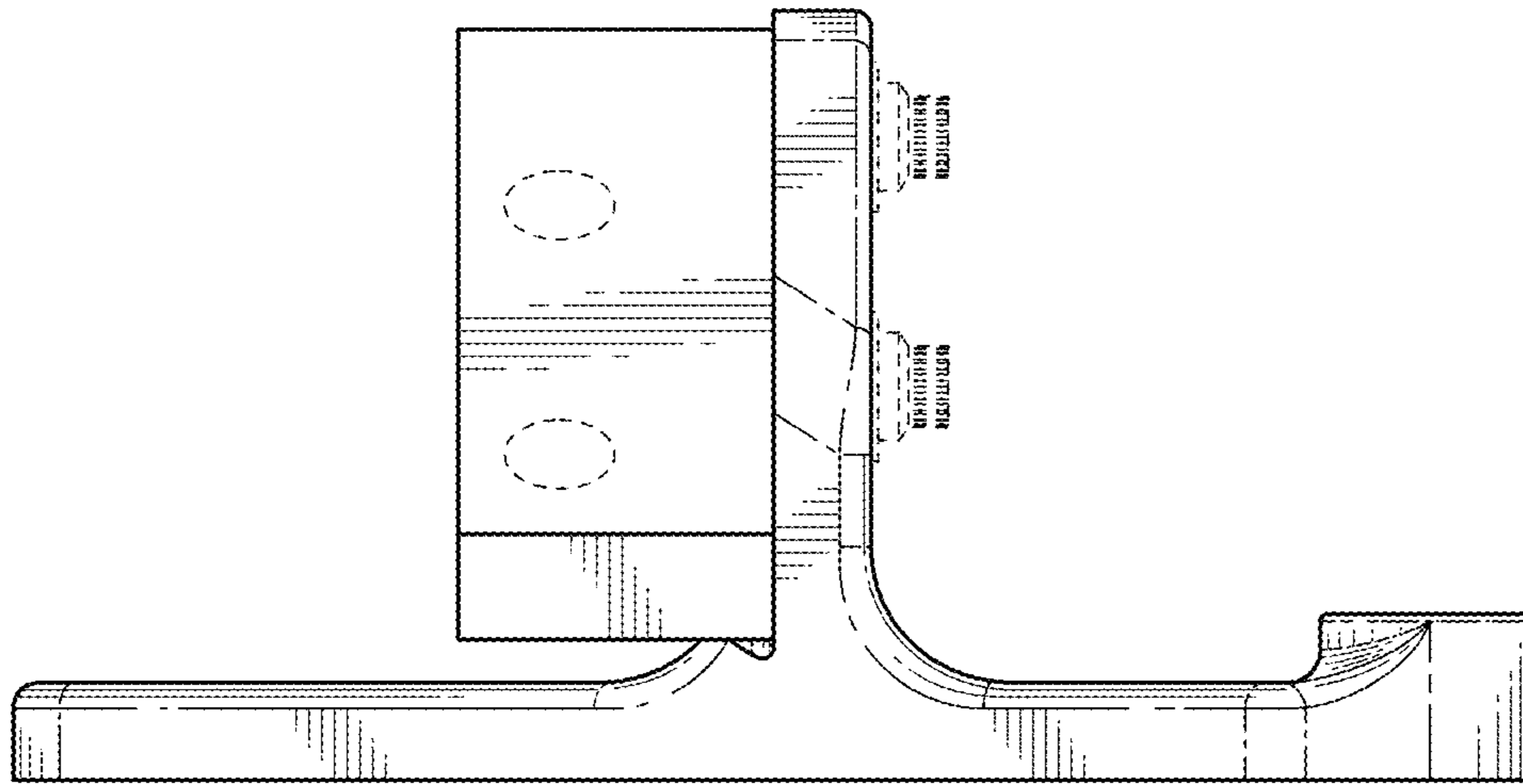


FIG. 6

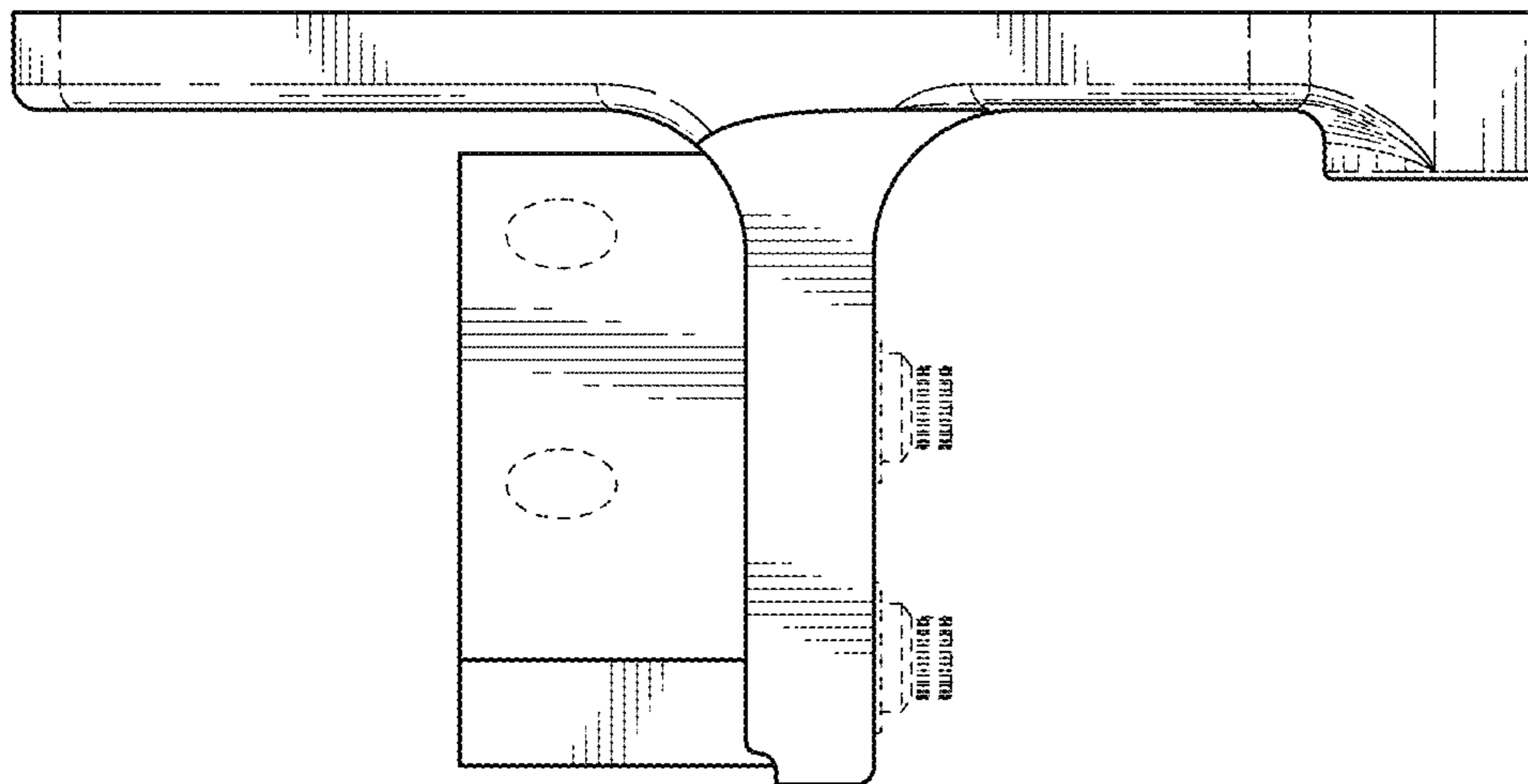


FIG. 7