

US00D737862S

(12) **United States Design Patent**
Finnican

(10) **Patent No.:** **US D737,862 S**
(45) **Date of Patent:** **** Sep. 1, 2015**

(54) **MANIFOLD**

9,038,610 B2 * 5/2015 Meshenky et al. 123/563
2014/0230797 A1 * 8/2014 Meshenky et al. 123/542

(71) Applicant: **Greg Finnican**, Charlotte, NC (US)

* cited by examiner

(72) Inventor: **Greg Finnican**, Charlotte, NC (US)

Primary Examiner — T. Chase Nelson

(**) Term: **14 Years**

Assistant Examiner — Ania Aman

(21) Appl. No.: **29/494,623**

(74) *Attorney, Agent, or Firm* — Trego, Hines & Ladenheim, PLLC

(22) Filed: **Jun. 23, 2014**

(57) **CLAIM**

I claim the ornamental design for a manifold, as shown and described.

(51) **LOC (10) Cl.** **15-01**

(52) **U.S. Cl.**
USPC **D15/5**

DESCRIPTION

(58) **Field of Classification Search**
USPC D15/1-6; 23/41.73; 123/210, 41.7,
123/184.21, 184.35, 184.43, 184.48
CPC F02M 35/116; F02M 35/104
See application file for complete search history.

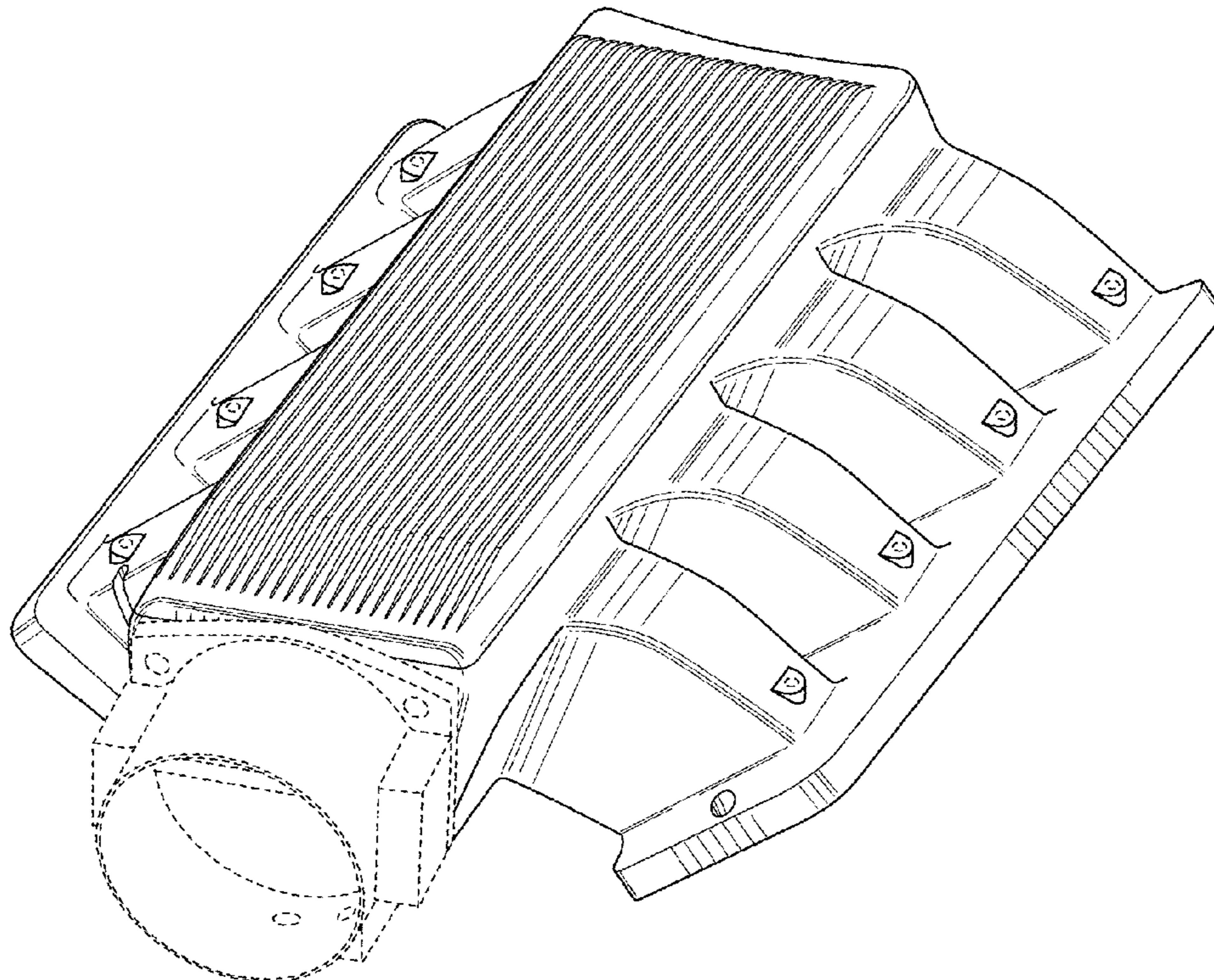
FIG. 1 is a perspective view of a manifold, showing my design;
FIG. 2 is another perspective view of the manifold of FIG. 1;
FIG. 3 is a front elevation of the manifold of FIG. 1;
FIG. 4 is a rear elevation of the manifold of FIG. 1;
FIG. 5 is a top view of the manifold of FIG. 1;
FIG. 6 is a bottom view of the manifold of FIG. 1;
FIG. 7 is a left elevation of the manifold of FIG. 1; and,
FIG. 8 is a right elevation of the manifold of FIG. 1.
The broken lines shown in the drawings are for the purpose of illustrating portions of the article that form no part of the claimed design.

(56) **References Cited**

U.S. PATENT DOCUMENTS

6,067,949 A * 5/2000 Hughes et al. 123/184.34
6,216,656 B1 * 4/2001 Hada et al. 123/184.34
D673,979 S * 1/2013 Finnican D15/5
D677,699 S * 3/2013 Finnican D15/5
D680,132 S * 4/2013 Finnican D15/5

1 Claim, 6 Drawing Sheets



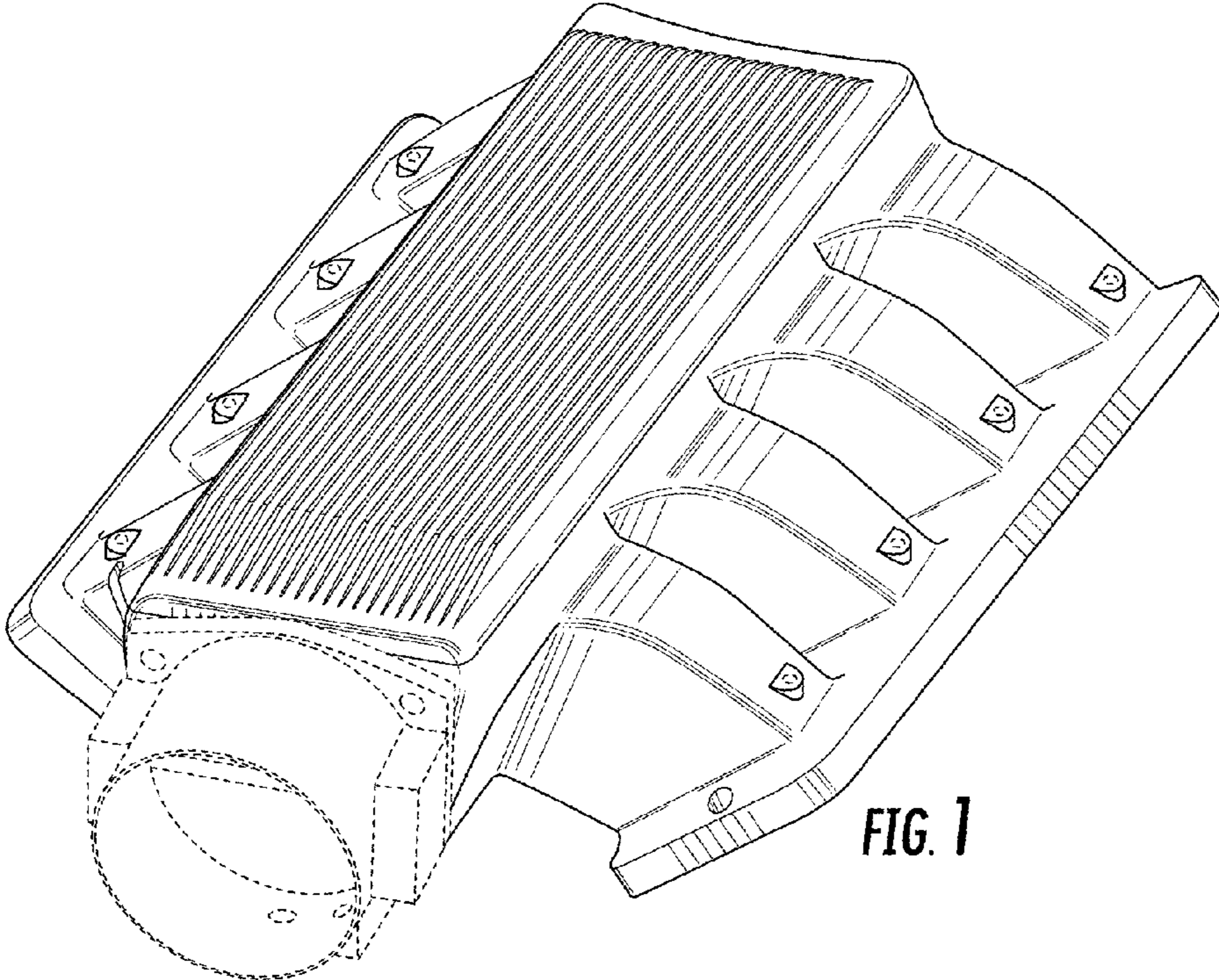


FIG. 1

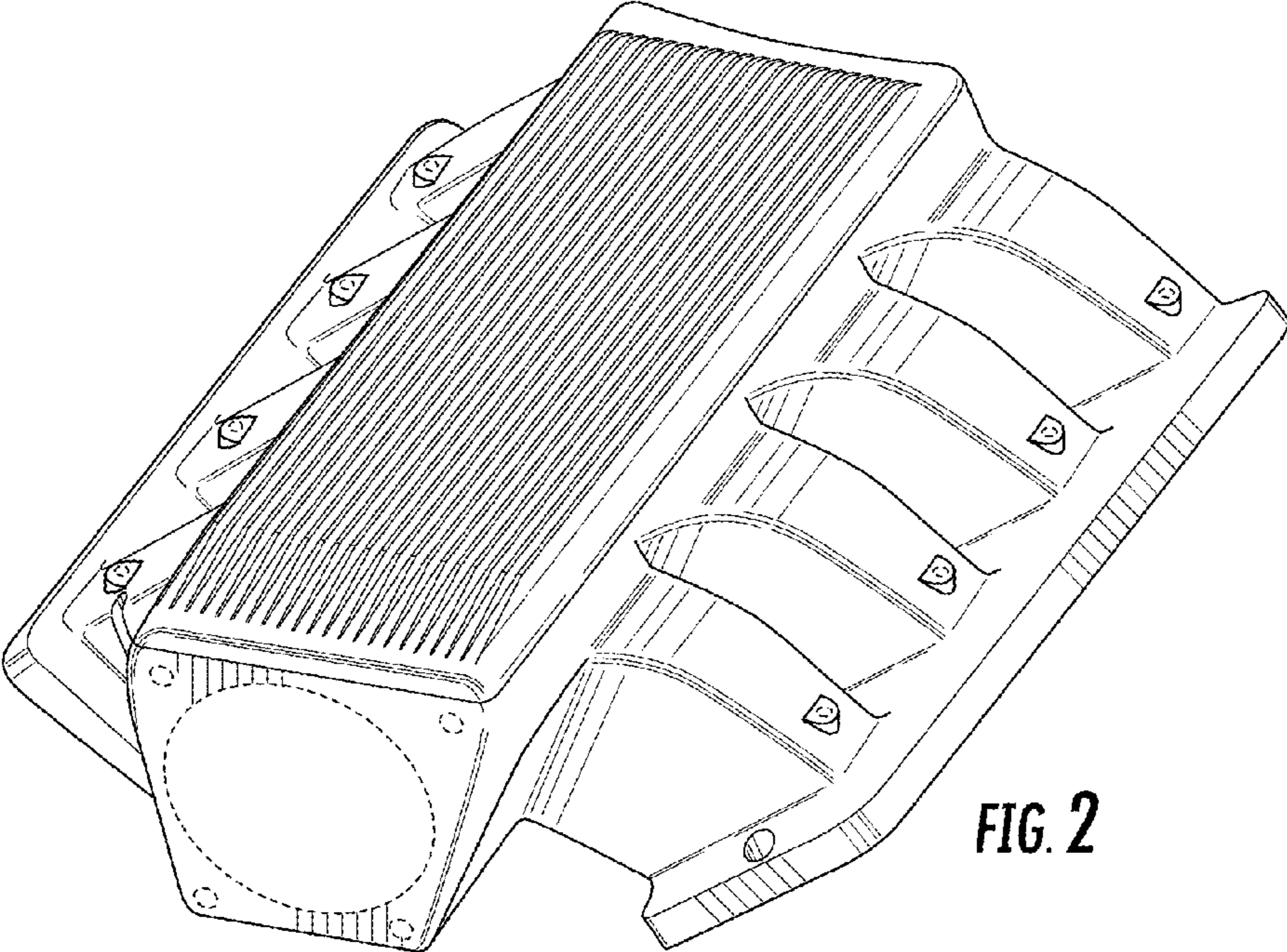


FIG. 2

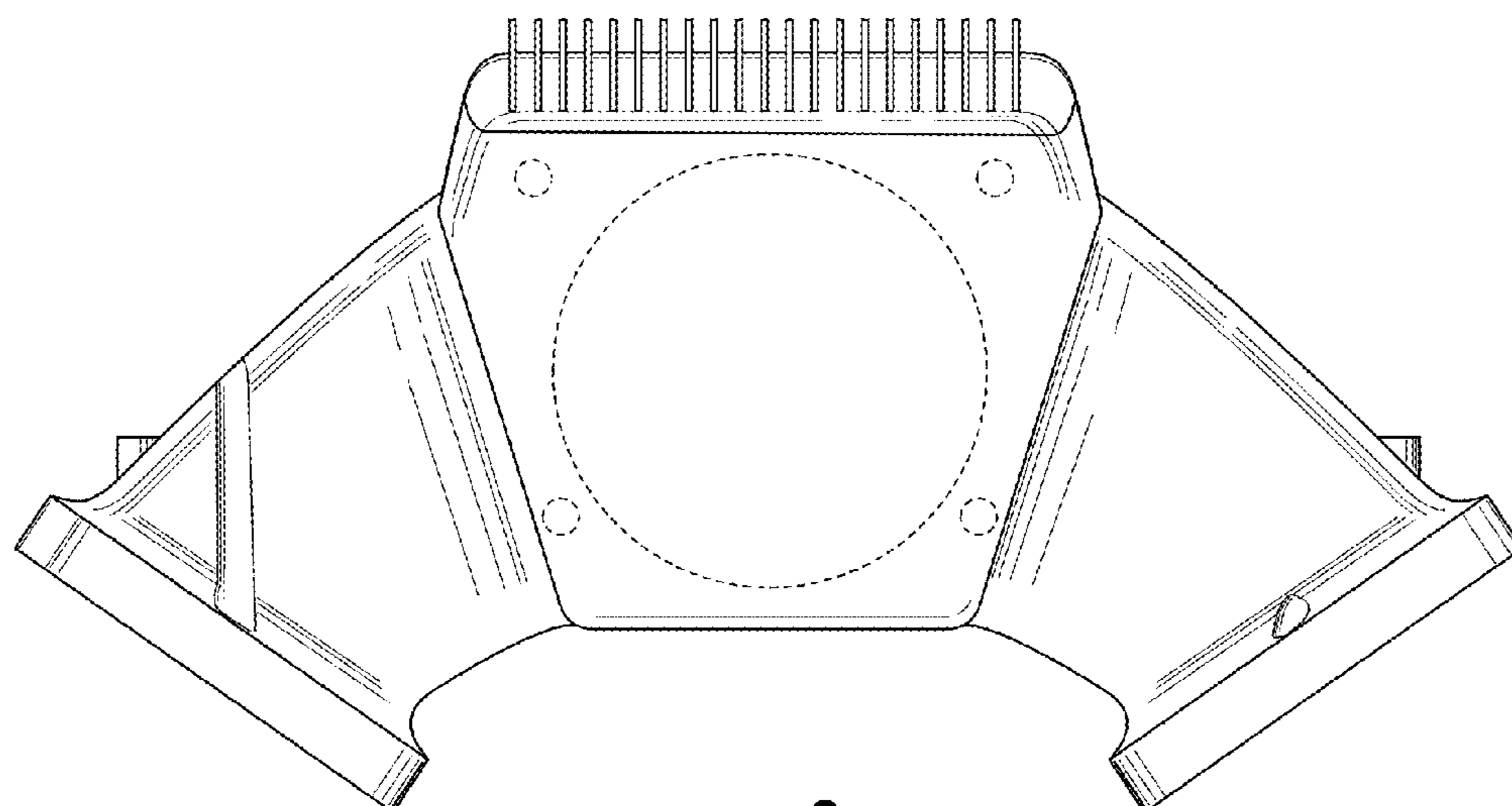


FIG. 3

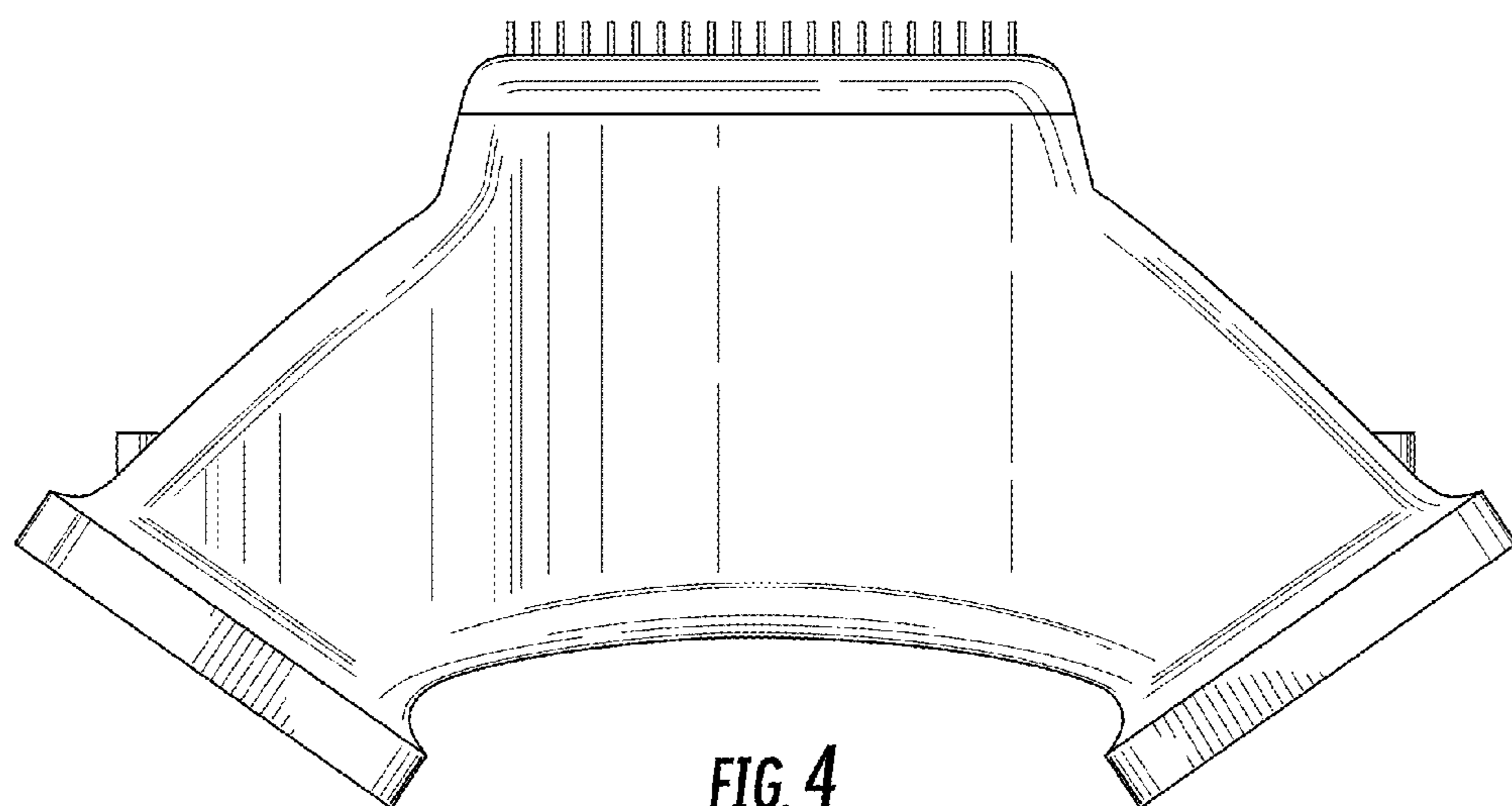


FIG. 4

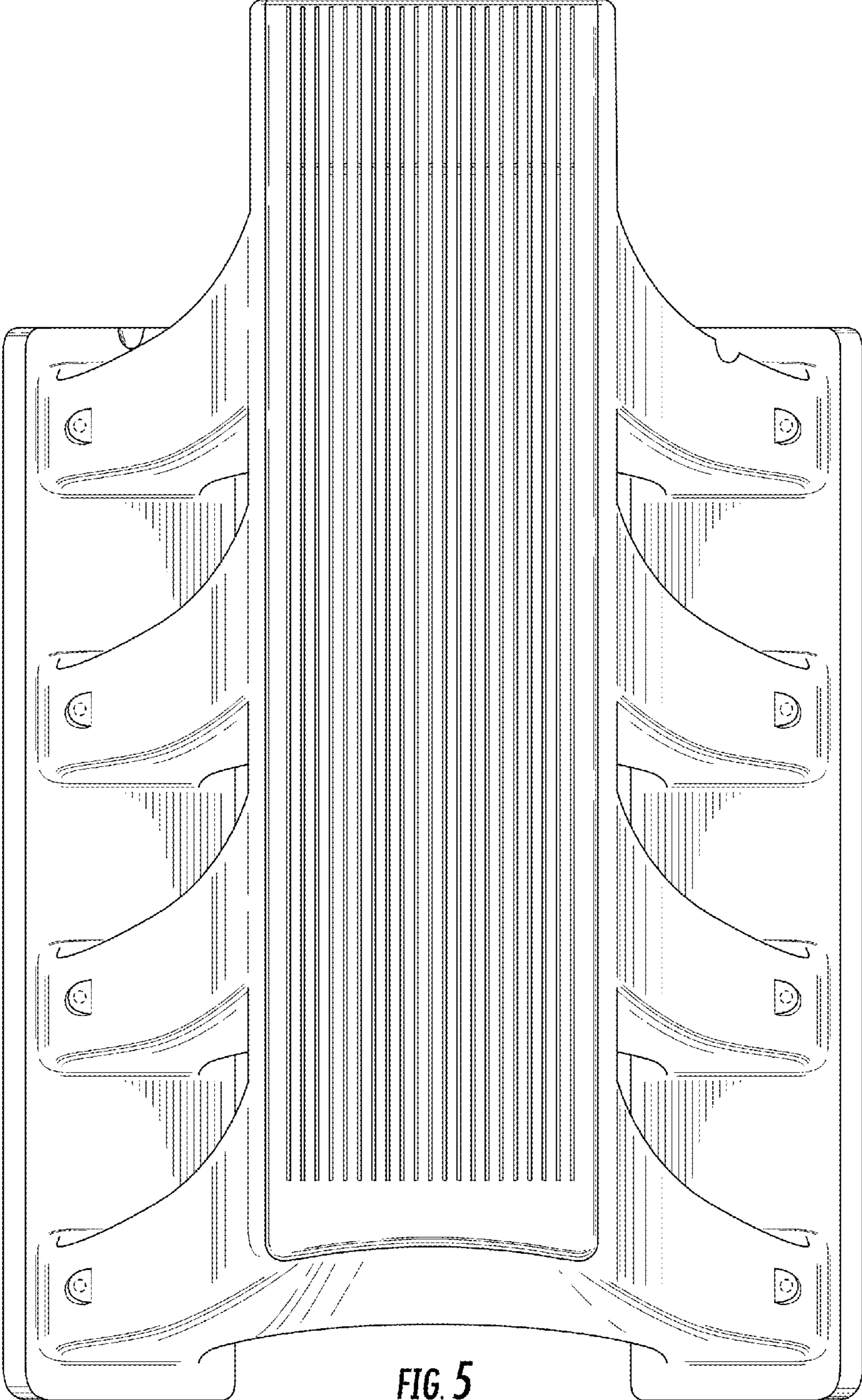
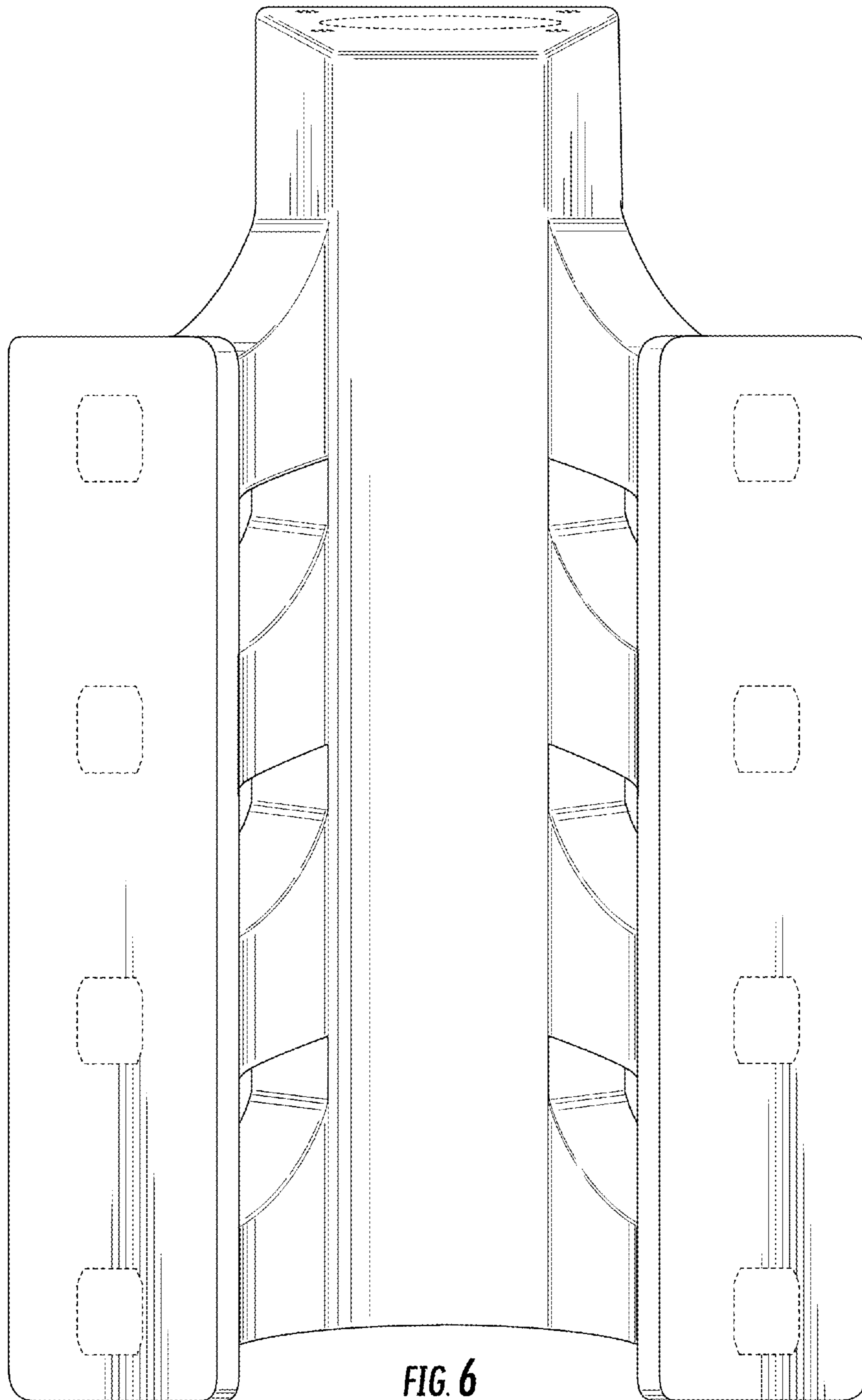


FIG. 5



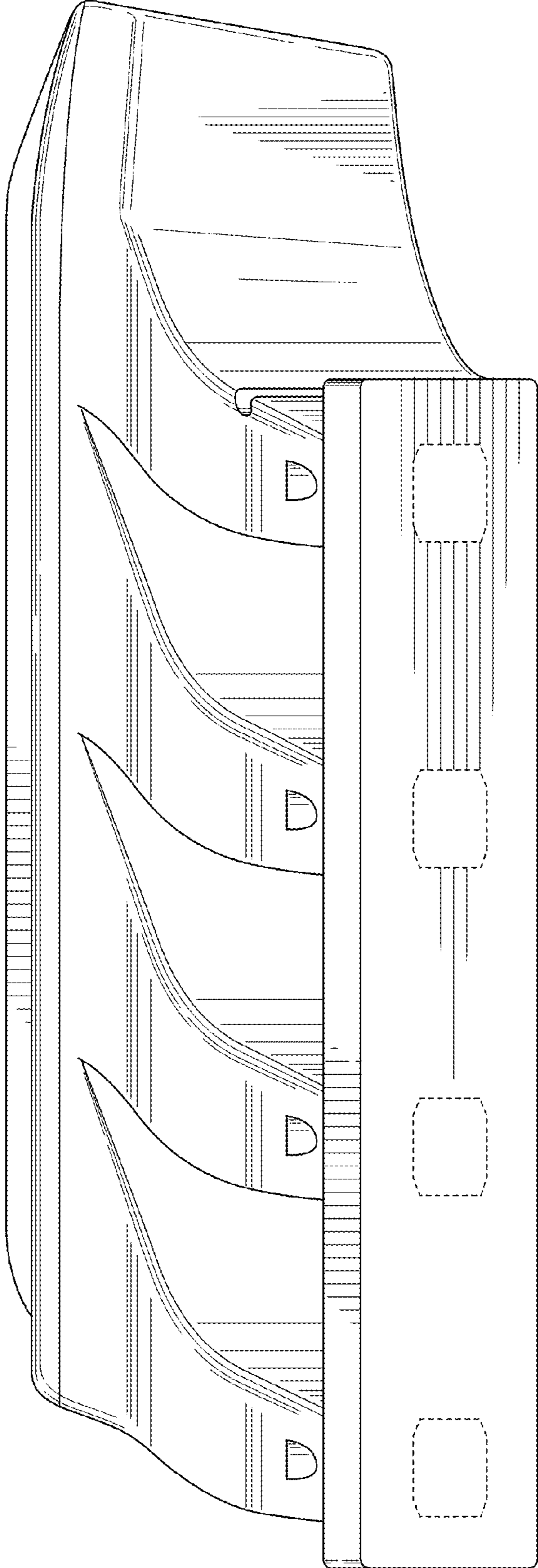


FIG. 7

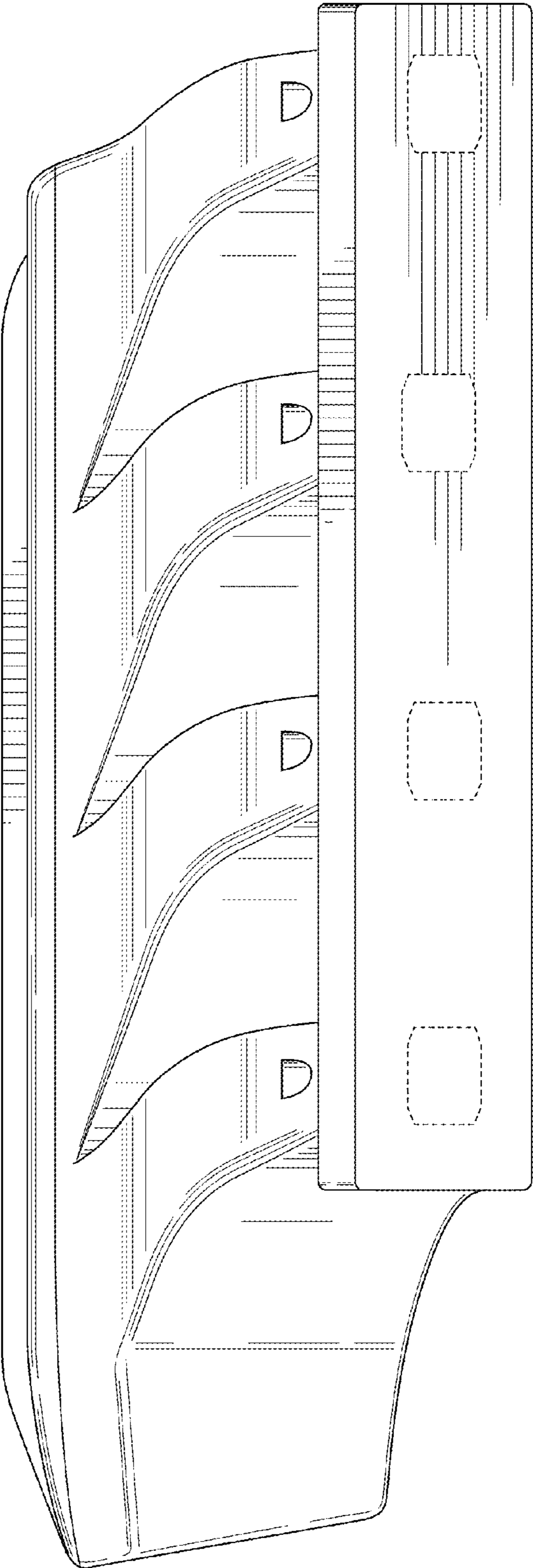


FIG. 8