



US00D737861S

(12) **United States Design Patent**
He et al.

(10) **Patent No.:** **US D737,861 S**
(45) **Date of Patent:** **** Sep. 1, 2015**

- (54) **ENGINE PISTON**
- (75) Inventors: **Jie He**, Aurora, IL (US); **Jeffrey Paul Buening**, Dunlap, IL (US)
- (73) Assignee: **Caterpillar Inc.**, Peoria, IL (US)
- (**) Term: **14 Years**
- (21) Appl. No.: **29/346,462**
- (22) Filed: **Oct. 30, 2009**
- (51) **LOC (10) Cl.** **15-01**
- (52) **U.S. Cl.**
USPC **D15/5**
- (58) **Field of Classification Search**
USPC D15/1-5, 7; 123/193.6, 47 A, 47 R,
123/41.35, 661, 659
See application file for complete search history.

- 5,040,454 A * 8/1991 Ballheimer et al. 92/177
- D322,969 S * 1/1992 Ballheimer et al. D15/5
- 5,179,916 A 1/1993 Schönfeld
- 5,331,932 A * 7/1994 Watanabe et al. 123/193.6
- D377,493 S * 1/1997 Oda et al. D15/5
- D383,761 S * 9/1997 Huntzinger D15/5
- D399,212 S * 10/1998 Roderweiss et al. D15/5
- 5,839,352 A * 11/1998 Ribeiro et al. 92/186
- 5,901,678 A 5/1999 Bielaga
- 6,220,215 B1 * 4/2001 Morimoto 123/193.6
- 6,223,710 B1 5/2001 Franz
- 6,345,599 B1 * 2/2002 Pfestorf et al. 123/193.6
- 6,491,013 B1 12/2002 Gaiser et al.
- 6,502,539 B2 1/2003 Ribeiro et al.

(Continued)

FOREIGN PATENT DOCUMENTS

- JP 03-008640 U 1/1991
- KR 1996-034883 Y1 11/1996

(Continued)

Primary Examiner — T. Chase Nelson

Assistant Examiner — Ania Aman

(74) *Attorney, Agent, or Firm* — Leydig, Voit & Mayer, Ltd.

(56) **References Cited**

U.S. PATENT DOCUMENTS

- D56,347 S * 10/1920 Farmer D15/5
- 1,783,477 A * 12/1930 Mansfield 92/160
- 1,883,637 A * 10/1932 Edwards 92/160
- 1,961,886 A * 6/1934 Larger 92/237
- 2,046,789 A * 7/1936 Norton 92/233
- D122,922 S * 10/1940 Flammang et al. D15/5
- 2,244,166 A 6/1941 Marien
- D138,548 S * 8/1944 Toce et al. D15/5
- 2,511,458 A 6/1950 Bramberry, Sr.
- 3,104,922 A * 9/1963 Baster 92/239
- 3,123,899 A * 3/1964 Townhill 29/888.044
- 3,190,273 A 6/1965 Bachle et al.
- 3,221,722 A * 12/1965 Bachle 123/41.35
- 3,906,923 A * 9/1975 Harker 123/193.4
- 3,943,908 A 3/1976 Kubis et al.
- 4,180,027 A * 12/1979 Taylor 123/41.35
- 4,359,973 A * 11/1982 Shimada 123/41.35
- D286,781 S * 11/1986 Collyear et al. D15/5
- D287,599 S * 1/1987 Murray D15/5
- 4,756,241 A * 7/1988 Sakurahara et al. 92/233

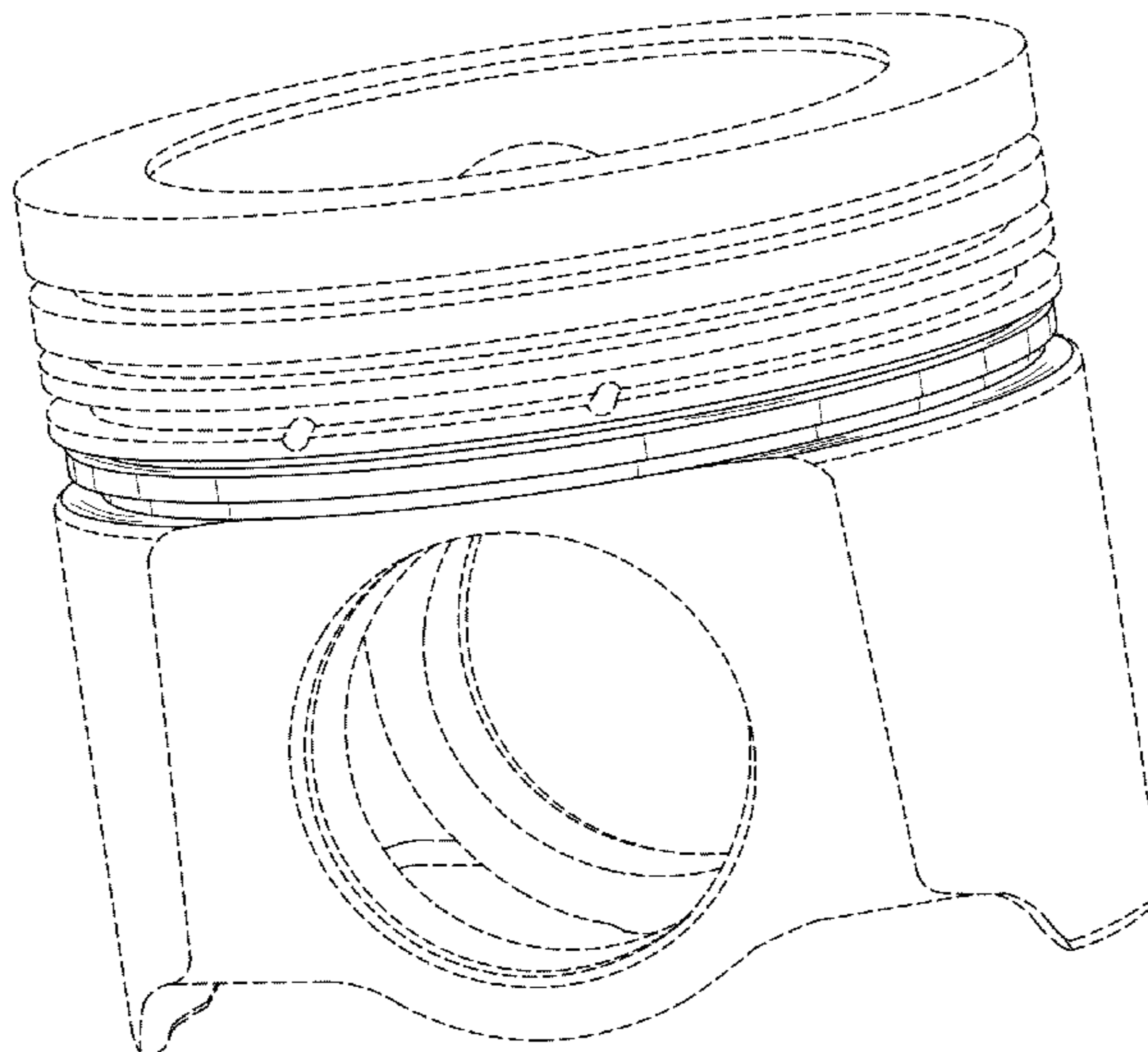
(57) **CLAIM**

The ornamental design for an engine piston, as shown and described.

DESCRIPTION

FIG. 1 is an isometric view of a first engine piston.
 FIG. 2 is a top view thereof.
 FIG. 3 is a bottom view thereof.
 FIG. 4 is a front view thereof, which is the same as a rear view thereof; and,
 FIG. 5 is a right side view thereof, which is the same as a left side view thereof.
 The broken lines are for purposes of illustrating portions of the engine piston that form no part of the claimed design.

1 Claim, 3 Drawing Sheets



(56)

References Cited

U.S. PATENT DOCUMENTS

6,539,910 B1 4/2003 Gaiser et al.
 6,557,514 B1 5/2003 Gaiser
 6,862,976 B2 3/2005 Gaiser et al.
 6,892,689 B2* 5/2005 Bischofberger et al. ... 123/193.6
 6,957,638 B2 10/2005 Scharp
 D515,590 S * 2/2006 Freitas D15/7
 7,383,807 B2* 6/2008 Azevedo et al. 123/193.6
 7,387,100 B2 6/2008 Fiedler et al.
 7,406,941 B2* 8/2008 Zhu et al. 123/193.6
 7,533,649 B2* 5/2009 Kemnitz et al. 123/193.6
 7,607,414 B2* 10/2009 Kamada et al. 123/193.1
 D609,247 S * 2/2010 Naegele et al. D15/5
 D633,529 S * 3/2011 Hamada et al. D15/7
 7,946,268 B2* 5/2011 Messmer 123/193.6
 8,220,432 B2* 7/2012 Iwata et al. 123/193.6
 8,225,765 B2* 7/2012 Kortas et al. 123/193.6
 8,528,513 B2* 9/2013 Haug et al. 123/193.6
 8,544,441 B2* 10/2013 Azevedo 123/193.6

8,695,560 B2* 4/2014 Issler et al. 123/193.6
 8,739,755 B2* 6/2014 Stan et al. 123/193.6
 8,807,109 B2* 8/2014 Muscas et al. 123/193.6
 8,813,357 B2* 8/2014 Kopchick et al. 29/888.044
 8,813,712 B2* 8/2014 Bing et al. 123/193.6
 D713,422 S * 9/2014 Muscas D15/5
 8,899,208 B2* 12/2014 Bischofberger 123/193.6
 2003/0101958 A1 6/2003 Han
 2004/0003793 A1* 1/2004 Saruwatari et al. 123/307
 2006/0096557 A1 5/2006 Christain et al.
 2007/0074695 A1 4/2007 Gildemeister et al.
 2009/0145394 A1 6/2009 Nigro et al.
 2009/0151688 A1 6/2009 Matsui et al.
 2011/0100317 A1* 5/2011 He et al. 123/193.6

FOREIGN PATENT DOCUMENTS

KR 10-0450441 B1 9/2004
 WO 03/036045 A1 5/2003

* cited by examiner

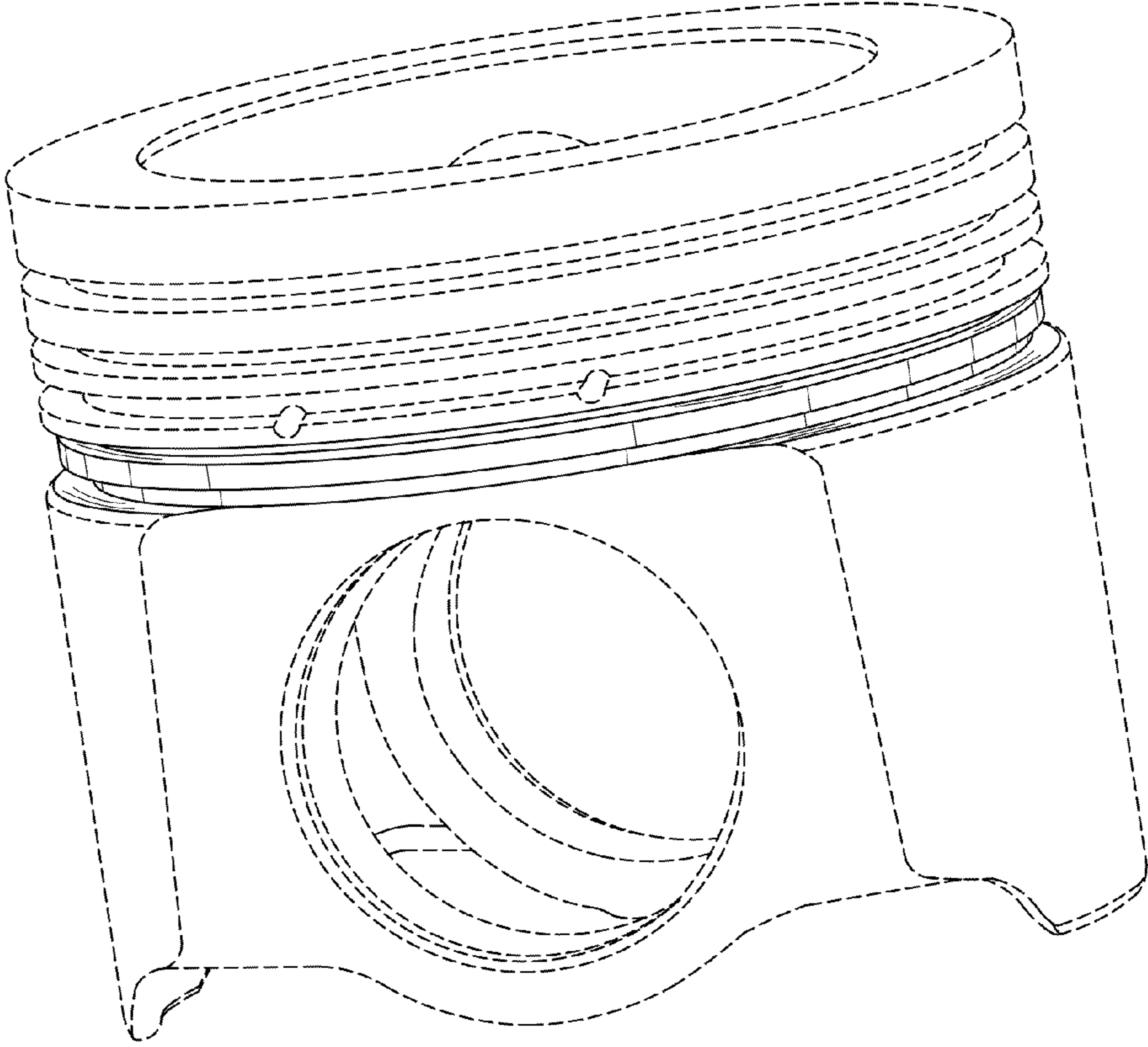


FIG. 1

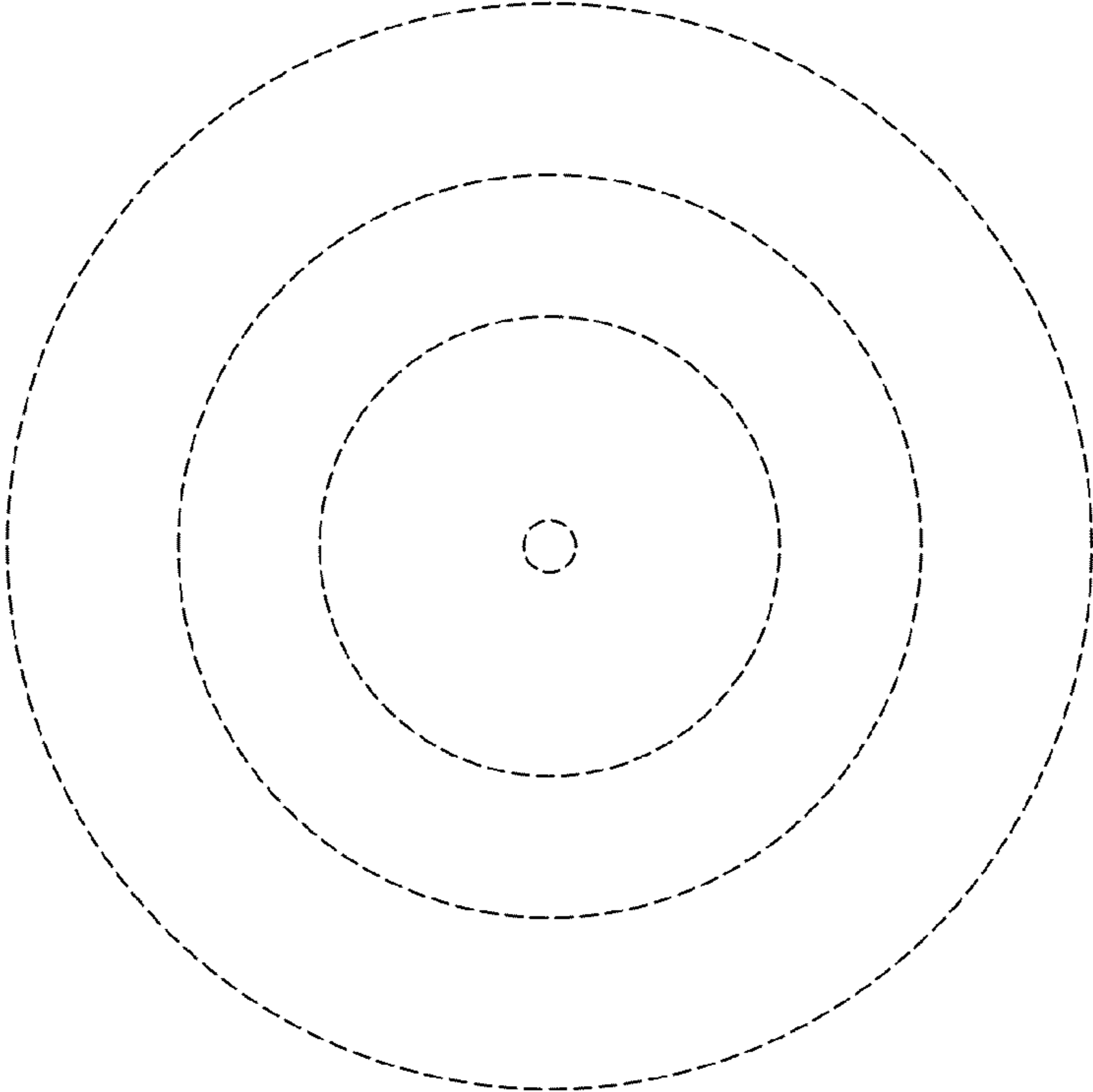


FIG. 2

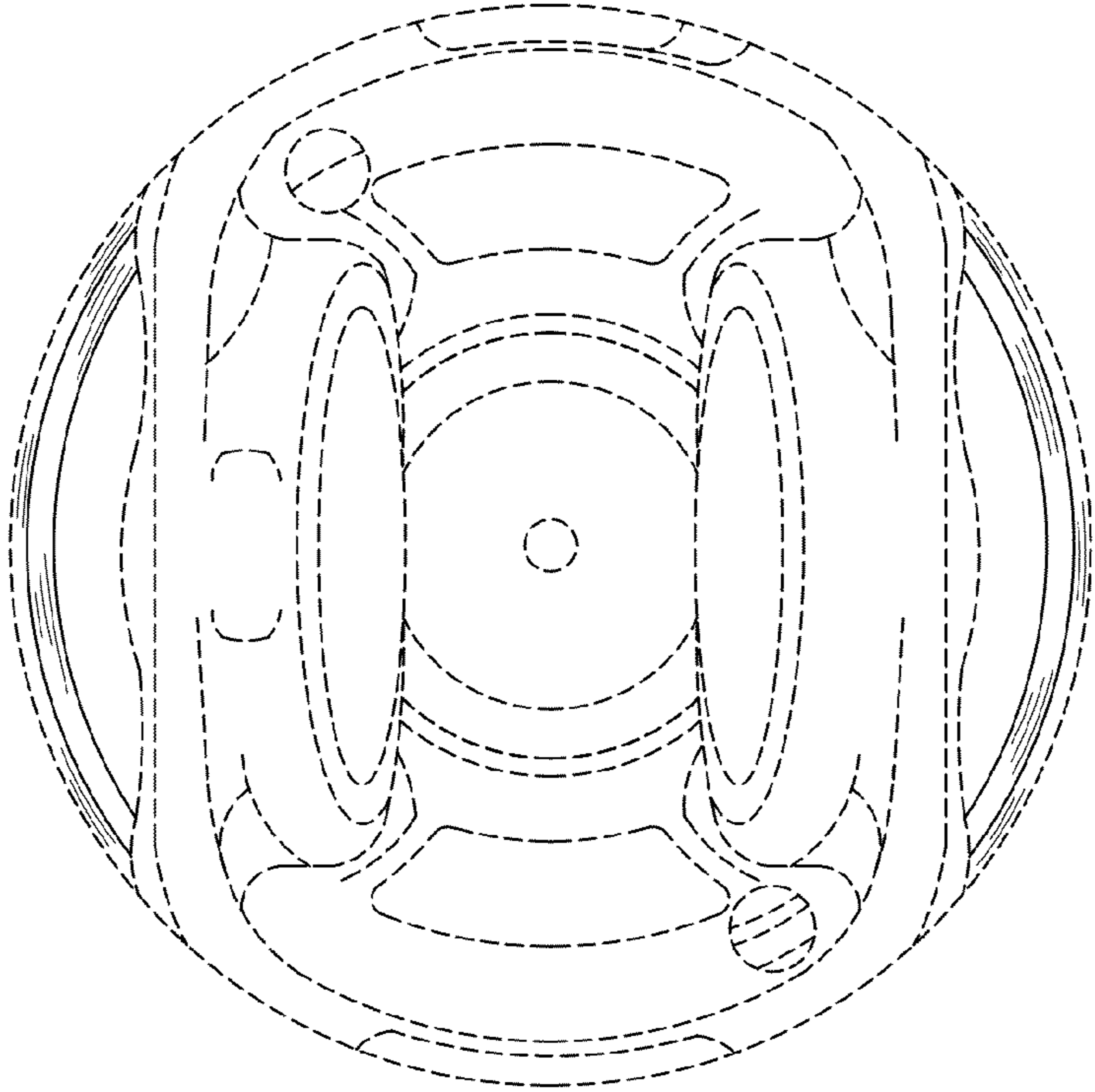


FIG. 3

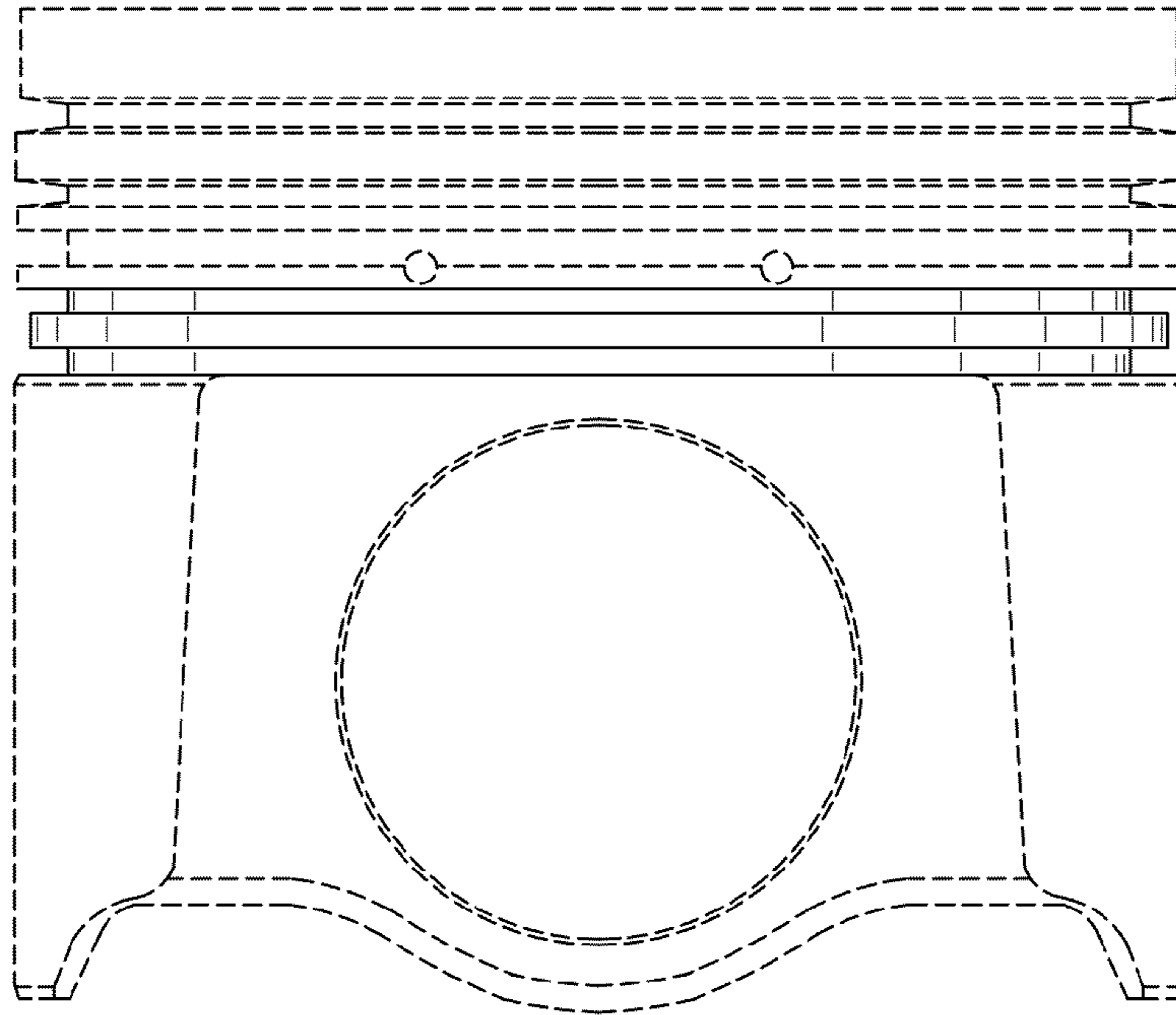


FIG. 4

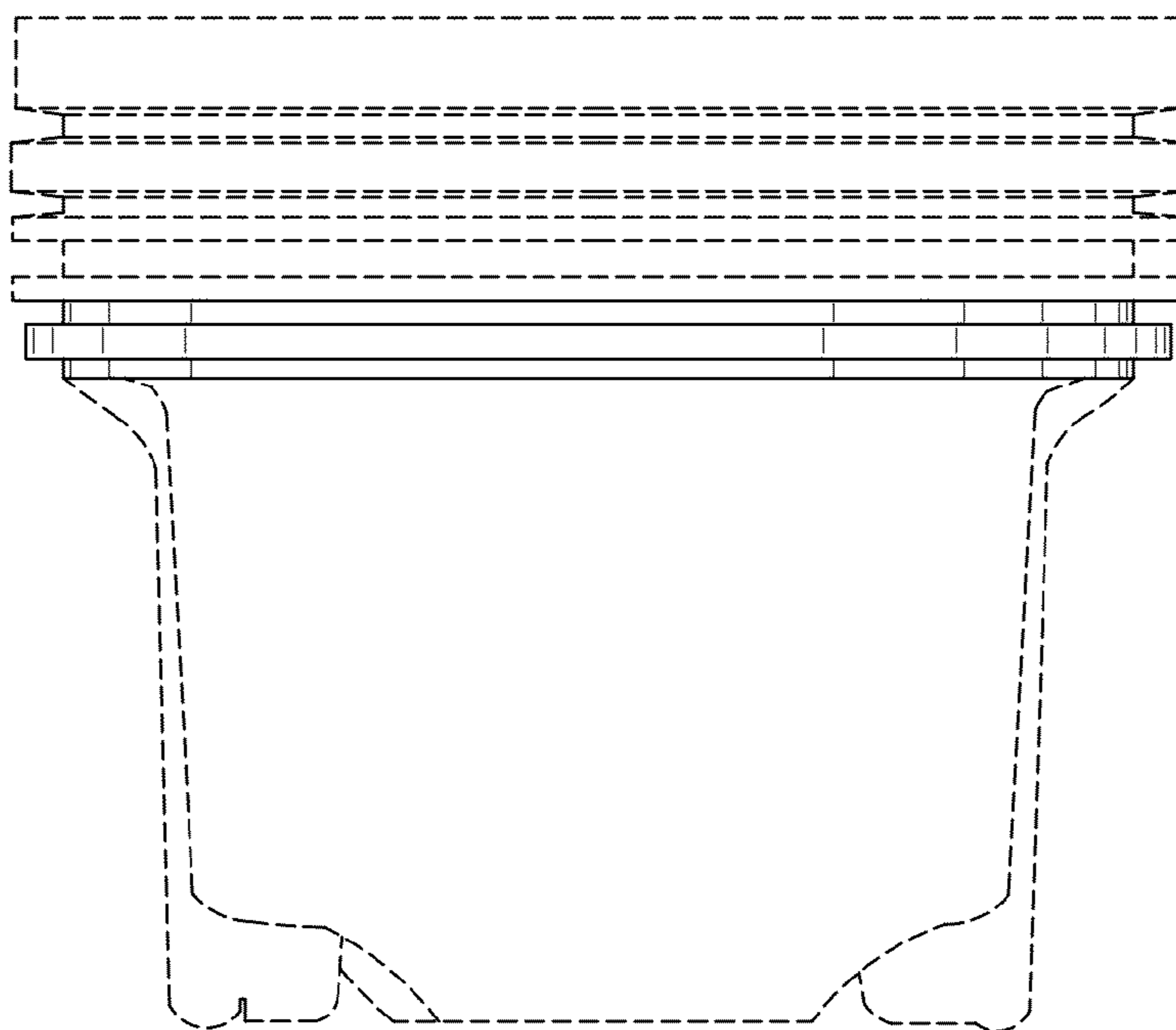


FIG. 5

UNITED STATES PATENT AND TRADEMARK OFFICE
CERTIFICATE OF CORRECTION

PATENT NO. : D737,861 S
APPLICATION NO. : 29/346462
DATED : September 1, 2015
INVENTOR(S) : Jie He and Jeffrey Paul Buening

Page 1 of 5

It is certified that error appears in the above-identified patent and that said Letters Patent is hereby corrected as shown below:

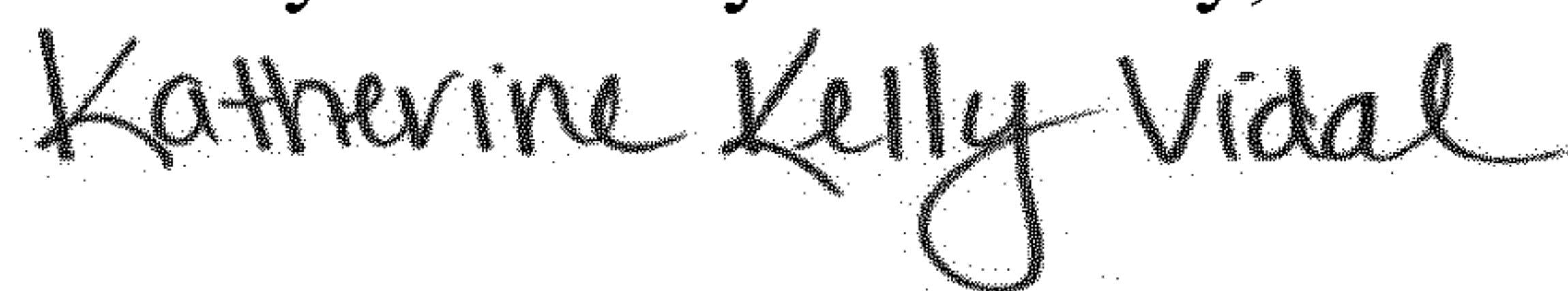
On the Title Page

Delete the title page and substitute therefore with the attached title page consisting of the corrected illustrative figure(s).

In the Drawings

Please replace FIGS. 1-5 with FIGS. 1-5 as shown on the attached drawing sheets.

Signed and Sealed this
Twenty-third Day of January, 2024



Katherine Kelly Vidal
Director of the United States Patent and Trademark Office

(12) **United States Design Patent**
He et al.

(10) **Patent No.:** **US D737,861 S**

(45) **Date of Patent:** **** Sep. 1, 2015**

(54) **ENGINE PISTON**

(75) Inventors: **Jie He**, Aurora, IL (US); **Jeffrey Paul Buening**, Dunlap, IL (US)

(73) Assignee: **Caterpillar Inc.**, Peoria, IL (US)

(**) Term: **14 Years**

(21) Appl. No.: **29/346,462**

(22) Filed: **Oct. 30, 2009**

(51) **LOC (10) Cl.** **15-01**

(52) **U.S. Cl.**
 USPC **D15/5**

(58) **Field of Classification Search**
 USPC D15/1-5, 7; 123/193.6, 47 A, 47 R,
 123/41.35, 661, 659
 See application file for complete search history.

5,040,454 A * 8/1991 Ballheimer et al. 92/177
 D322,969 S * 1/1992 Ballheimer et al. D15/5
 5,179,916 A * 1/1993 Schönfeld
 5,331,932 A * 7/1994 Watanabe et al. 123/193.6
 D377,493 S * 1/1997 Oda et al. D15/5
 D383,761 S * 9/1997 Huntzinger D15/5
 D399,212 S * 10/1998 Roderweiss et al. D15/5
 5,839,352 A * 11/1998 Ribeiro et al. 92/186
 5,901,678 A * 5/1999 Bielaga
 6,220,215 B1 * 4/2001 Morimoto 123/193.6
 6,223,710 B1 * 5/2001 Franz
 6,345,599 B1 * 2/2002 Pfestorf et al. 123/193.6
 6,491,013 B1 * 12/2002 Gaiser et al.
 6,502,539 B2 * 1/2003 Ribeiro et al.

(Continued)

FOREIGN PATENT DOCUMENTS

JP 03-008640 U 1/1991
 KR 1996-034883 Y1 11/1996

(Continued)

Primary Examiner — T. Chase Nelson

Assistant Examiner — Ania Aman

(74) *Attorney, Agent, or Firm* — Leydig, Voit & Mayer, Ltd.

(56) **References Cited**
 U.S. PATENT DOCUMENTS

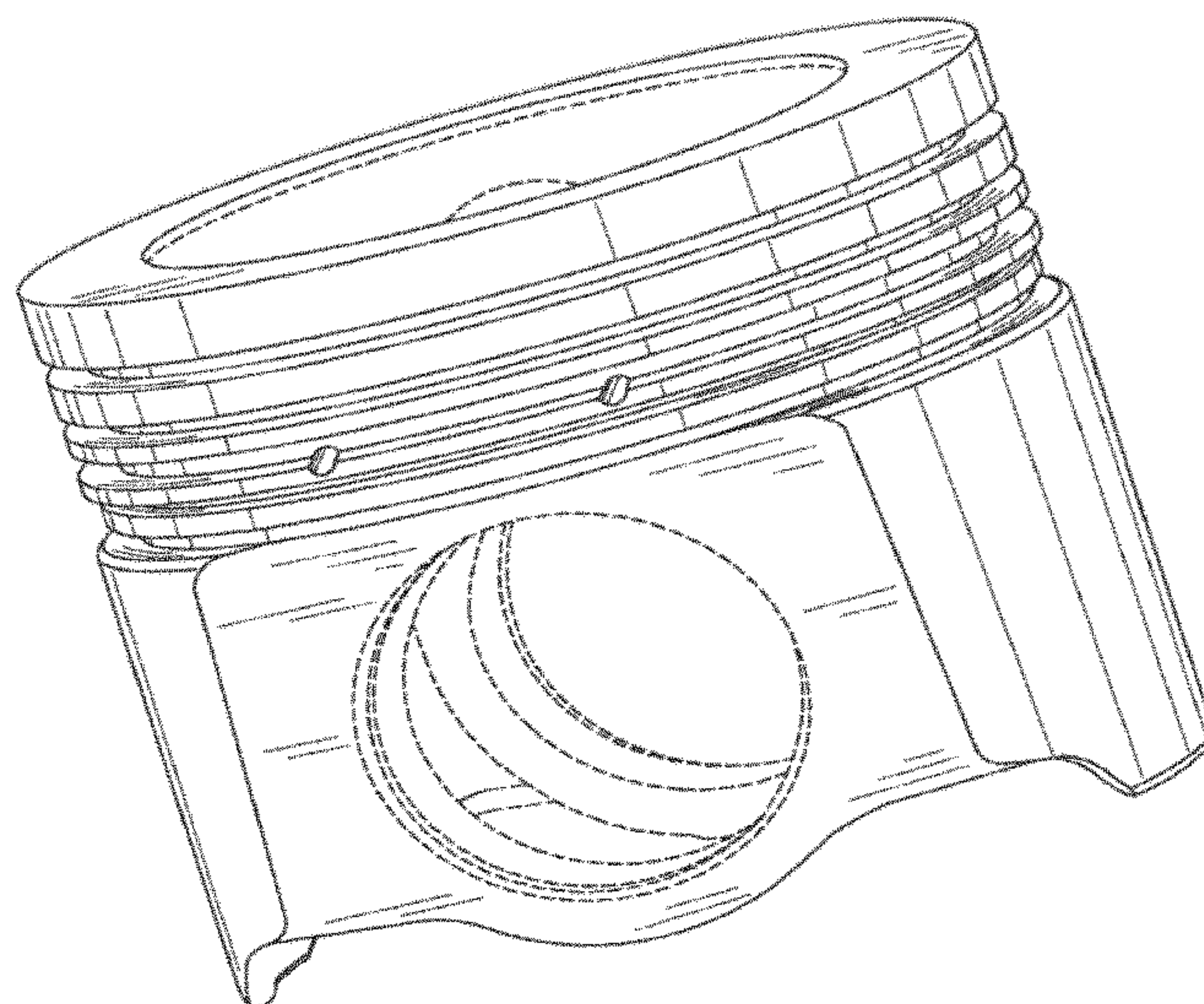
D56,347 S * 10/1920 Farmer D15/5
 1,783,477 A * 12/1930 Mansfield 92/160
 1,883,637 A * 10/1932 Edwards 92/160
 1,961,886 A * 6/1934 Larger 92/237
 2,046,789 A * 7/1936 Norton 92/233
 D122,922 S * 10/1940 Flammang et al. D15/5
 2,244,166 A * 6/1941 Marien
 D138,548 S * 8/1944 Toce et al. D15/5
 2,511,458 A * 6/1950 Bramberry, Sr.
 3,104,922 A * 9/1963 Baster 92/239
 3,123,899 A * 3/1964 Townhill 29/888.044
 3,190,273 A * 6/1965 Bachle et al.
 3,221,722 A * 12/1965 Bachle 123/41.35
 3,906,923 A * 9/1975 Harker 123/193.4
 3,943,908 A * 3/1976 Kubis et al.
 4,180,027 A * 12/1979 Taylor 123/41.35
 4,359,973 A * 11/1982 Shimada 123/41.35
 D286,781 S * 11/1986 Collyear et al. D15/5
 D287,599 S * 1/1987 Murray D15/5
 4,756,241 A * 7/1988 Sakurahara et al. 92/233

(57) **CLAIM**
 The ornamental design for an engine piston, as shown and described.

DESCRIPTION

FIG. 1 is an isometric view of a first engine piston.
 FIG. 2 is a top view thereof.
 FIG. 3 is a bottom view thereof.
 FIG. 4 is a front view thereof, which is the same as a rear view thereof; and,
 FIG. 5 is a right side view thereof, which is the same as a left side view thereof.
 The broken lines are for purposes of illustrating portions of the engine piston that form no part of the claimed design.

1 Claim, 3 Drawing Sheets



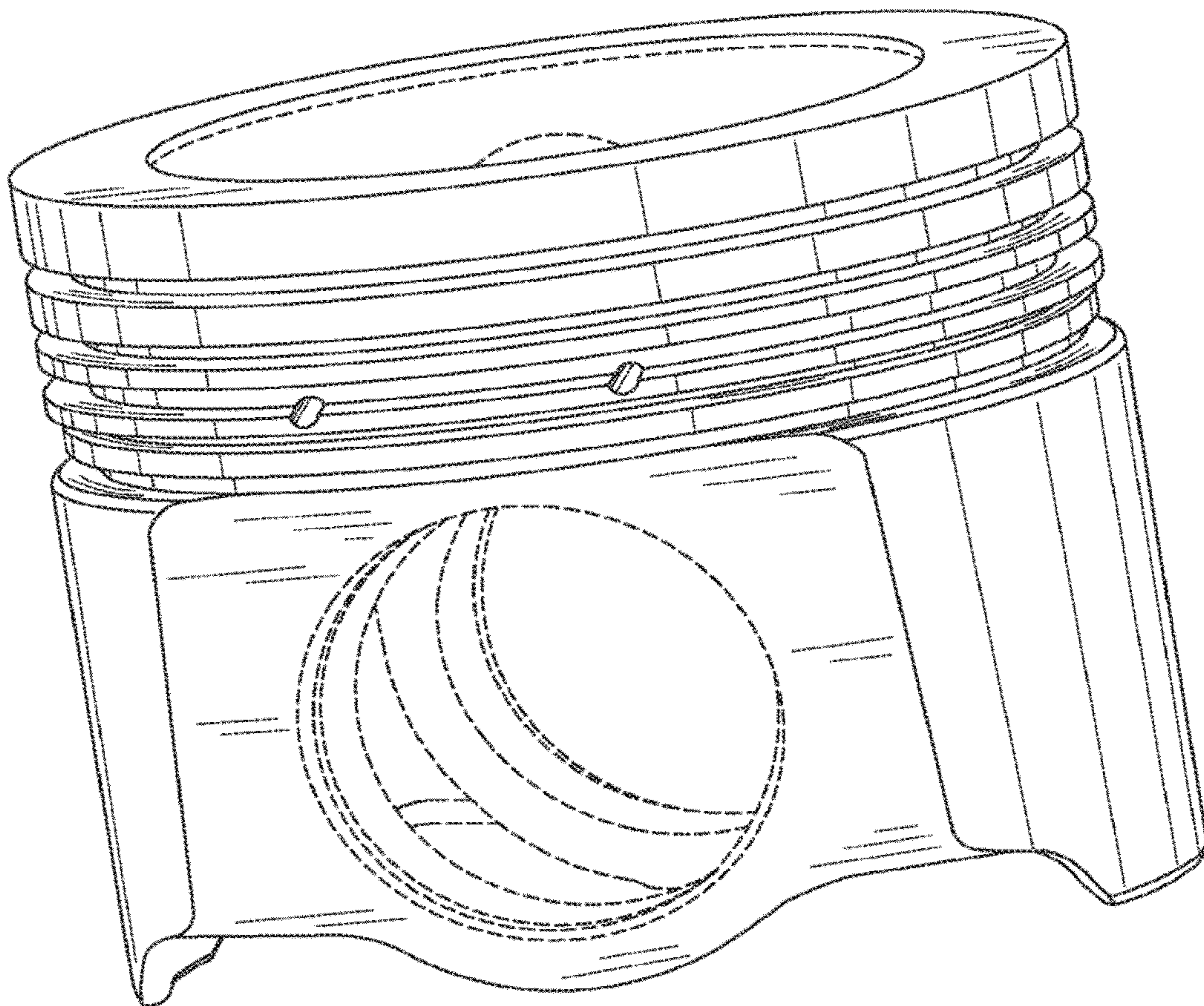


FIG. 1

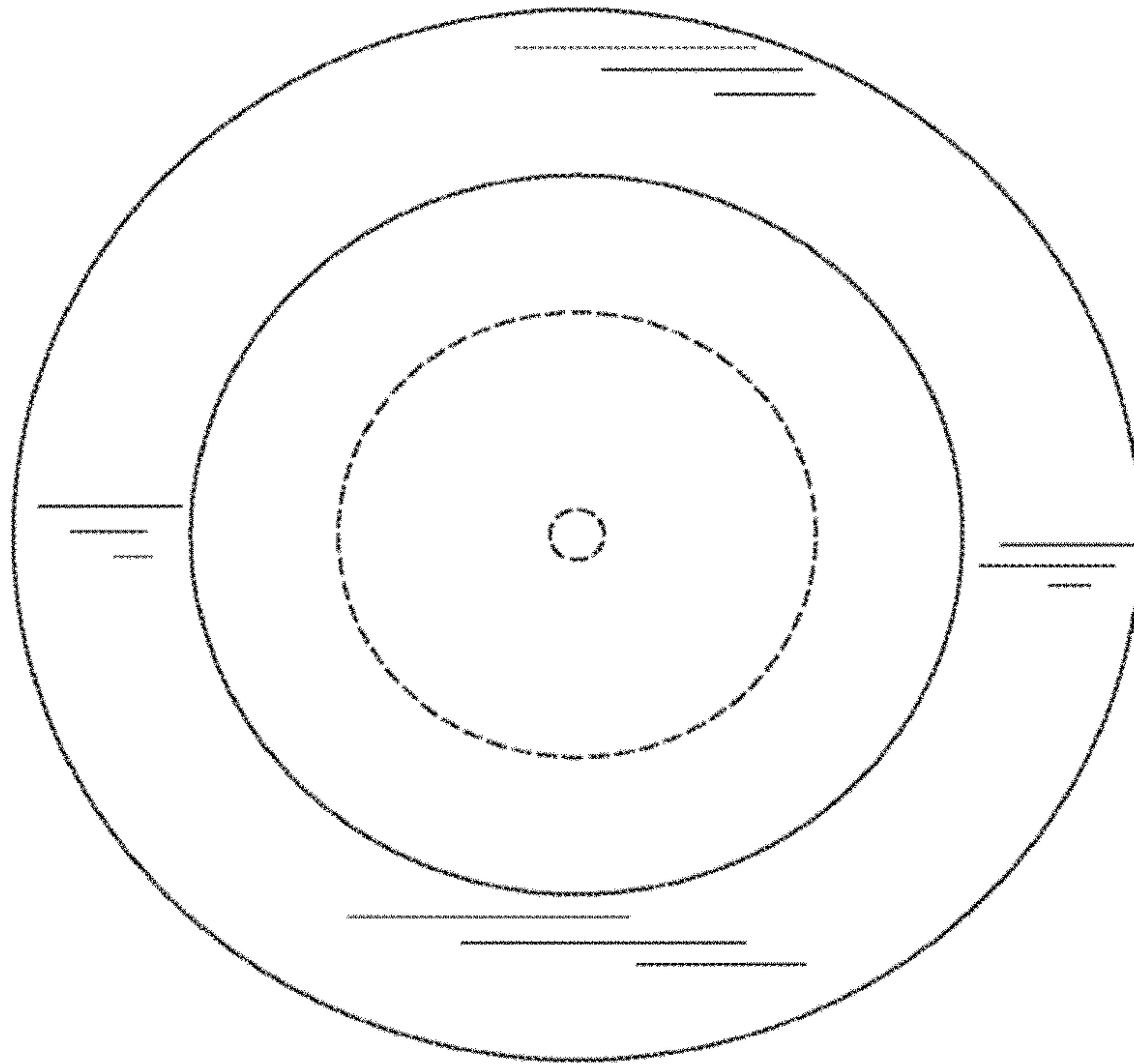


FIG. 2

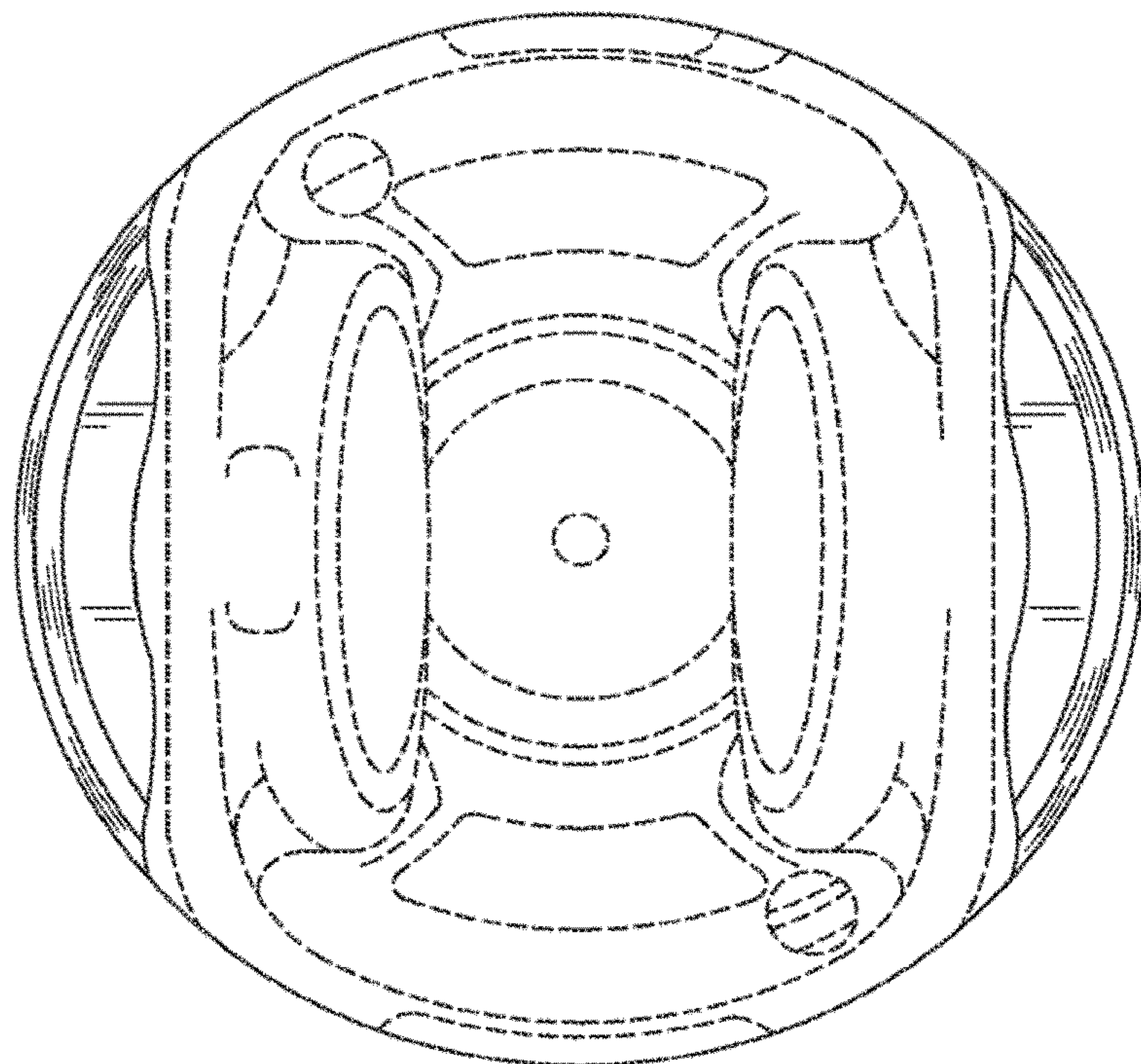


FIG. 3

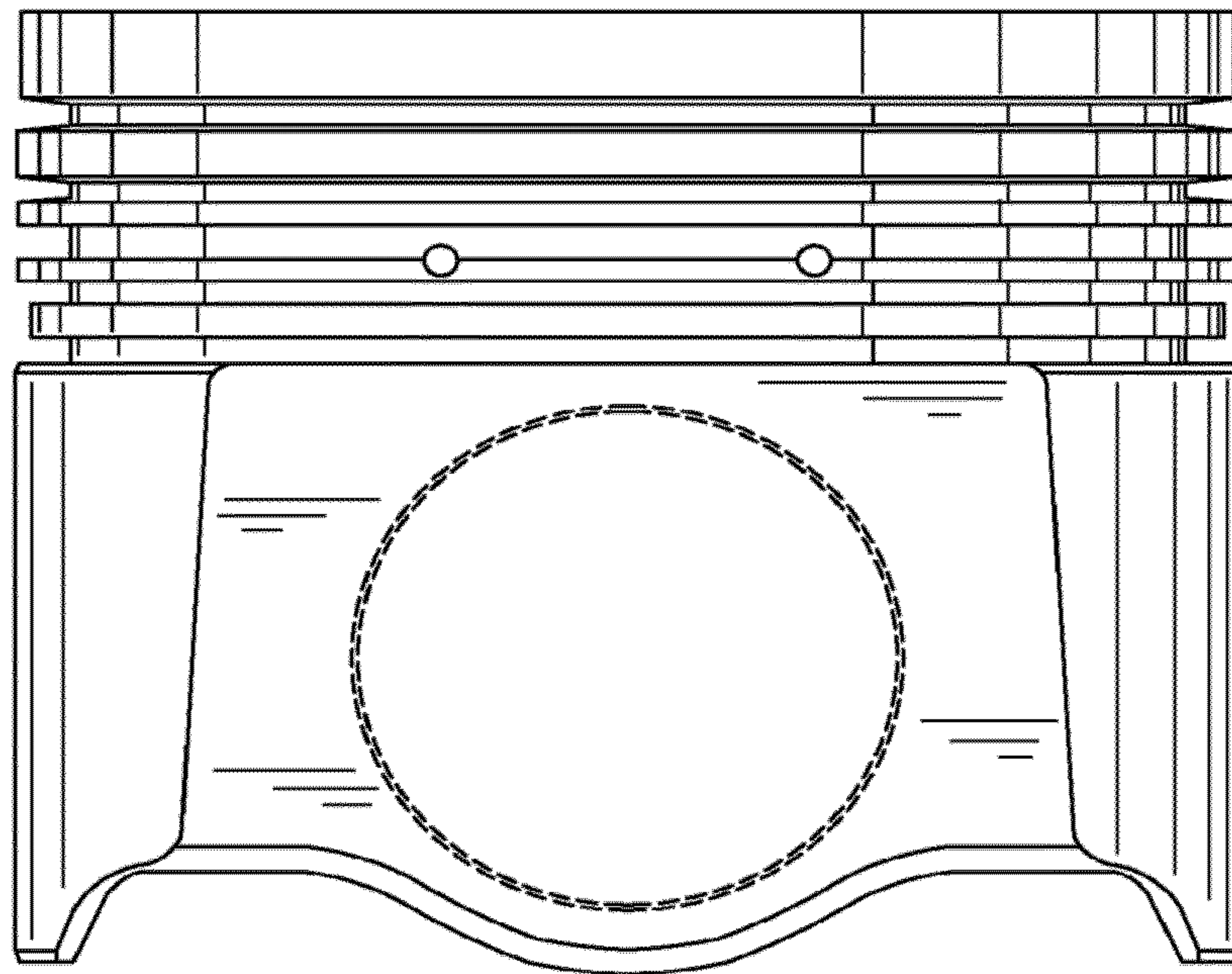


FIG. 4

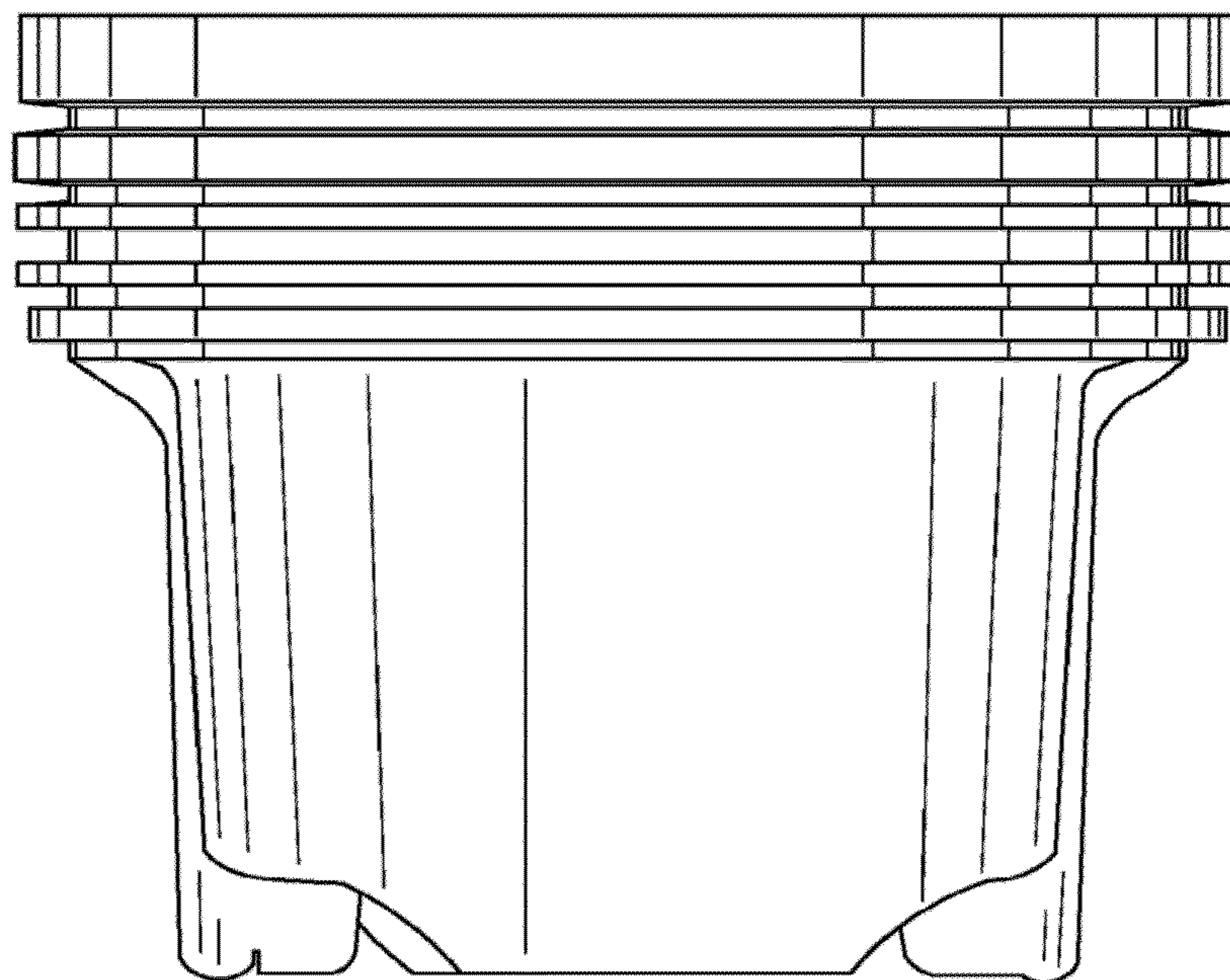


FIG. 5