



US00D737859S

(12) **United States Design Patent**
Morikawa

(10) **Patent No.:** **US D737,859 S**

(45) **Date of Patent:** **** Sep. 1, 2015**

(54) **IN-VEHICLE INFORMATION DISPLAY**

(56) **References Cited**

(71) Applicant: **JVC KENWOOD Corporation**,
Yokohama-shi, Kanagawa (JP)

U.S. PATENT DOCUMENTS

(72) Inventor: **Rika Morikawa**, Yokohama (JP)

6,055,478	A *	4/2000	Heron	701/486
6,339,696	B1 *	1/2002	Chan et al.	455/62
6,364,390	B1 *	4/2002	Finneman	296/37.7
7,561,966	B2 *	7/2009	Nakamura et al.	701/438
D614,201	S *	4/2010	Strauser	D14/497
D618,252	S *	6/2010	Bradford et al.	D14/496
D669,500	S *	10/2012	Dangerfield	D14/496
8,350,686	B2 *	1/2013	Inoue	340/436
8,405,911	B2 *	3/2013	Uematsu et al.	359/630
D721,738	S *	1/2015	Hochman et al.	D14/496
D722,990	S *	2/2015	Murakami	D14/129
D730,942	S *	6/2015	Wong	D14/496

(73) Assignee: **JVC KENWOOD CORPORATION**,
Yokohama-Shi, Kanagawa (JP)

(**) Term: **14 Years**

(21) Appl. No.: **29/495,022**

* cited by examiner

(22) Filed: **Jun. 26, 2014**

Primary Examiner — Prabhakar Deshmukh

(30) **Foreign Application Priority Data**

(74) *Attorney, Agent, or Firm* — Nath, Goldberg & Meyer;
Jerald L. Meyer

Mar. 31, 2014 (JP) 2014007020

(51) **LOC (10) Cl.** **14-03**

(57) **CLAIM**

(52) **U.S. Cl.**

The ornamental design for an in-vehicle information display,
as shown and described.

USPC **D14/496; D14/203.1**

DESCRIPTION

(58) **Field of Classification Search**

USPC D14/496, 401, 435, 474, 483, 217, 137,
D14/138, 160, 168, 356, 203.1–203.8, 507;
345/156, 169, 173–179, 905;
715/727–729, 864; 710/1, 5, 8; 713/1,
713/600; 455/1.1, 1.7, 73, 344–347, 93, 95,
455/3.01–3.06, 550.1, 573.1; 370/342–344;
369/1, 2, 6–12; 463/43–47; 273/148 B
CPC G06F 19/00; G06F 5/00; B60R 7/04;
B60R 11/02; B60R 11/0217

FIG. 1 is a perspective view of an in-vehicle information
display showing our new design;
FIG. 2 is a front view thereof;
FIG. 3 is a left side view thereof;
FIG. 4 is a right side view thereof;
FIG. 5 is top plan view thereof; and,
FIG. 6 is a bottom plan view thereof.
The broken lines shown are included for the purpose of illus-
trating the unclaimed portions of the article and form no part
of the claim.

See application file for complete search history.

1 Claim, 5 Drawing Sheets

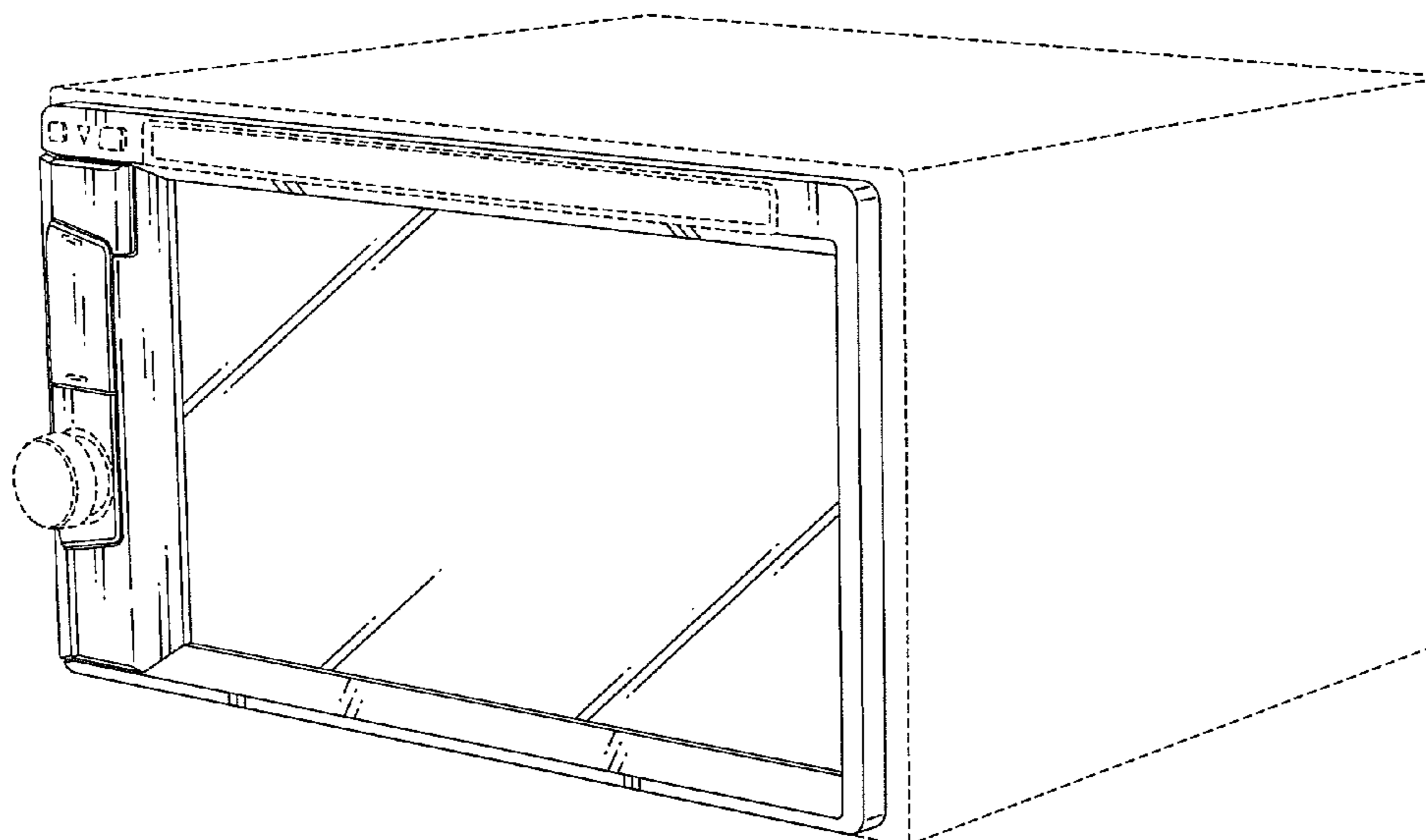


Fig. 1

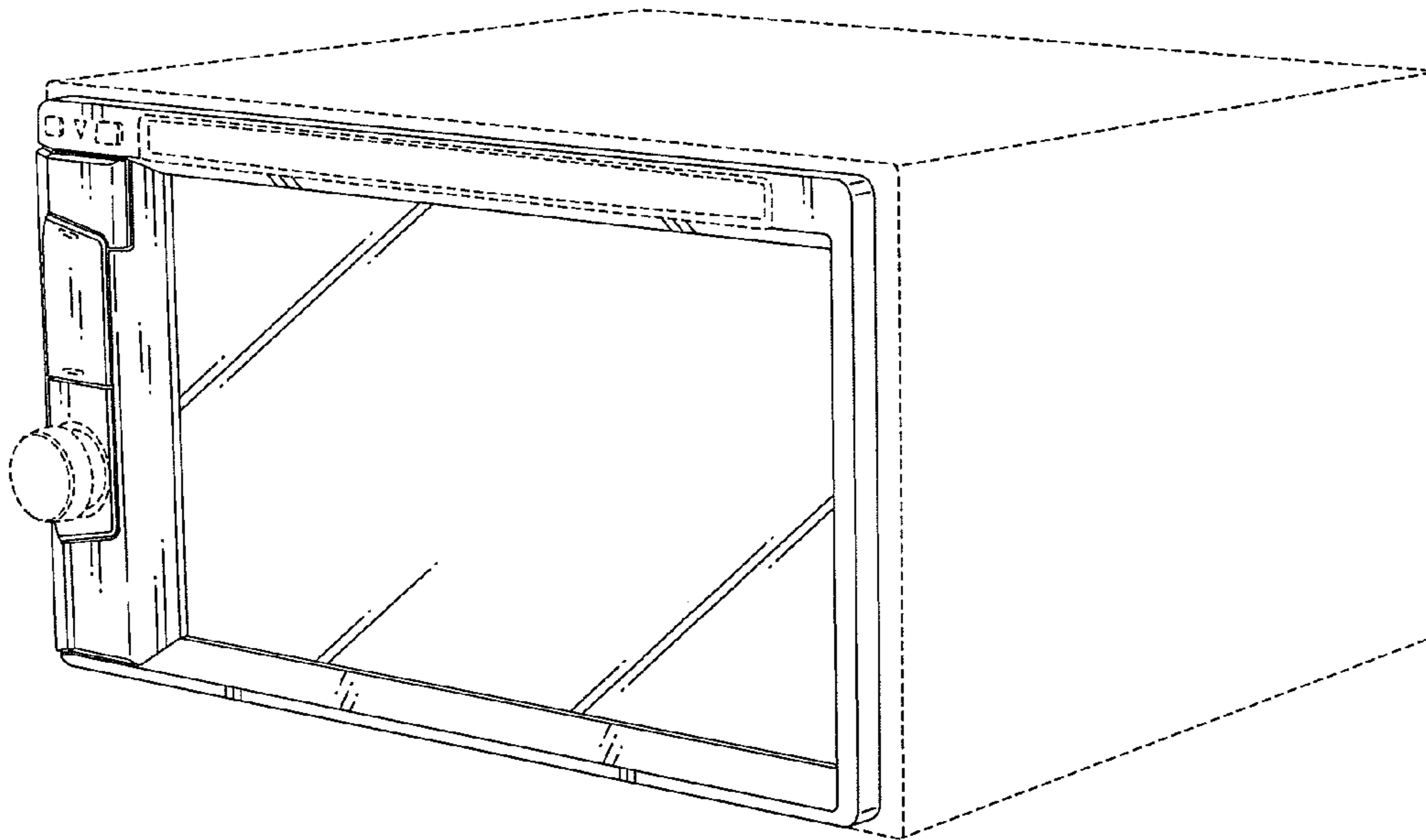


Fig. 2

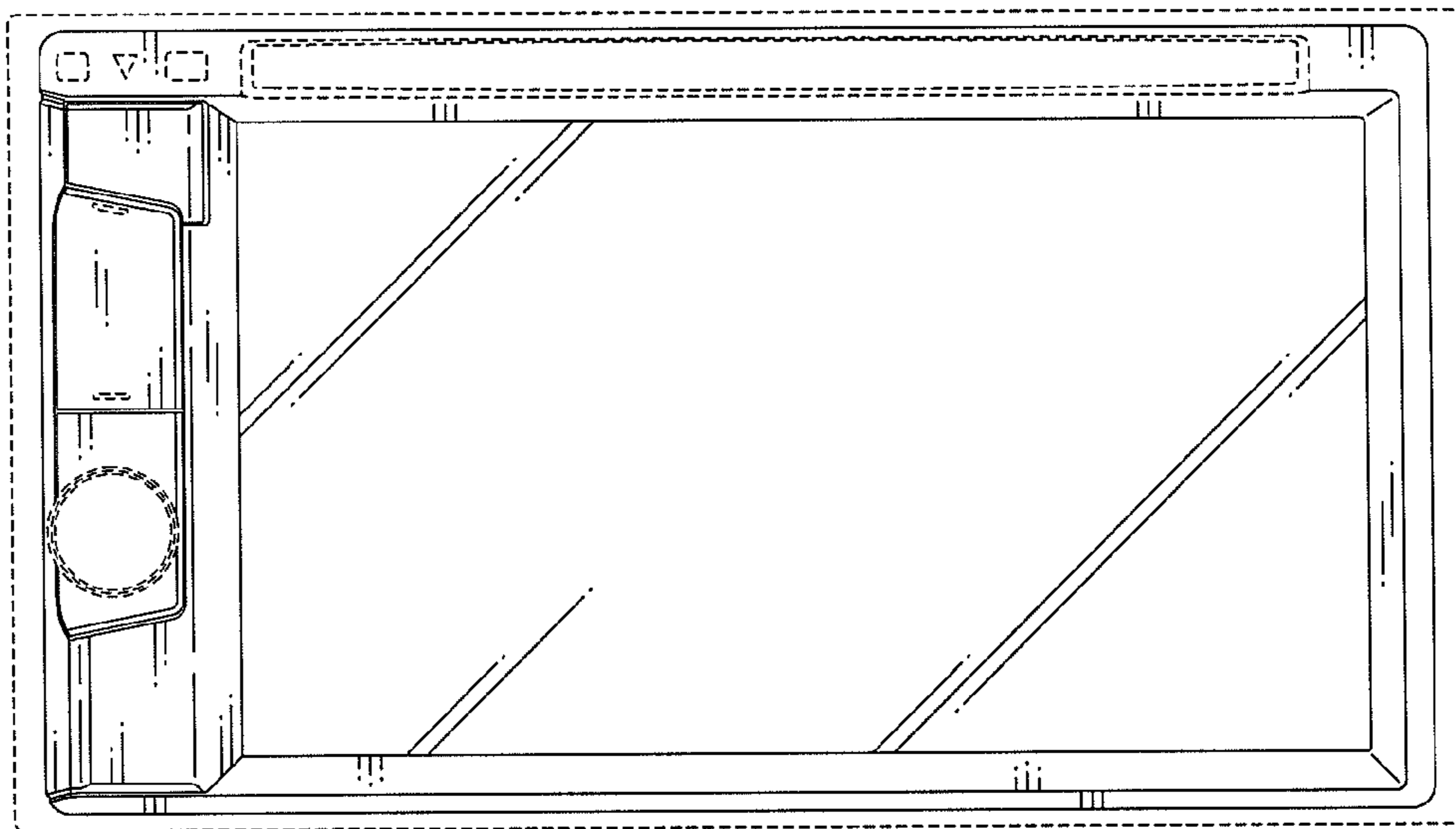


Fig. 3



Fig. 4



Fig. 5

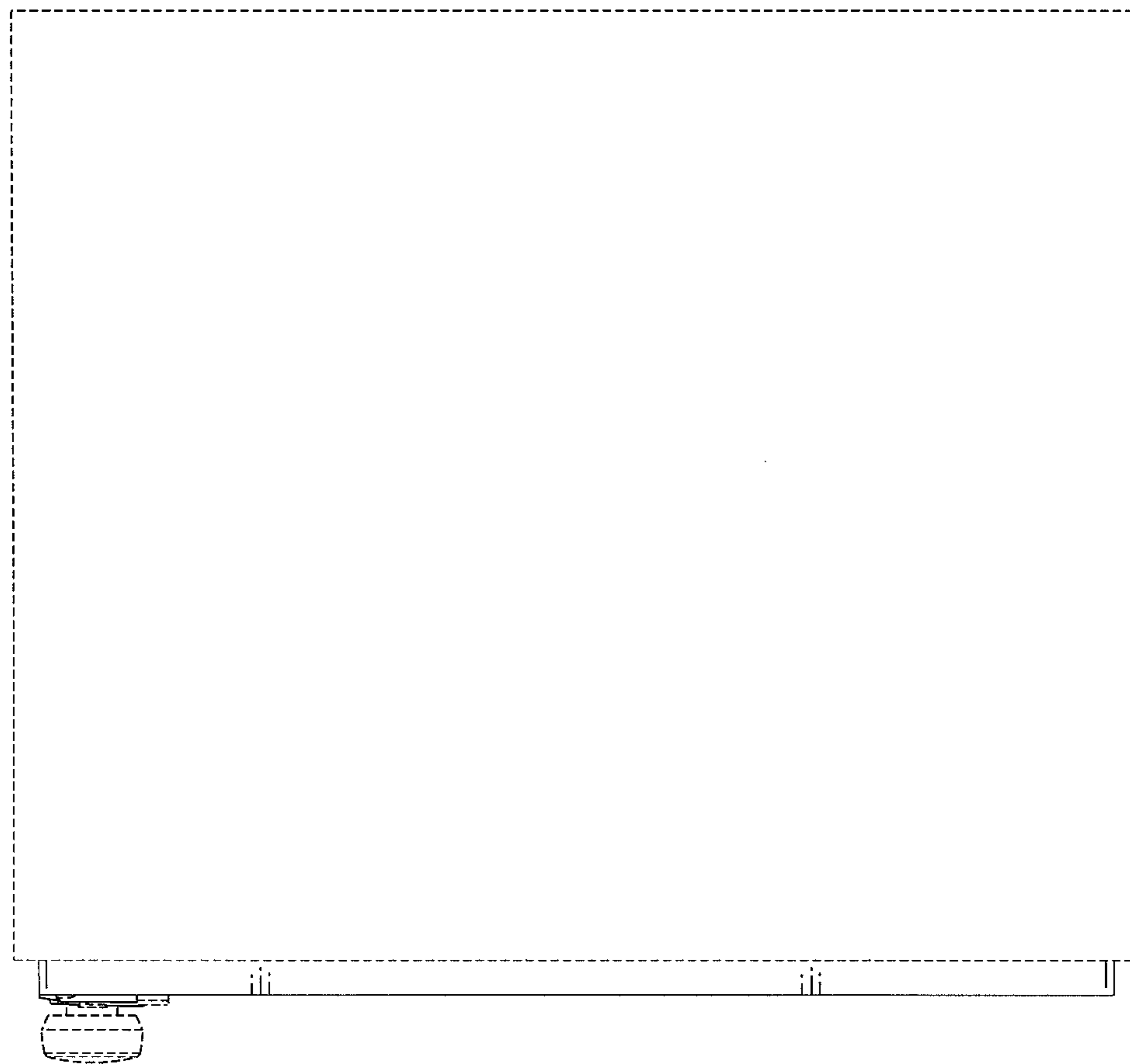


Fig. 6

