



US00D737856S

(12) **United States Design Patent**
Paolantonio et al.

(10) **Patent No.:** **US D737,856 S**
(45) **Date of Patent:** **** Sep. 1, 2015**

(54) **DISPLAY SCREEN WITH ANIMATED GRAPHICAL USER INTERFACE**

(71) Applicant: **Microsoft Corporation**, Redmond, WA (US)

(72) Inventors: **Sergio Paolantonio**, Seattle, WA (US);
Matt Peltier, Seattle, WA (US);
Matthew Hartman, Seattle, WA (US);
Gregg Wygonik, Seattle, WA (US)

(73) Assignee: **Microsoft Corporation**, Redmond, WA (US)

(**) Term: **14 Years**

(21) Appl. No.: **29/473,272**

(22) Filed: **Nov. 20, 2013**

(51) **LOC (10) Cl.** **14-04**

(52) **U.S. Cl.**
USPC **D14/495**

(58) **Field of Classification Search**
USPC D14/485-495; 715/835, 836, 837, 840,
715/846, 847, 976, 977
CPC ... G06F 3/048; G06F 3/0481; G06F 3/04817;
G06F 3/0482
See application file for complete search history.

(56) **References Cited**

U.S. PATENT DOCUMENTS

D385,547 S * 10/1997 Snell D14/495
D390,548 S * 2/1998 Maekawa et al. D14/488

(Continued)

Primary Examiner — Angela J Lee

(74) *Attorney, Agent, or Firm* — Banner & Witcoff, Ltd.

(57) **CLAIM**

The ornamental design for a display screen with animated graphical user interface, as shown and described.

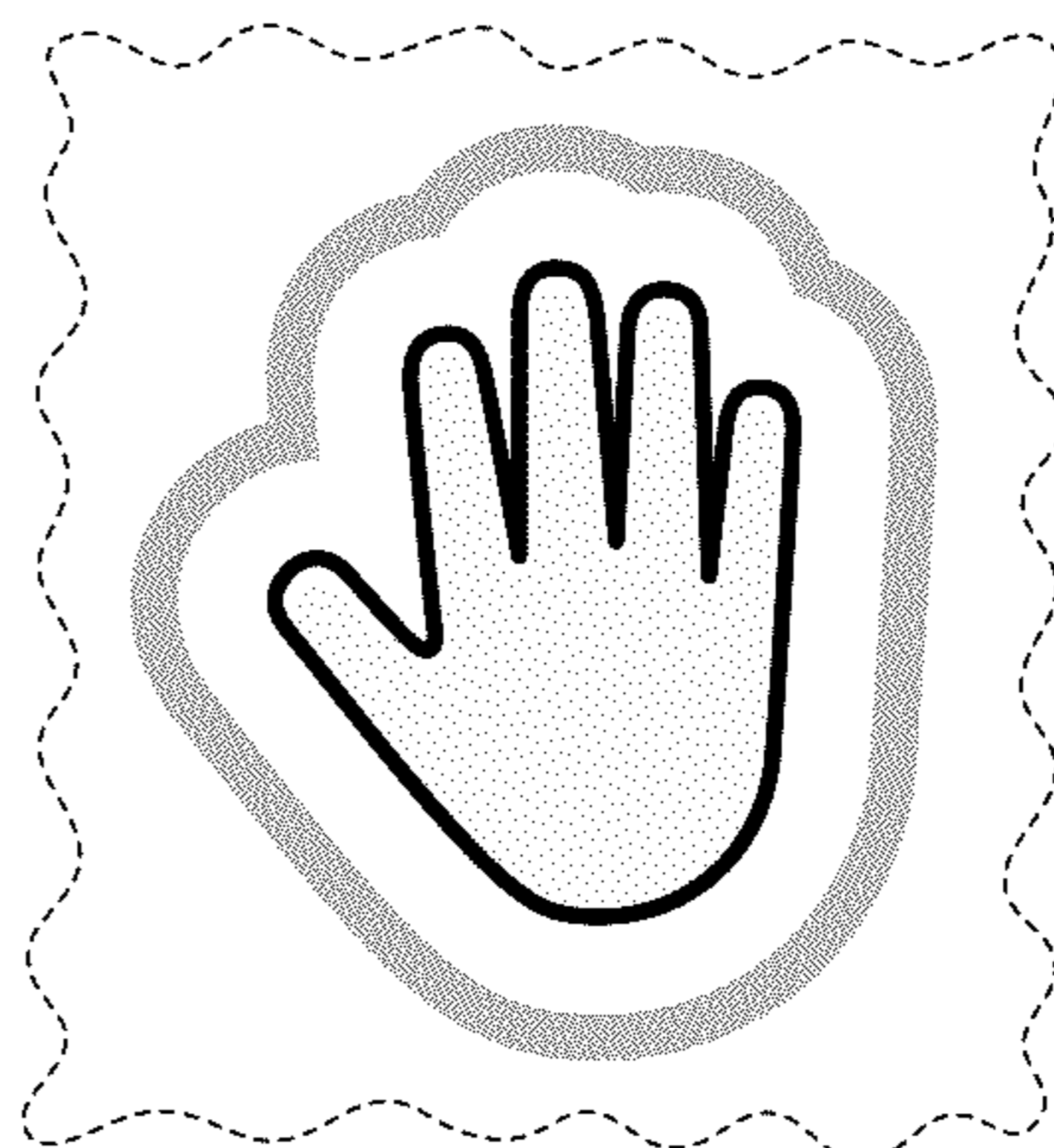
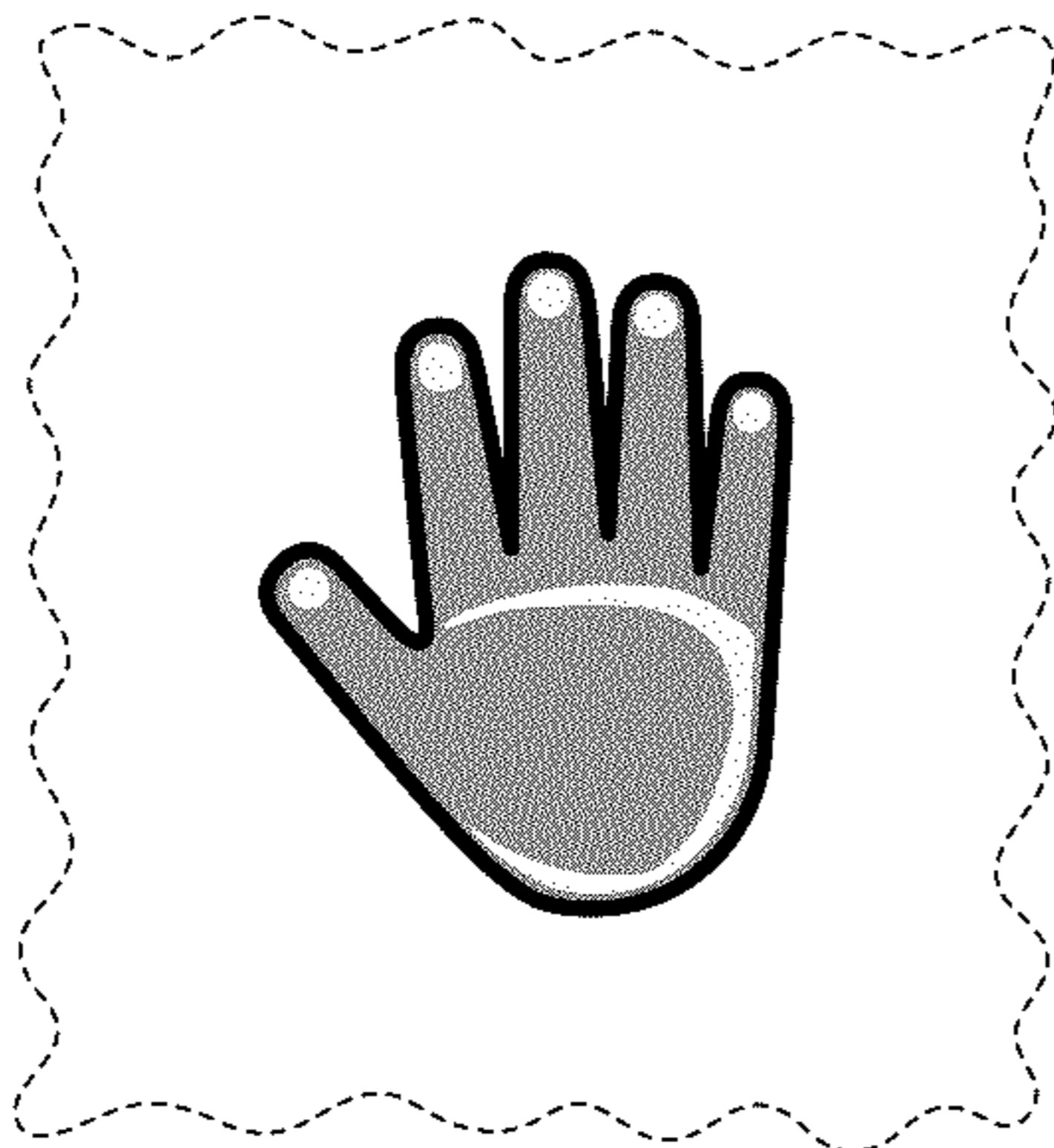
DESCRIPTION

FIG. 1 is the first image in a sequence for a display screen with animated graphical user interface showing our new design;

FIG. 2 is the second image thereof;
FIG. 3 is the third image thereof;
FIG. 4 is the fourth image thereof;
FIG. 5 is the fifth image thereof;
FIG. 6 is the sixth image thereof;
FIG. 7 is the seventh image thereof;
FIG. 8 is the eighth image thereof;
FIG. 9 is the ninth image thereof;
FIG. 10 is the tenth image thereof;
FIG. 11 is the eleventh image thereof;
FIG. 12 is the twelfth image thereof;
FIG. 13 is the thirteenth image thereof;
FIG. 14 is the fourteenth image thereof;
FIG. 15 is the fifteenth image thereof;
FIG. 16 is the sixteenth image thereof;
FIG. 17 is the seventeenth image thereof;
FIG. 18 is the eighteenth image thereof;
FIG. 19 is the nineteenth image thereof;
FIG. 20 is the first image in a sequence for the display screen with animated graphical user interface shown on a device;
FIG. 21 is the second image thereof;
FIG. 22 is the third image thereof;
FIG. 23 is the fourth image thereof;
FIG. 24 is the fifth image thereof;
FIG. 25 is the sixth image thereof;
FIG. 26 is the seventh image thereof;
FIG. 27 is the eighth image thereof;
FIG. 28 is the ninth image thereof;
FIG. 29 is the tenth image thereof;
FIG. 30 is the eleventh image thereof;
FIG. 31 is the twelfth image thereof;
FIG. 32 is the thirteenth image thereof;
FIG. 33 is the fourteenth image thereof;
FIG. 34 is the fifteenth image thereof;
FIG. 35 is the sixteenth image thereof;
FIG. 36 is the seventeenth image thereof;
FIG. 37 is the eighteenth image thereof; and,
FIG. 38 is the nineteenth image thereof.

The appearance of the animated graphical user interface sequentially transitions between the images shown in FIGS. 1-19 and FIGS. 20-38. The process or period in which one image transitions to another forms no part of the claimed design. FIGS. 20-38 are included for purposes of foreign priority and may be canceled prior to issuance. The broken-line showing of the remainder of the user interface and the remainder of the display screen is for environmental purposes only and forms no part of the claimed design.

1 Claim, 38 Drawing Sheets



(56)

References Cited

U.S. PATENT DOCUMENTS

D563,418 S * 3/2008 Yamashita et al. D14/485
D563,419 S * 3/2008 Yamashita et al. D14/485
D589,525 S * 3/2009 Orellana et al. D14/486
D644,661 S 9/2011 Gardner et al.

D644,662 S * 9/2011 Gardner et al. D14/495
D683,366 S * 5/2013 Gardner et al. D14/495
D688,680 S * 8/2013 Fleischmann et al. D14/486
D716,841 S * 11/2014 Allyn D14/495
D719,586 S * 12/2014 Jon D14/495
D721,715 S * 1/2015 Bauermeister D14/485
2014/0039861 A1* 2/2014 Kawakami et al. 703/11

* cited by examiner

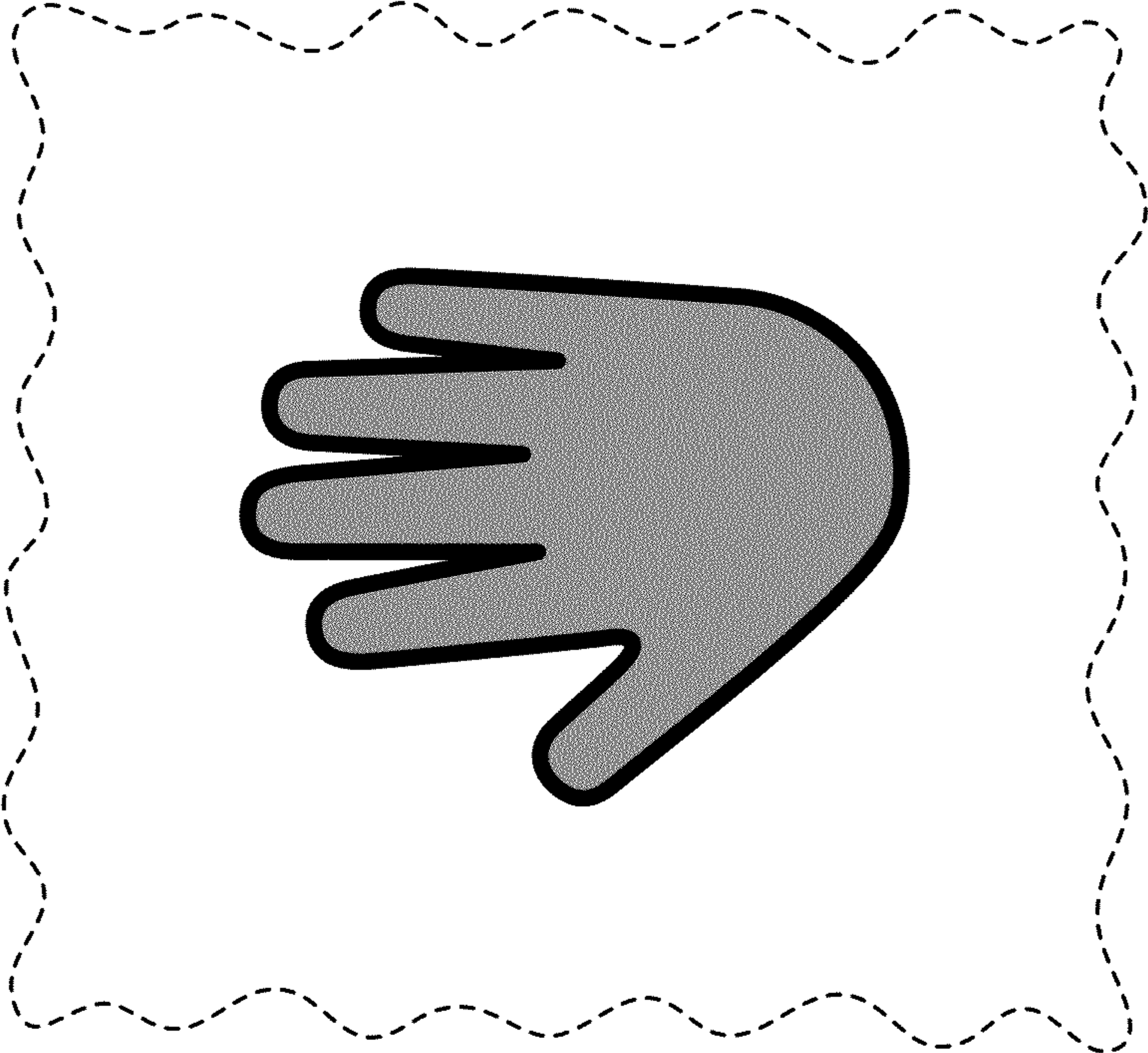


FIG. 1

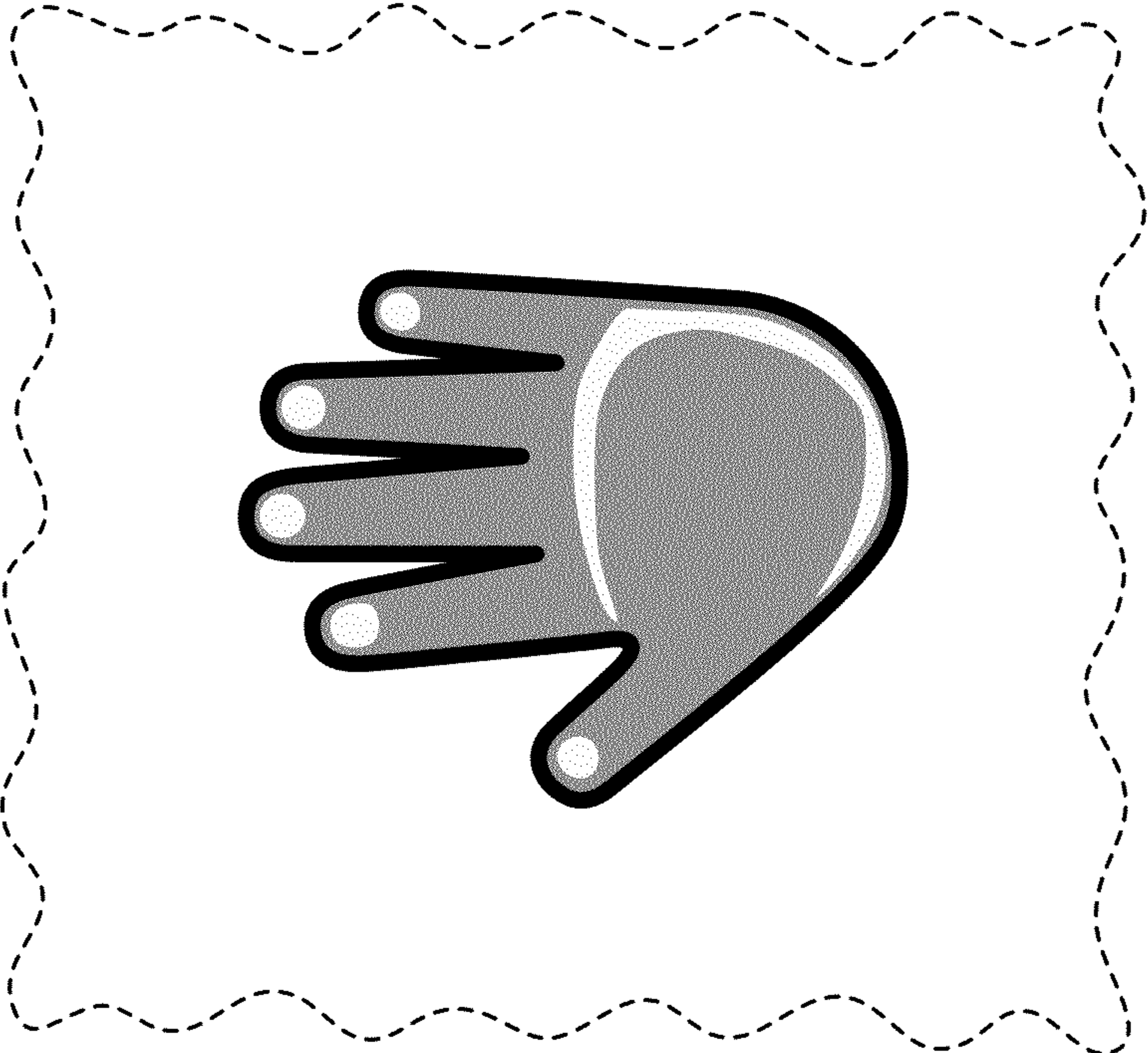


FIG. 2

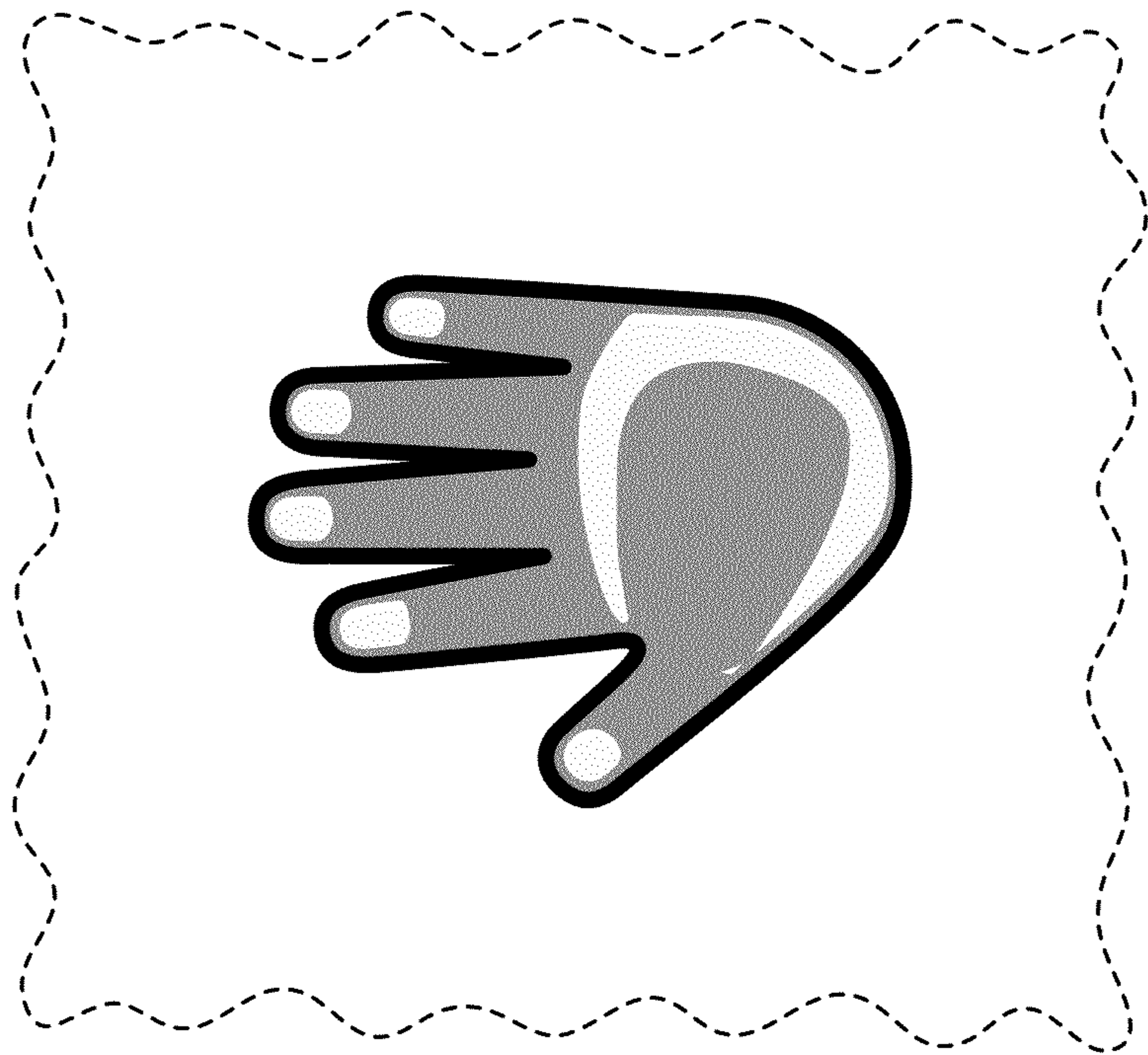


FIG. 3

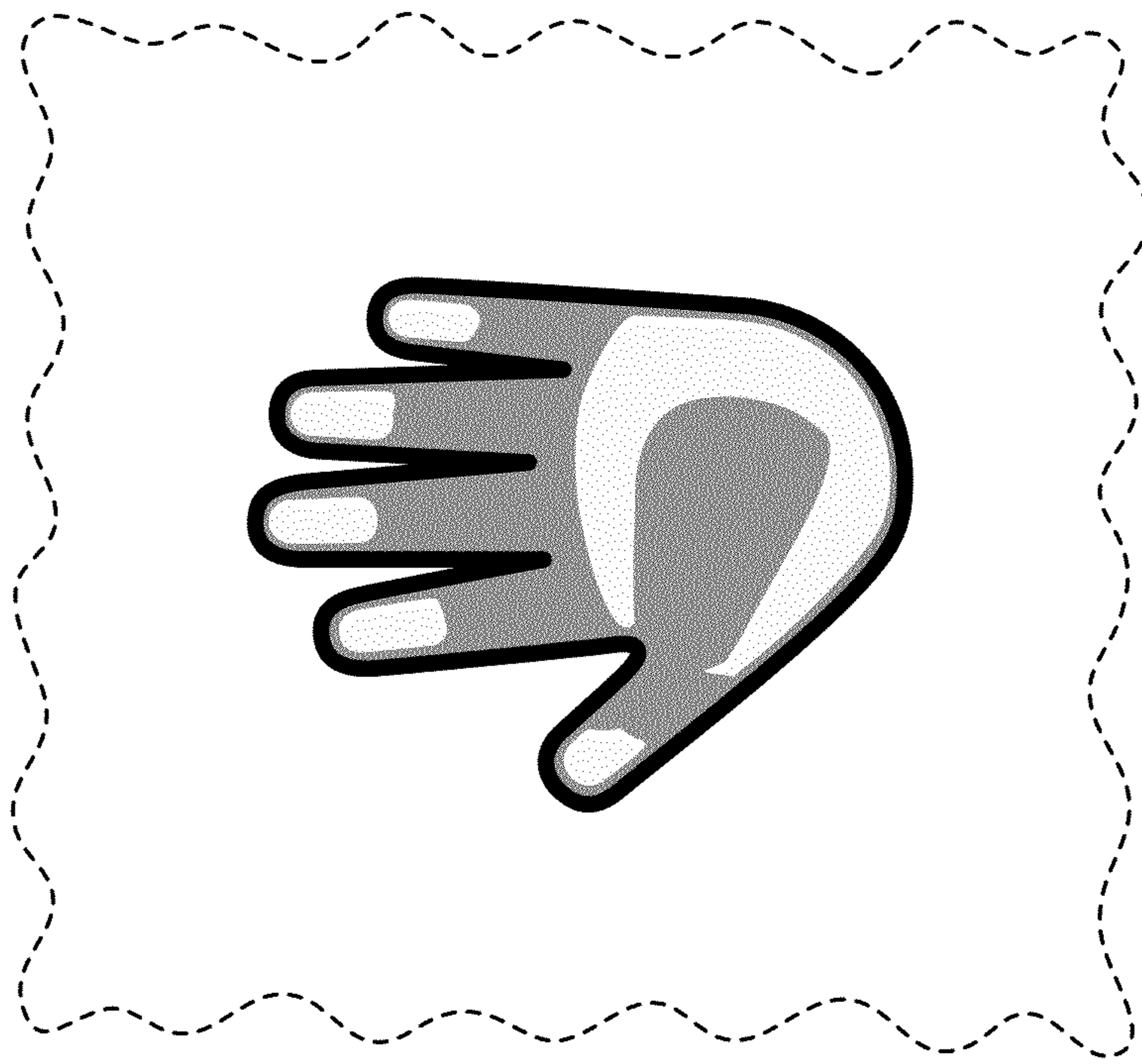


FIG. 4

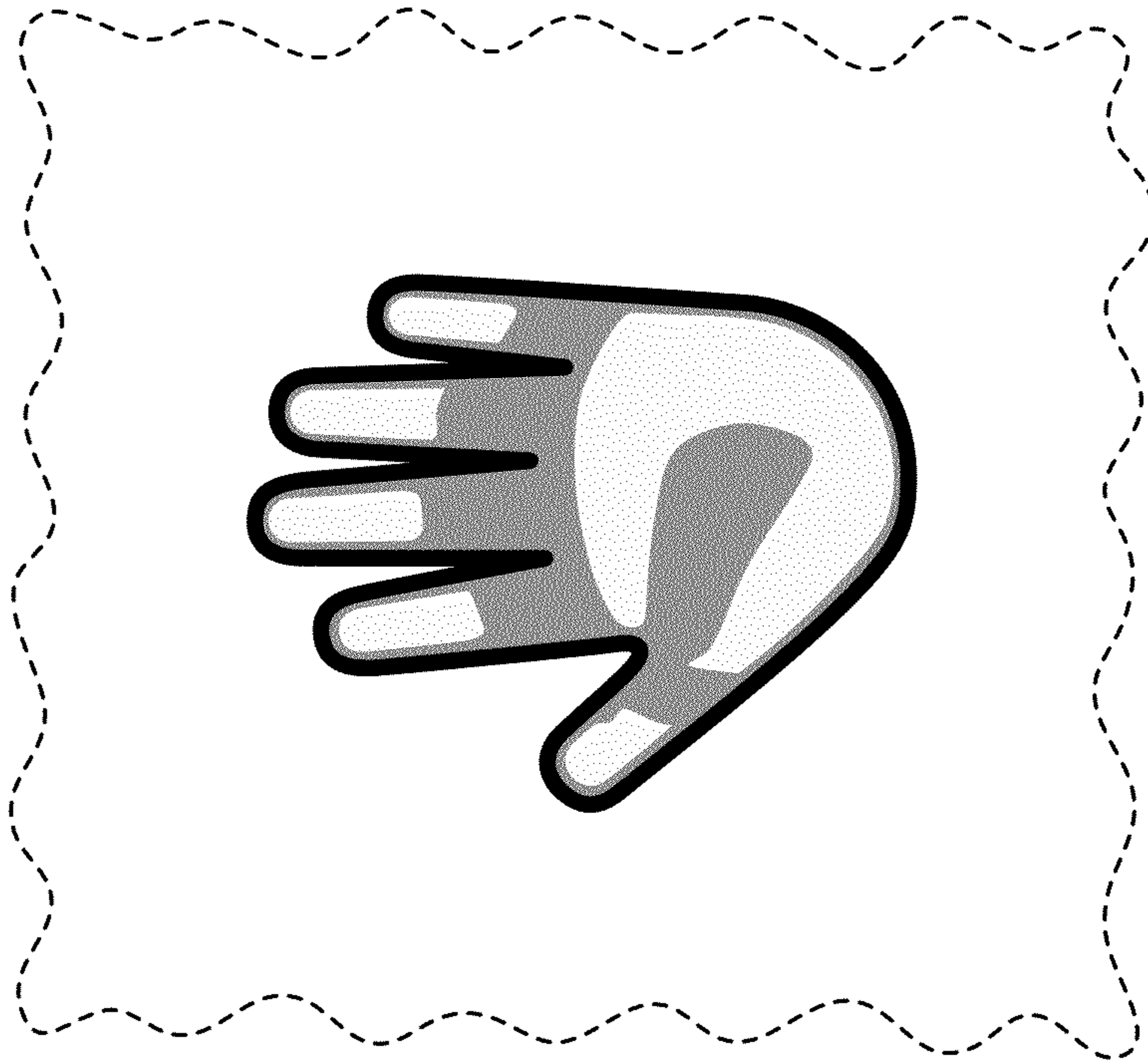


FIG. 5

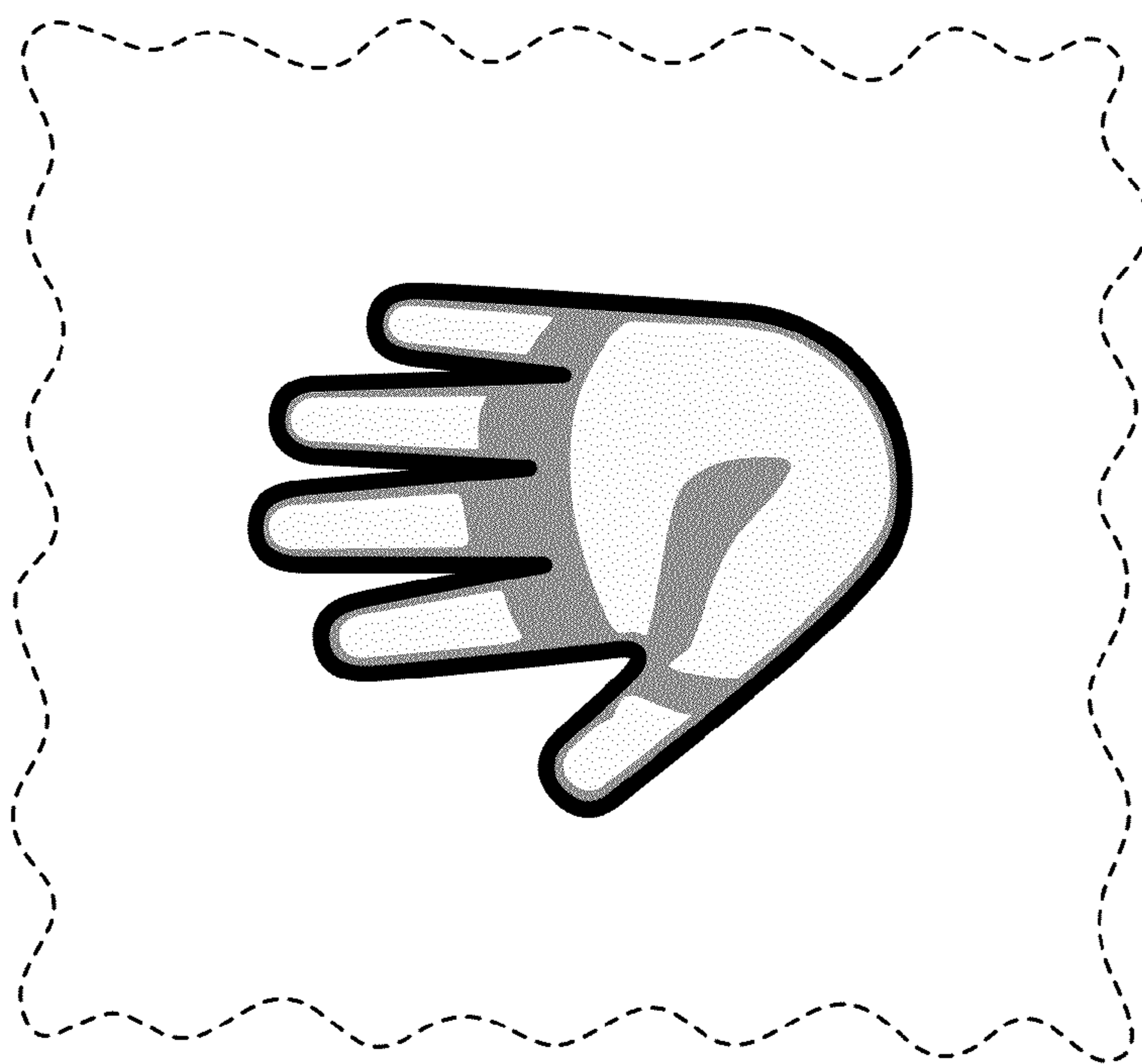


FIG. 6

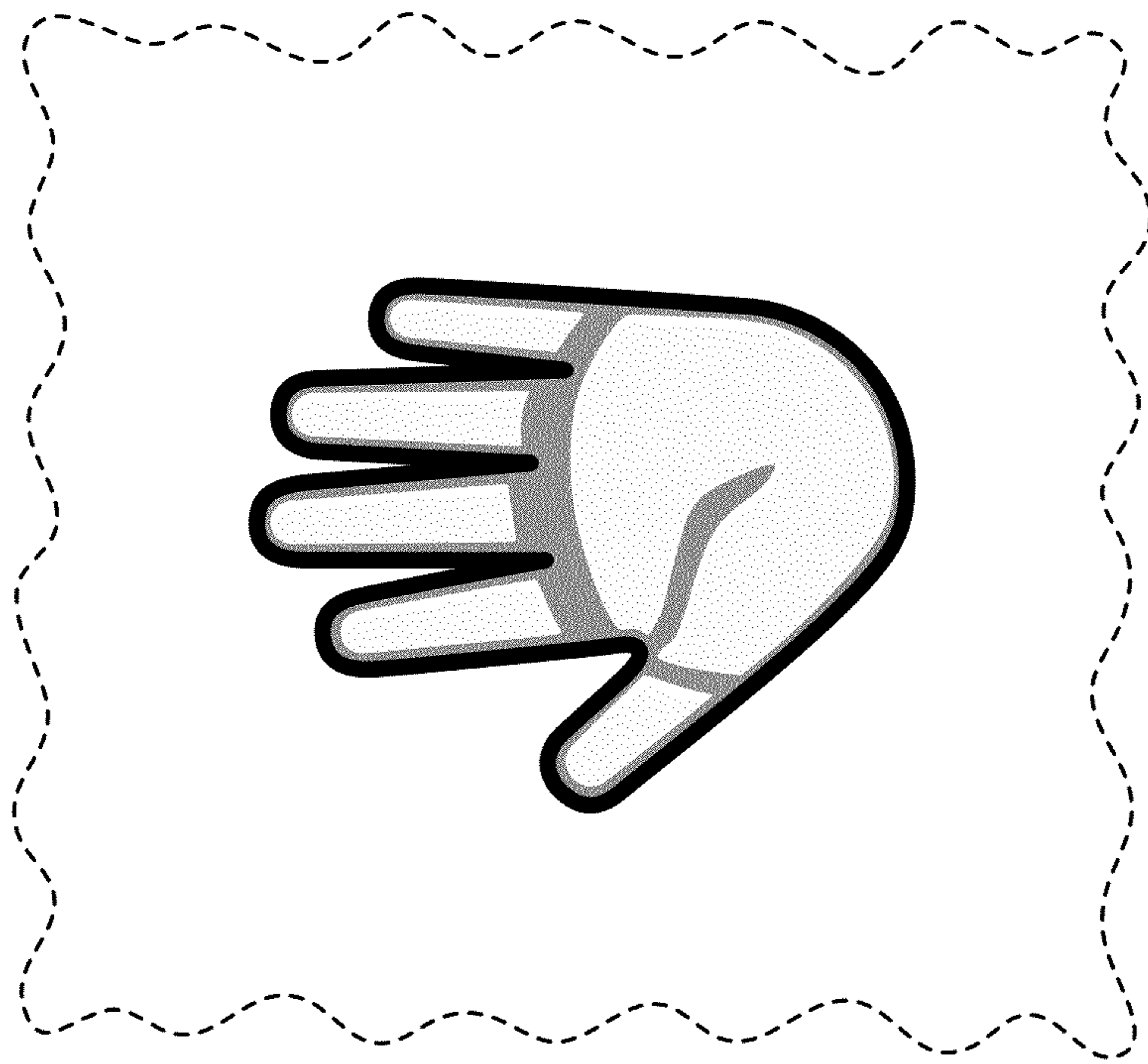


FIG. 7

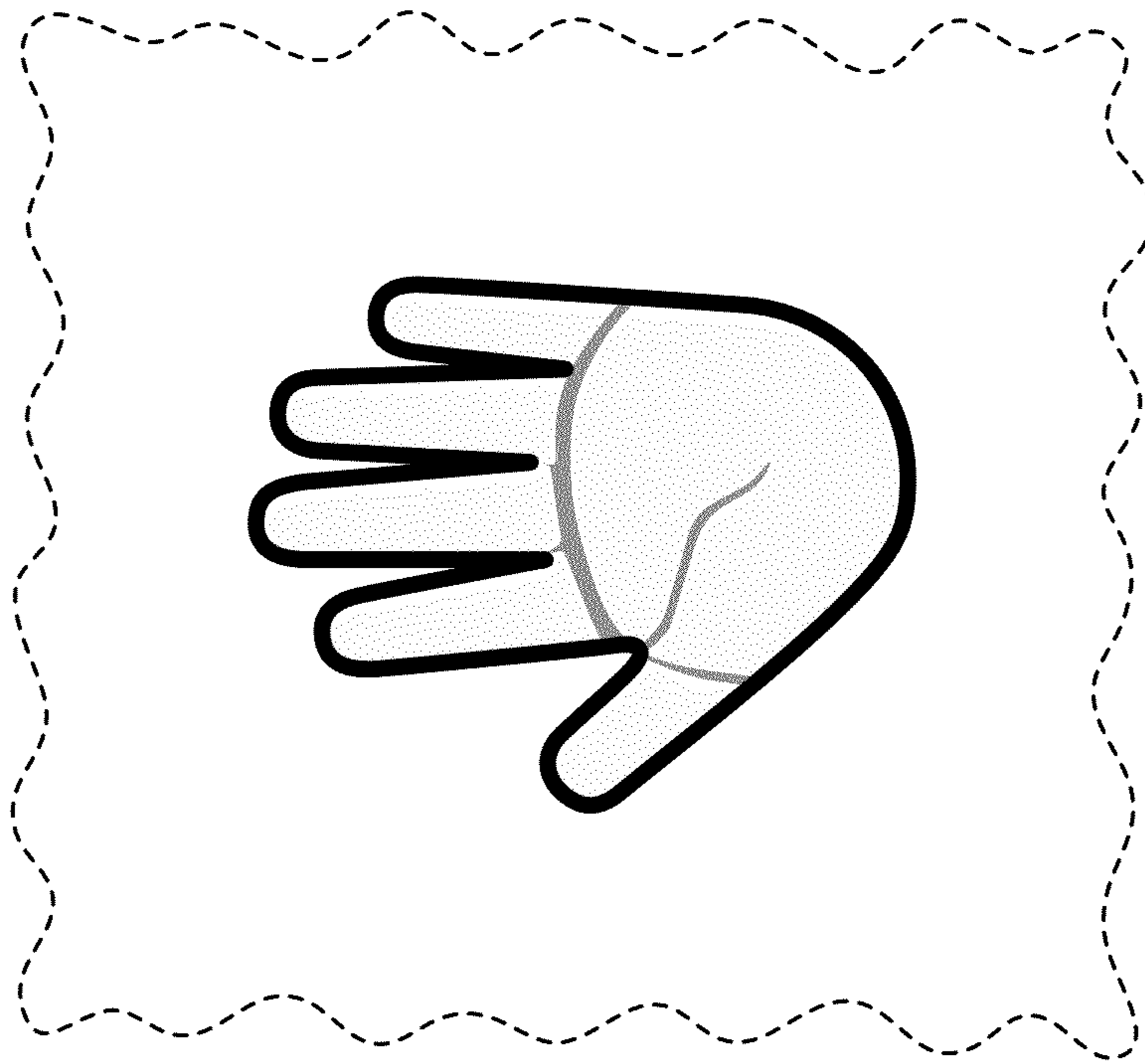


FIG. 8

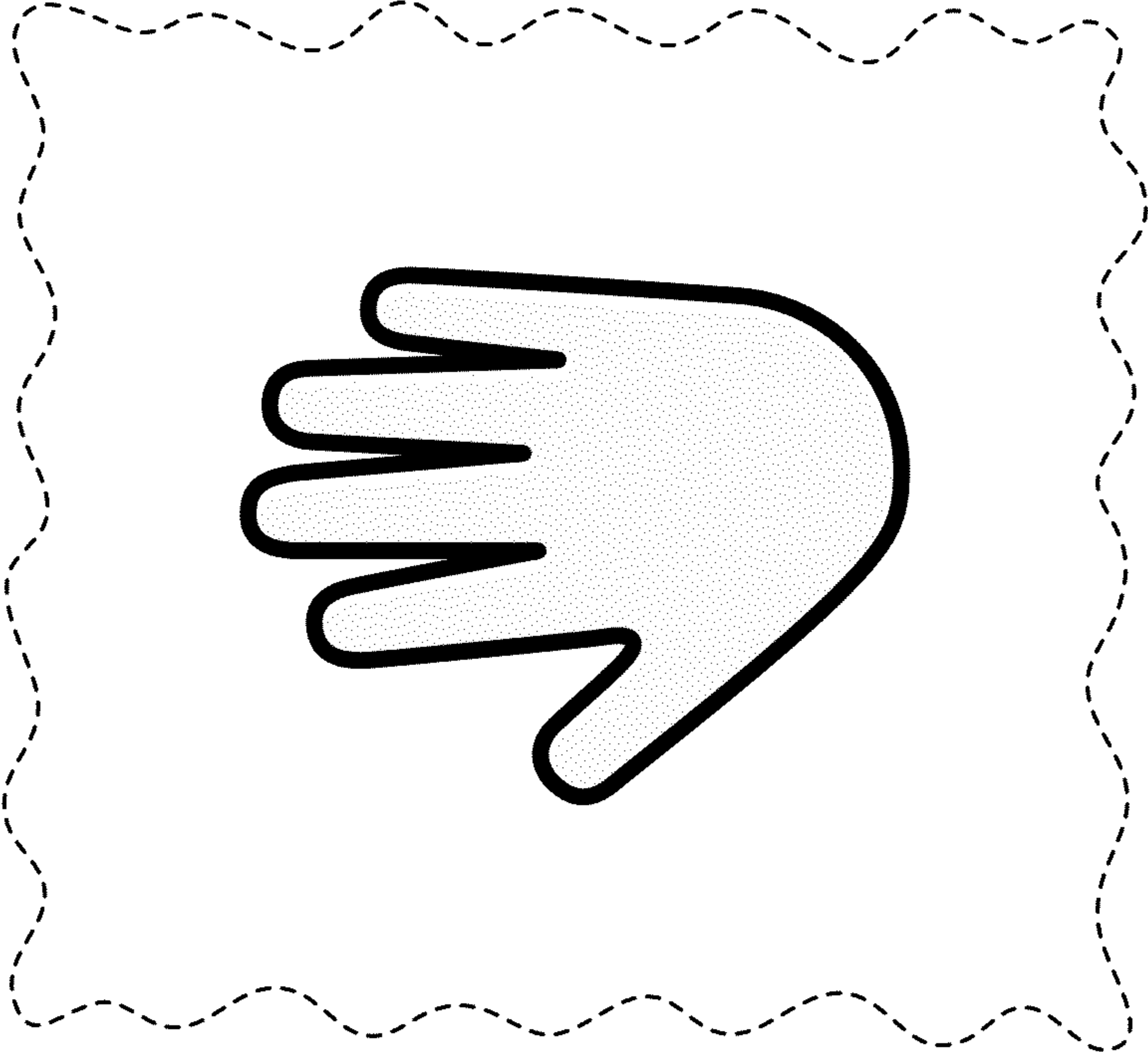


FIG. 9

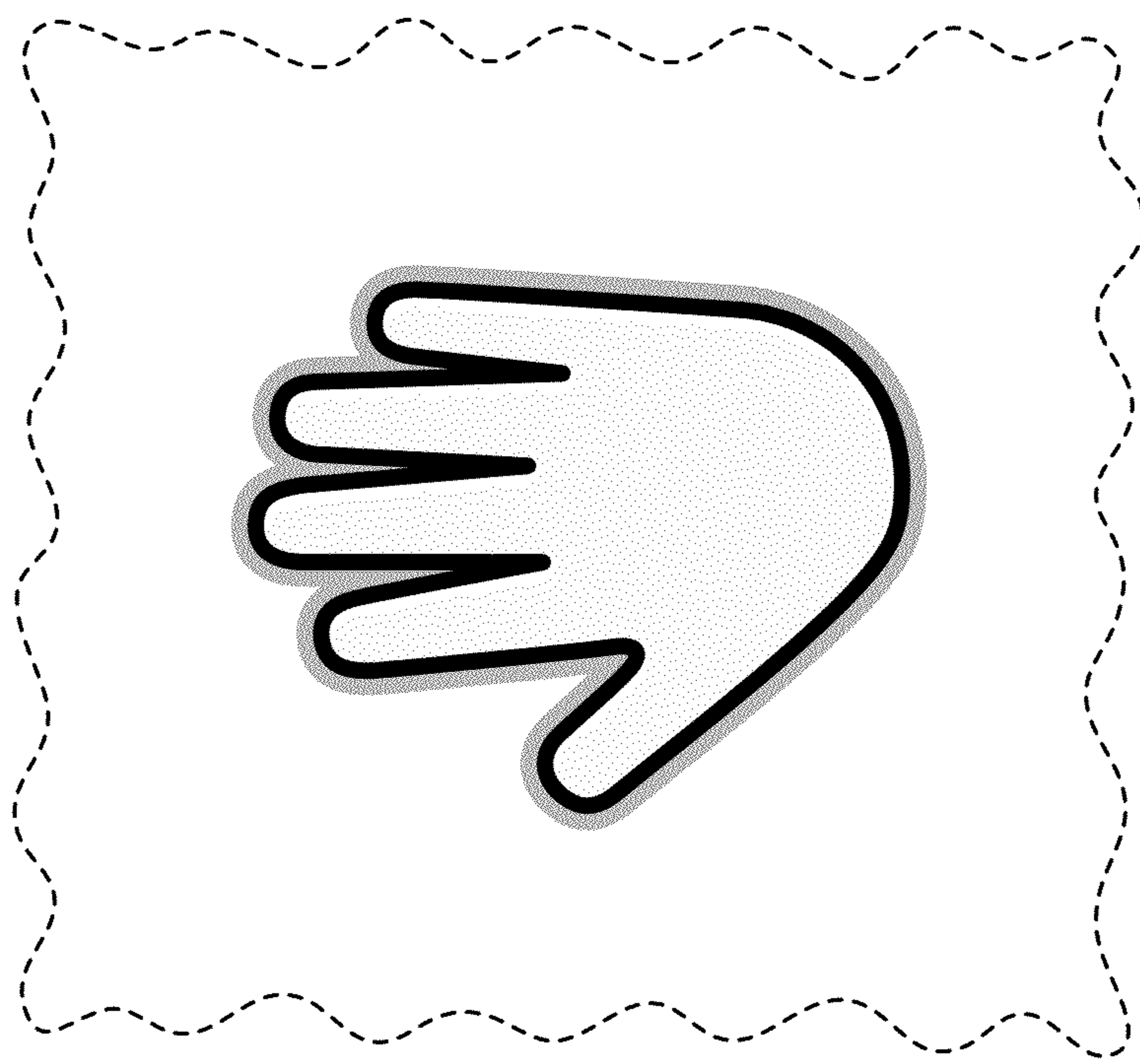


FIG. 10

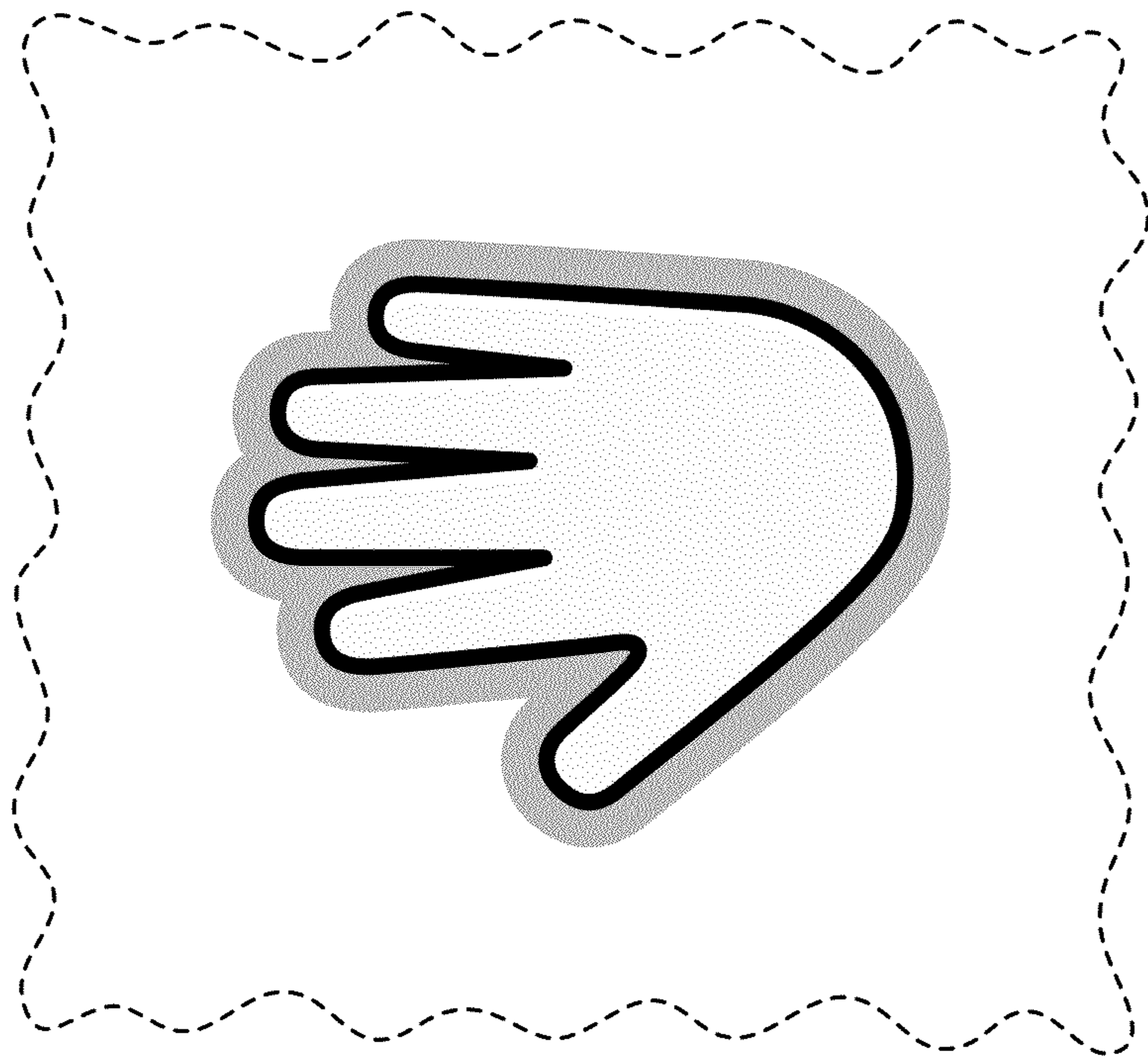


FIG. 11

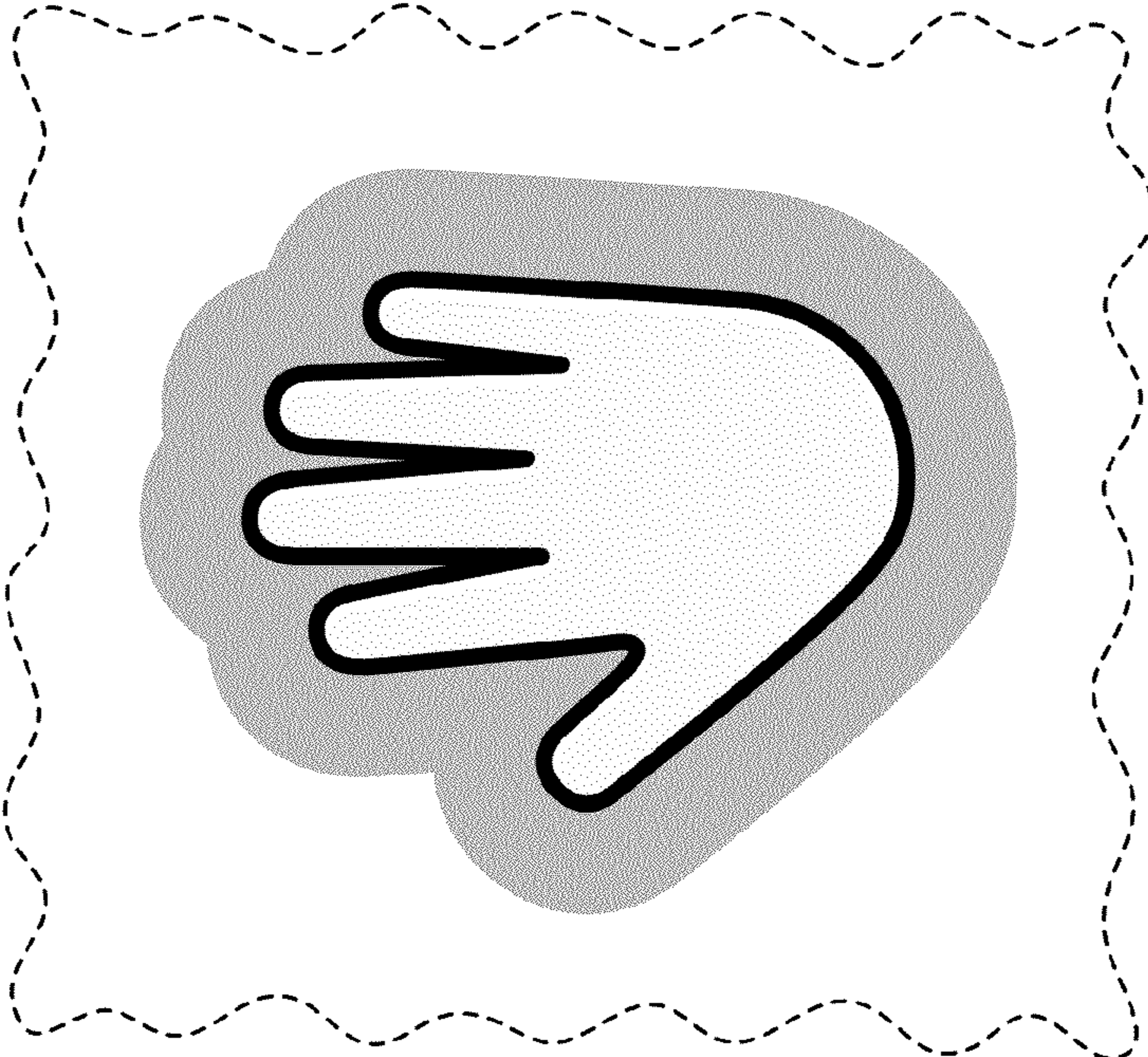


FIG. 12

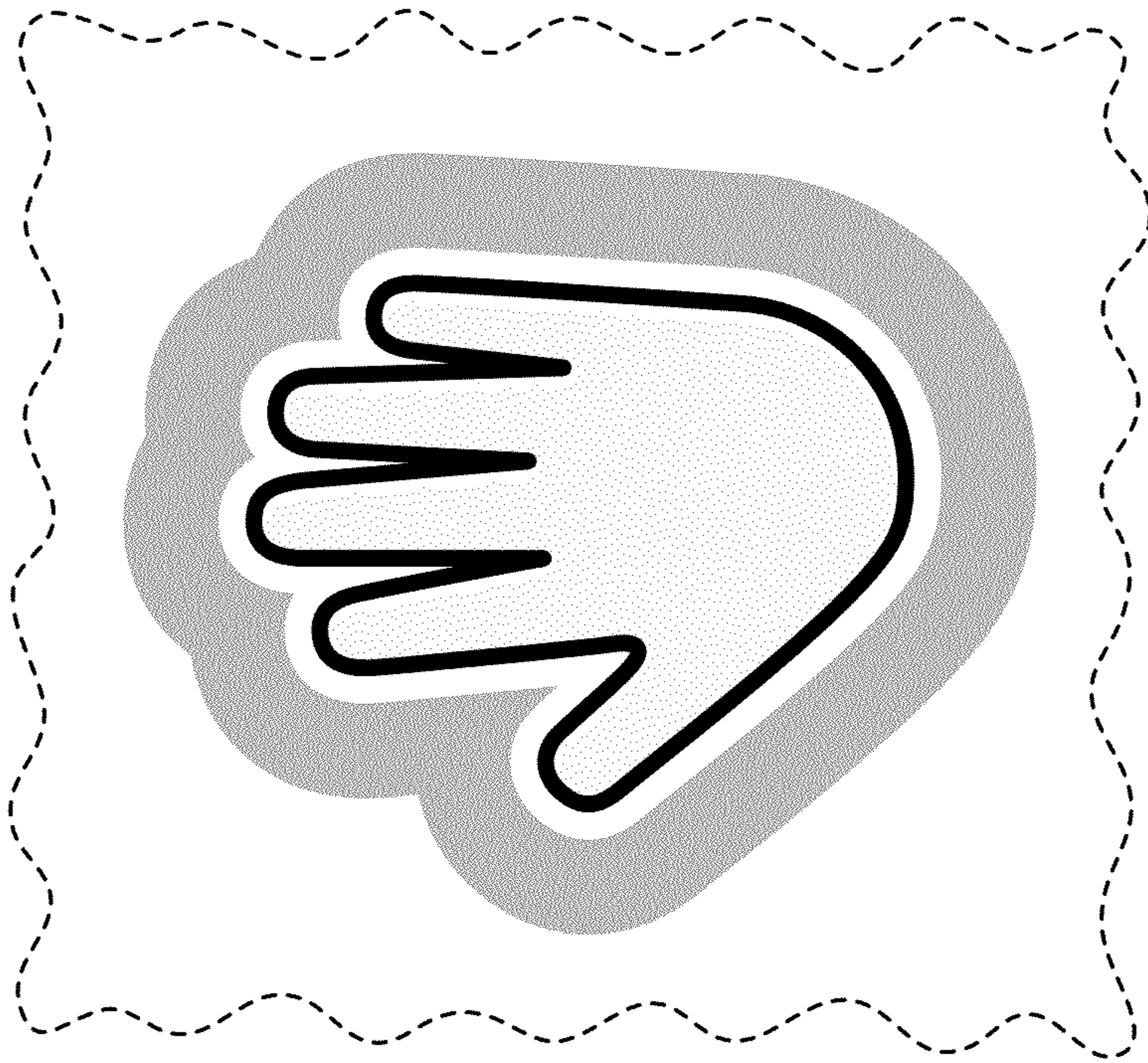


FIG. 13

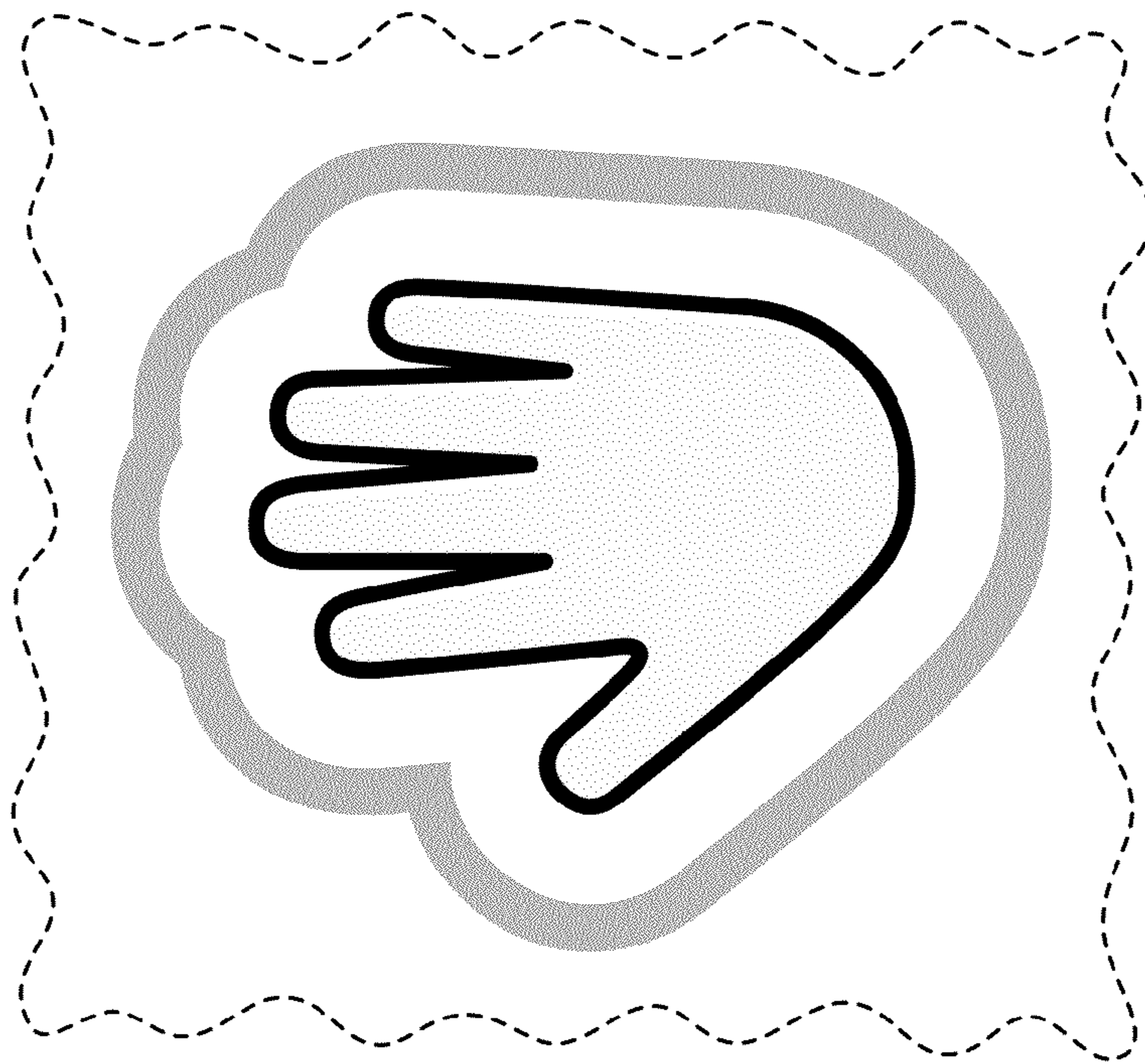


FIG. 14

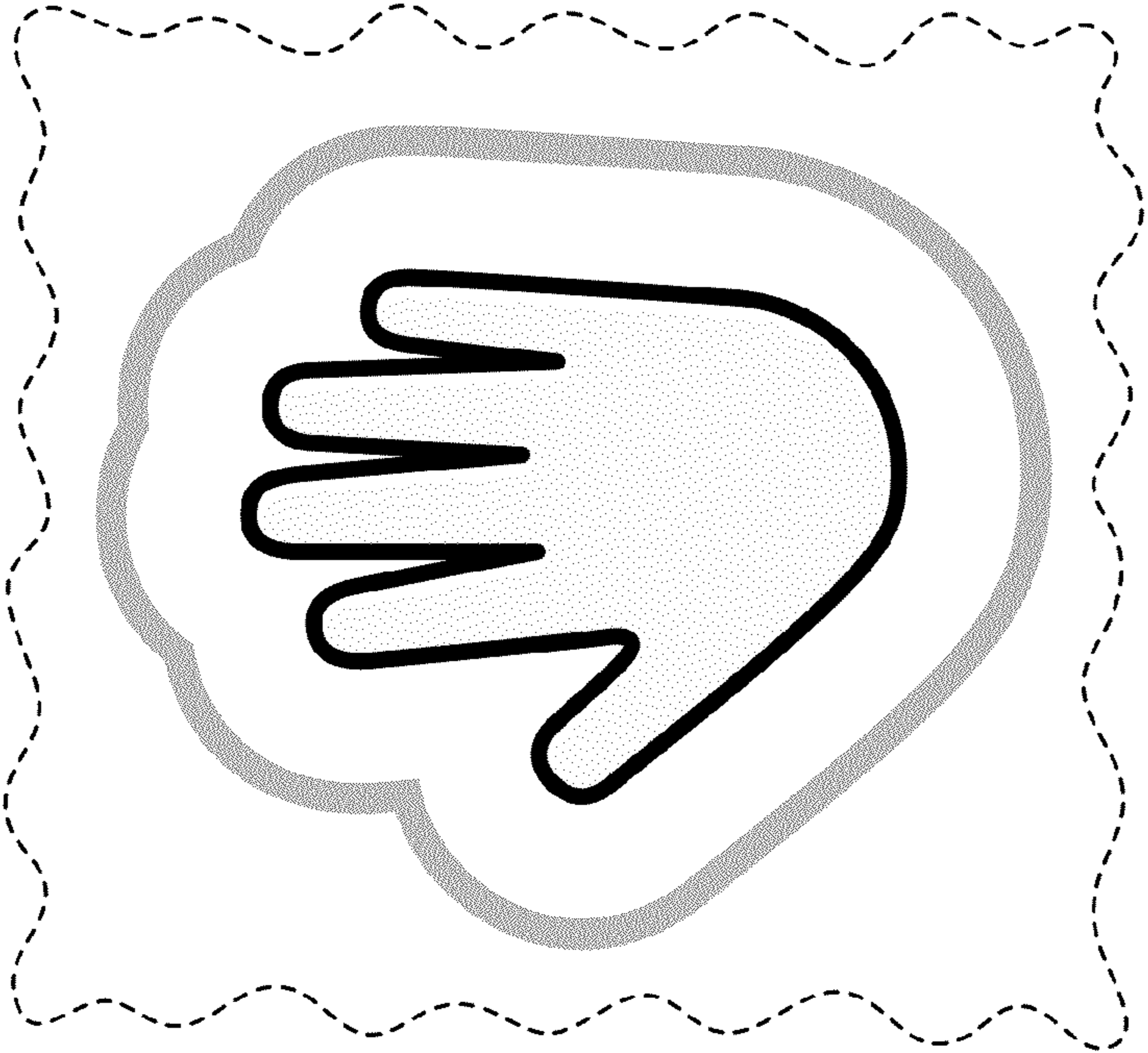


FIG. 15

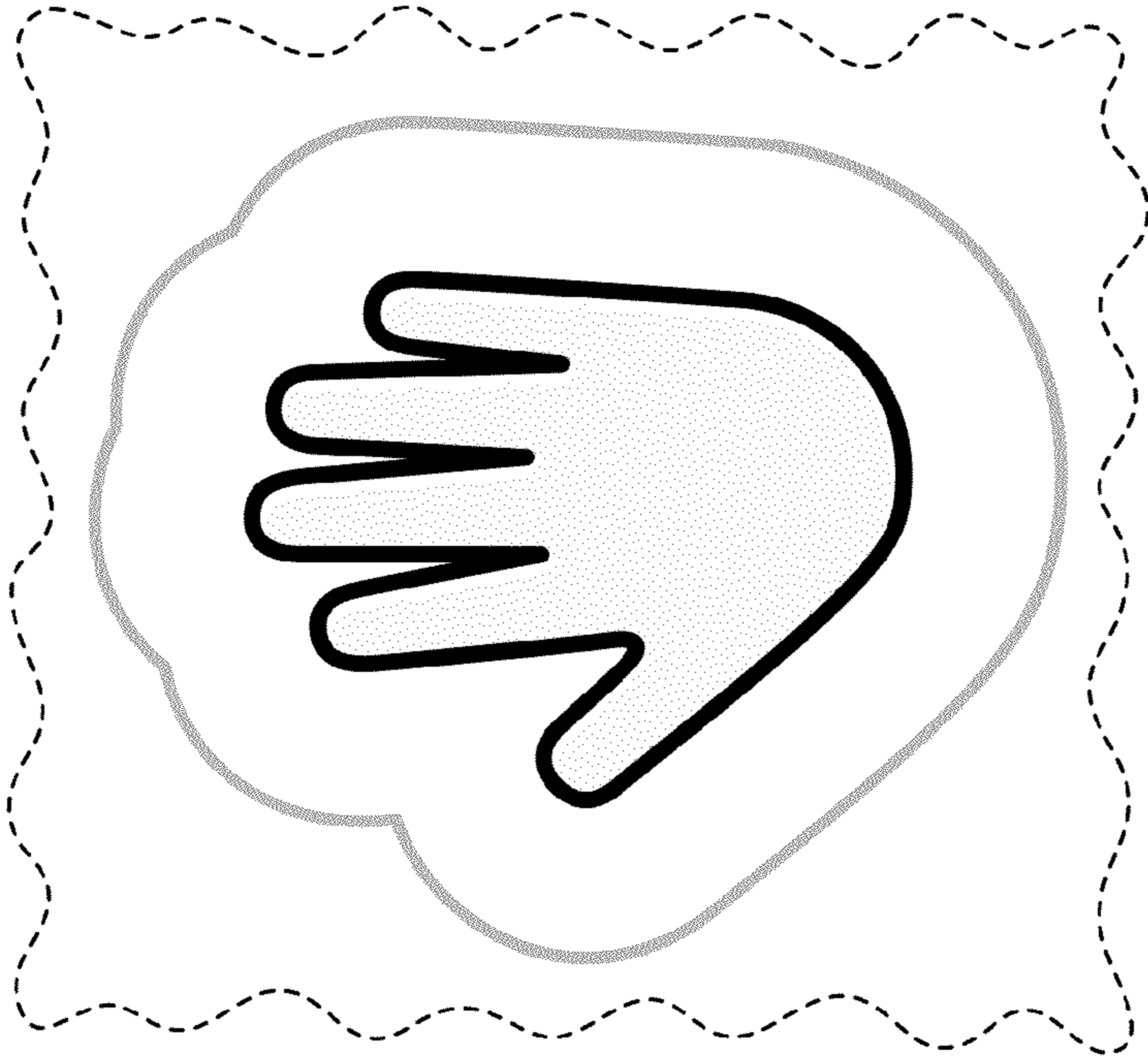


FIG. 16

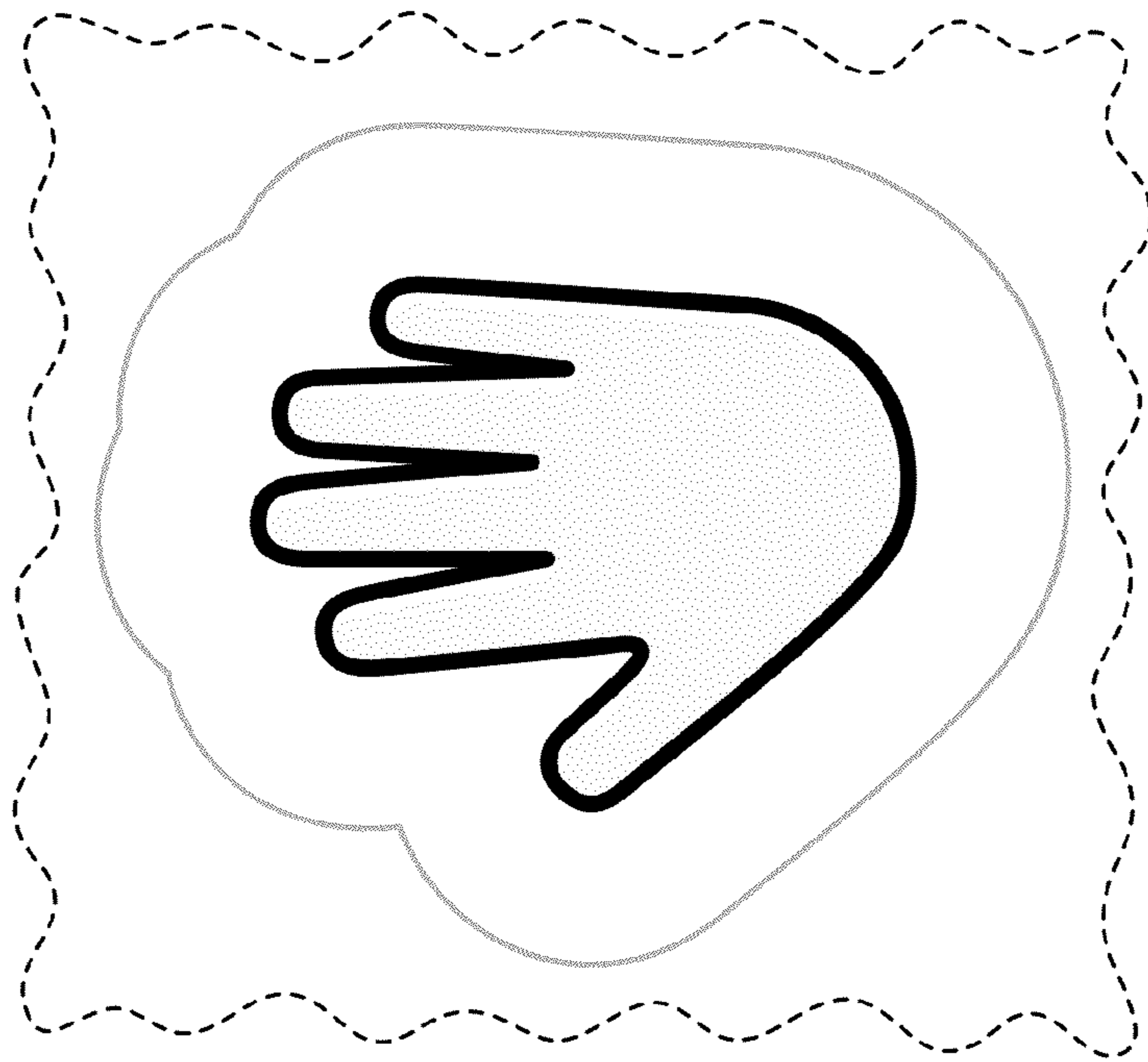


FIG. 17

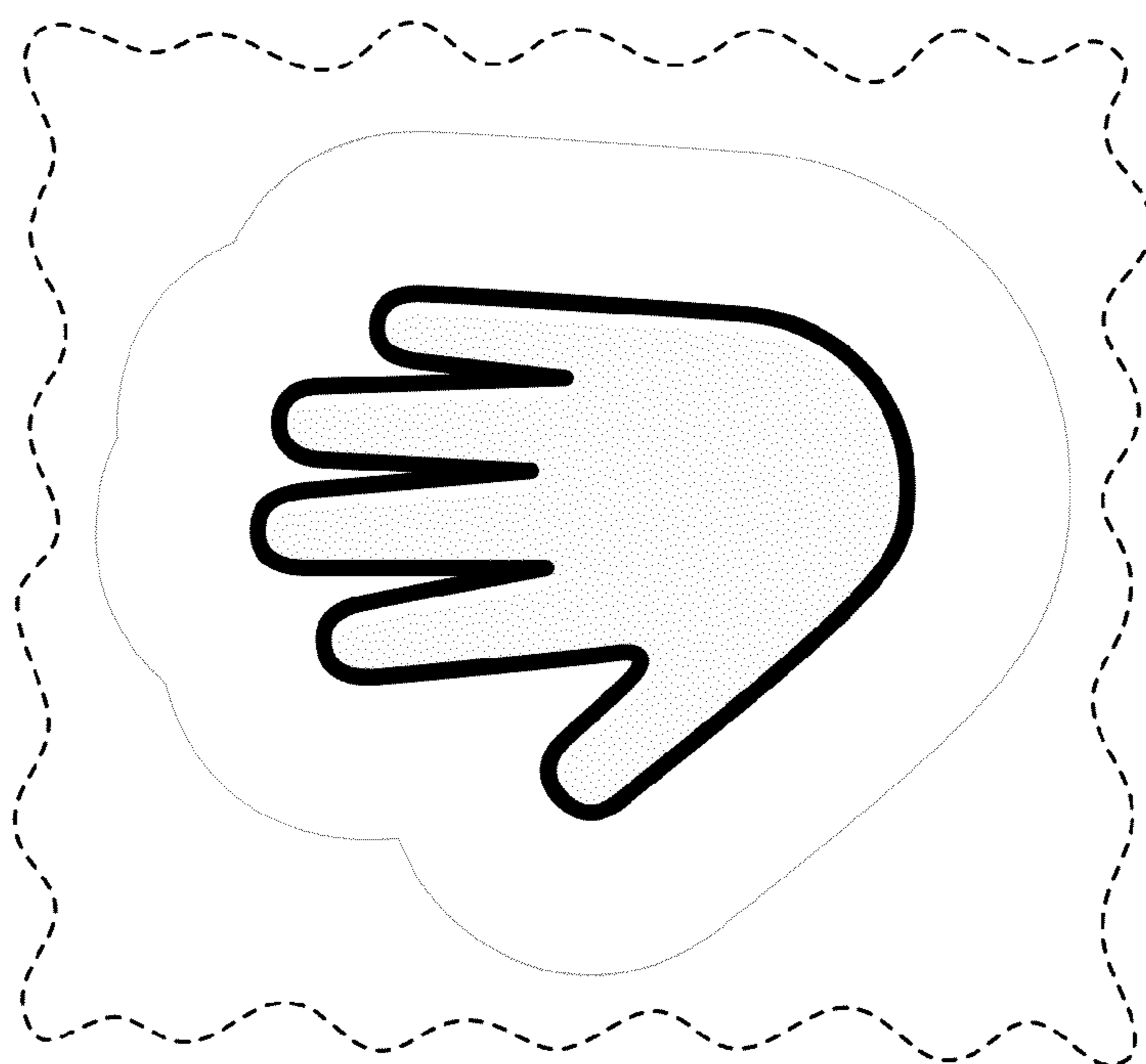


FIG. 18

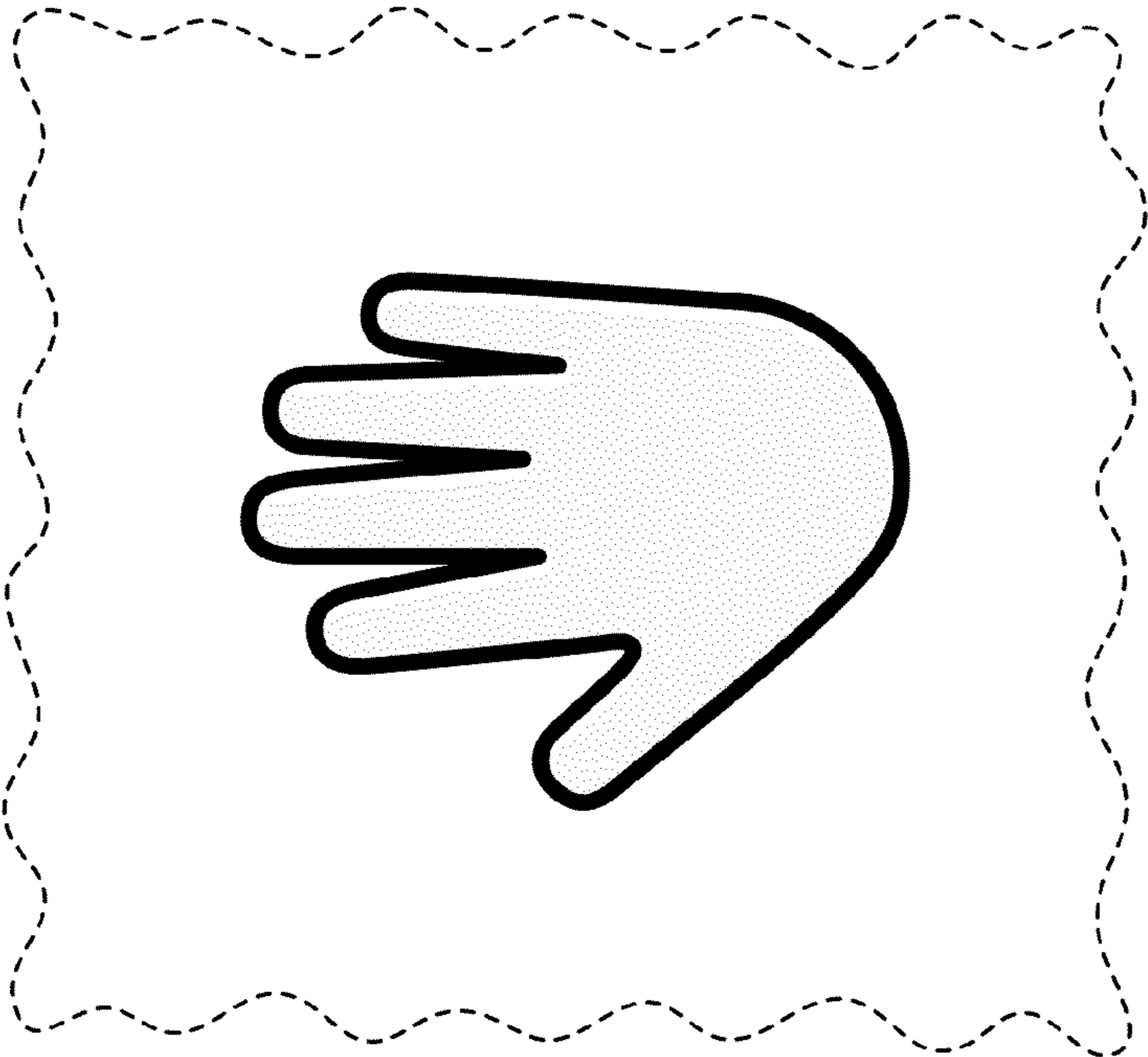


FIG. 19

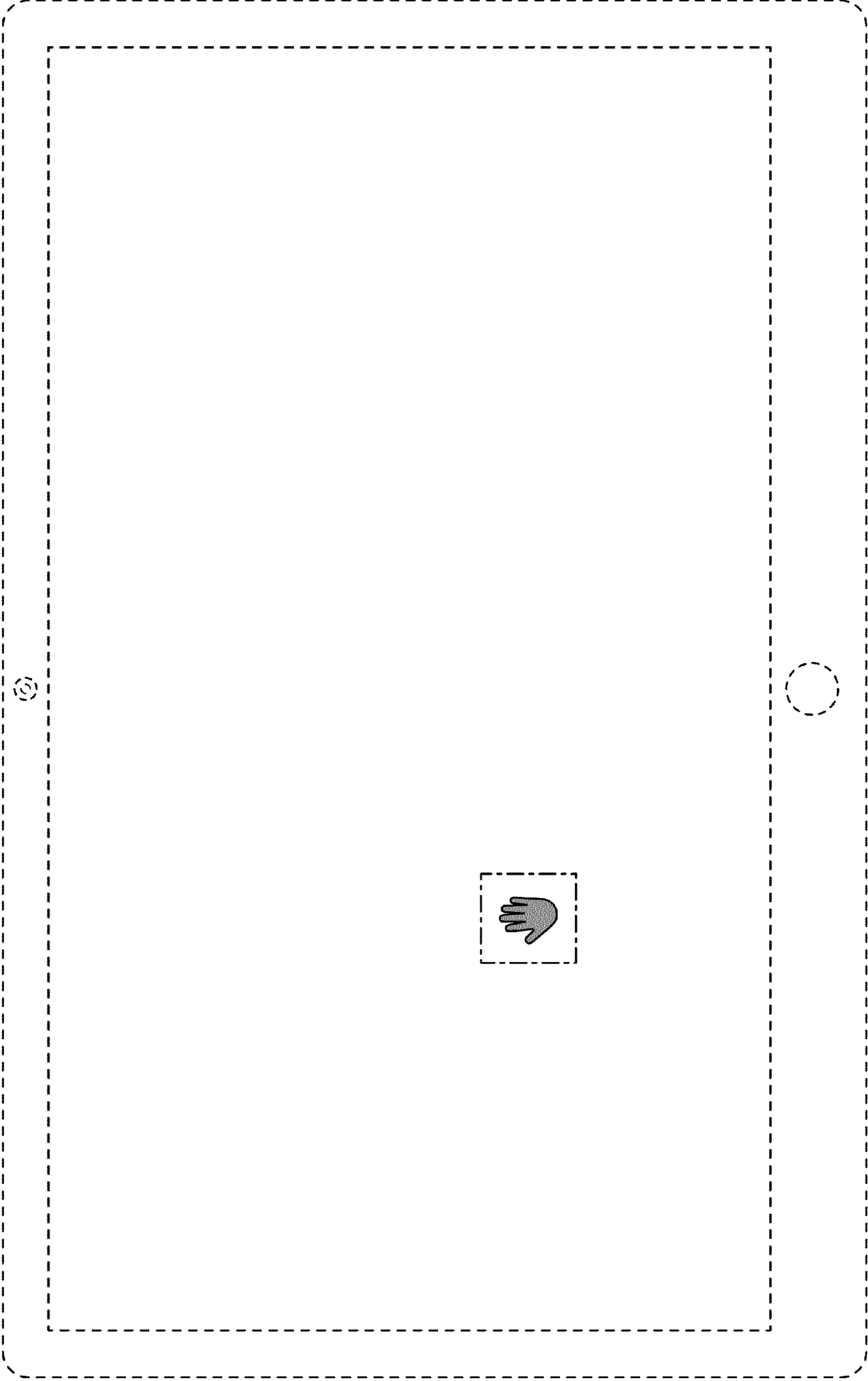


FIG. 20

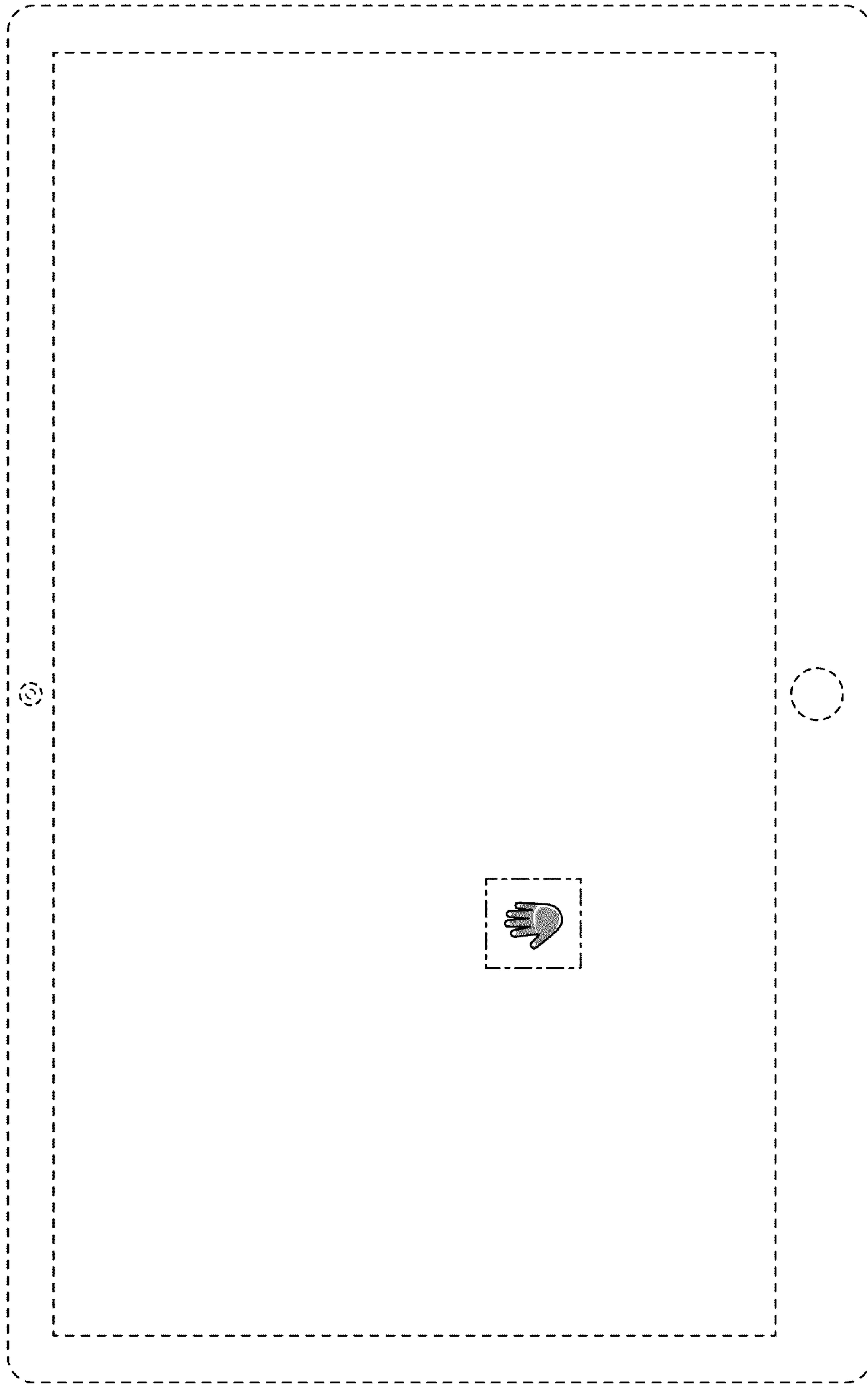


FIG. 21

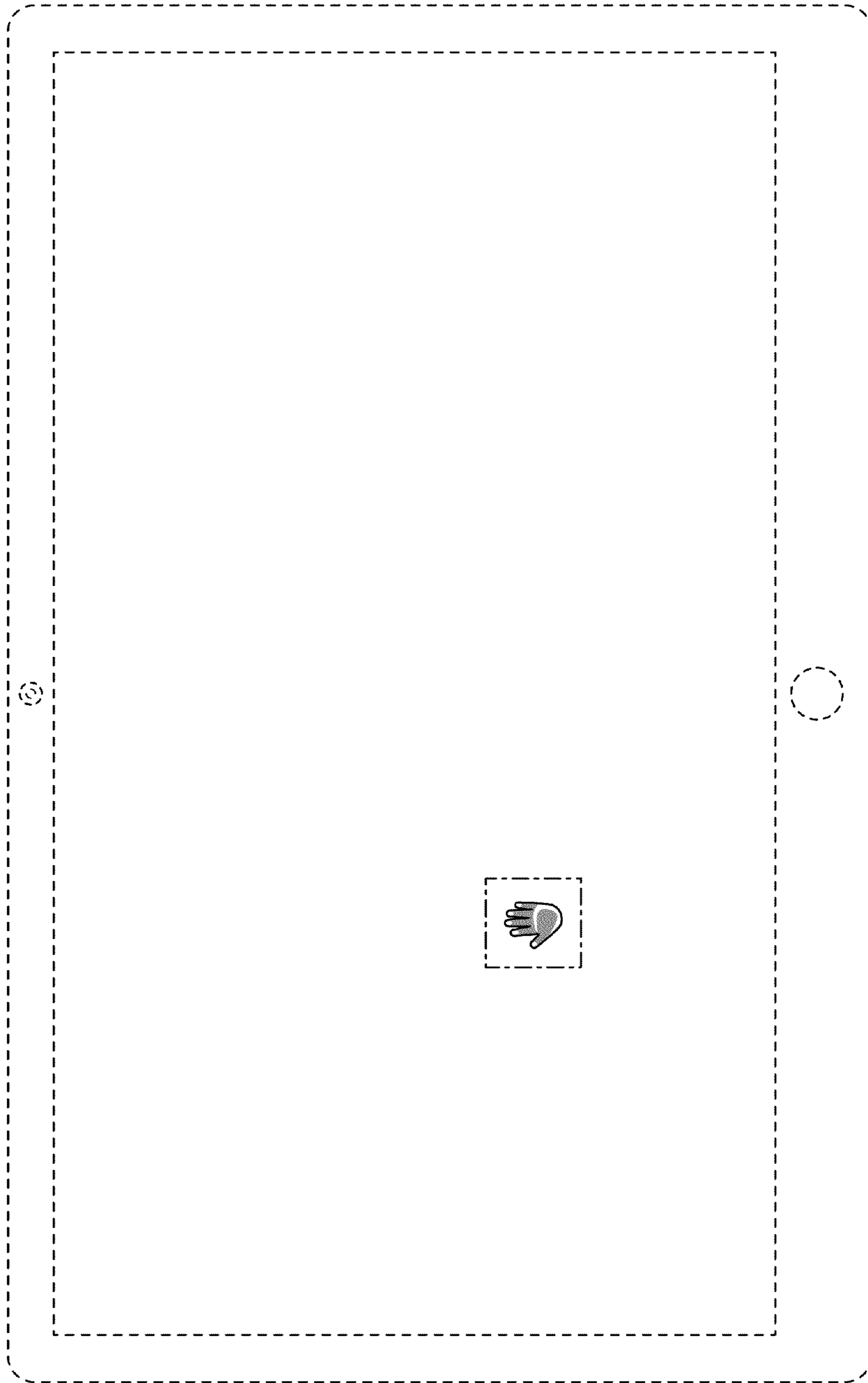


FIG. 22

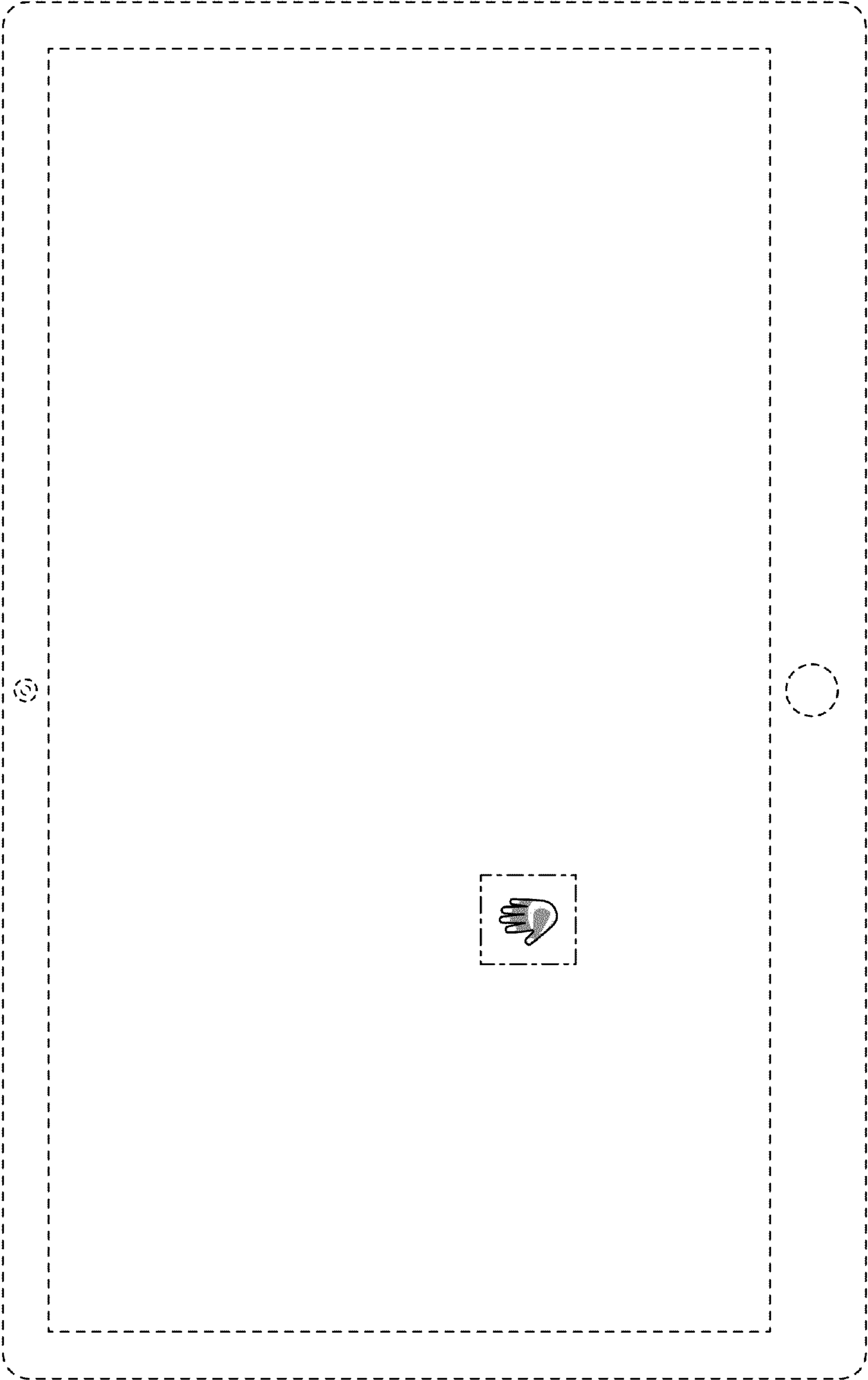


FIG. 23

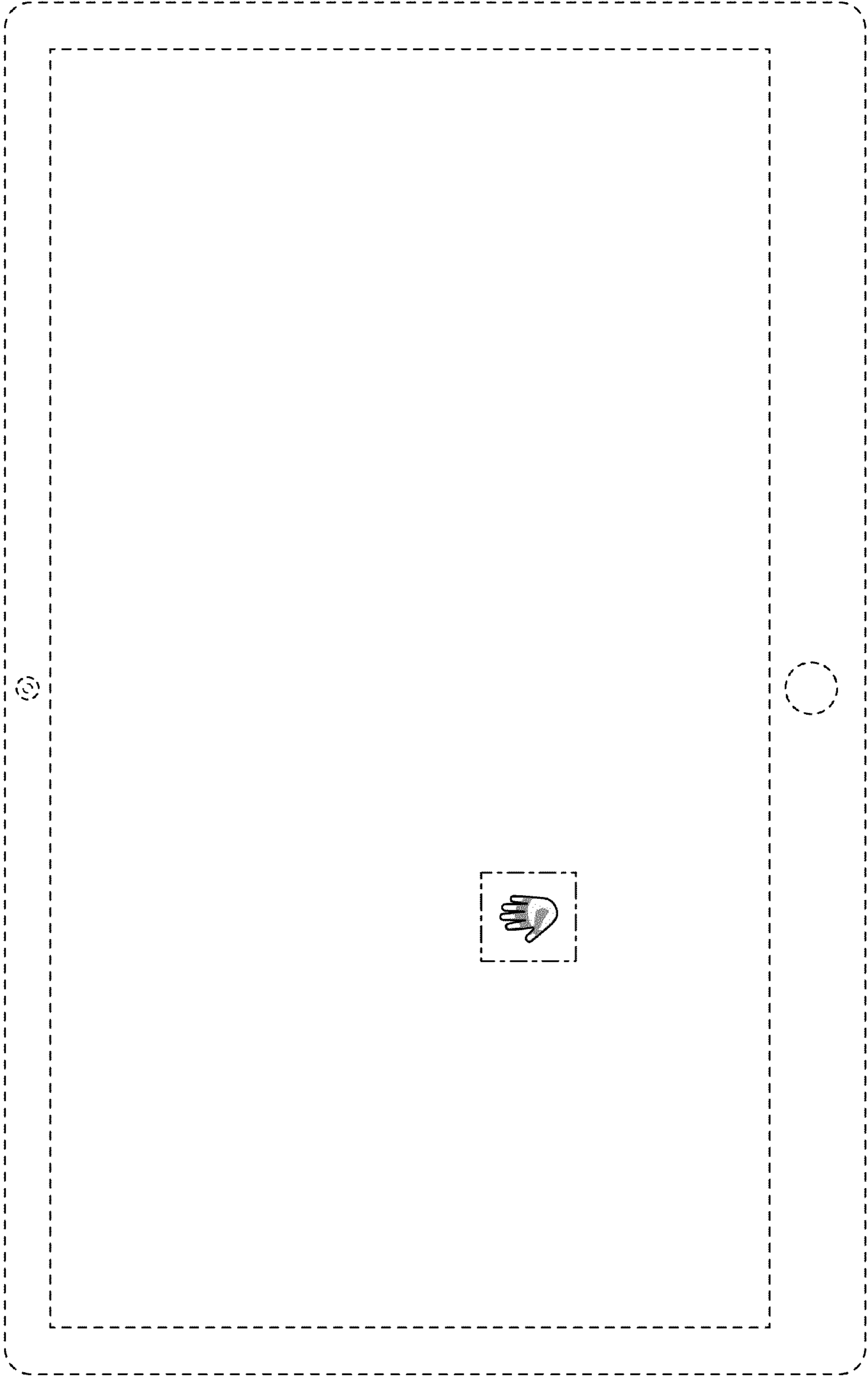


FIG. 24

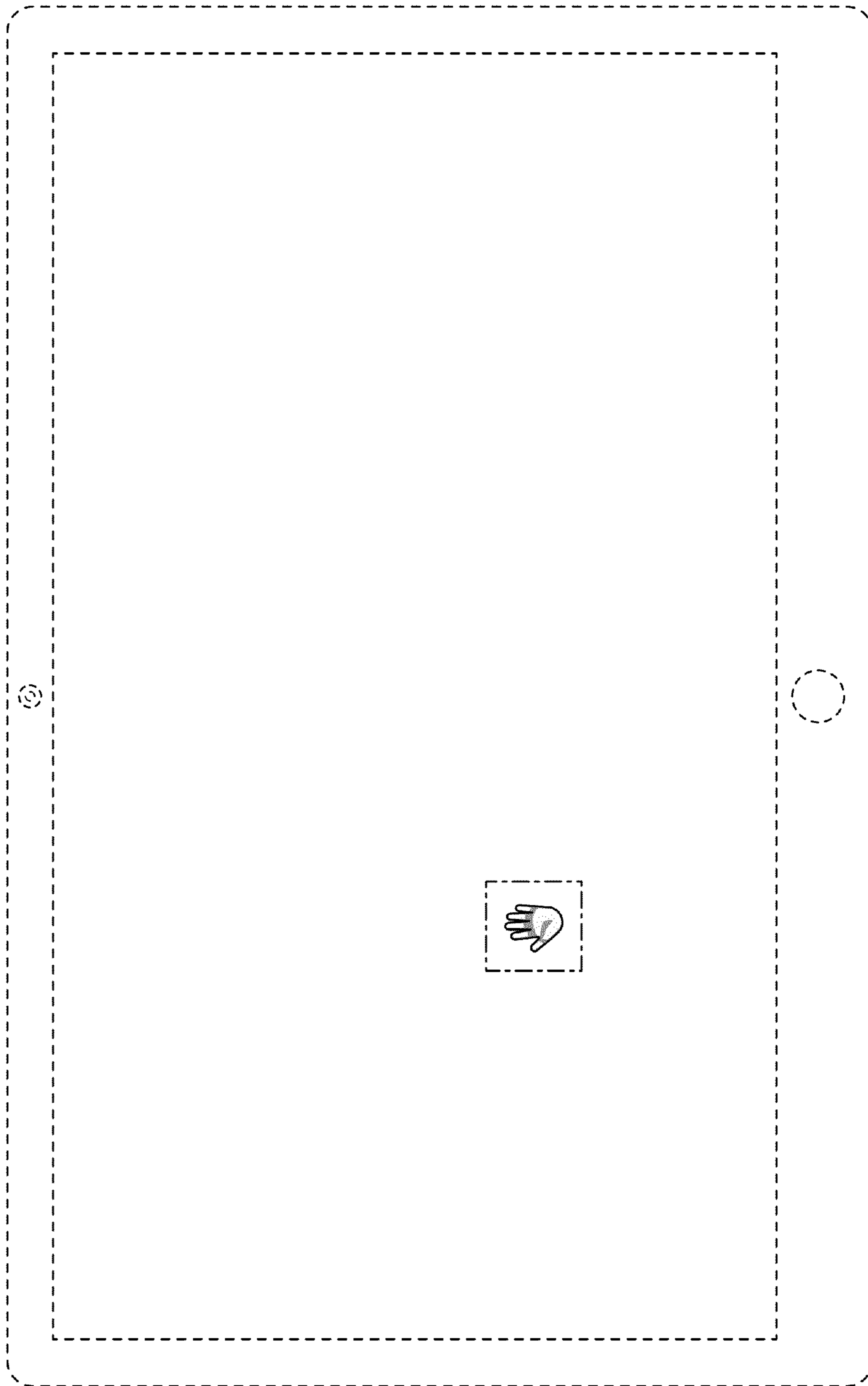


FIG. 25

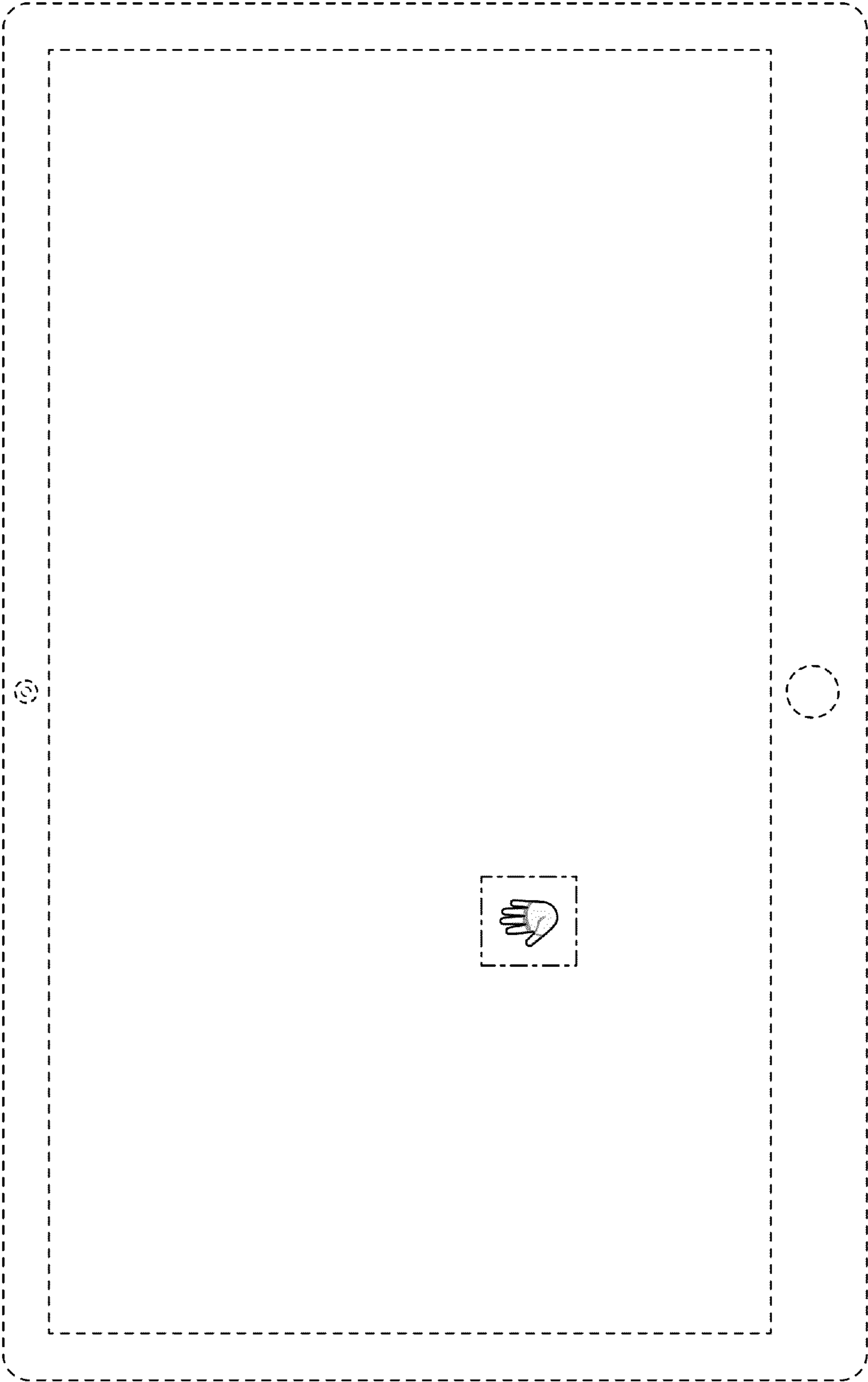


FIG. 26

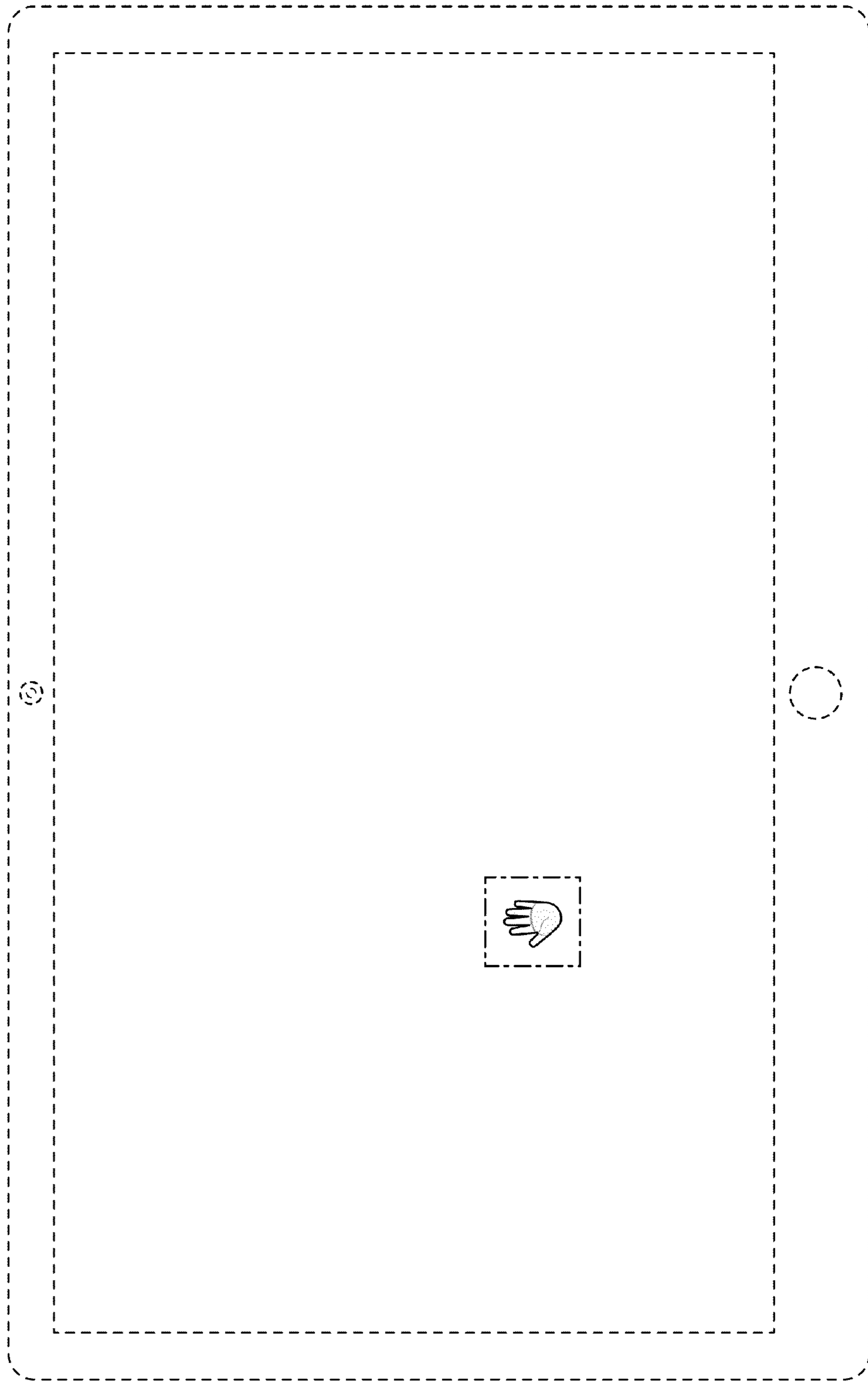


FIG. 27

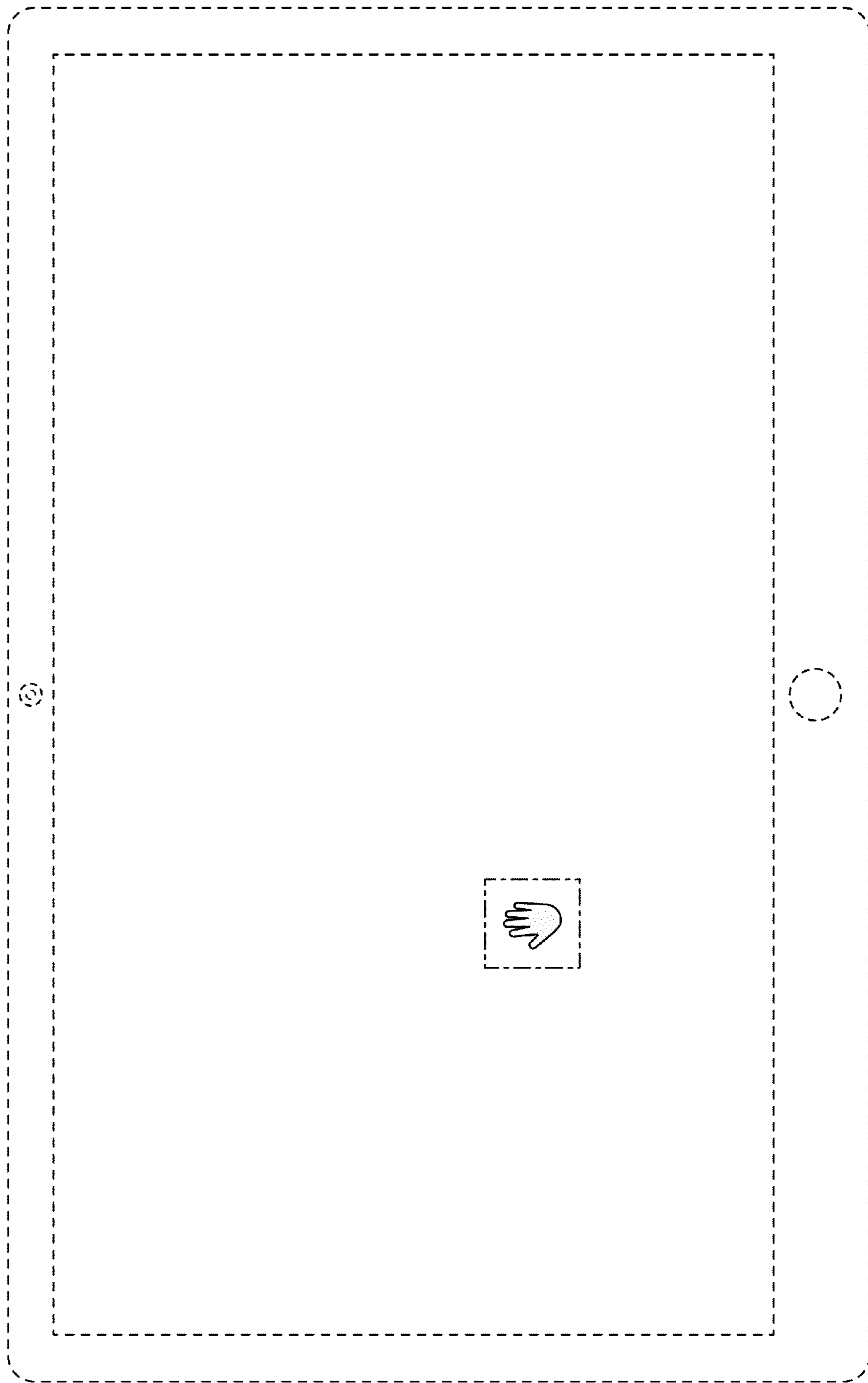


FIG. 28

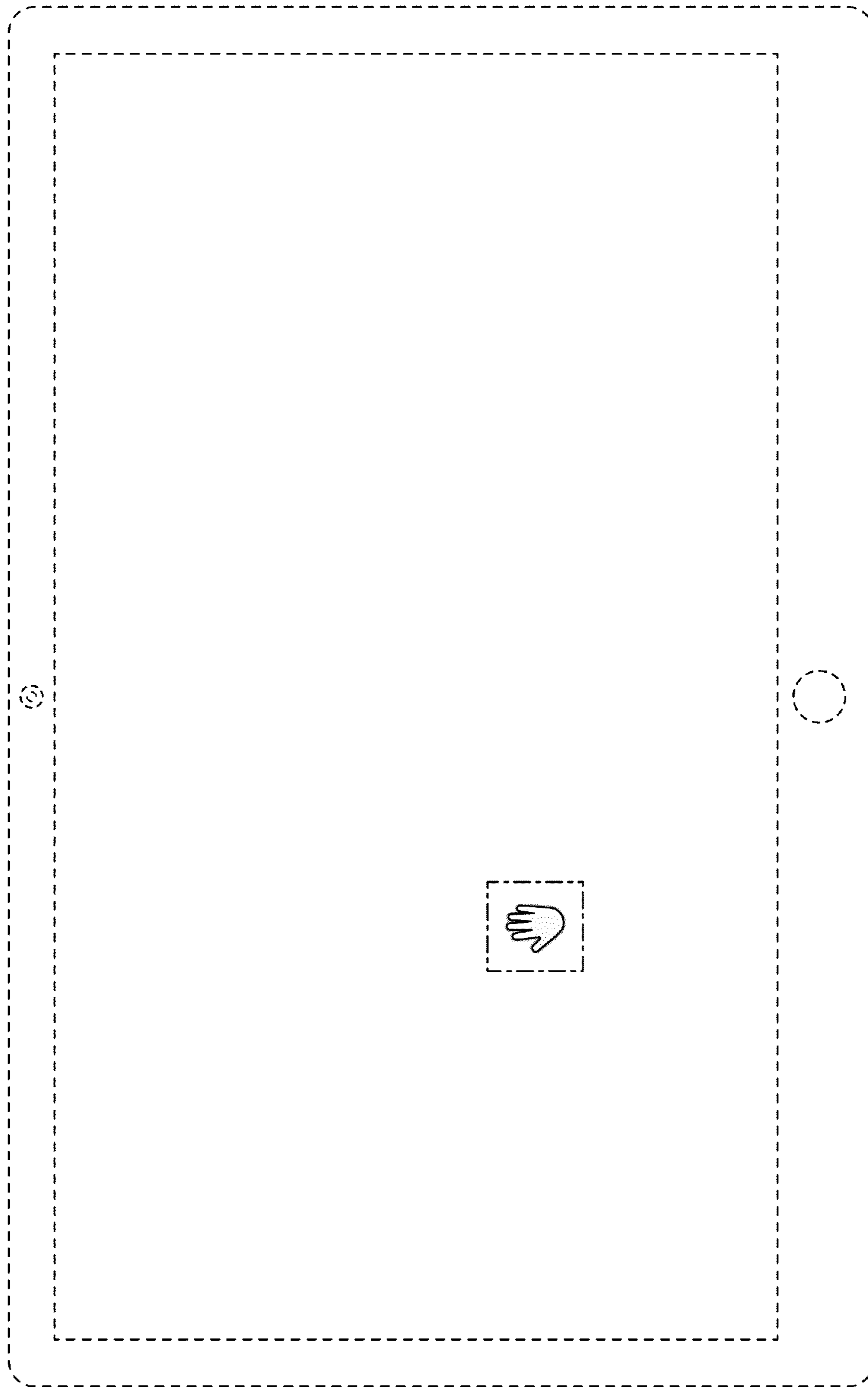


FIG. 29

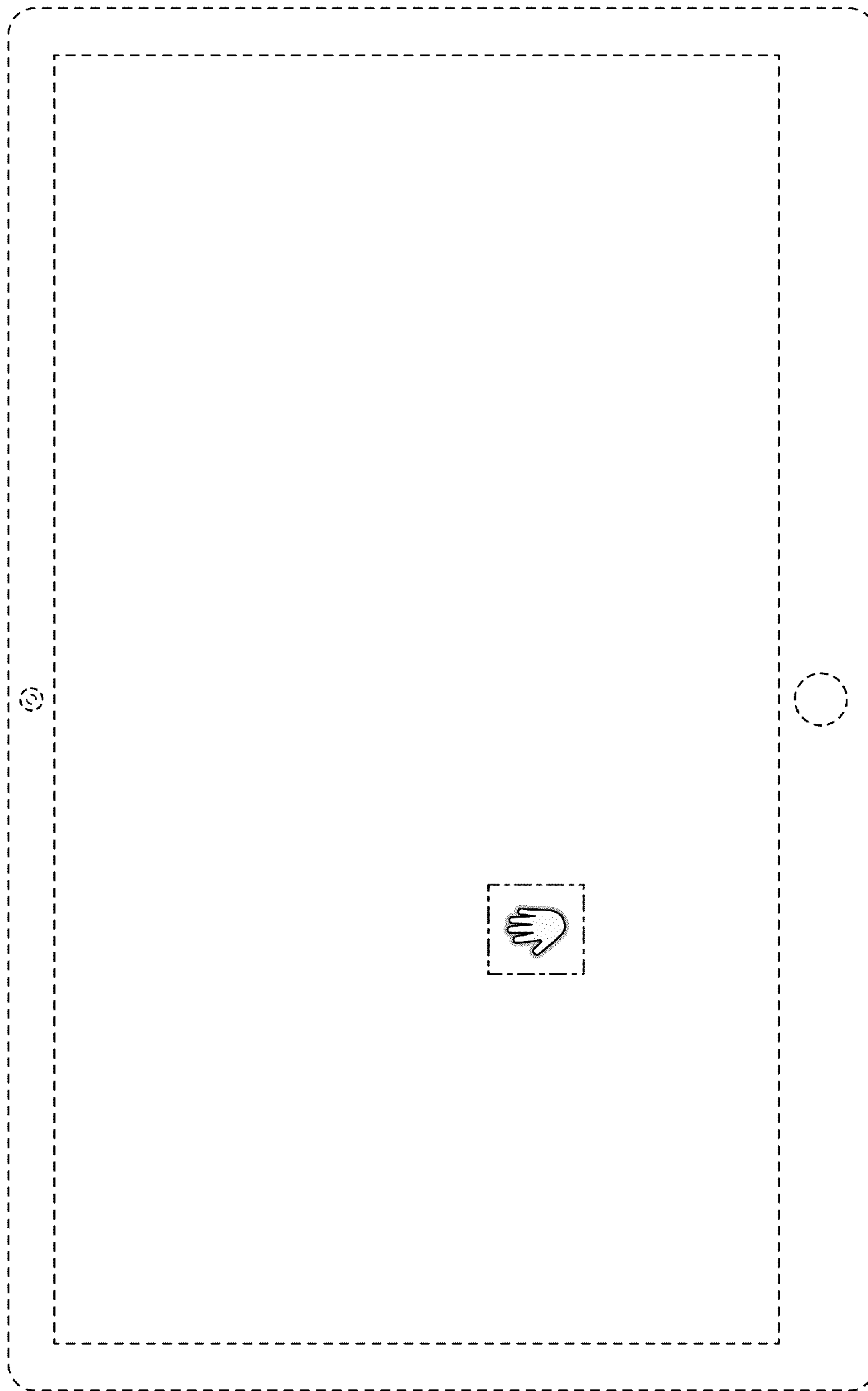


FIG. 30

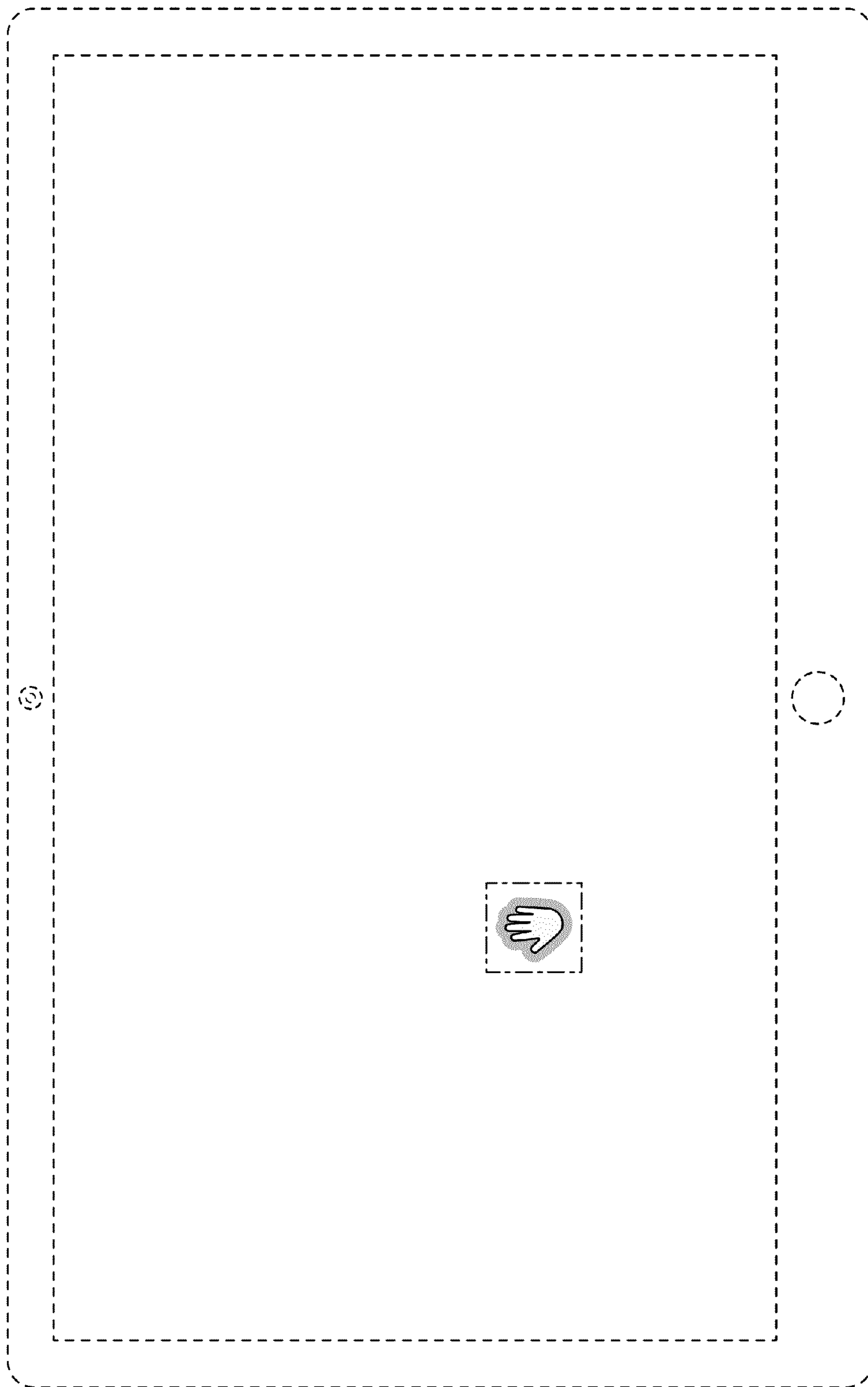


FIG. 31

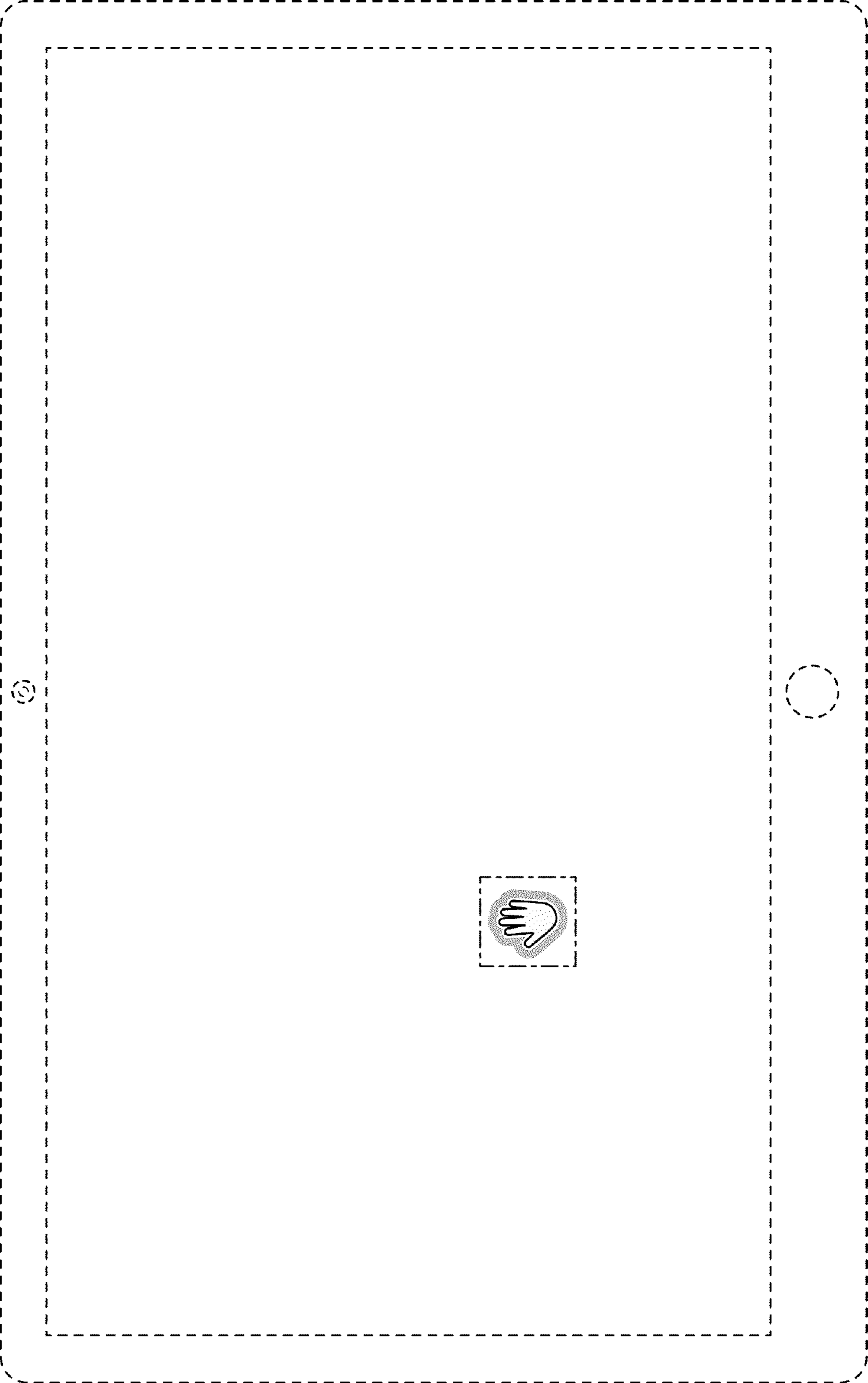


FIG. 32

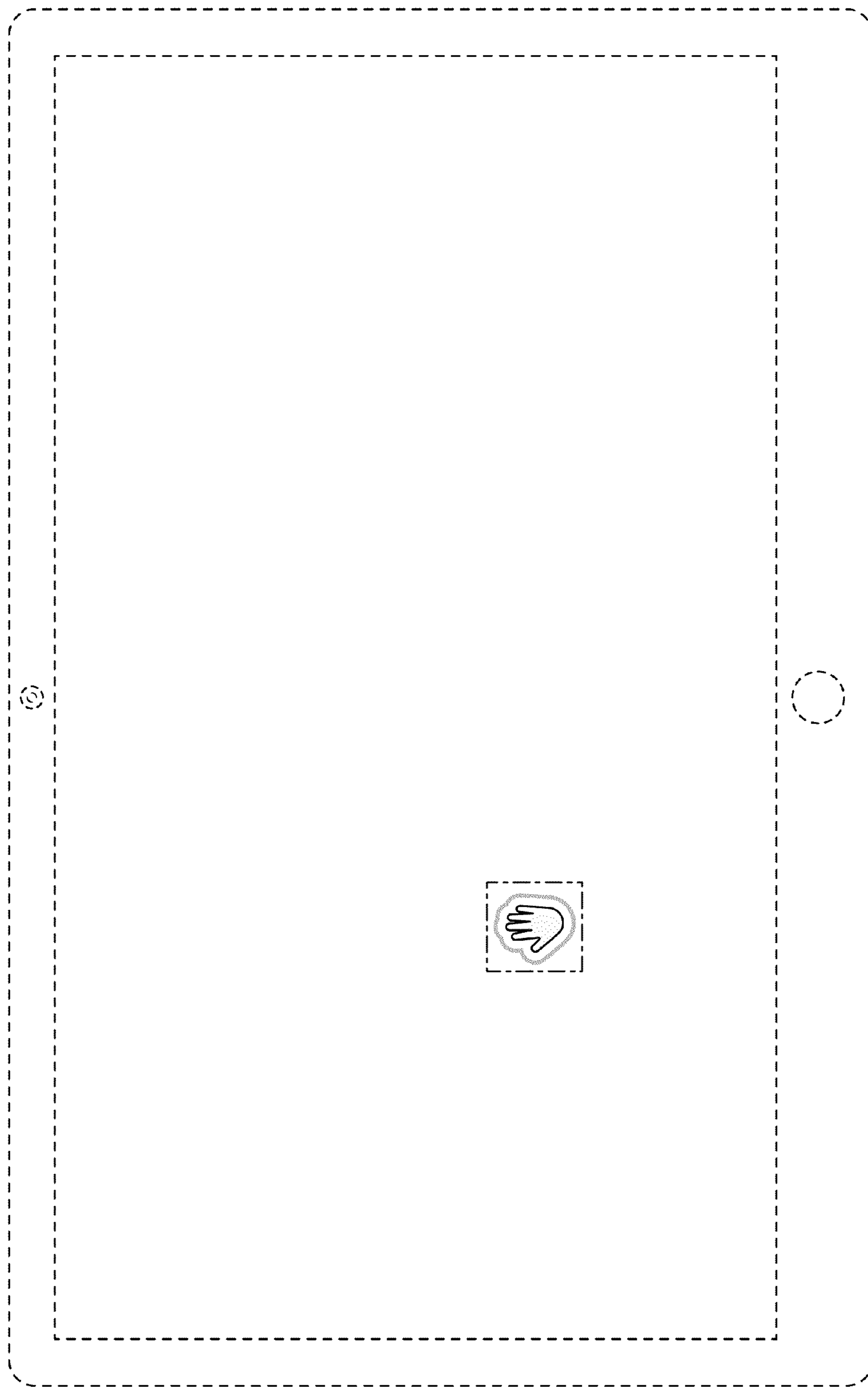


FIG. 33

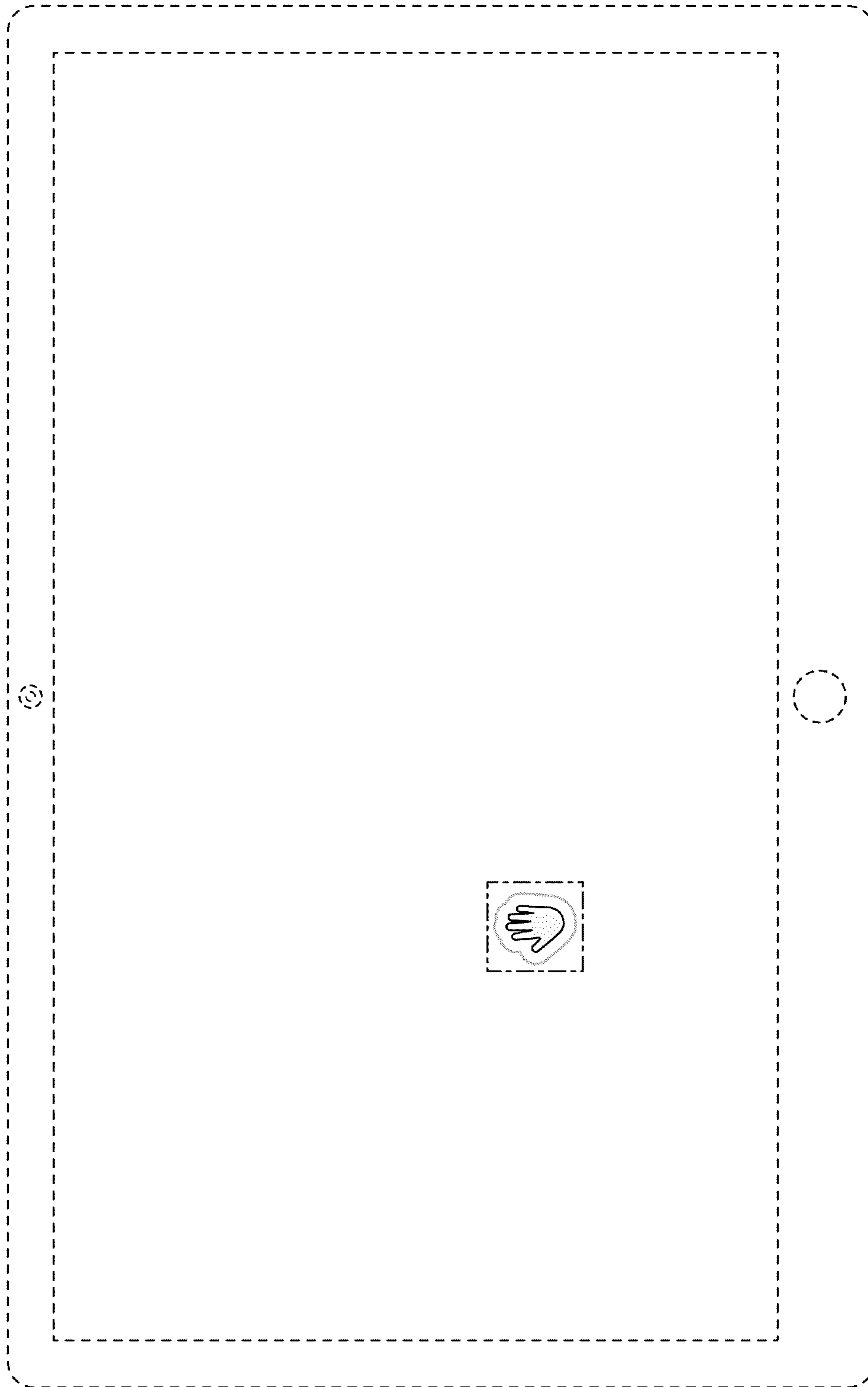


FIG. 34

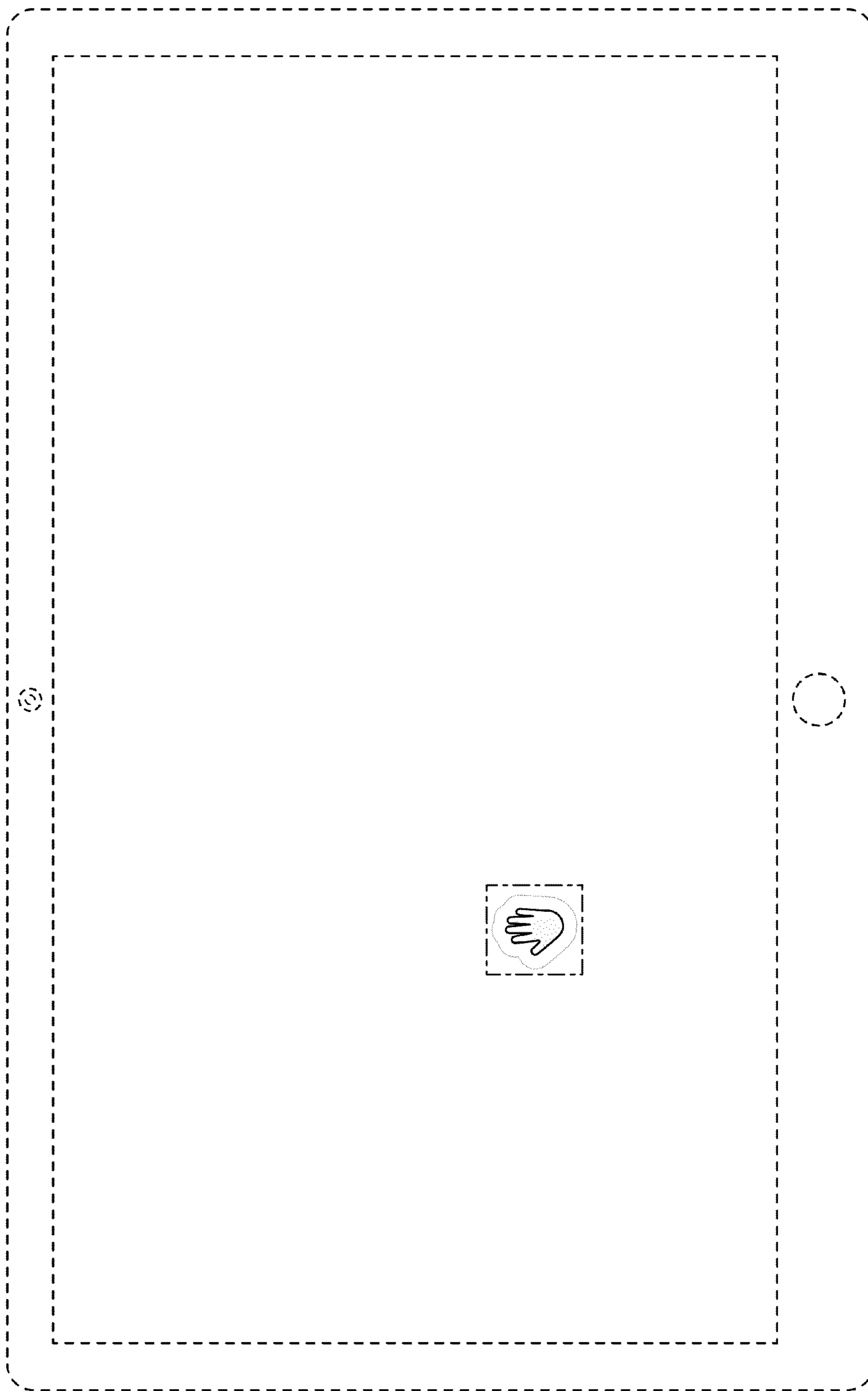


FIG. 35

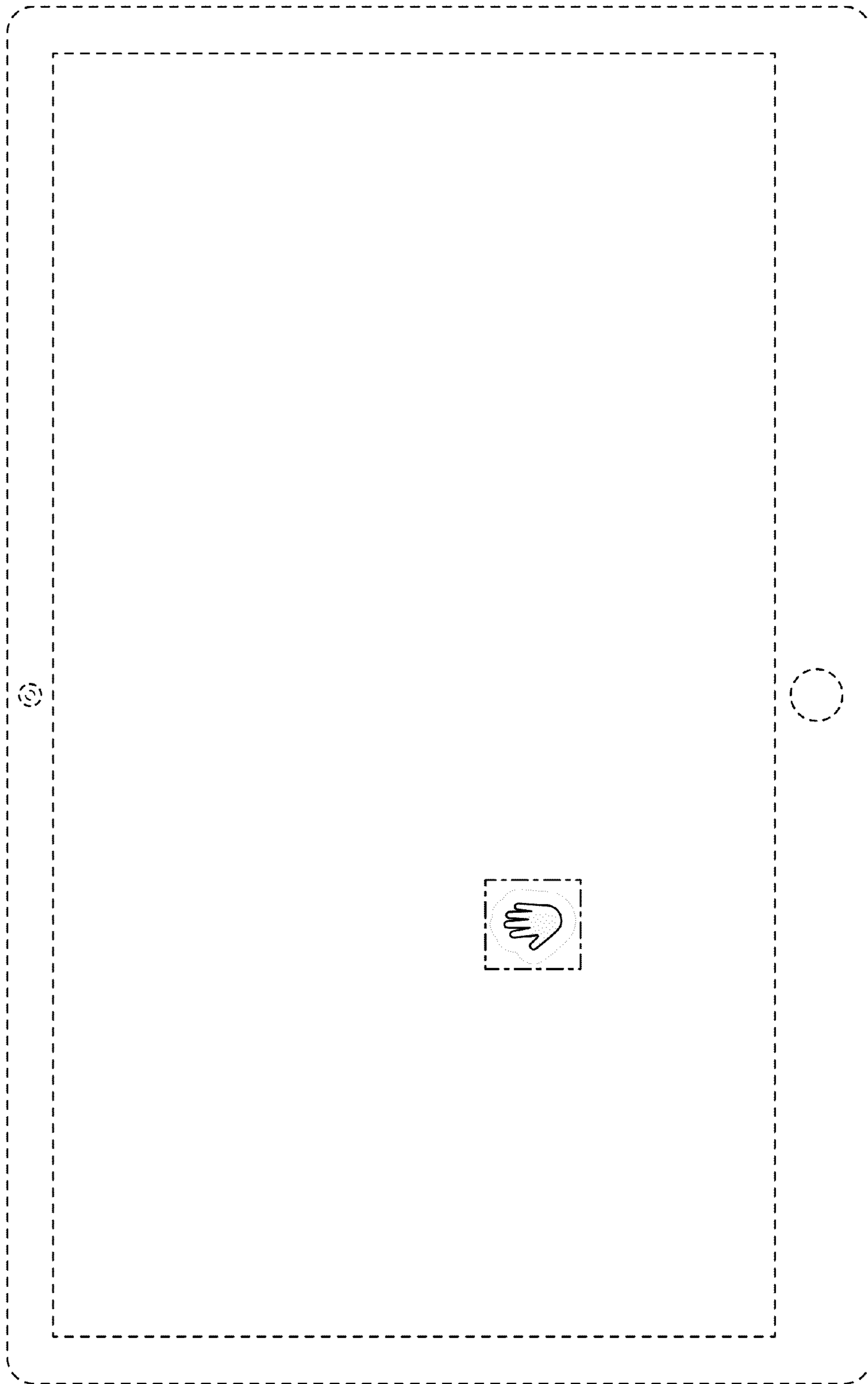


FIG. 36

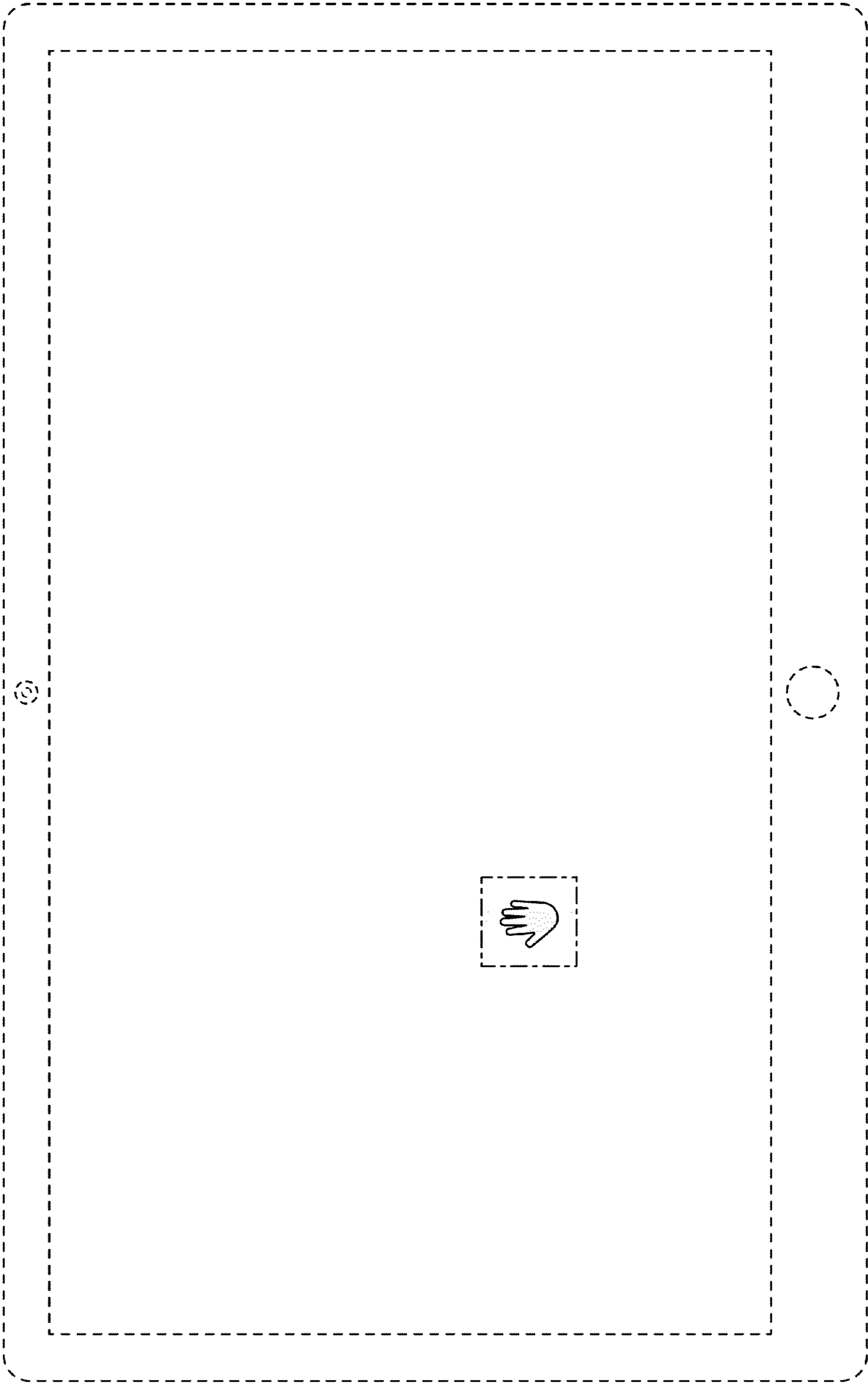


FIG. 37

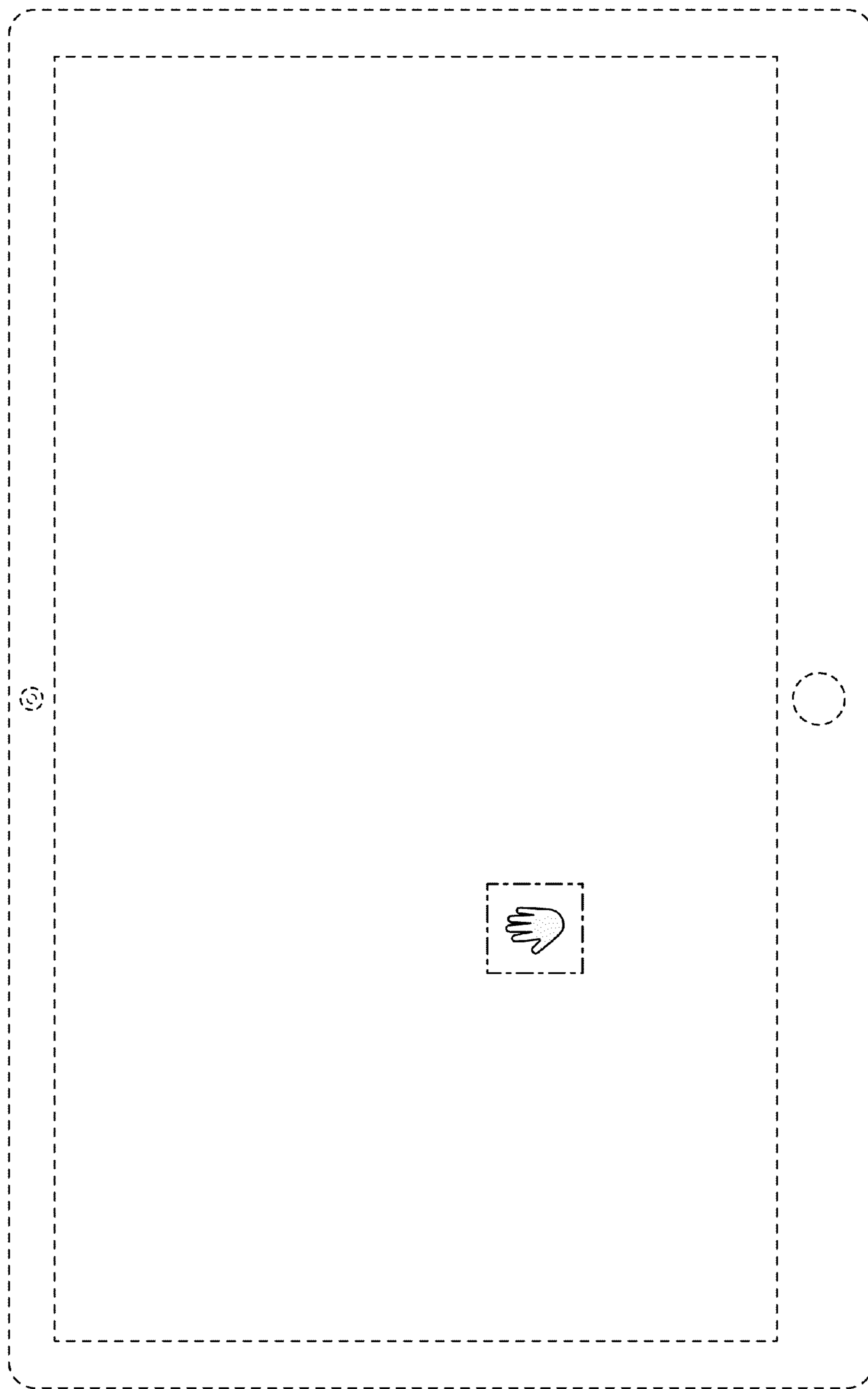


FIG. 38