



US00D737855S

(12) **United States Design Patent**
Hastings et al.

(10) **Patent No.:** **US D737,855 S**
(45) **Date of Patent:** **** Sep. 1, 2015**

- (54) **DISPLAY SCREEN WITH A TRANSITIONAL VENOUS REFILL DETECTION ICON**
- (71) Applicant: **Covidien LP**, Mansfield, MA (US)
- (72) Inventors: **Zachary Scott Hastings**, Lowell, MA (US); **Daniel Patrick O’Sullivan, Jr.**, Mont Vernon, NH (US)
- (73) Assignee: **Covidien LP**, Mansfield, MA (US)
- (**) Term: **14 Years**
- (21) Appl. No.: **29/458,147**
- (22) Filed: **Jun. 17, 2013**
- (51) **LOC (10) Cl.** **14-04**
- (52) **U.S. Cl.**
USPC **D14/495**
- (58) **Field of Classification Search**
USPC D14/485–488, 489, 492, 494, 495
CPC G06F 3/04842; G06F 3/0482; G06F 3/04817; A61H 2205/106; A61H 2201/164
See application file for complete search history.

(56) **References Cited**

U.S. PATENT DOCUMENTS

- 4,702,232 A * 10/1987 Gardner et al. 601/152
- 5,307,791 A 5/1994 Senoue et al.

(Continued)

Primary Examiner — Sheryl Lane

Assistant Examiner — Nicole Shiflet

(74) *Attorney, Agent, or Firm* — John Paul Mello, Esq.

(57) **CLAIM**

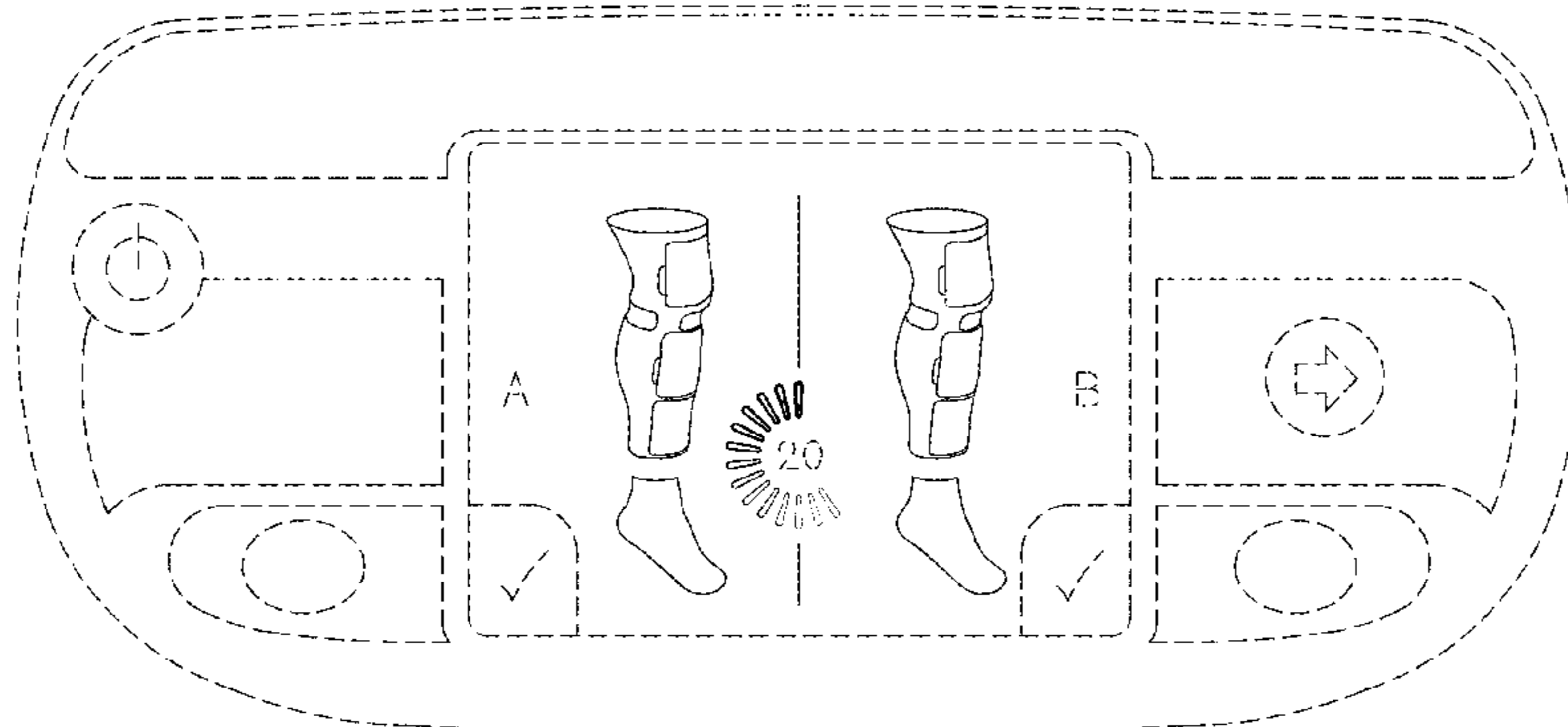
The ornamental design for a display screen with a transitional venous refill detection icon, as shown and described.

DESCRIPTION

FIG. 1 is a front view of a display screen with a transitional venous refill detection icon showing the first image in a sequence.

FIG. 2 is a front view therefore showing a second image of the sequence.
 FIG. 3 is a front view therefore showing a third image of the sequence.
 FIG. 4 is a front view therefore showing a fourth image of the sequence.
 FIG. 5 is a front view therefore showing a fifth image of the sequence.
 FIG. 6 is a front view therefore showing a sixth image of the sequence.
 FIG. 7 is a front view therefore showing a seventh image of the sequence.
 FIG. 8 is a front view therefore showing an eighth image of the sequence.
 FIG. 9 is a front view therefore showing a ninth image of the sequence.
 FIG. 10 is a front view therefore showing a tenth image of the sequence.
 FIG. 11 is a front view therefore showing an eleventh image of the sequence.
 FIG. 12 is a front view therefore showing a twelfth image of the sequence.
 FIG. 13 is a front view therefore showing a thirteenth image of the sequence.
 FIG. 14 is a front view therefore showing a fourteenth image of the sequence.
 FIG. 15 is a front view therefore showing a fifteenth image of the sequence.
 FIG. 16 is a front view therefore showing a sixteenth image of the sequence.
 FIG. 17 is a front view therefore showing a seventeenth image of the sequence.
 FIG. 18 is a front view therefore showing an eighteenth image of the sequence.
 FIG. 19 is a front view therefore showing a nineteenth image of the sequence.
 FIG. 20 is a front view therefore showing a twentieth image of the sequence.
 FIG. 21 is a front view therefore showing a twenty first image of the sequence; and,
 FIG. 22 is a front view therefore showing a twenty second image of the sequence.
 The broken lines showing the display screen are included for the purpose of illustrating environmental structure and form no part of the claimed design.

1 Claim, 22 Drawing Sheets



(56)

References Cited

U.S. PATENT DOCUMENTS

5,368,549 A	11/1994	McVicker	6,605,103 B2	8/2003	Hovanes et al.
5,387,185 A	2/1995	Johnson, Jr. et al.	6,755,798 B2	6/2004	McCarthy et al.
5,389,065 A	2/1995	Johnson, Jr.	6,789,284 B2	9/2004	Kemp
5,413,142 A	5/1995	Johnson et al.	6,877,178 B2	4/2005	Chapman et al.
5,435,009 A	7/1995	Schild et al.	7,001,384 B2	2/2006	Berish et al.
5,441,533 A	8/1995	Johnson et al.	7,063,676 B2	6/2006	Barak et al.
5,459,700 A	10/1995	Jacobs	7,076,993 B2	7/2006	Cook
5,466,250 A	11/1995	Johnson, Jr. et al.	7,107,640 B2	9/2006	Chapman et al.
5,492,133 A	2/1996	McVicker	D533,875 S	12/2006	Miles et al.
5,496,262 A	3/1996	Johnson, Jr. et al.	7,354,410 B2	4/2008	Perry et al.
5,577,998 A	11/1996	Johnson, Jr. et al.	7,591,796 B1	9/2009	Barak et al.
5,588,955 A	12/1996	Johnson, Jr. et al.	7,618,384 B2	11/2009	Nardi et al.
5,656,226 A	8/1997	McVicker	7,658,720 B2	2/2010	Johnson, III
D384,341 S *	9/1997	Hoffman et al. D14/486	D626,562 S	11/2010	Batchelder et al.
5,676,639 A	10/1997	Schild	7,846,114 B2	12/2010	Webster et al.
5,800,458 A	9/1998	Wingrove	D637,617 S	5/2011	Batchelder et al.
D399,501 S	10/1998	Arora et al.	D637,618 S	5/2011	Batchelder et al.
6,001,119 A	12/1999	Hampson et al.	8,083,763 B2	12/2011	McEwen et al.
D418,498 S	1/2000	Leonard	D660,316 S *	5/2012	Marchetti D14/495
6,027,468 A	2/2000	Pick	D660,318 S *	5/2012	Marchetti D14/495
6,051,016 A	4/2000	Mesaros et al.	D660,873 S *	5/2012	Davydov et al. D14/495
6,080,120 A *	6/2000	Sandman et al. 601/152	D661,319 S *	6/2012	Marchetti D14/495
RE37,338 E	8/2001	McVicker	D663,318 S *	7/2012	Marchetti D14/495
6,322,530 B1	11/2001	Johnson, Jr. et al.	8,235,922 B2	8/2012	Rowe et al.
6,368,357 B1	4/2002	Schon et al.	8,394,043 B2 *	3/2013	Deshpande et al. 601/150
6,385,804 B1	5/2002	Barber et al.	8,460,224 B2 *	6/2013	Wilford et al. 601/151
6,387,065 B1	5/2002	Tumey	D692,459 S *	10/2013	Fripp et al. D14/492
D462,362 S	9/2002	Sturm	2003/0216651 A1	11/2003	Burns et al.
D462,696 S	9/2002	Sturm	2005/0159690 A1	7/2005	Barak et al.
D462,698 S	9/2002	Sturm	2011/0190675 A1	8/2011	Vess
6,447,467 B1	9/2002	Barak	2011/0282221 A1	11/2011	Sawanoi et al.
D464,060 S	10/2002	Sturm	2012/0083712 A1	4/2012	Watson et al.
6,463,934 B1	10/2002	Johnson, Jr. et al.	2012/0143069 A1	6/2012	Takeoka et al.
6,478,757 B1	11/2002	Barak	2012/0203379 A1 *	8/2012	Sloo et al. 700/276
6,494,852 B1	12/2002	Barak et al.	2012/0209153 A1	8/2012	Farrow et al.
6,514,200 B1	2/2003	Khoury	2013/0184622 A1 *	7/2013	Farrow 601/149
6,592,534 B1	7/2003	Rutt et al.	2013/0333368 A1 *	12/2013	Durfee et al. 60/370
			2014/0259260 A1 *	9/2014	Behrend et al. 2/22

* cited by examiner

FIG. 1

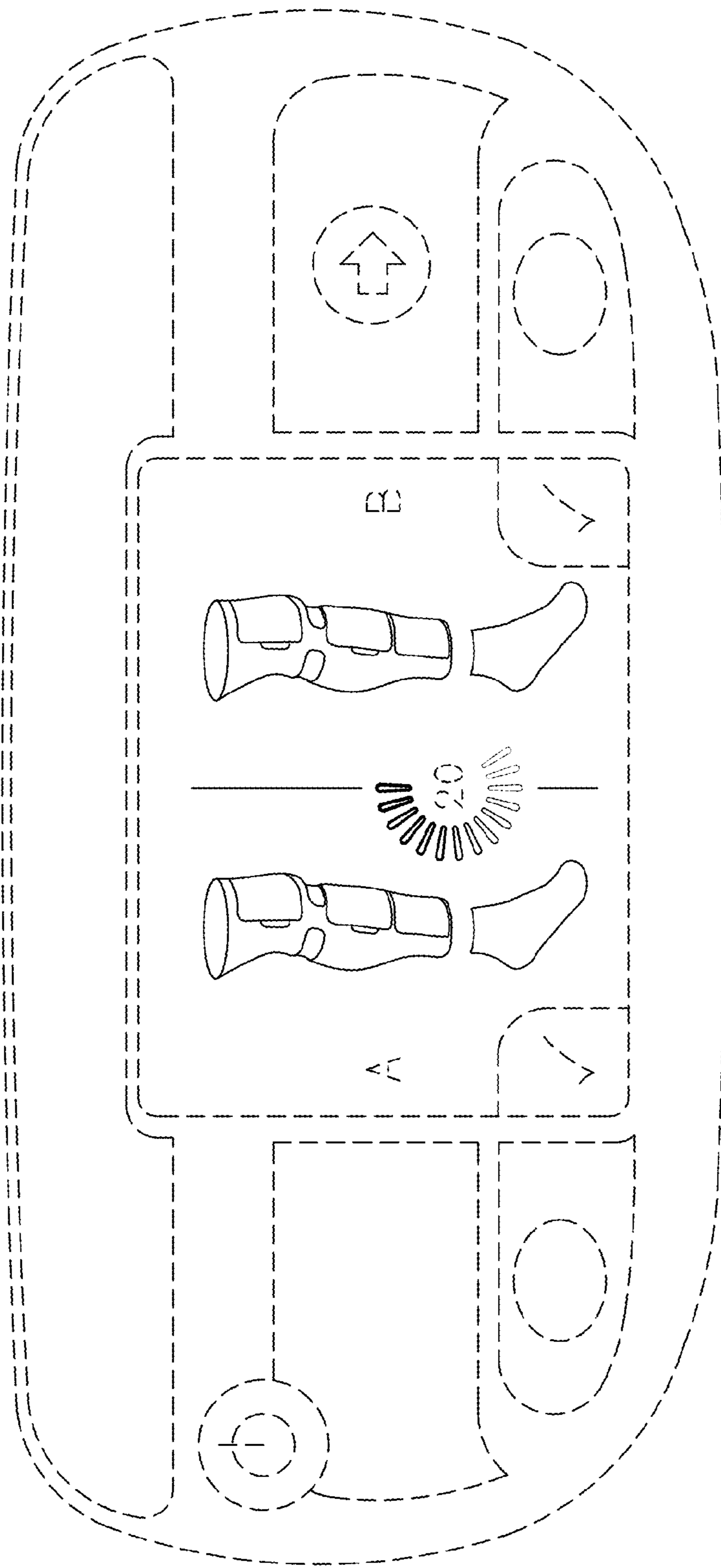


FIG. 2

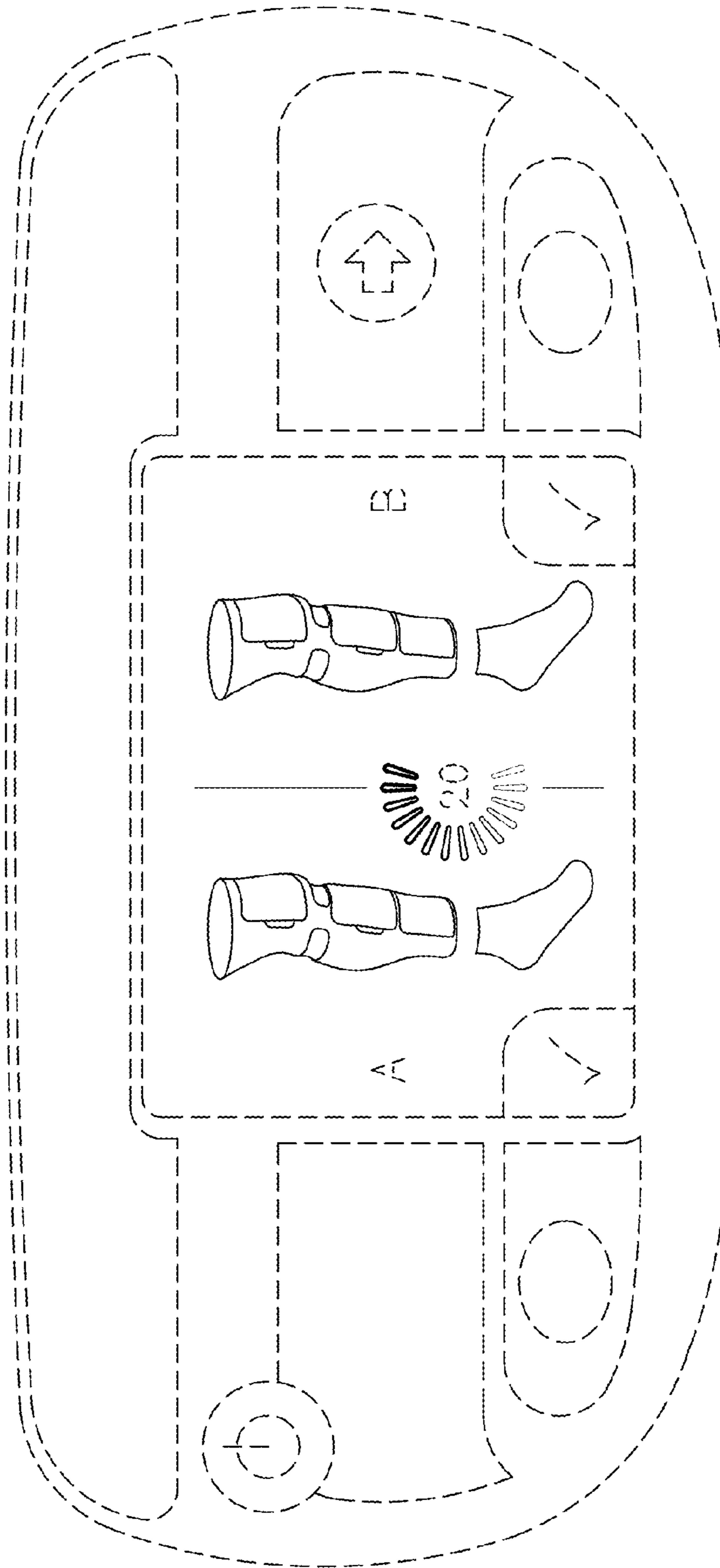


FIG. 3

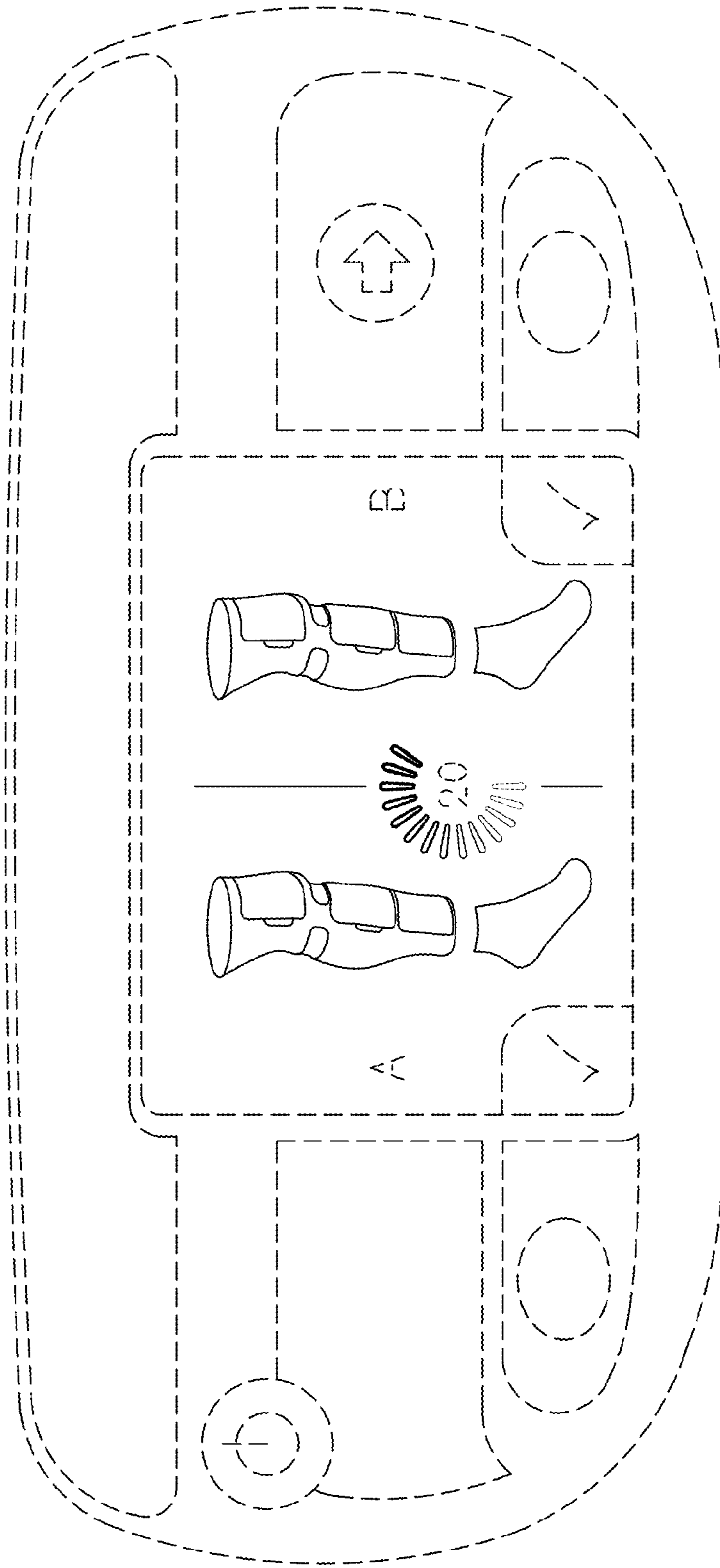


FIG. 4

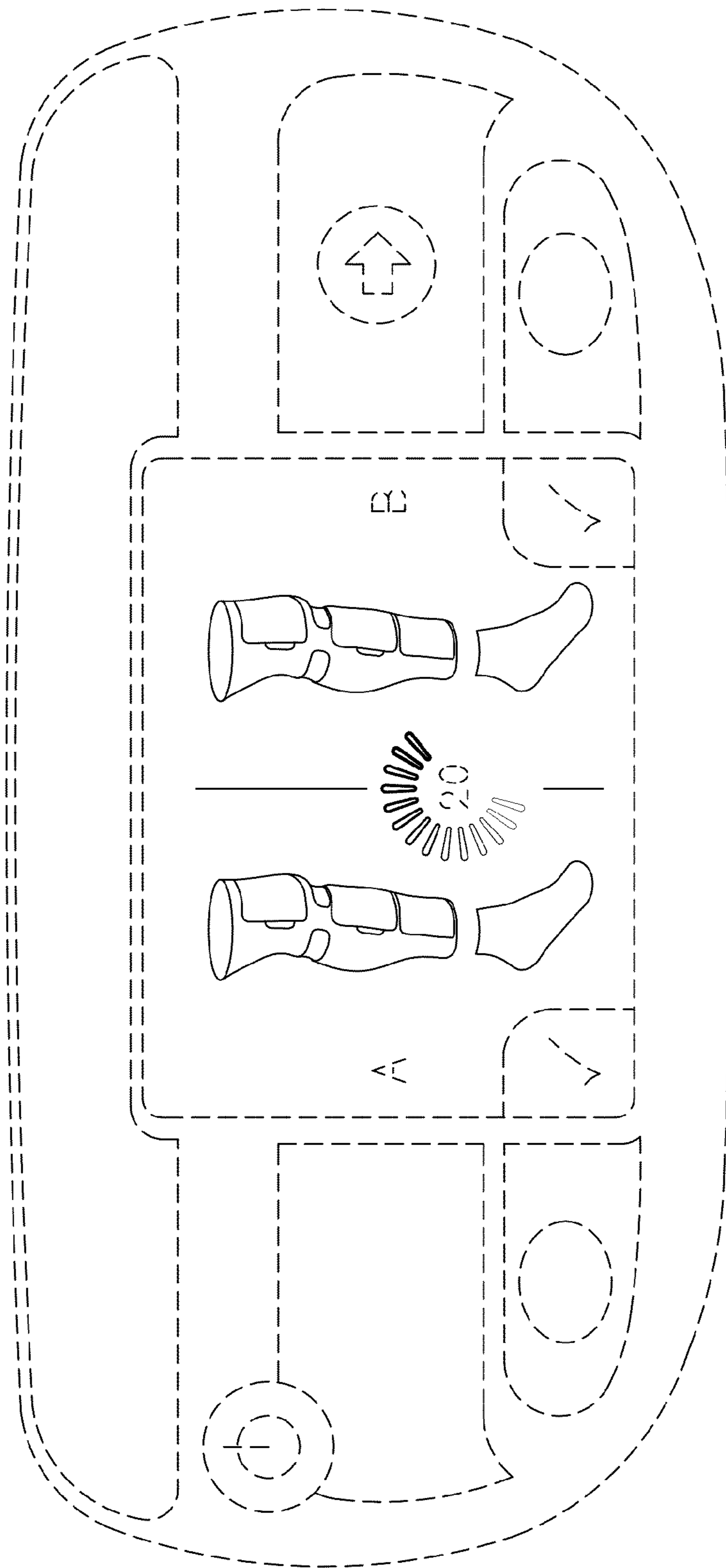


FIG. 5

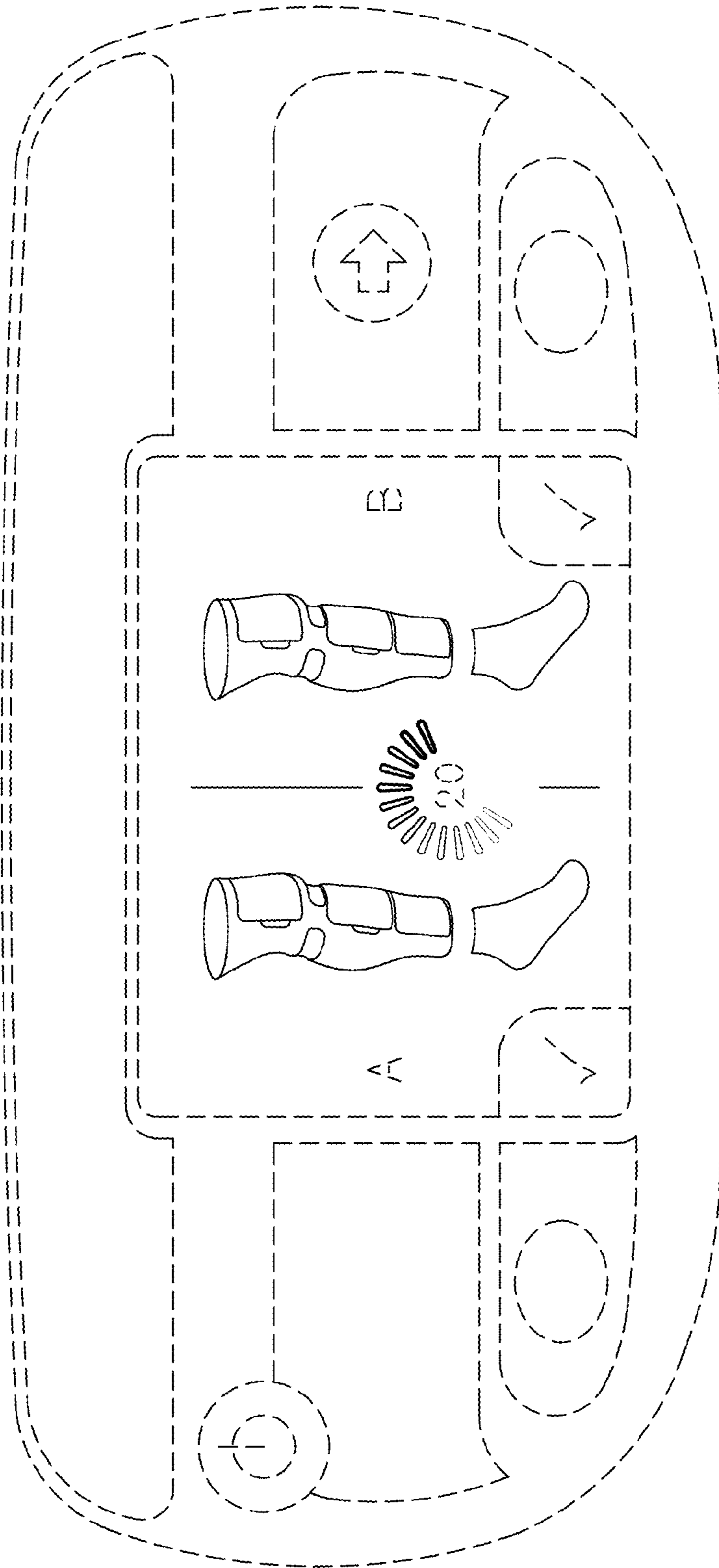


FIG. 6

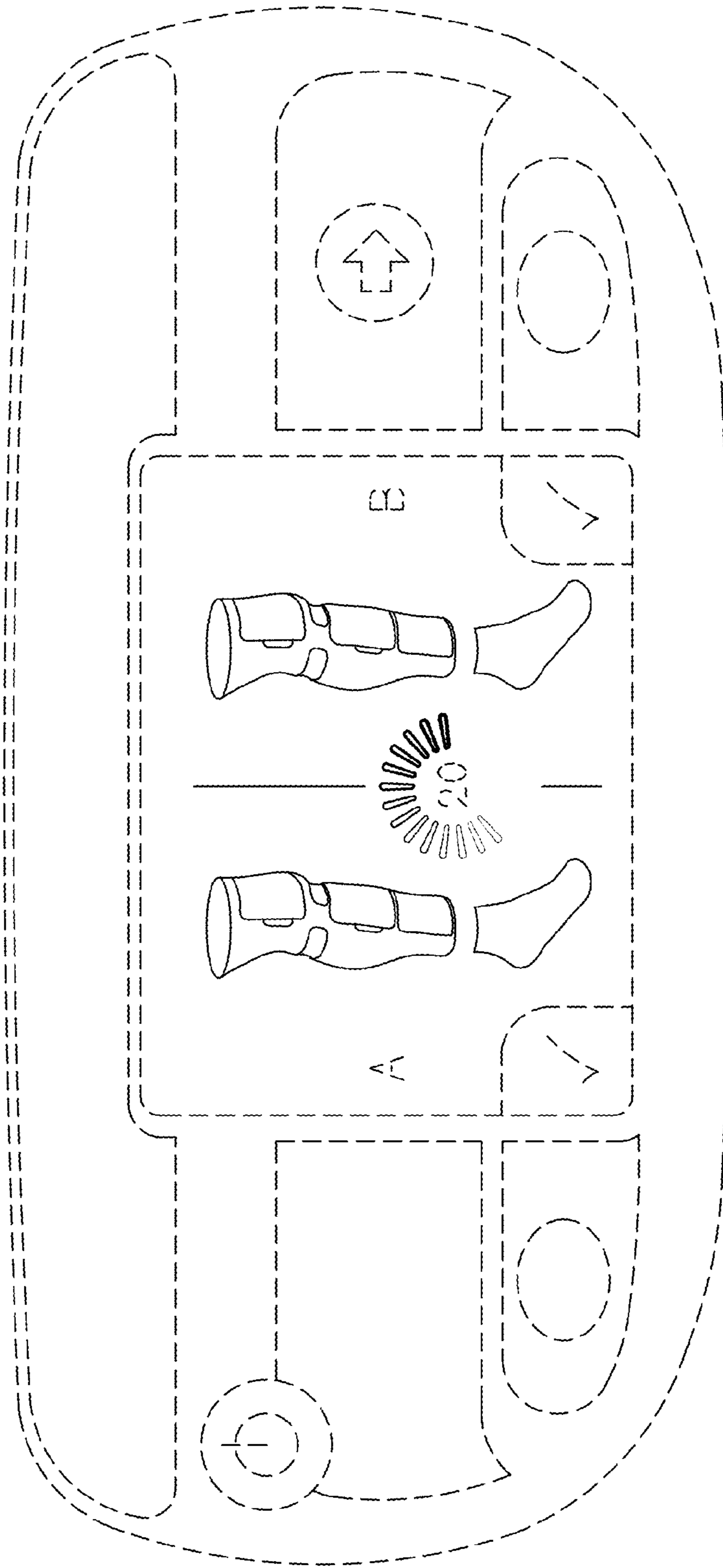


FIG. 7

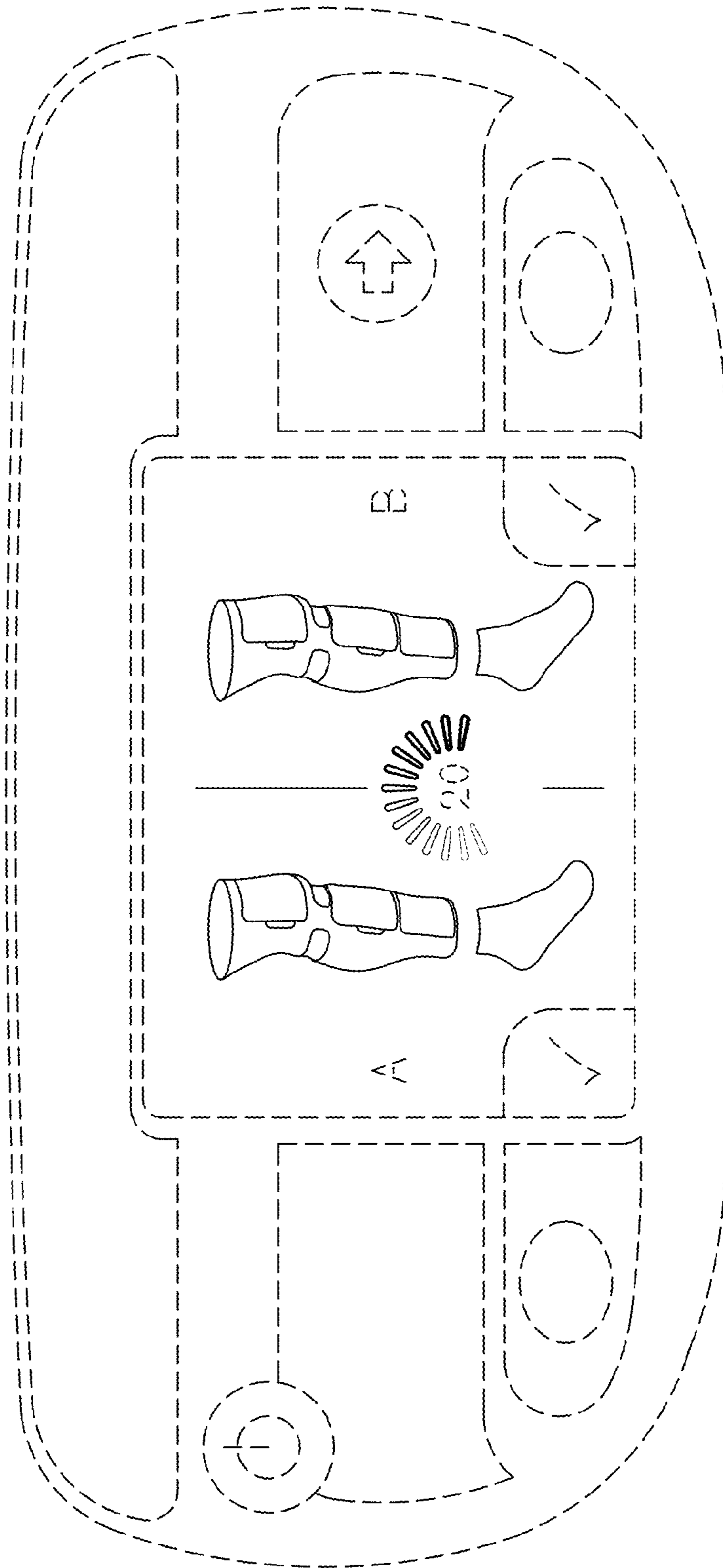


FIG. 8

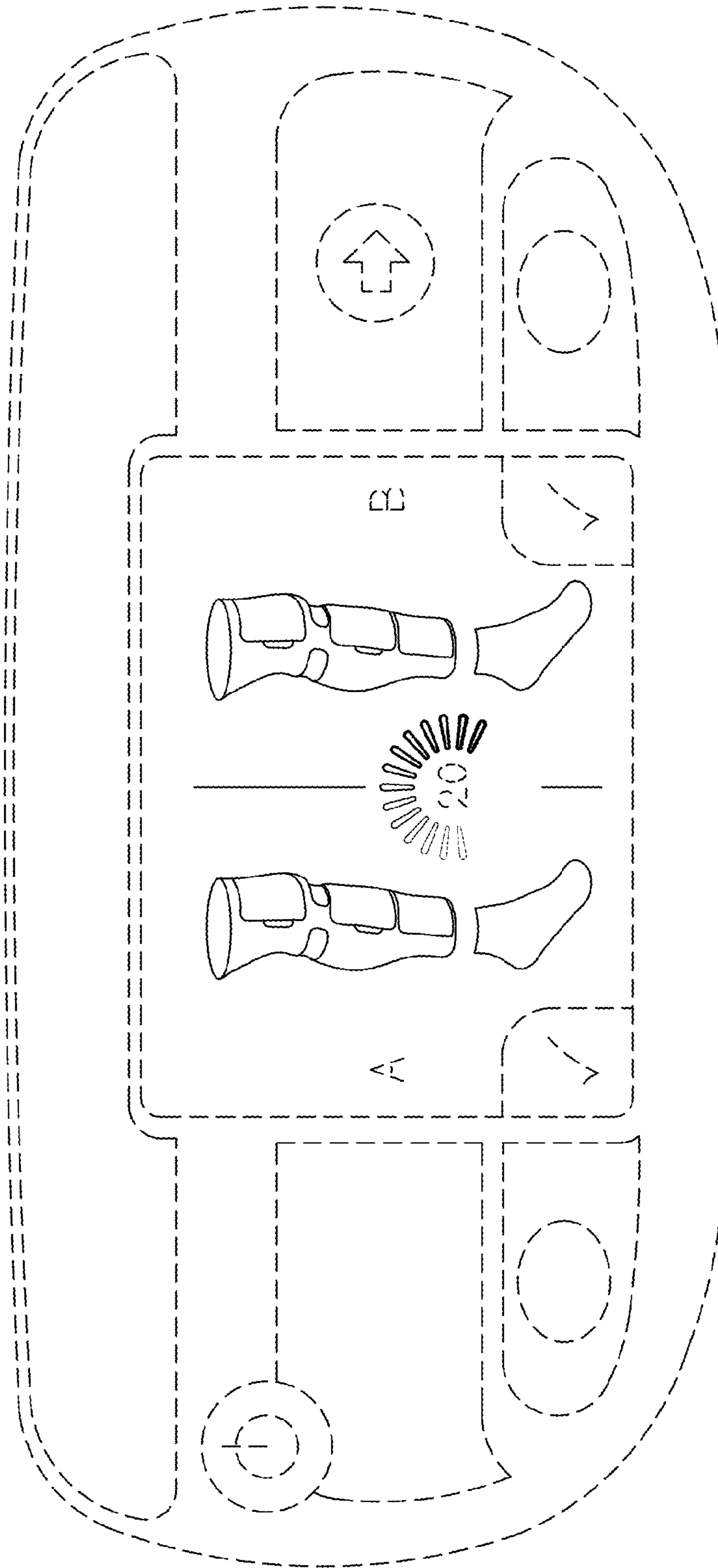


FIG. 9

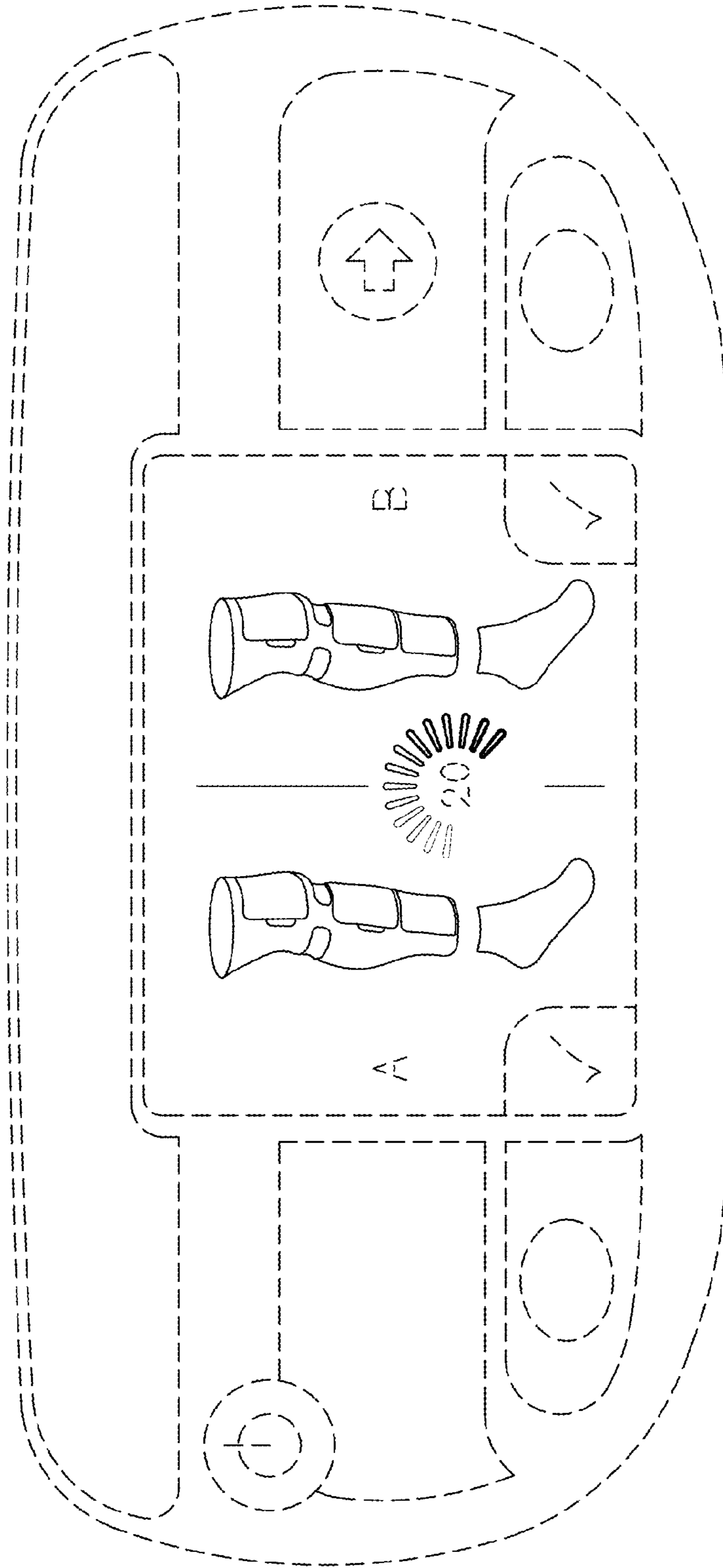


FIG. 10

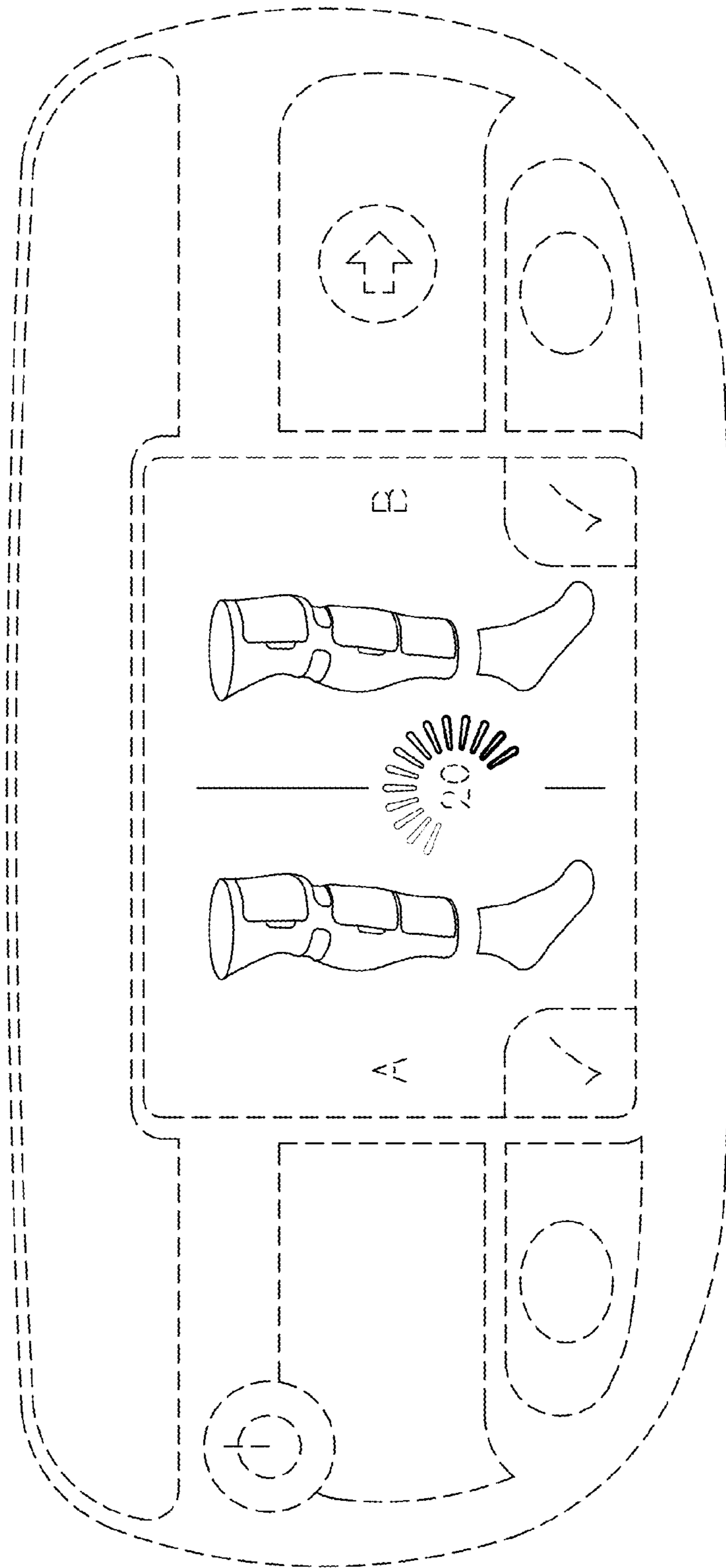


FIG. 11

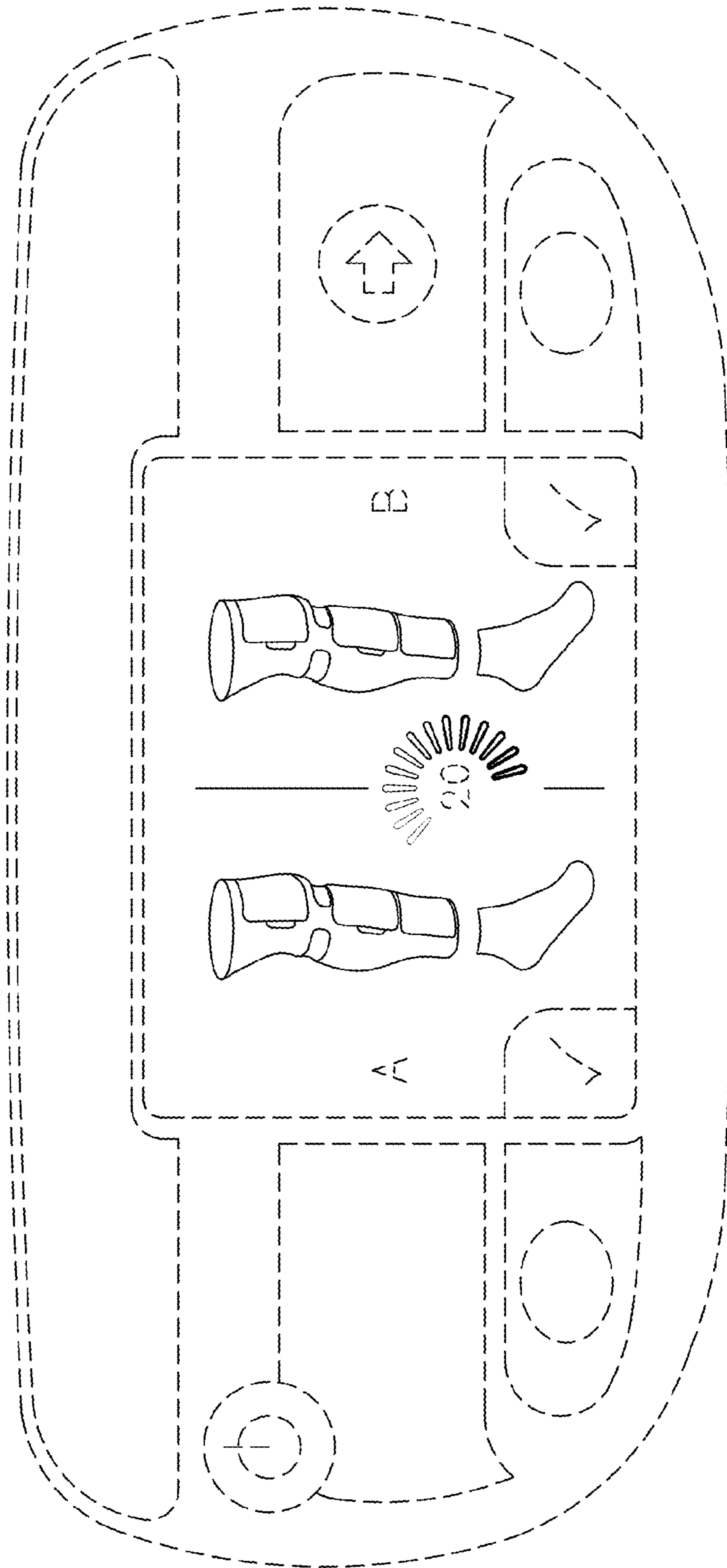


FIG. 12

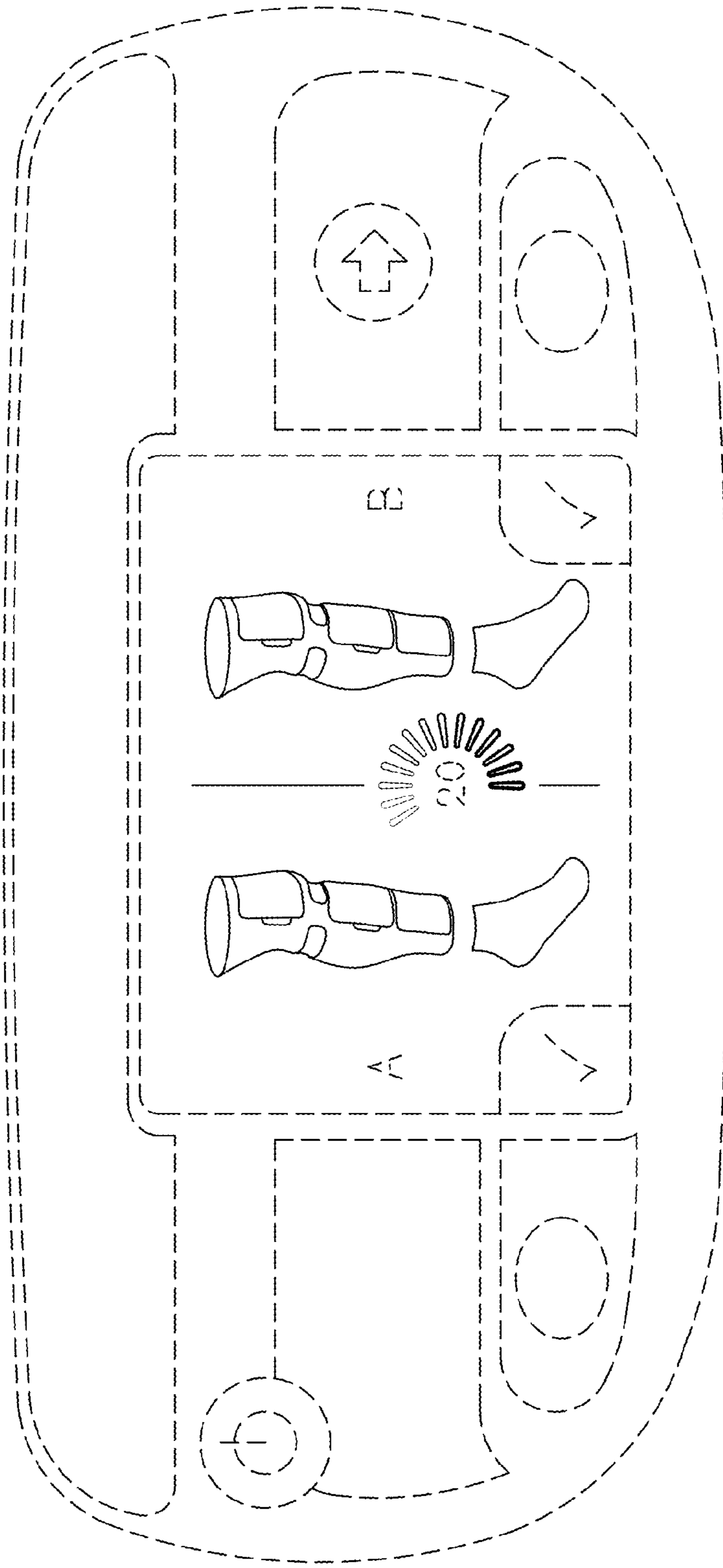


FIG. 13

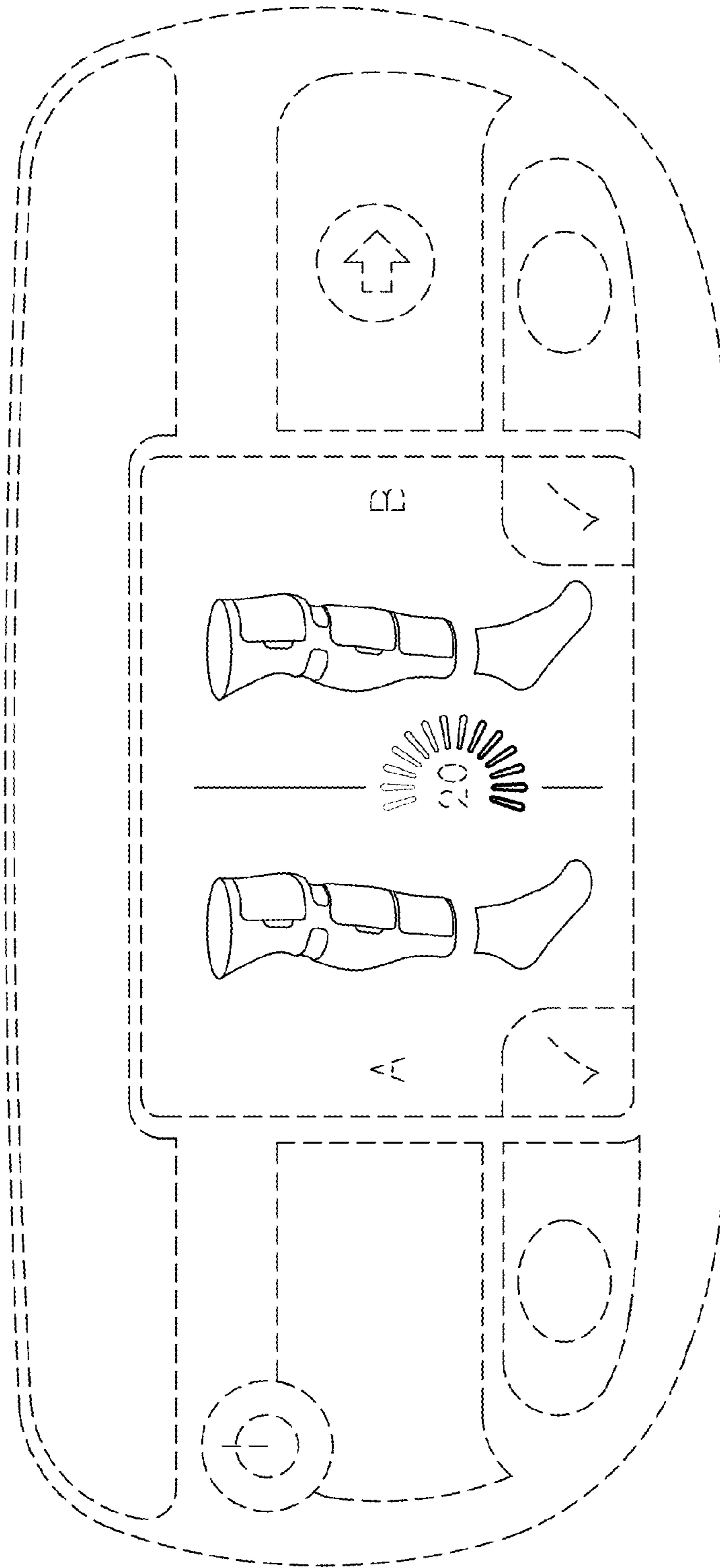


FIG. 14

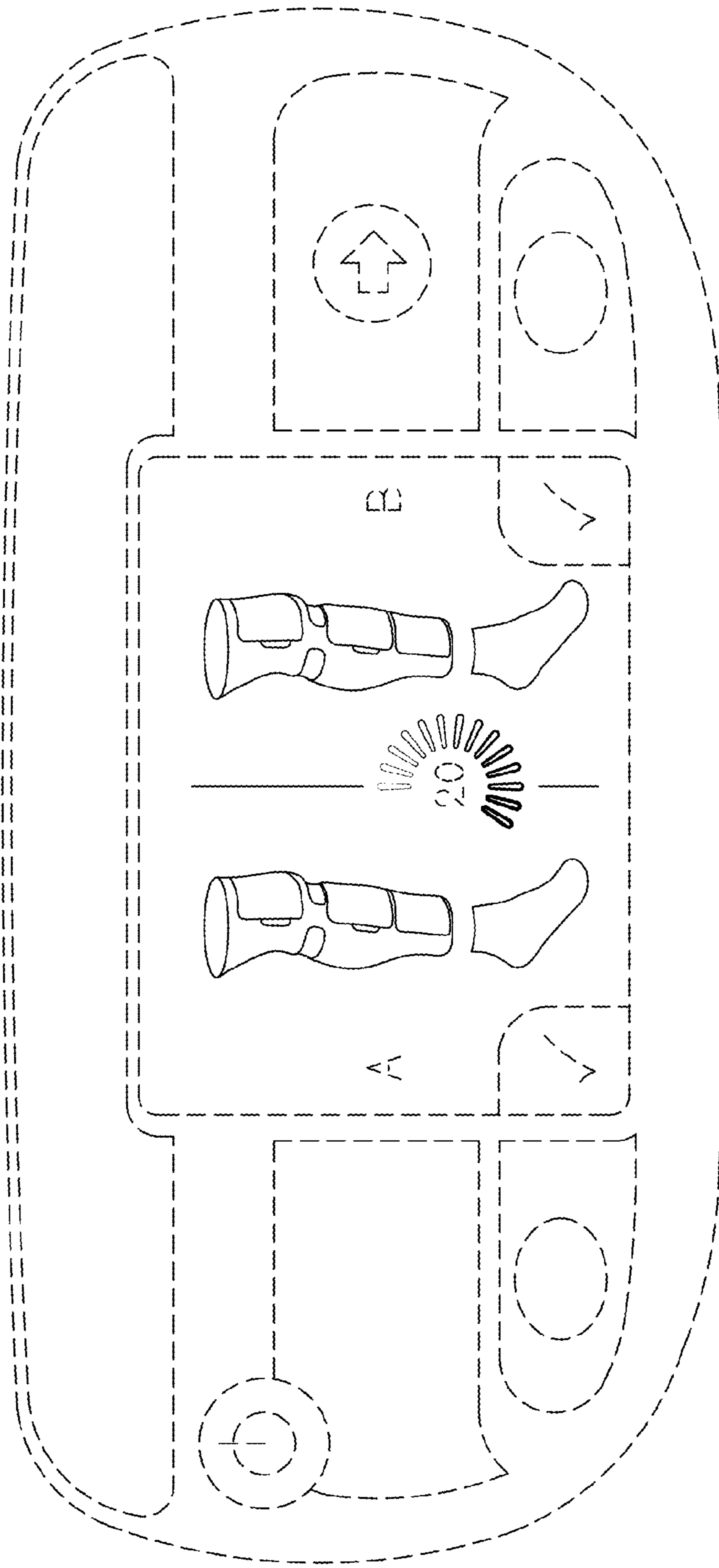


FIG. 15

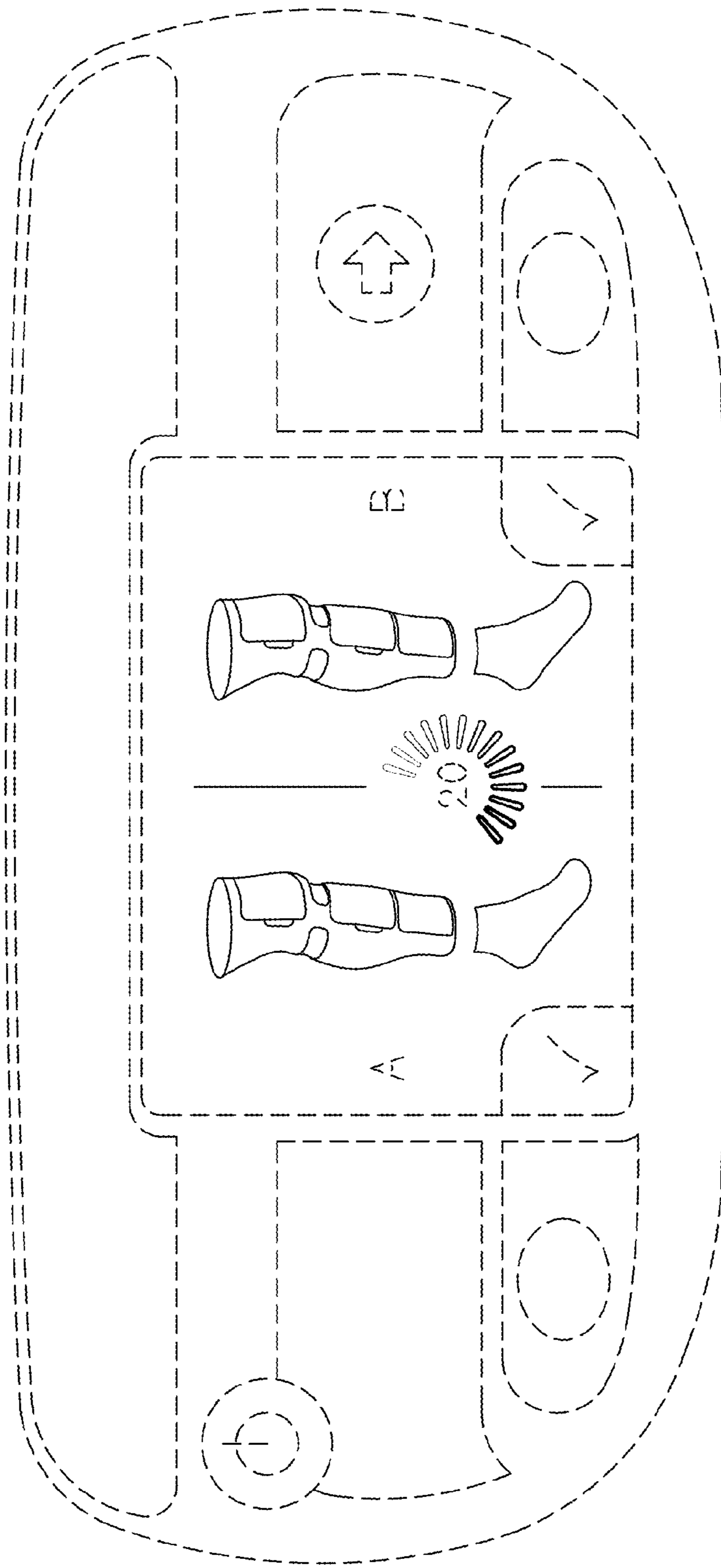


FIG. 16

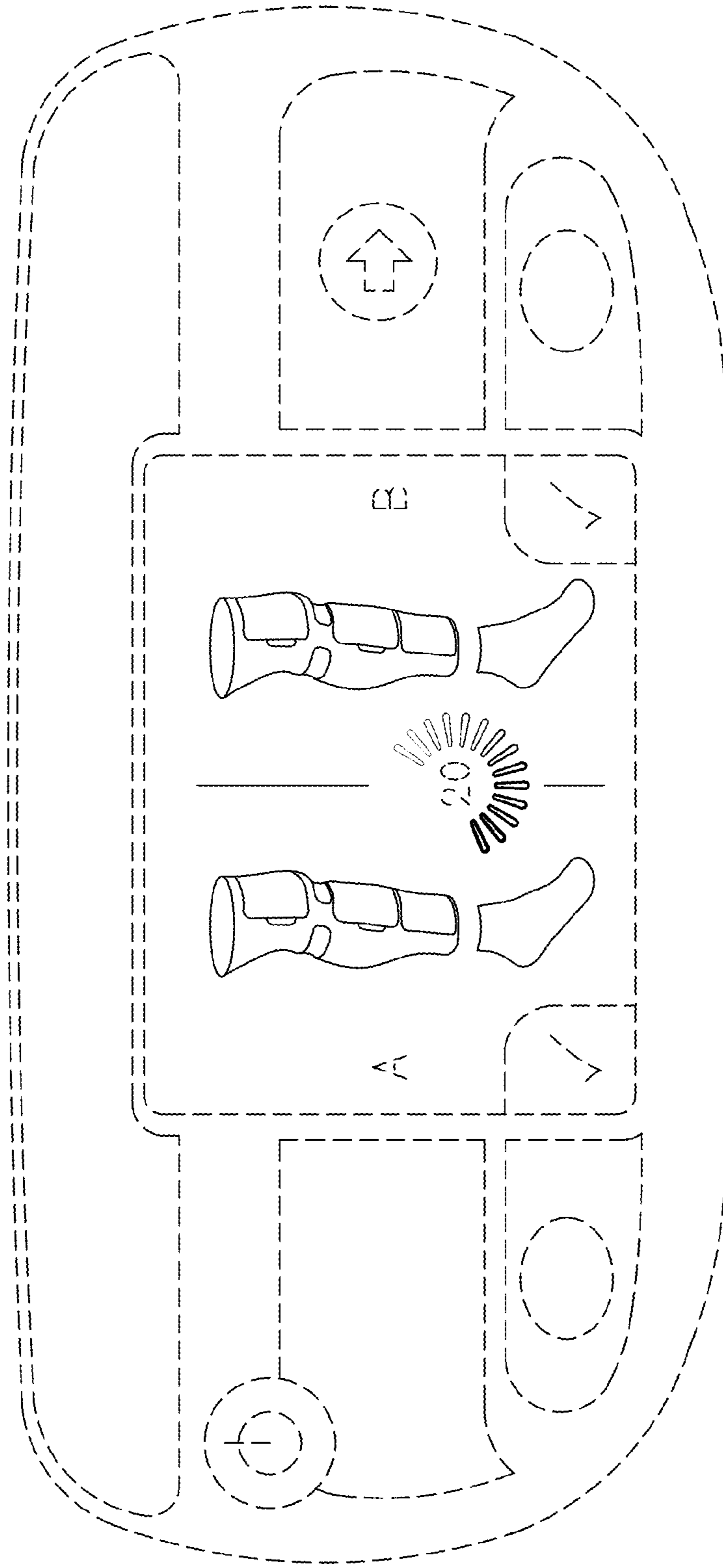


FIG. 17

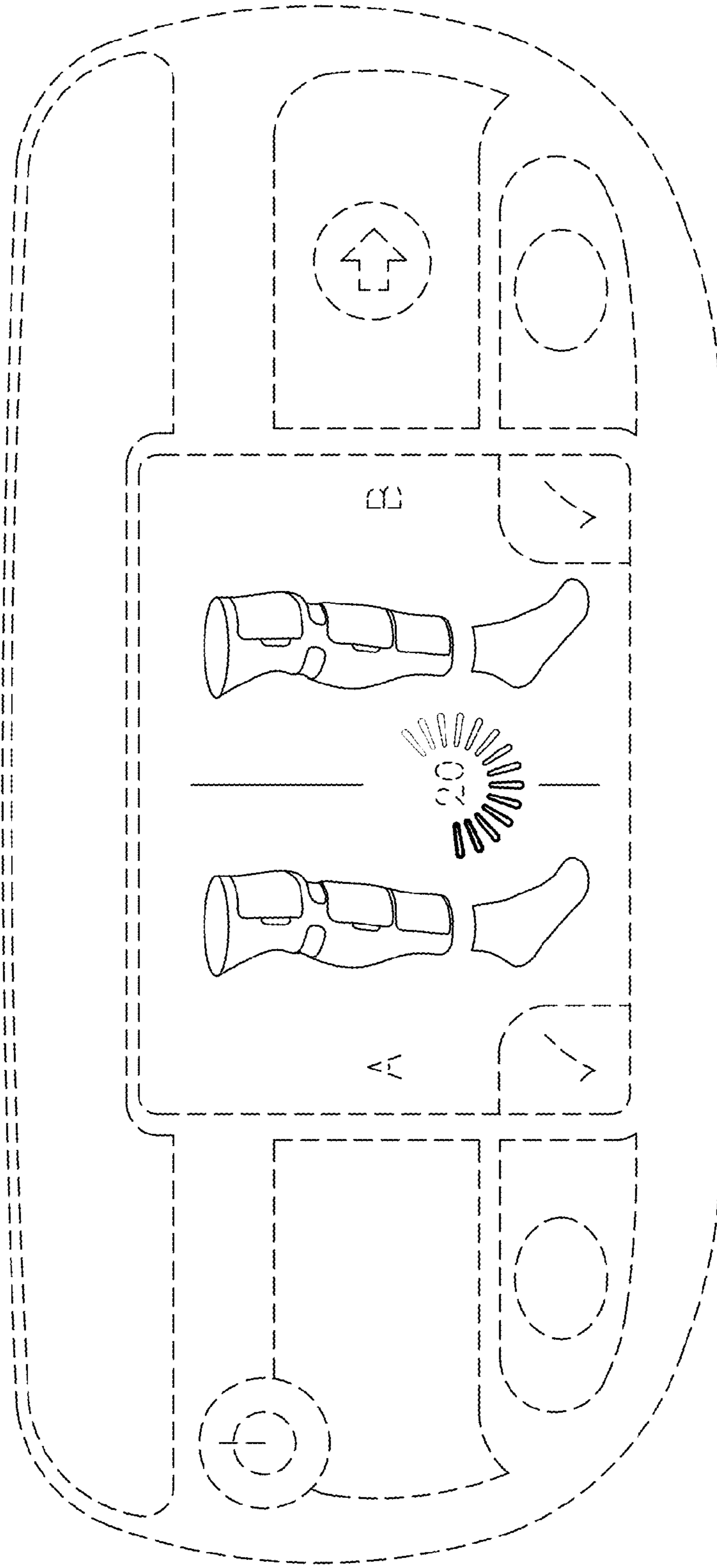


FIG. 18

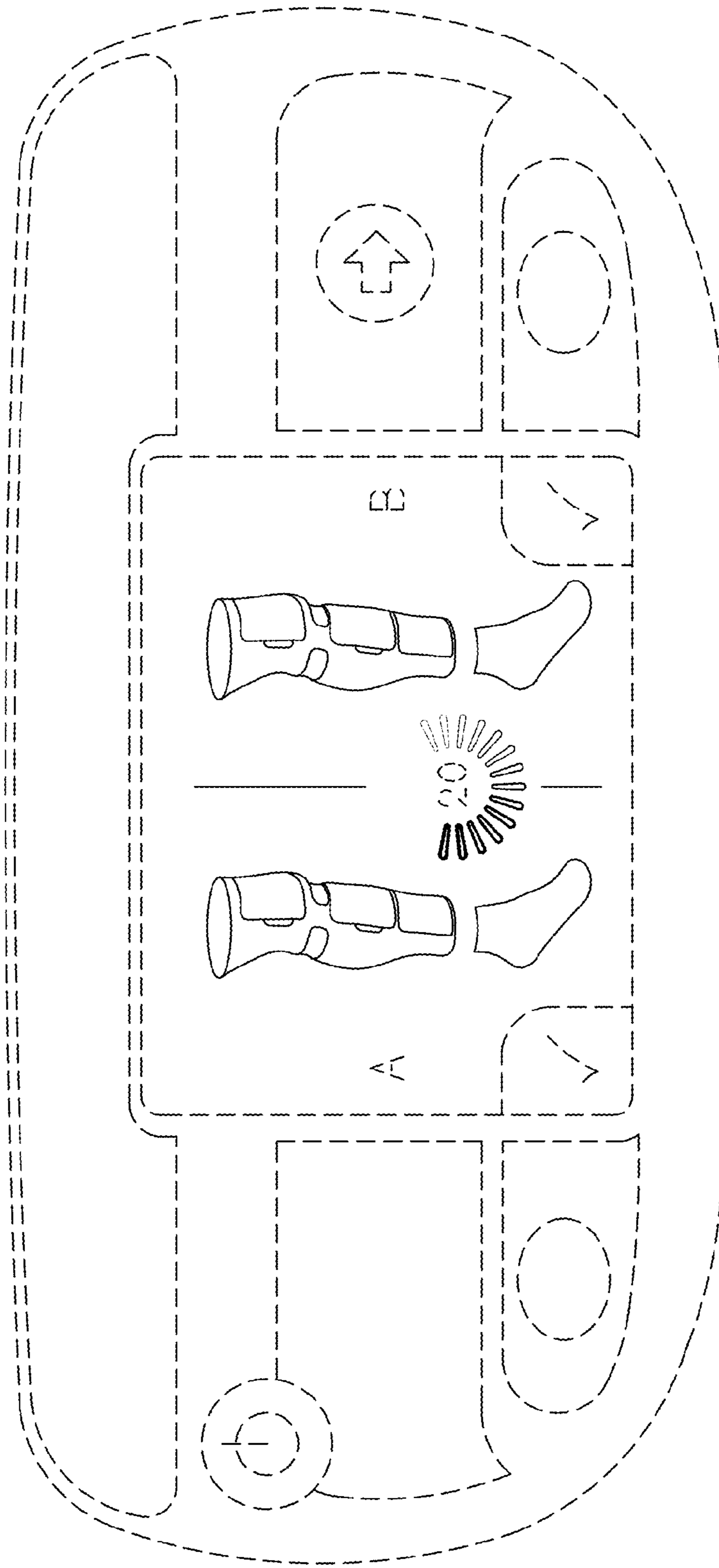


FIG. 19

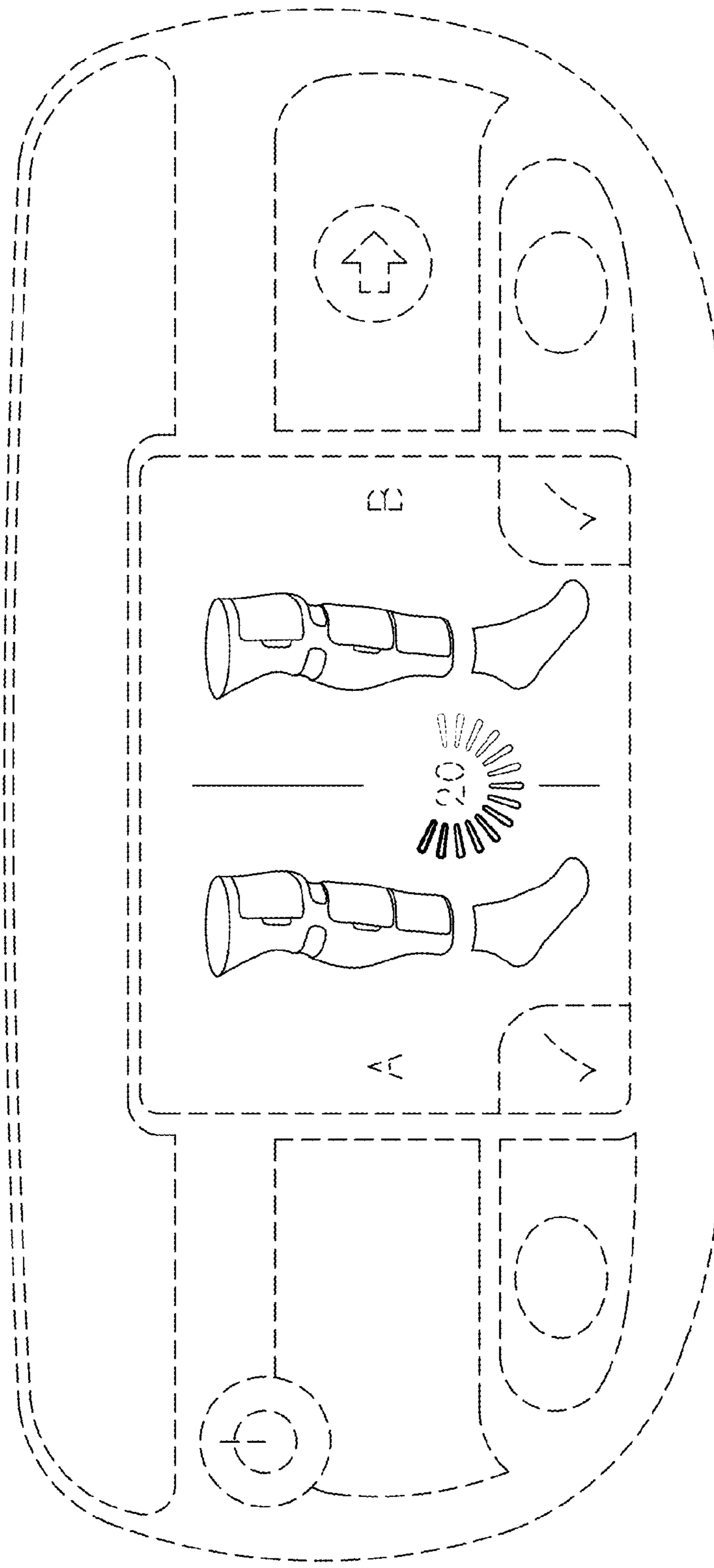


FIG. 20

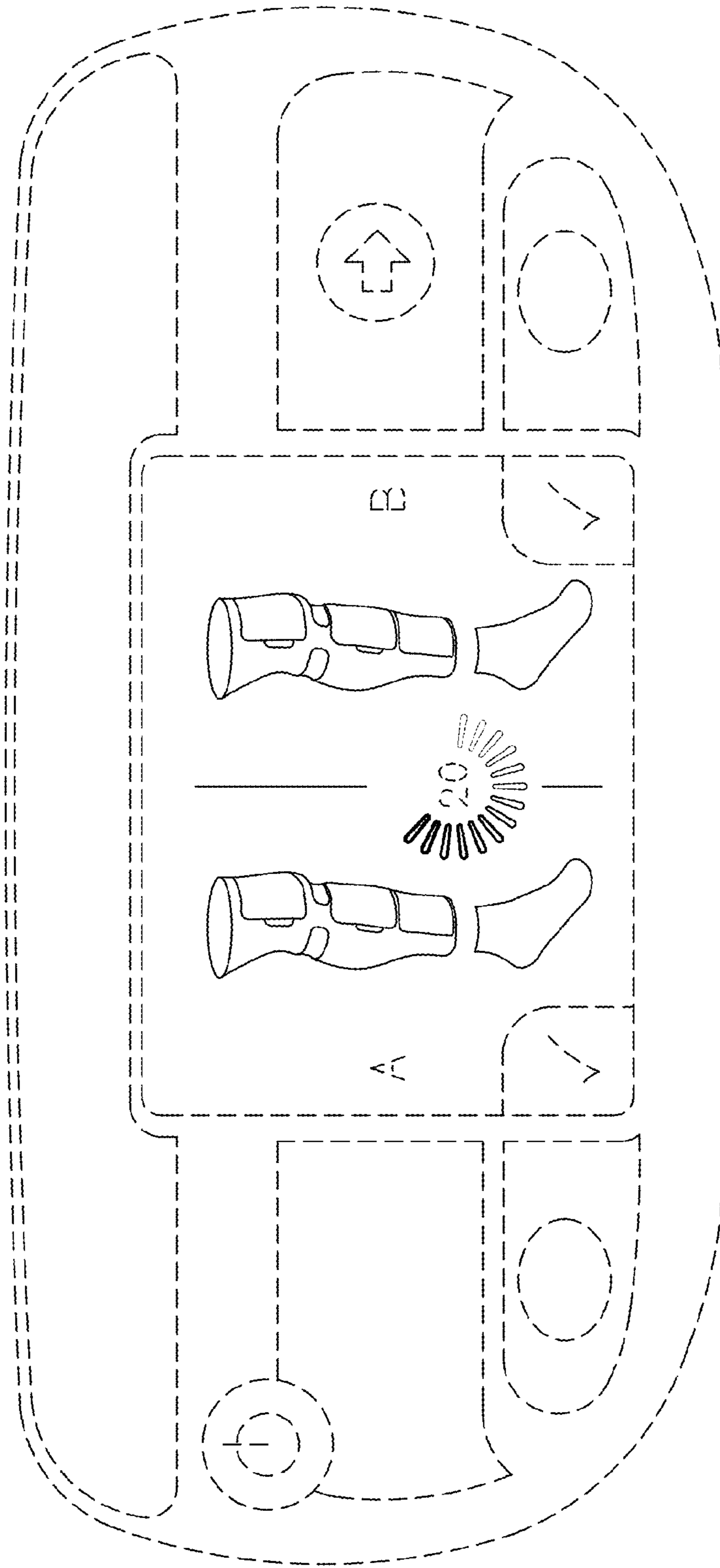


FIG. 21

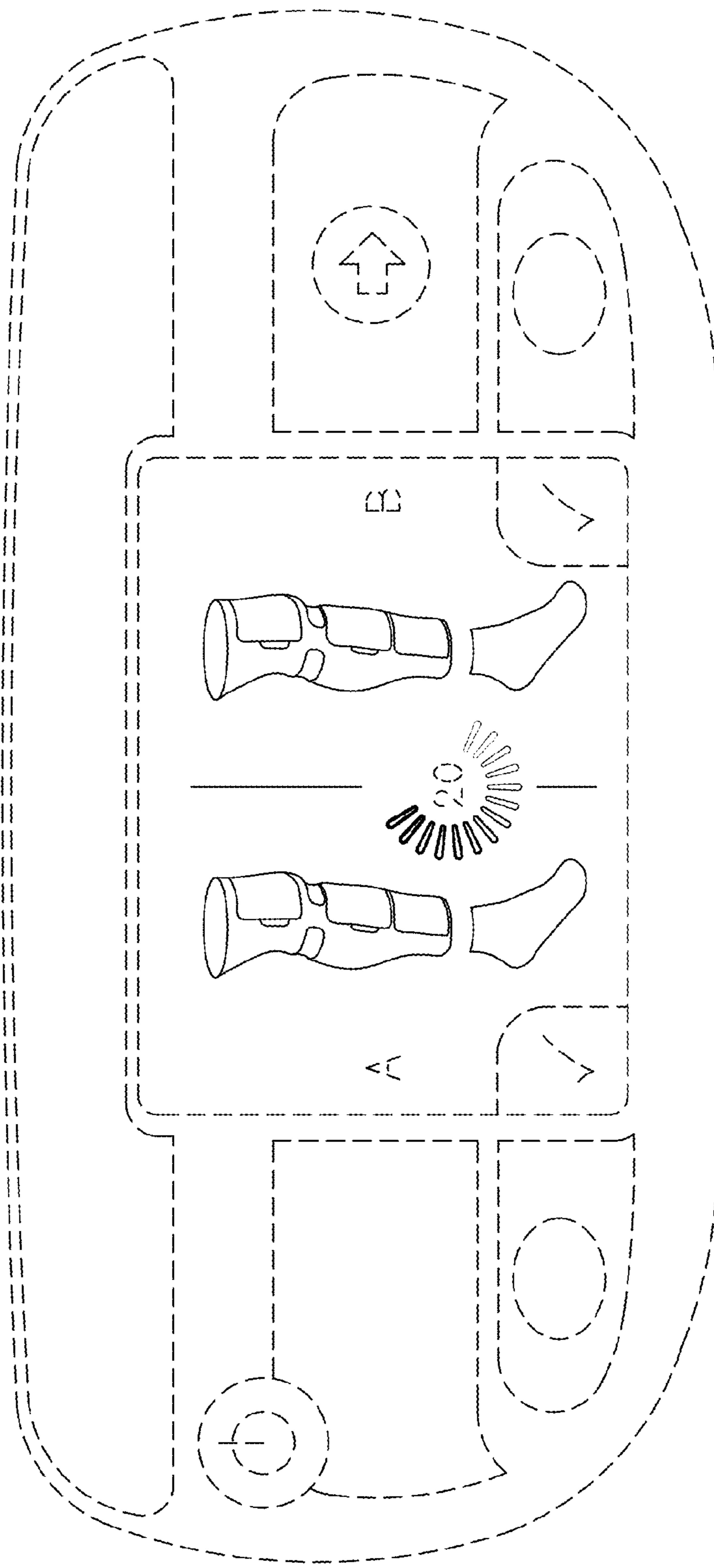


FIG. 22

