



US00D737830S

(12) **United States Design Patent**
Katopis

(10) **Patent No.:** **US D737,830 S**

(45) **Date of Patent:** **** Sep. 1, 2015**

(54) **ELECTRONIC DEVICE HOLDER WITH FLEXIBLE ELEMENT**

(71) Applicant: **Chris J Katopis**, Washington, DC (US)

(72) Inventor: **Chris J Katopis**, Washington, DC (US)

(**) Term: **14 Years**

(21) Appl. No.: **29/508,485**

(22) Filed: **Nov. 6, 2014**

(51) **LOC (10) Cl.** **08-07**

(52) **U.S. Cl.**
USPC **D14/447**

(58) **Field of Classification Search**
USPC D14/447, 451, 452, 439, 440, 432, 457,
D14/460, 461, 217, 239, 251, 253;
D6/406.3, 406.4, 406.5, 406.6;
248/460, 917-924, 150, 176.1, 177.1,
248/181.1, 188.7; 361/679.02, 679.06,
361/679.07, 679.09, 679.21, 679.22,
361/679.26, 679.27, 679.3, 679.55, 679.56;
D8/363, 373, 380
CPC F16M 2200/00; F16M 13/00; A45C
2011/003; A45C 2011/002; A47B 2023/049;
A47B 2097/005; A47B 2097/006; A47B 21/04
See application file for complete search history.

(56) **References Cited**

U.S. PATENT DOCUMENTS

4,136,848 A	1/1979	McCollum
4,349,706 A	9/1982	Thompson
4,536,694 A	8/1985	McCart et al.
4,746,090 A	5/1988	Hamilton
5,075,615 A	12/1991	Dantis
5,239,610 A	8/1993	Shao
5,253,292 A	10/1993	Fluder et al.
D356,002 S	3/1995	Morgan
D358,679 S	5/1995	Garrity
5,539,821 A	7/1996	Blonder
5,588,055 A	12/1996	Williamson et al.
5,708,705 A	1/1998	Yamashita et al.

5,825,874 A	10/1998	Humphreys et al.
D444,706 S	7/2001	Giancaspro
D465,646 S	11/2002	Hendrickson
D483,767 S *	12/2003	Green et al. D14/451
6,801,624 B2	10/2004	Muramatsu et al.

(Continued)

Primary Examiner — Angela J Lee

(74) *Attorney, Agent, or Firm* — Chris J. Katopis

(57) **CLAIM**

The ornamental design for an electronic device holder with flexible element, as shown and described.

DESCRIPTION

FIG. 1 is a front perspective view of an exemplary embodiment of an electronic device holder with flexible element showing the new design;

FIG. 2 is a front view of the embodiment shown in FIG. 1;

FIG. 3 is a right view of the embodiment shown in FIG. 1, with the opposite side view being a mirror image thereof;

FIG. 4 is a top plan view of the embodiment shown in FIG. 1;

FIG. 5 is a bottom plan view of the embodiment shown in FIG. 1;

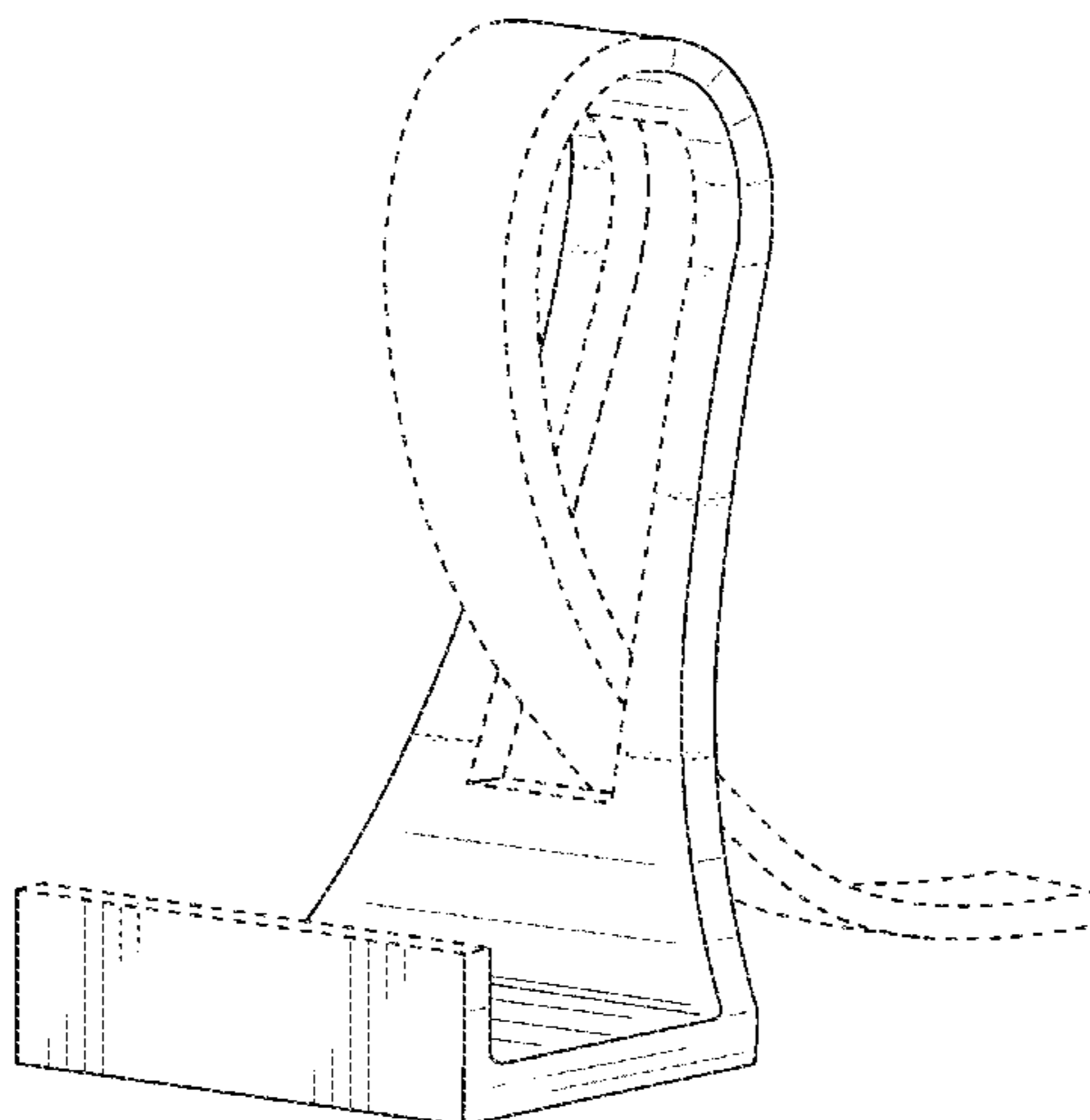
FIG. 6 is an exemplary diagram of the use of the claimed electronic device holder with flexible element in an environment thereof the broken lines being shown for illustrative purposes only and form no part of the claimed design; and,

FIG. 7 is an exemplary diagram of the use of the claimed electronic device holder with flexible element in an environment thereof the broken lines being shown for illustrative purposes only and form no part of the claimed design.

In all figures, any showing of the environment and/or drawing disclosure by broken lines is for illustrative purposes only and forms no part of the claimed design.

In an exemplary environment, the claimed electronic device holder with flexible element may be used either as a wall mounted-holder, for example but not limited to use with an electrical outlet, and/or as a free-standing stand on a surface and/or may be used with a case.

1 Claim, 7 Drawing Sheets



(56)

References Cited

U.S. PATENT DOCUMENTS

6,932,309 B1 8/2005 Corey et al.
 6,966,533 B1 11/2005 Kalis et al.
 6,969,803 B1 11/2005 Friedberg
 D519,732 S 5/2006 Gonzalez
 D521,232 S 5/2006 Andre et al.
 D526,777 S 8/2006 Andre et al.
 D533,994 S 12/2006 Hussaini et al.
 D539,291 S * 3/2007 Li et al. D14/447
 D557,259 S 12/2007 Hirsch
 D560,115 S 1/2008 Peyridieu et al.
 D564,220 S 3/2008 Dixon
 D582,894 S 12/2008 Richter
 D590,404 S * 4/2009 Kim et al. D14/447
 D592,188 S 5/2009 Huang
 D608,357 S * 1/2010 Peyridieu D14/253
 D616,431 S 5/2010 Hijmans
 D624,837 S 10/2010 Liu
 D625,715 S 10/2010 Adams, II
 D630,222 S 1/2011 Lin

D644,237 S 8/2011 Hall, II
 D651,213 S * 12/2011 Magness et al. D14/447
 D652,830 S * 1/2012 Nazar D14/253
 D663,947 S 7/2012 Jertson
 D666,409 S 9/2012 Andre et al.
 D676,037 S * 2/2013 Schupsky D14/253
 D677,260 S * 3/2013 Hong et al. D14/447
 D681,646 S * 5/2013 Ide D14/447
 D697,515 S 1/2014 Adelman et al.
 D699,246 S 2/2014 Ringlein
 D700,614 S 3/2014 Hamblet
 D703,429 S 4/2014 Morrison
 D703,673 S * 4/2014 Kittlaus D14/447
 D707,443 S 6/2014 Dailey
 D709,073 S 7/2014 Inman
 D712,394 S 9/2014 Booth et al.
 D714,281 S 9/2014 Reznik
 D715,078 S * 10/2014 Bibeau D6/678
 D717,306 S * 11/2014 Clouser D14/447
 2002/0131587 A1 9/2002 Muramatsu et al.
 2011/0278421 A1 * 11/2011 Guldalian 248/459

* cited by examiner

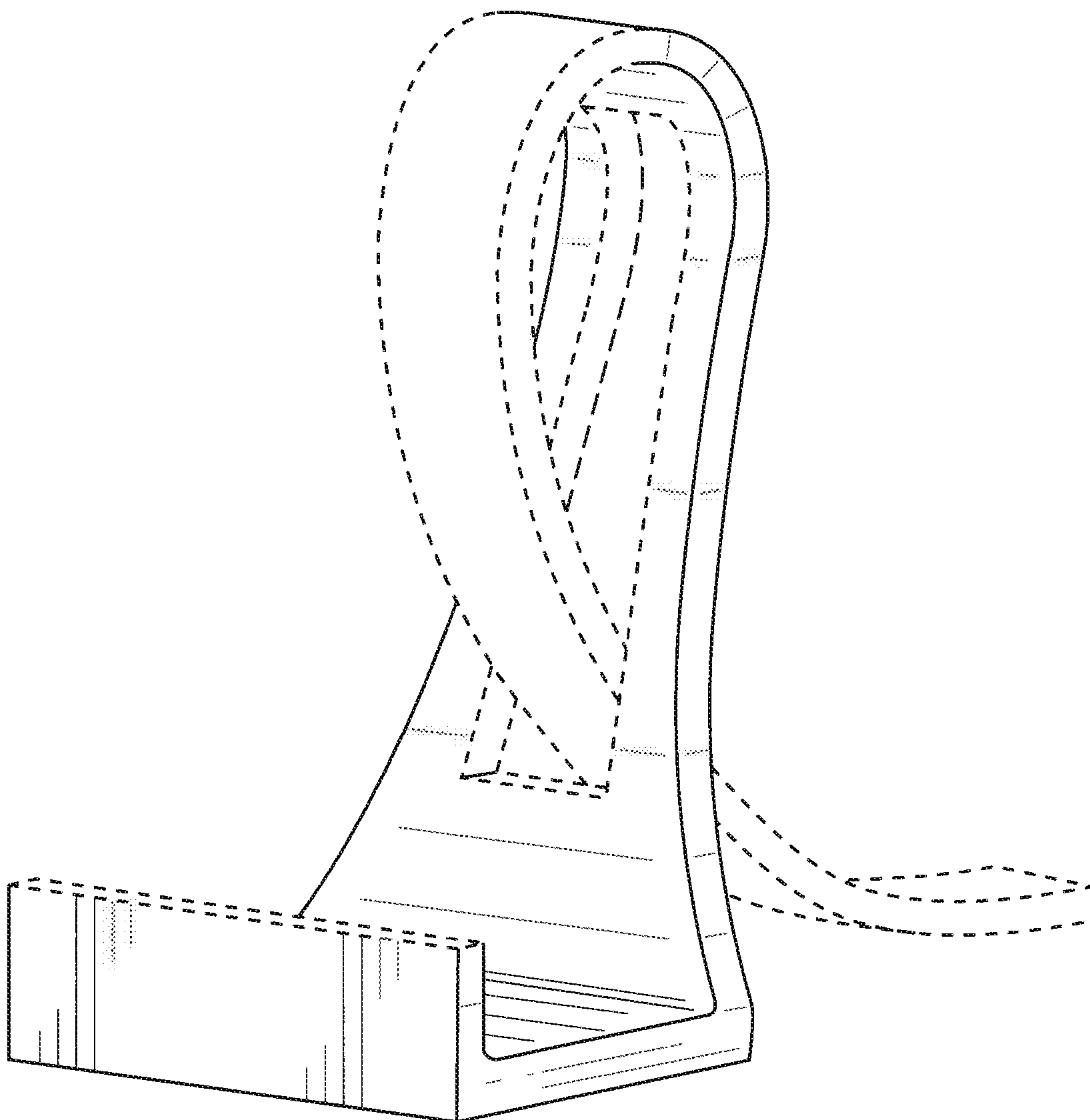


FIG. 1

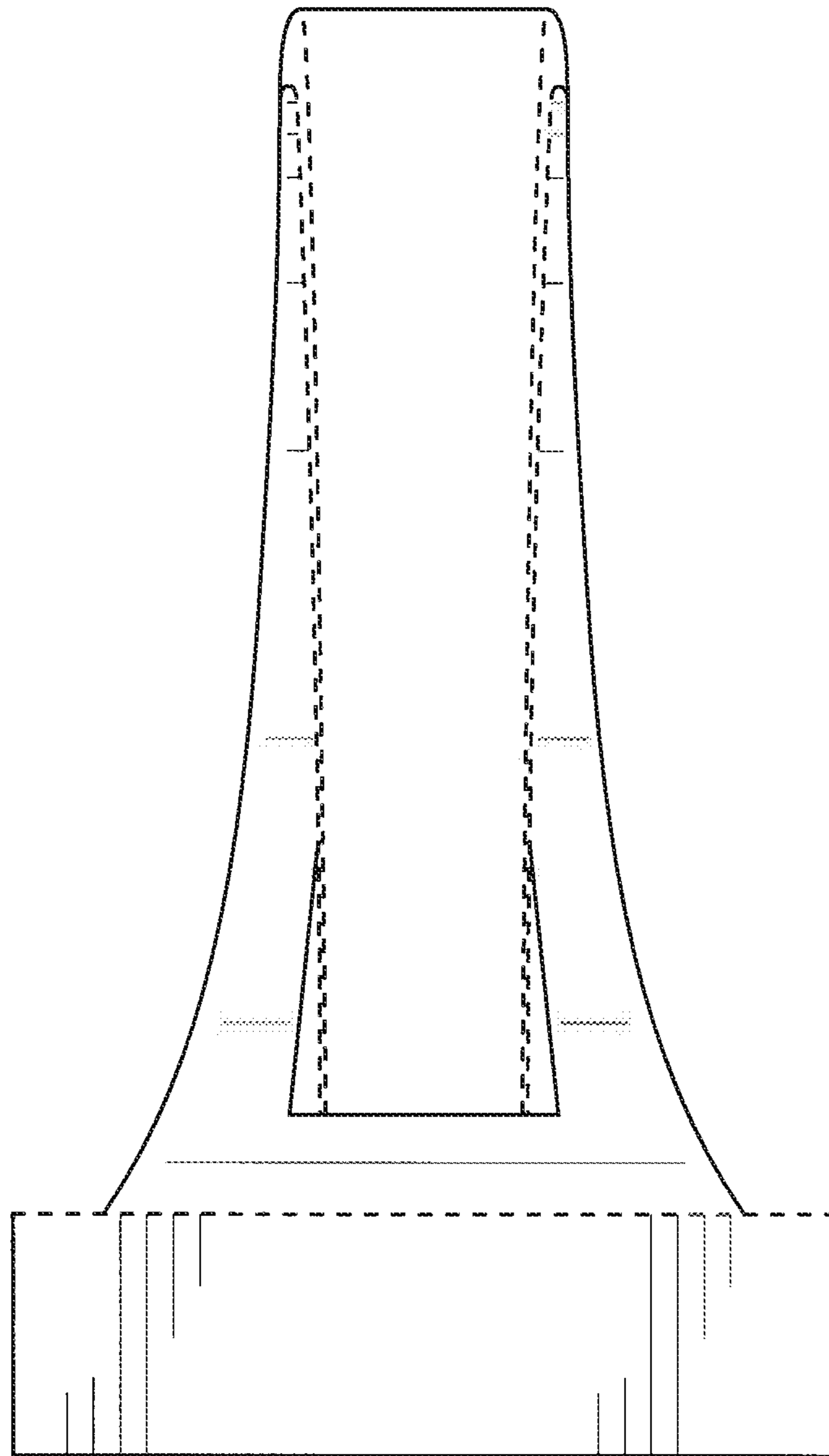


FIG. 2

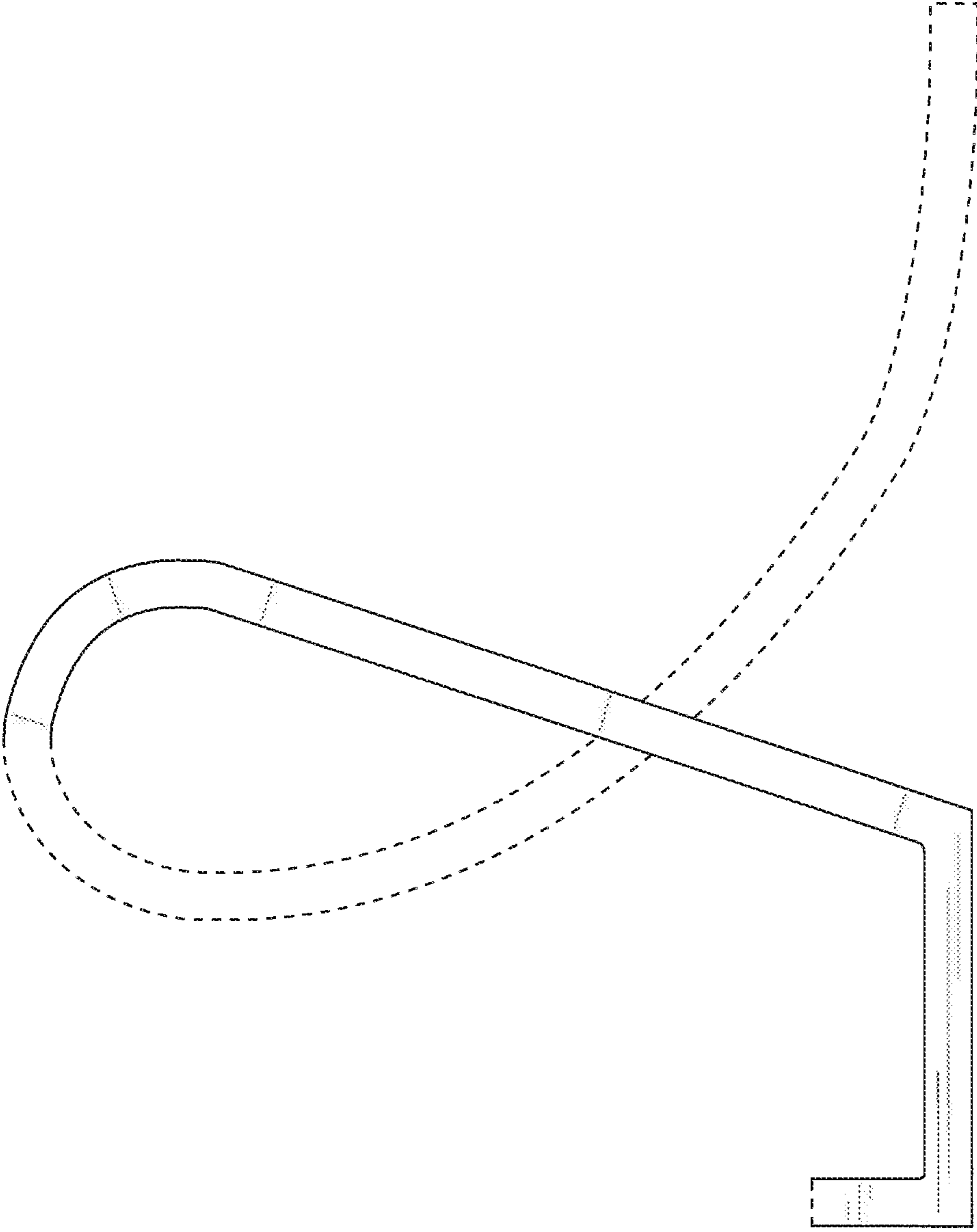


FIG. 3

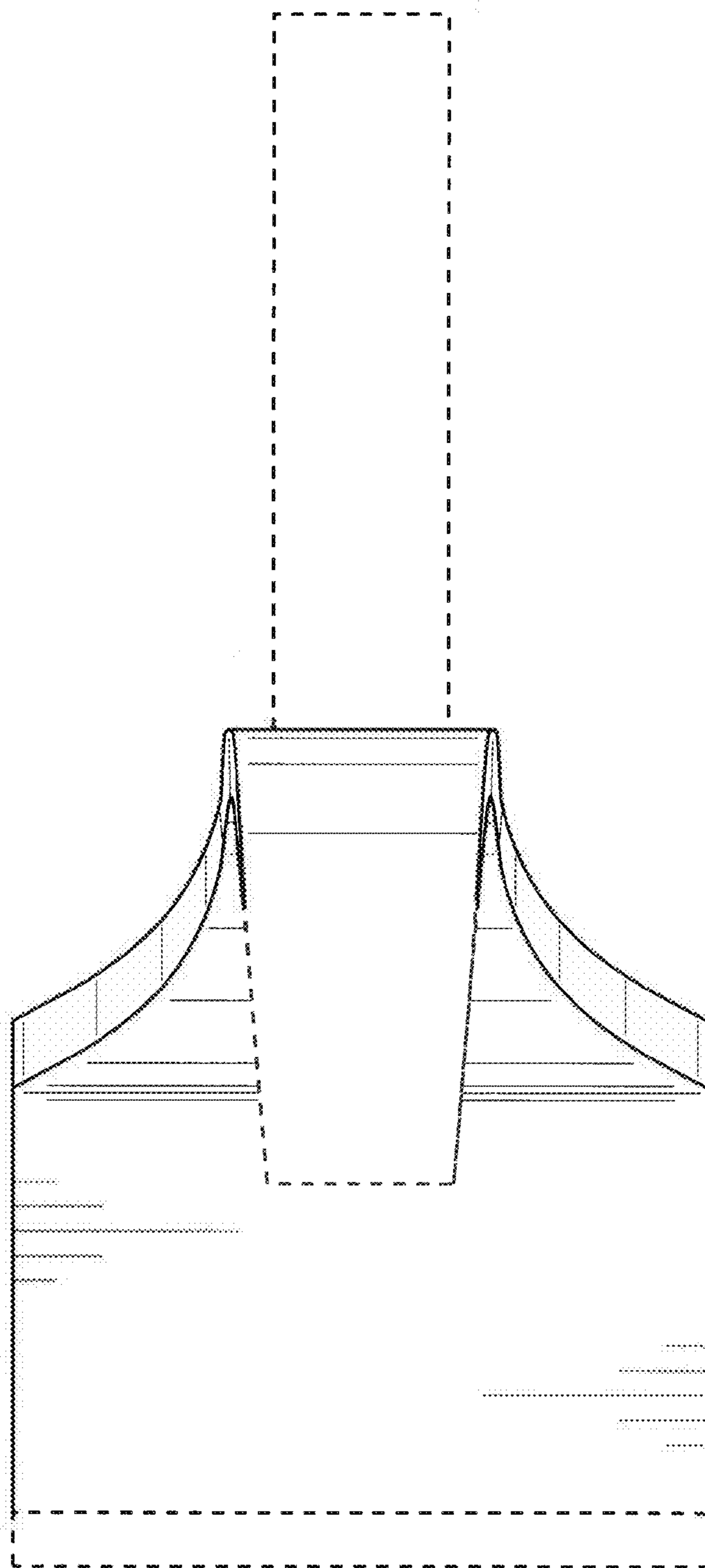


FIG. 4

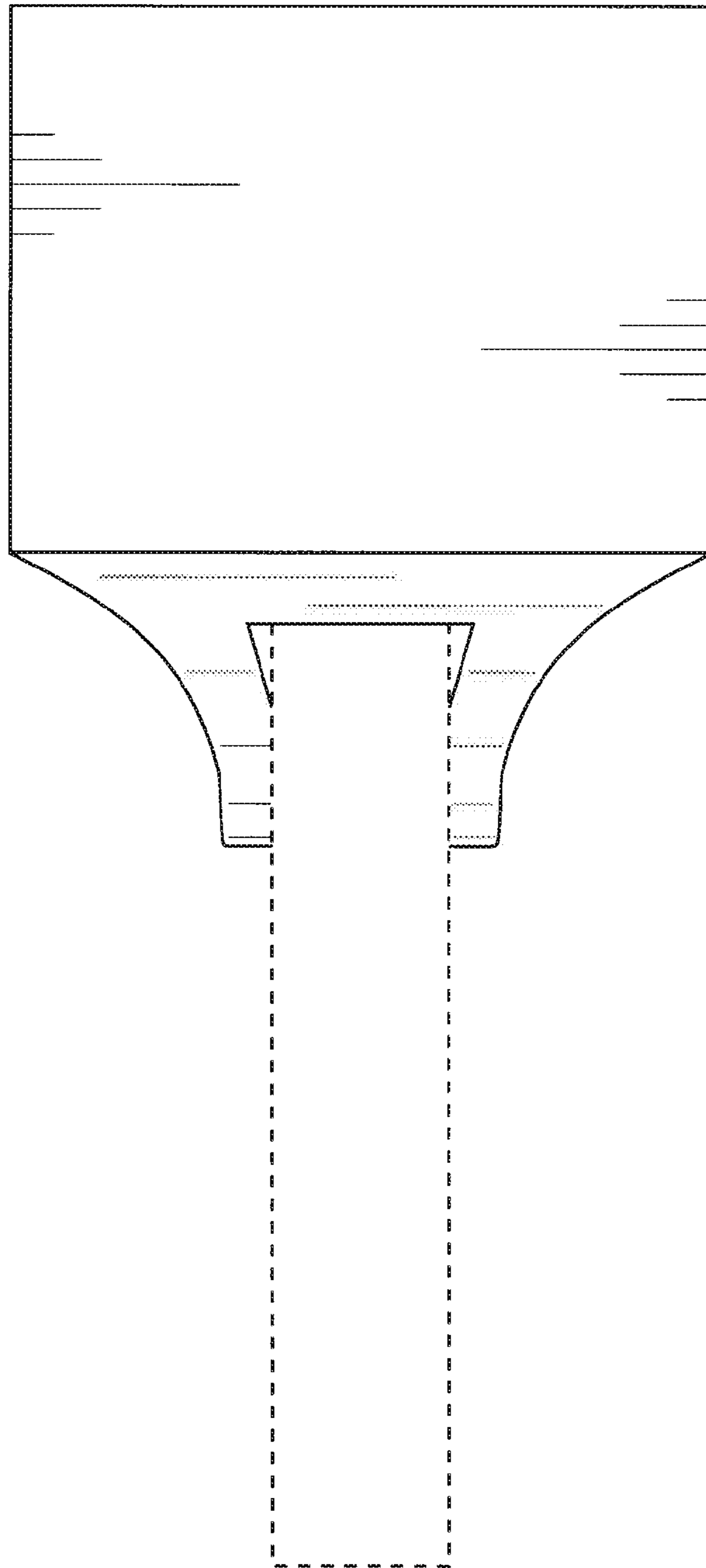


FIG. 5

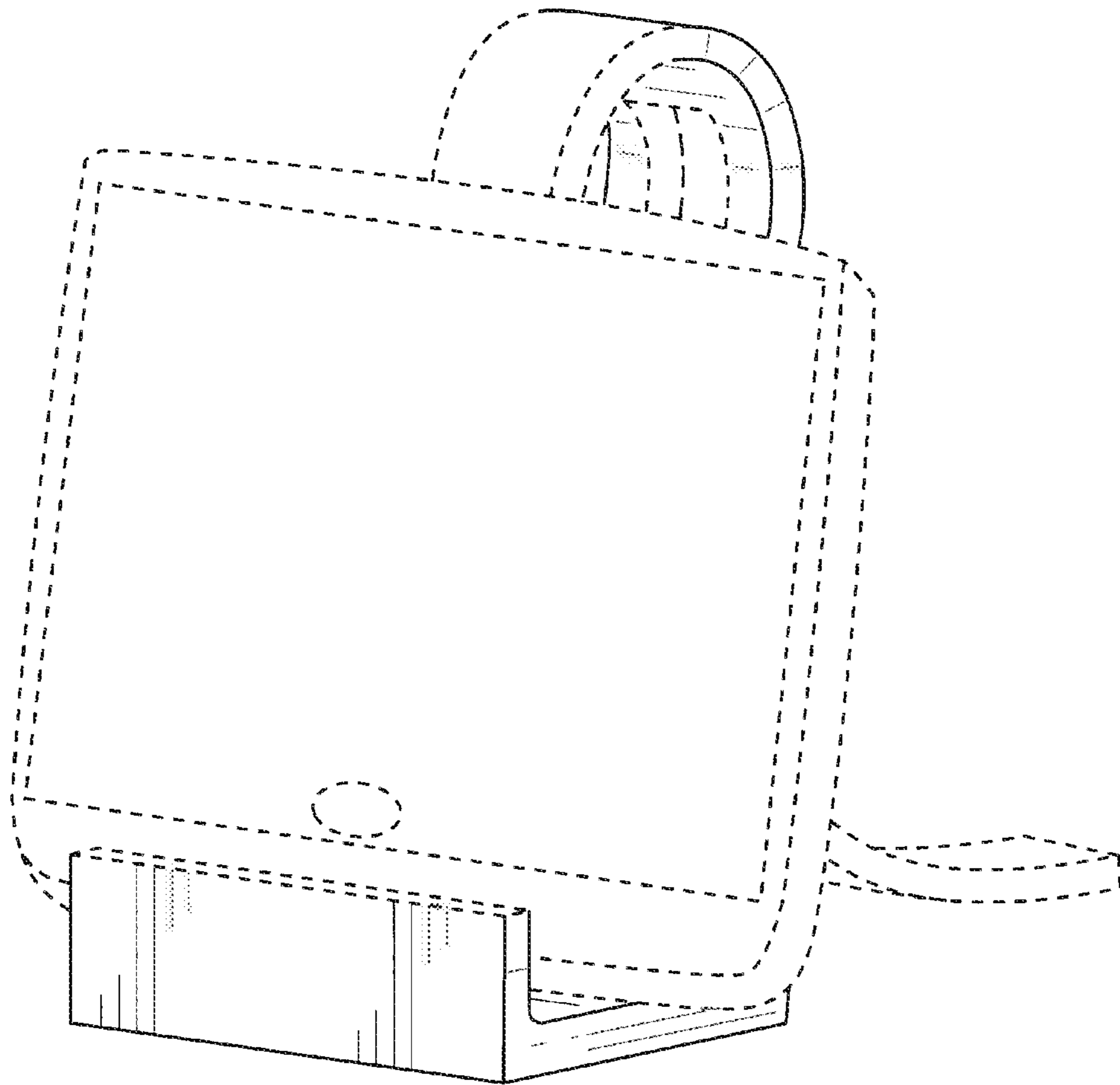


FIG. 6

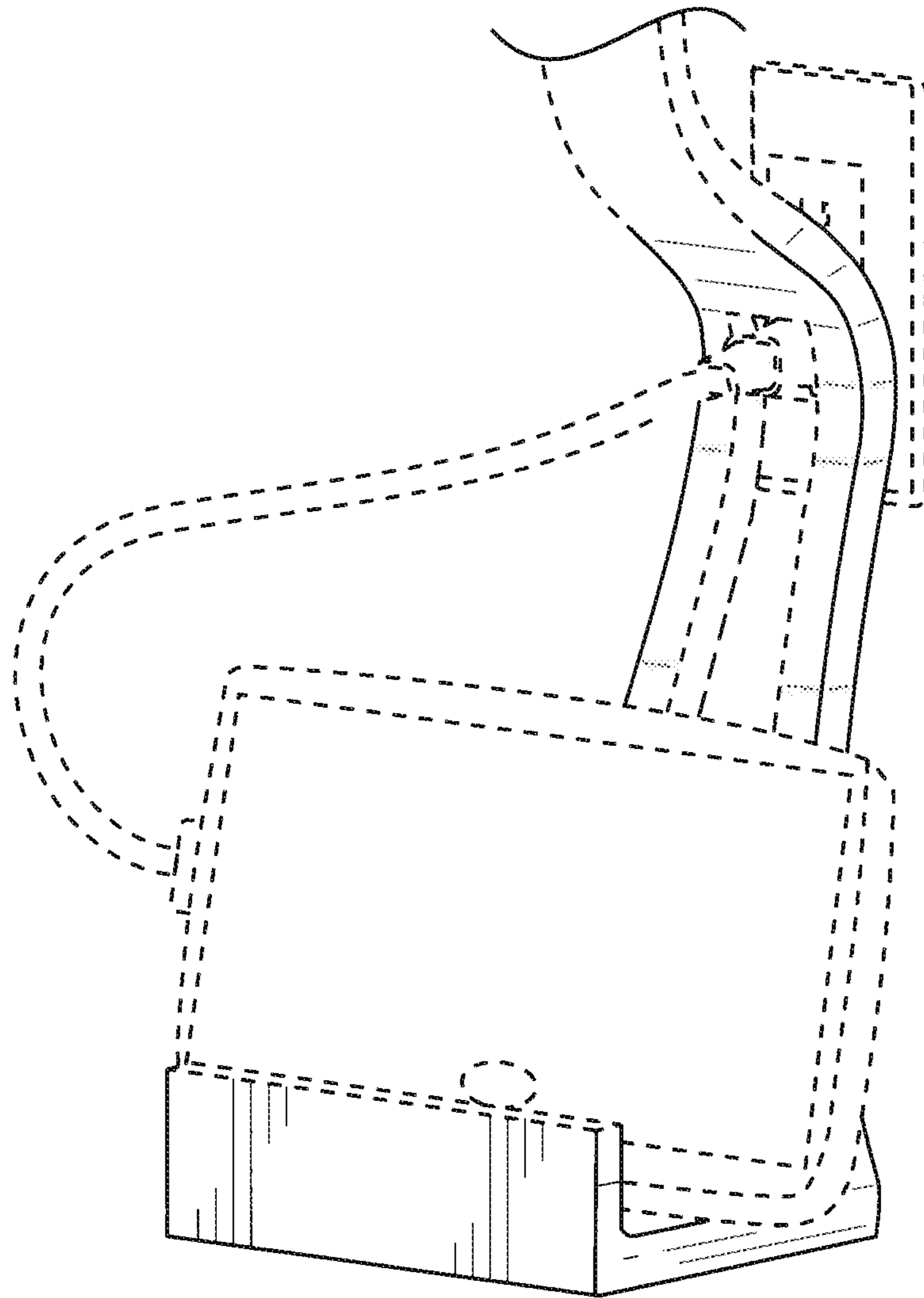


FIG. 7