



US00D737824S

(12) **United States Design Patent**
Jagadish et al.

(10) **Patent No.:** **US D737,824 S**
(45) **Date of Patent:** **** Sep. 1, 2015**

- (54) **MULTI-PURPOSE GRIP FOR A PORTABLE COMPUTING DEVICE**
- (71) Applicant: **INTEL CORPORATION**, Santa Clara, CA (US)
- (72) Inventors: **Harish Jagadish**, Bangalore (IN);
Gokul Subramaniam, Bangalore (IN);
Madhukar Patil, Bangalore (IN)
- (73) Assignee: **Intel Corporation**, Santa Clara, CA (US)
- (**) Term: **14 Years**
- (21) Appl. No.: **29/465,786**
- (22) Filed: **Aug. 30, 2013**
- (51) **LOC (10) Cl.** **14-02**
- (52) **U.S. Cl.**
USPC **D14/432**
- (58) **Field of Classification Search**
USPC D14/300–302, 308–313, 314, 348,
D14/353–355, 432, 439–446, 447, 451;
361/679.02, 679.31, 679.5, 690, 694,
361/679.23, 801, 802; 312/332.1, 334.1;
D19/65, 91; D3/218; D8/354, 373;
D12/193; 248/206.2
CPC A45C 11/00; A45C 2011/003; B60R
11/0241; B60R 11/0252; F16M 13/00; F16M
11/00
See application file for complete search history.

- D618,244 S * 6/2010 Sweet et al. D14/432
- D673,162 S * 12/2012 Young D14/447
- D687,442 S * 8/2013 Nishimura D14/447
- D701,510 S * 3/2014 Brisbin D14/447
- D709,512 S * 7/2014 Wardlaw D14/447
- D716,308 S * 10/2014 Park et al. D14/432
- 8,887,357 B2 * 11/2014 Jimenez 16/421
- D725,660 S * 3/2015 Trotsky D14/447

* cited by examiner

Primary Examiner — Austin Murphy

(74) *Attorney, Agent, or Firm* — International IP Law Group, P.L.L.C.

(57) **CLAIM**

The ornamental design for a multi-purpose grip for a portable computing device, as shown and described in FIGS. 1-14.

DESCRIPTION

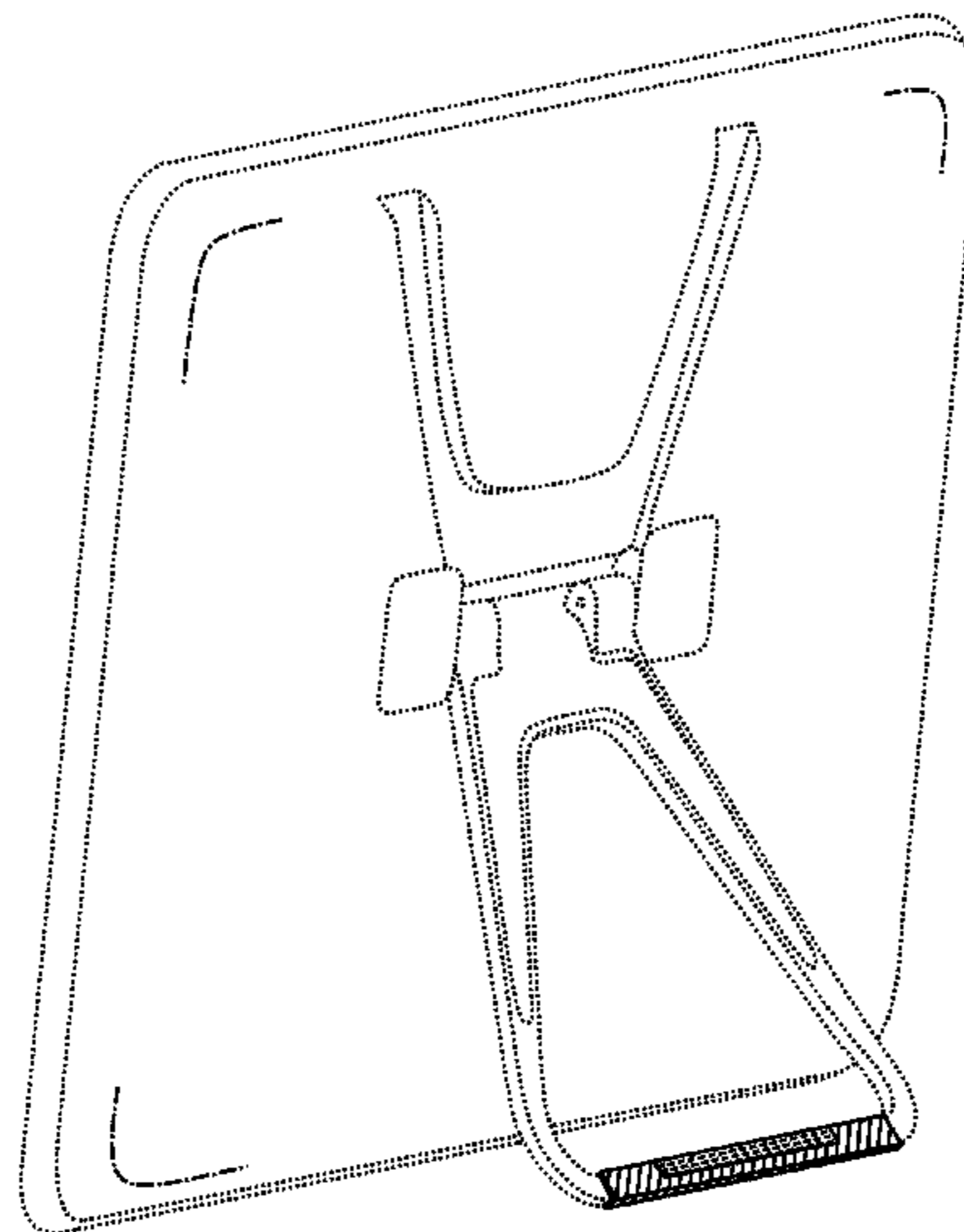
FIG. 1 is a perspective view of a multi-purpose grip for a portable computing device showing my new design;
 FIG. 2 is a front view thereof;
 FIG. 3 is a back view thereof;
 FIG. 4 is a side view thereof;
 FIG. 5 is a side view thereof;
 FIG. 6 is a top view thereof;
 FIG. 7 is a bottom view thereof;
 FIG. 8 is a perspective view thereof showing the article in a position of use;
 FIG. 9 is a front view of FIG. 8;
 FIG. 10 is a back view of FIG. 8;
 FIG. 11 is a side view of FIG. 8;
 FIG. 12 is another side view of FIG. 8;
 FIG. 13 is a top view of FIG. 8; and,
 FIG. 14 is a bottom view of FIG. 8.

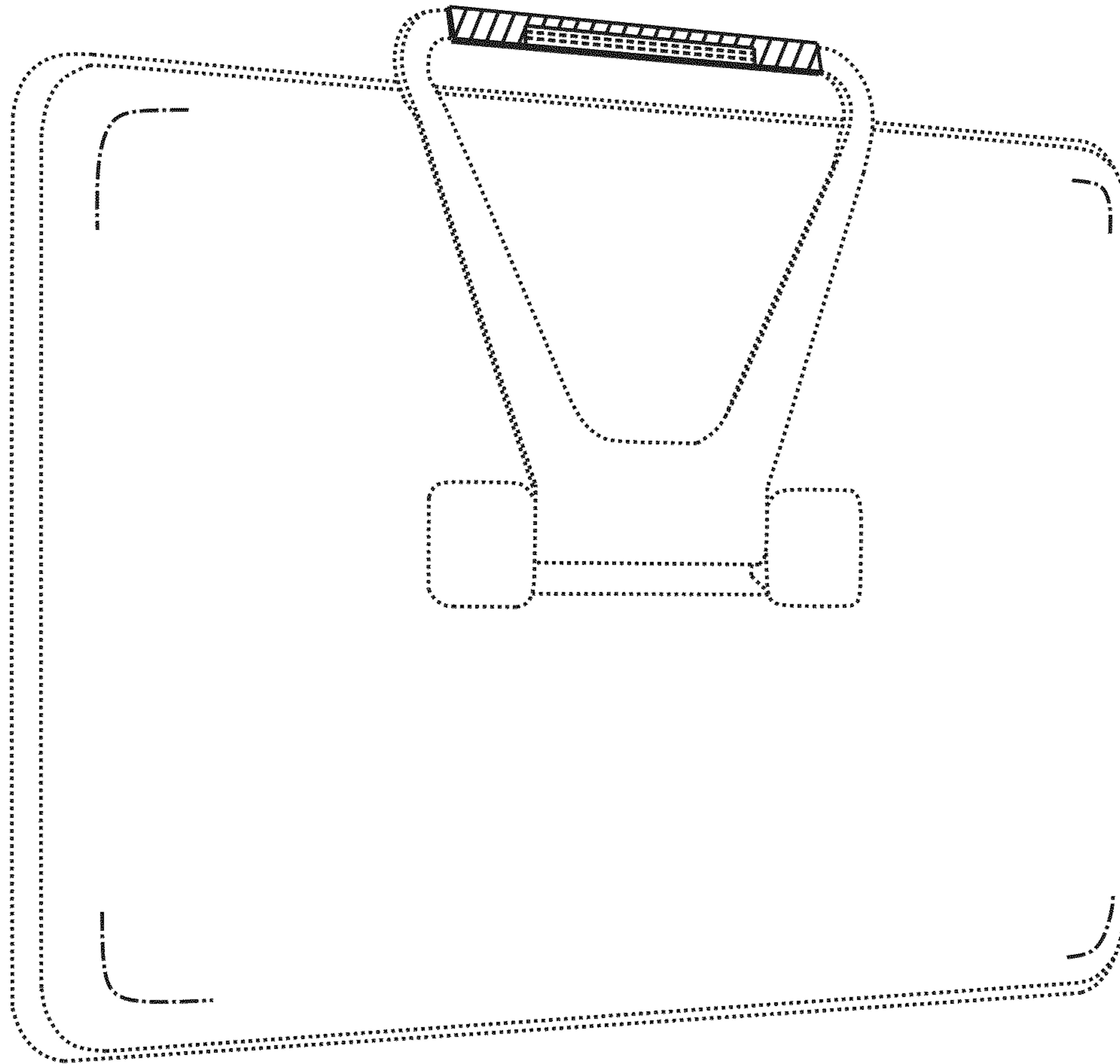
1 Claim, 14 Drawing Sheets

(56) **References Cited**

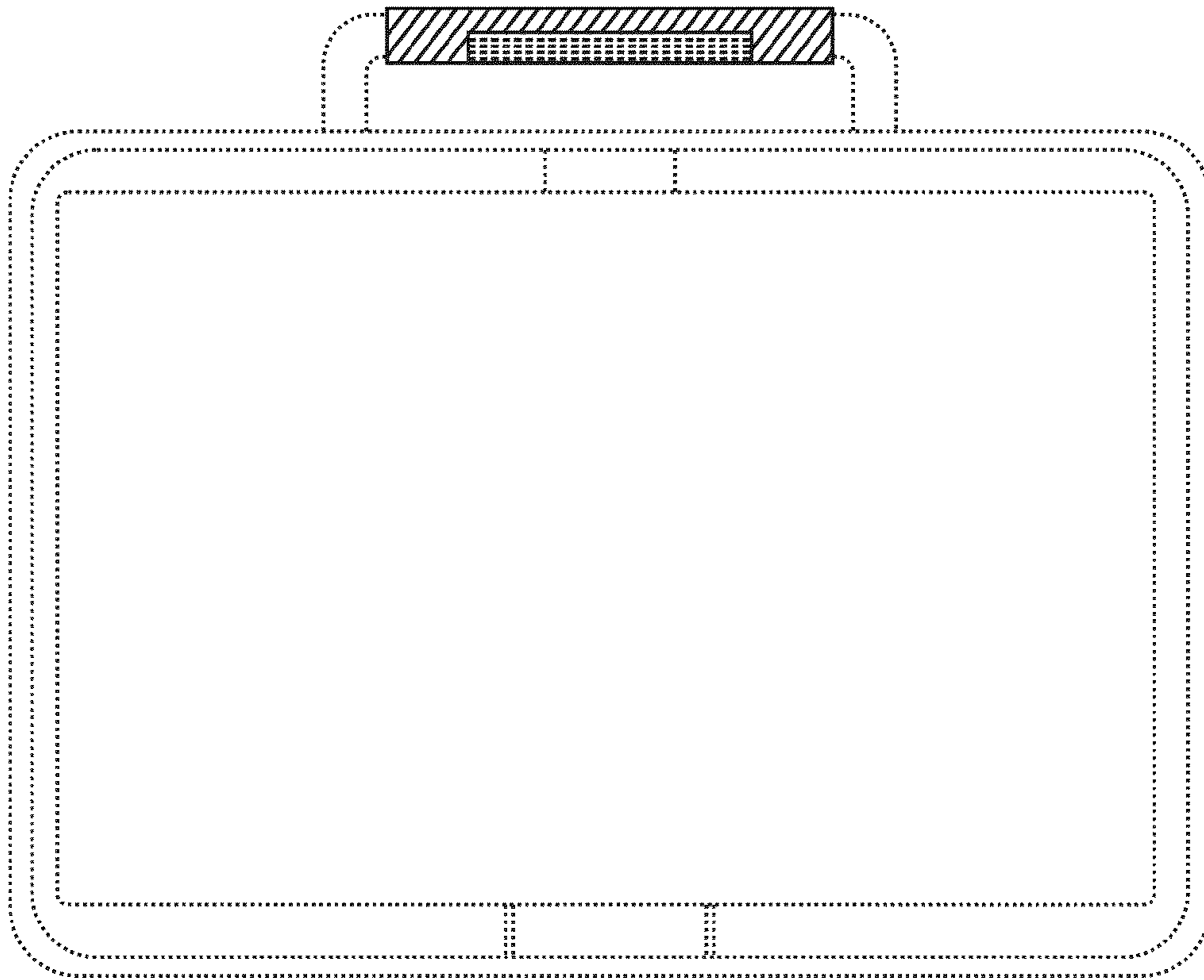
U.S. PATENT DOCUMENTS

- D551,062 S * 9/2007 Nawrocki D8/367
- D598,919 S * 8/2009 Takemasa et al. D14/432
- D613,291 S * 4/2010 Carver D14/432

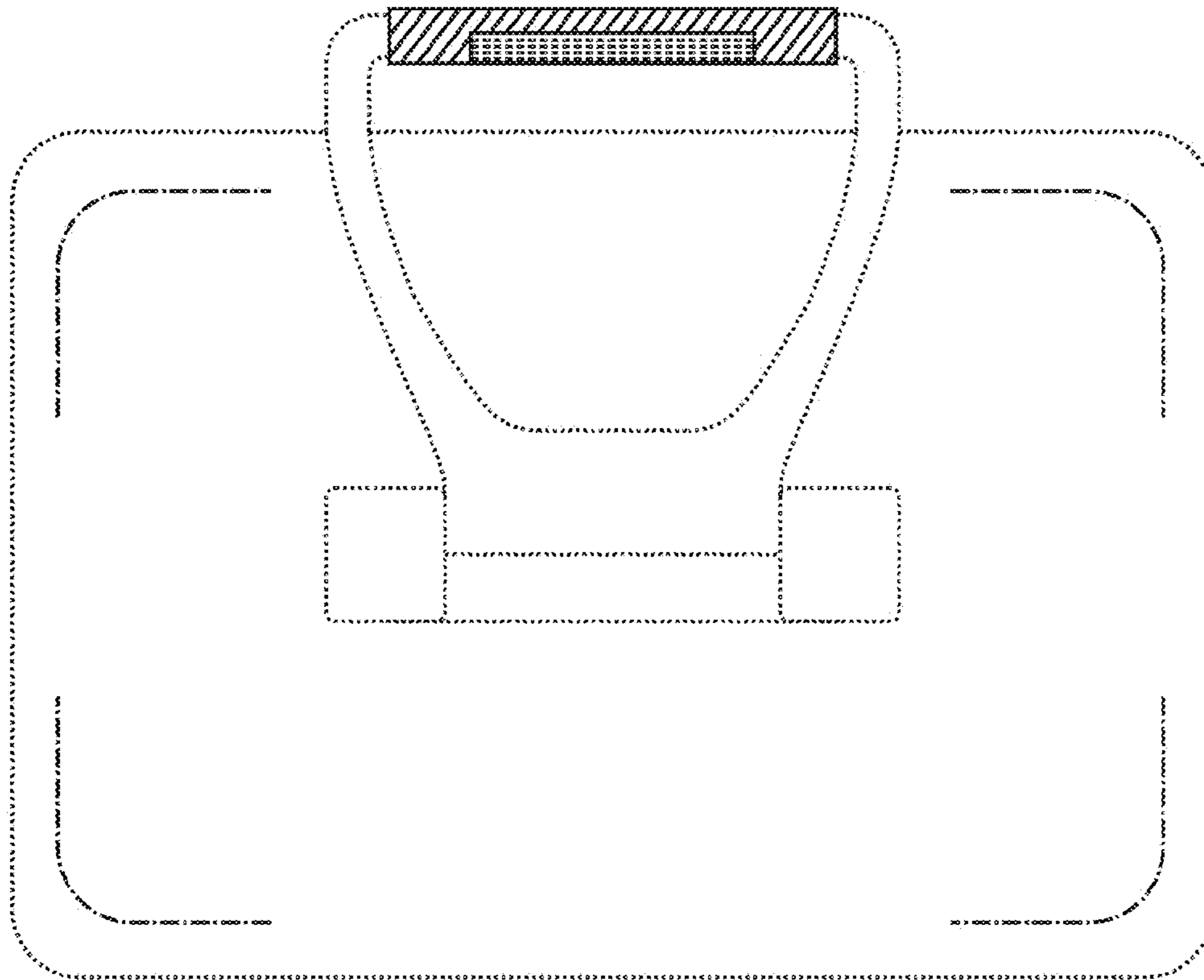




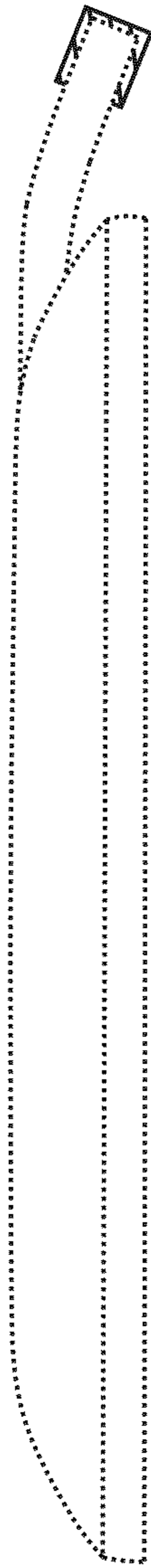
100
FIG. 1



200
FIG. 2

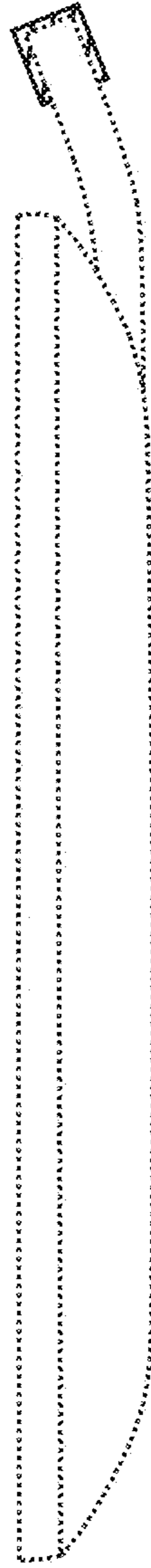


300
FIG. 3



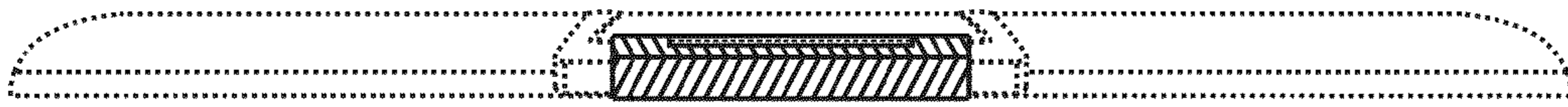
400

FIG. 4



500

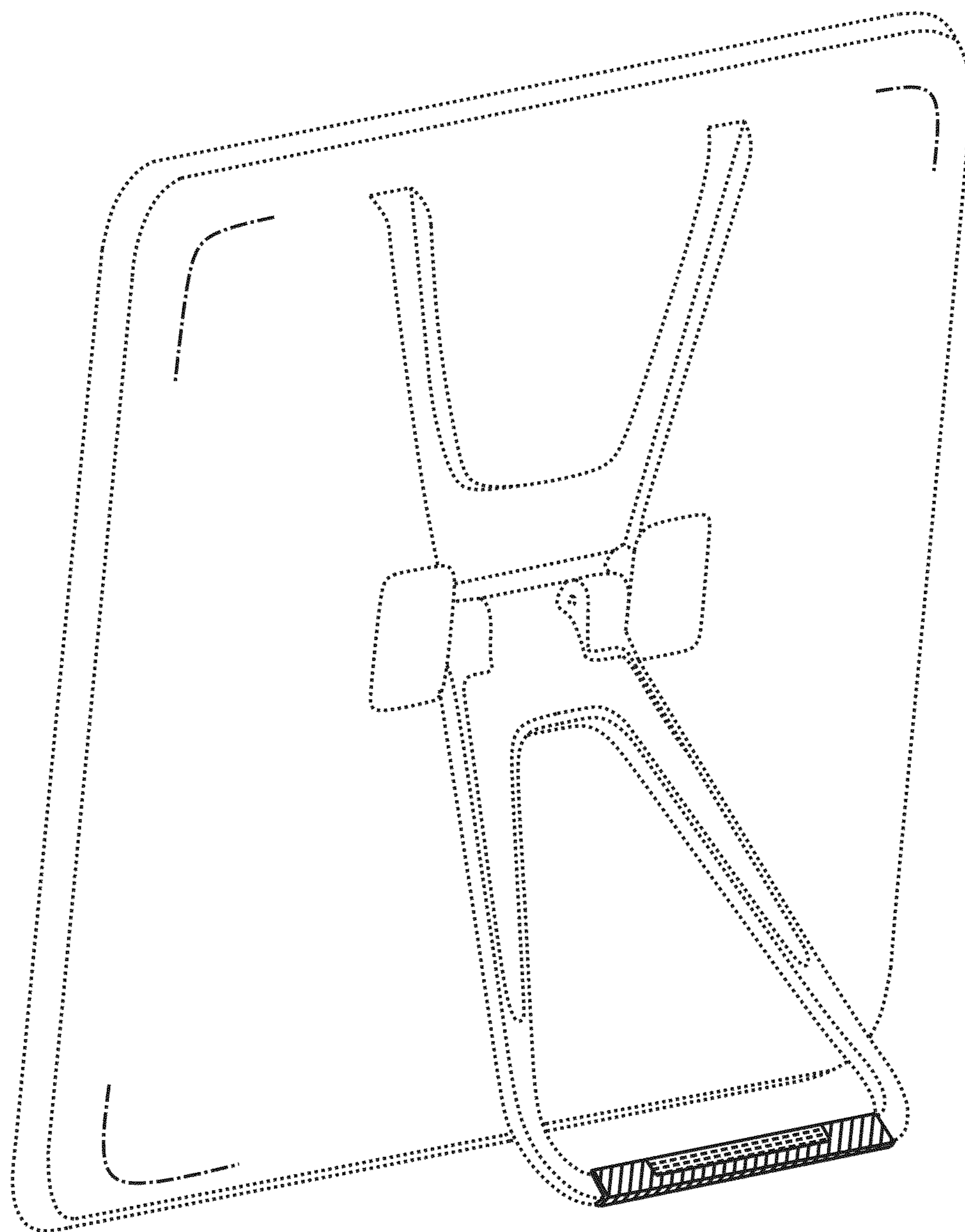
FIG. 5



600
FIG. 6

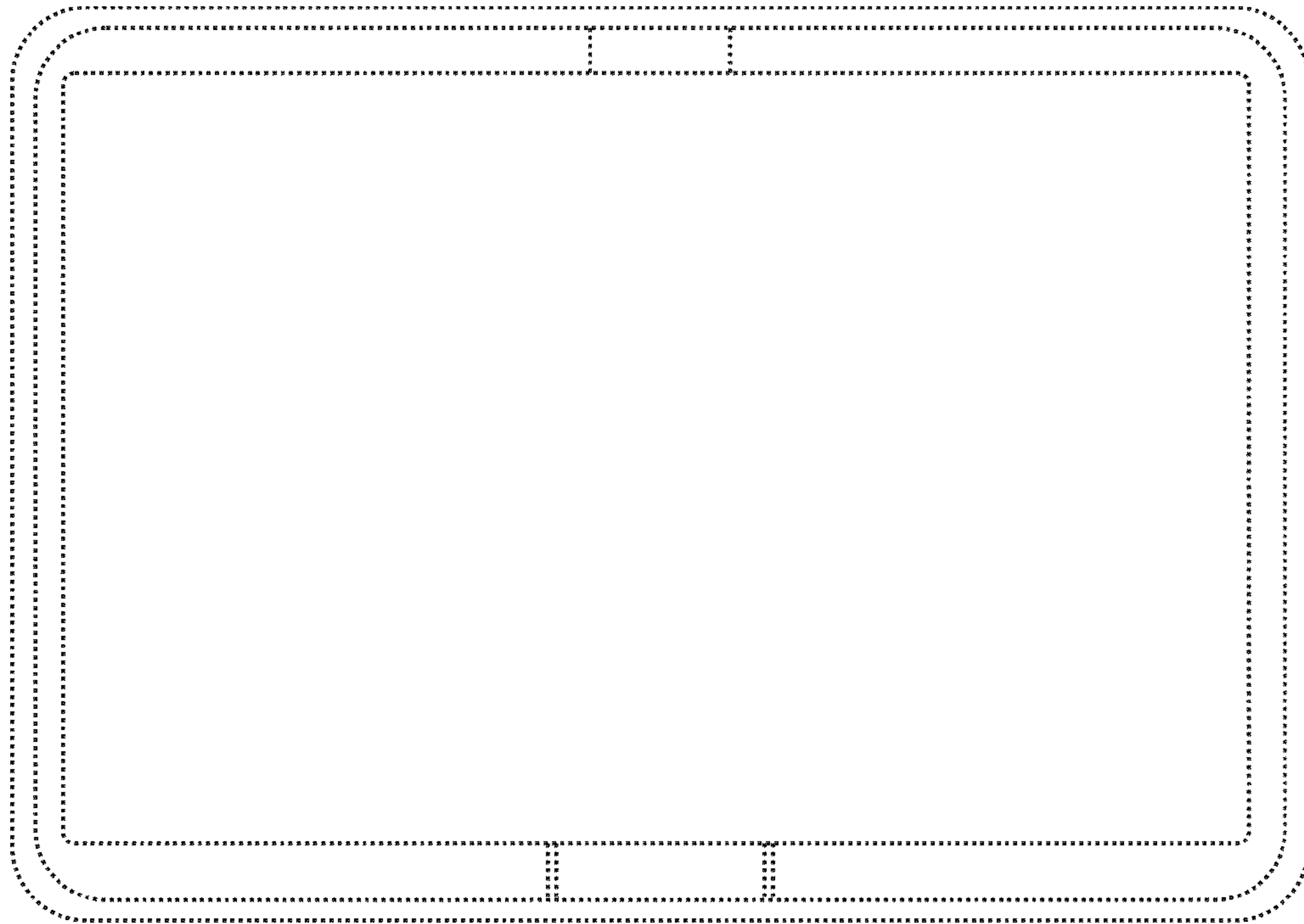


700
FIG. 7

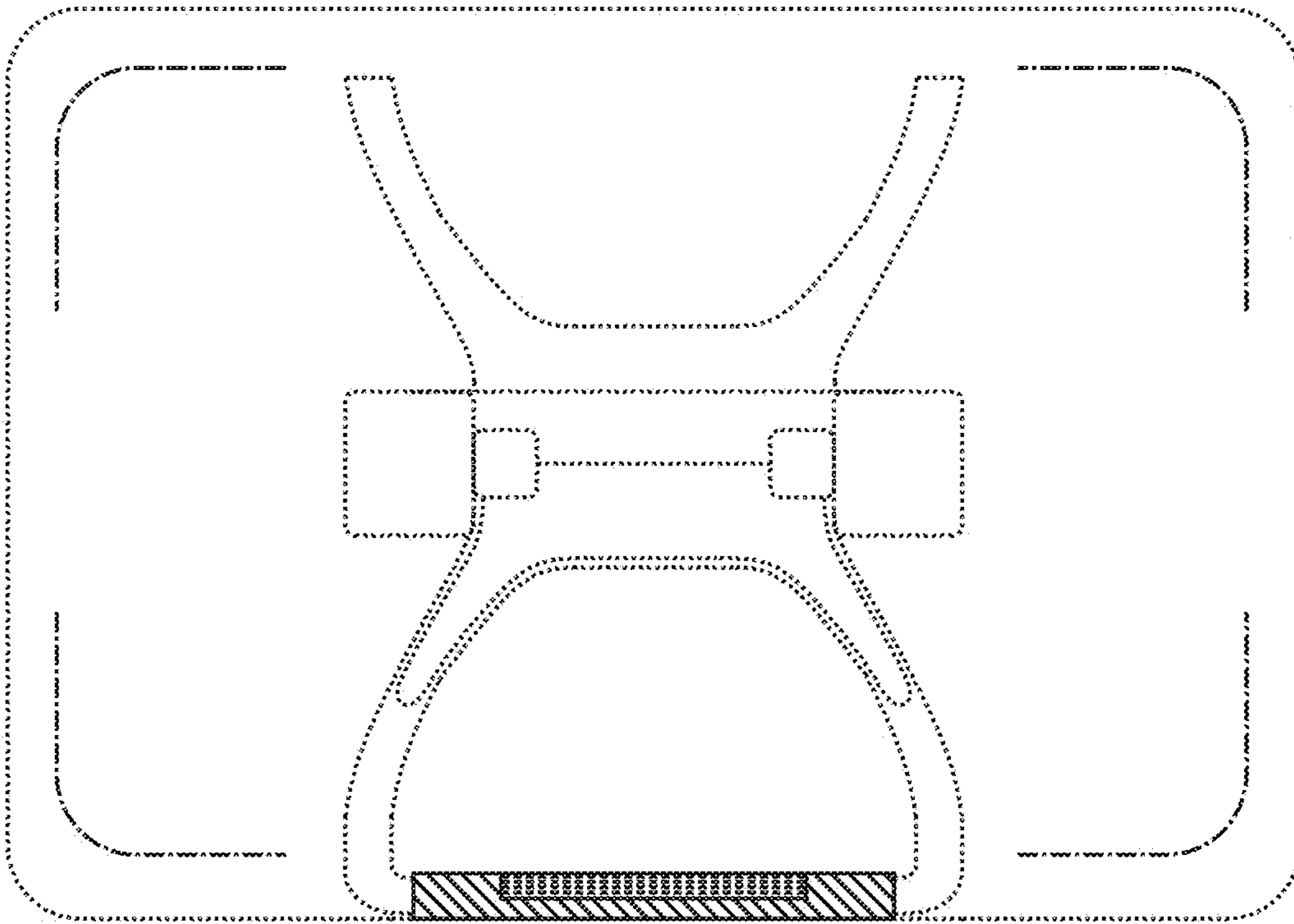


800

FIG. 8

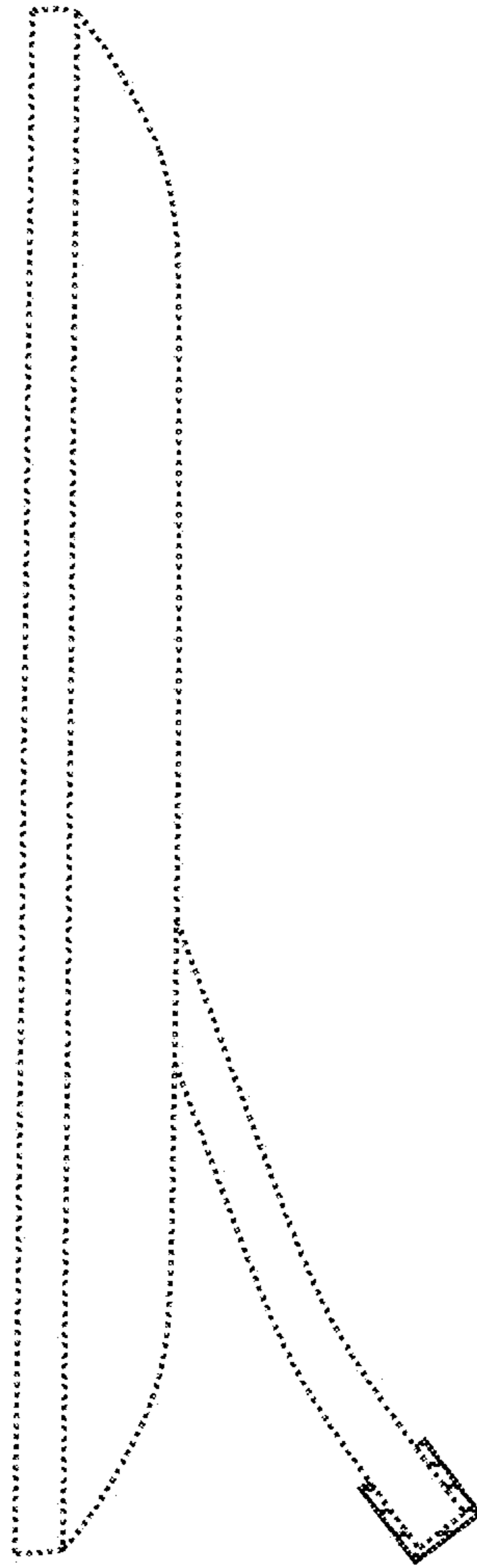


900
FIG. 9



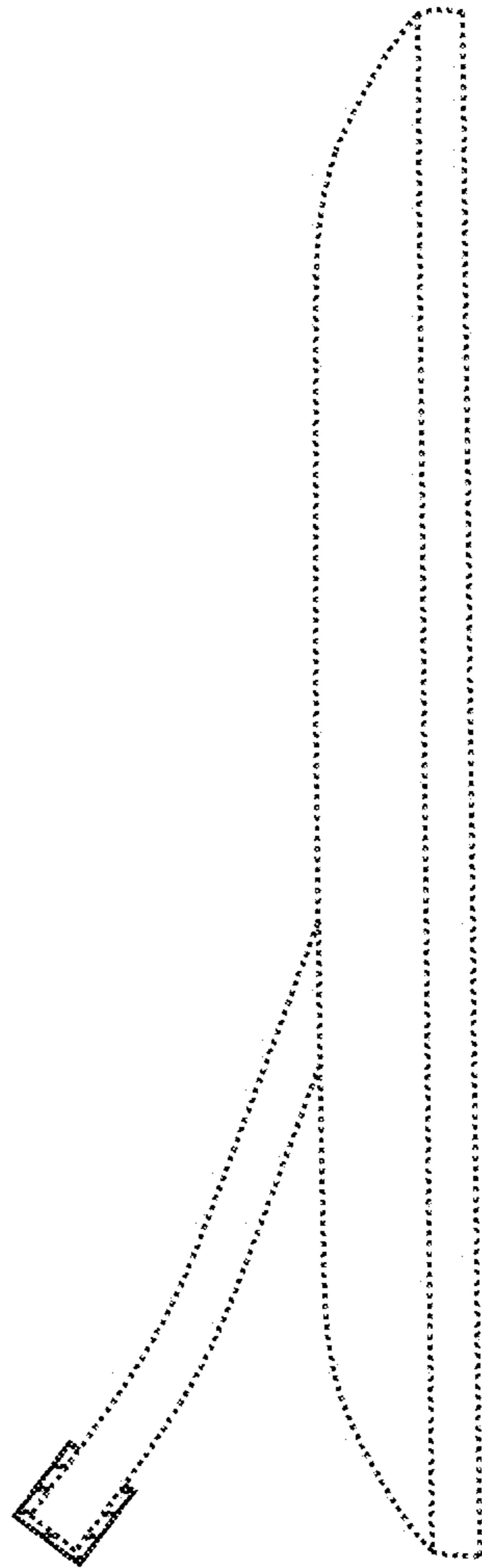
1000

FIG. 10



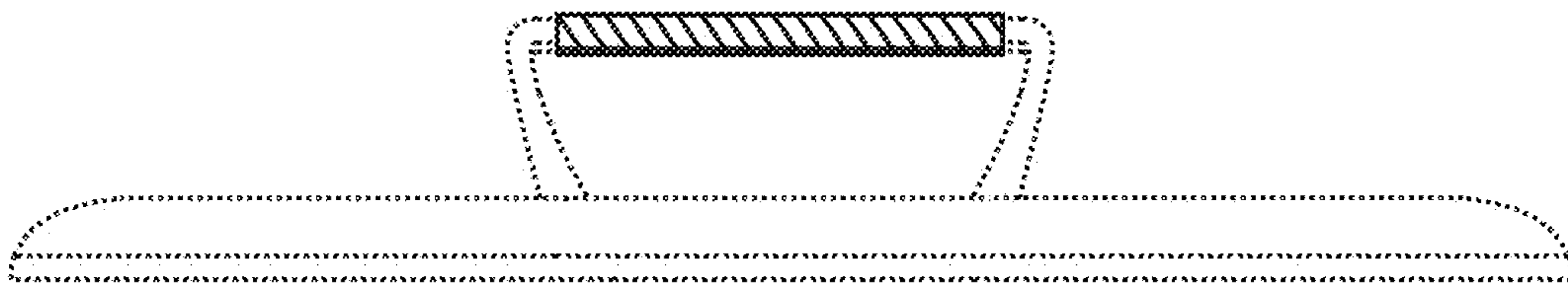
1100

FIG. 11



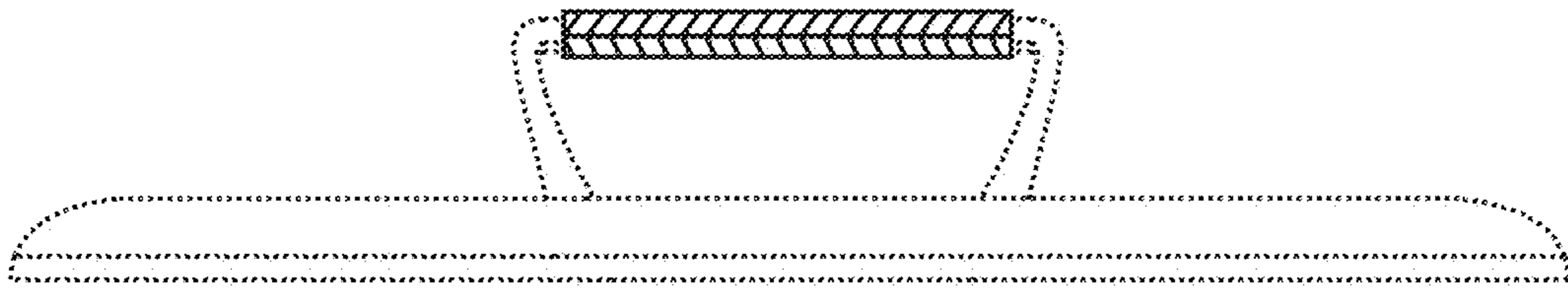
1200

FIG. 12



1300

FIG. 13



1400

FIG. 14