



US00D737823S

(12) **United States Design Patent**
Partridge et al.

(10) **Patent No.:** **US D737,823 S**

(45) **Date of Patent:** **** Sep. 1, 2015**

(54) **BATTERY READER**

(71) Applicant: **Tectonica Australia Pty Ltd**, West Melbourne (AU)

(72) Inventors: **Thomas Miles Partridge**, South Yarra (AU); **Michael Fairweather**, Berwick (AU); **Joshua Michael White**, Hoppers Crossing (AU); **Simon James Coburn**, Seddon (AU)

(73) Assignee: **TECTONICA AUSTRALIA PTY LTD**, West Melbourne (AU)

(**) Term: **14 Years**

(21) Appl. No.: **29/485,884**

(22) Filed: **Mar. 24, 2014**

(30) **Foreign Application Priority Data**

Oct. 8, 2013 (AU) 15118/2013

(51) **LOC (10) Cl.** **14-02**

(52) **U.S. Cl.**
USPC **D14/428**

(58) **Field of Classification Search**
USPC D10/77, 78; D14/426-431
See application file for complete search history.

(56) **References Cited**

U.S. PATENT DOCUMENTS

D470,145	S	*	2/2003	Schlieffers et al.	D14/428
D473,560	S	*	4/2003	Bianco	D14/428
8,517,269	B2	*	8/2013	Meier et al.	235/454
8,690,063	B2	*	4/2014	Wang et al.	235/472.01
2003/0006290	A1	*	1/2003	Hussey et al.	235/472.01
2003/0206150	A1	*	11/2003	Hussey et al.	345/156
2013/0001290	A1	*	1/2013	Trajkovic et al.	235/375

* cited by examiner

Primary Examiner — Antoine D Davis

(74) *Attorney, Agent, or Firm* — Seed IP Law Group PLLC

(57) **CLAIM**

The ornamental design for a battery reader, as shown and described.

DESCRIPTION

FIG. 1 is a left side elevational view of a battery reader showing our new design, the right side elevational view being a mirror image.

FIG. 2 is a rear elevational view thereof.

FIG. 3 is a front elevational view thereof.

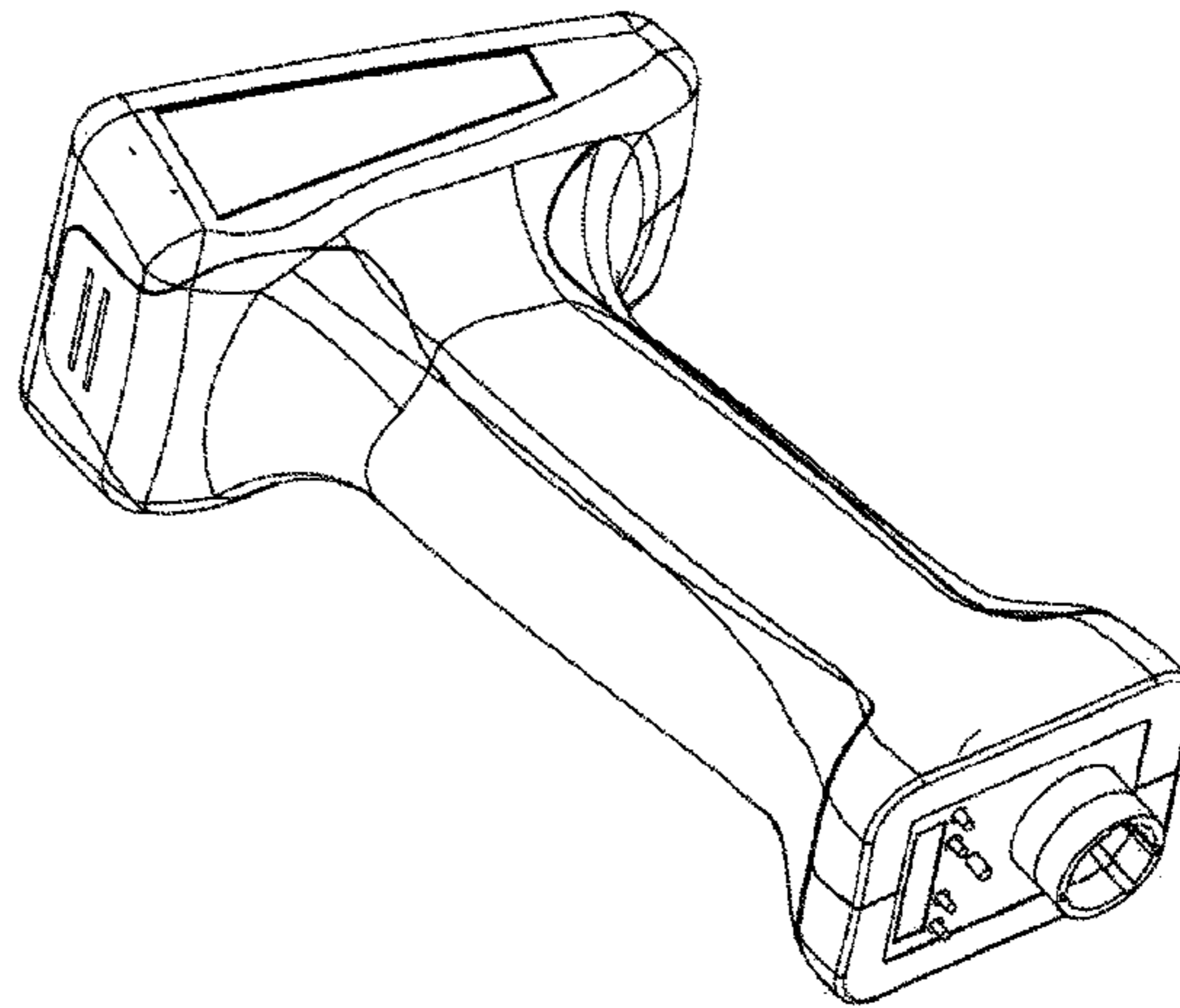
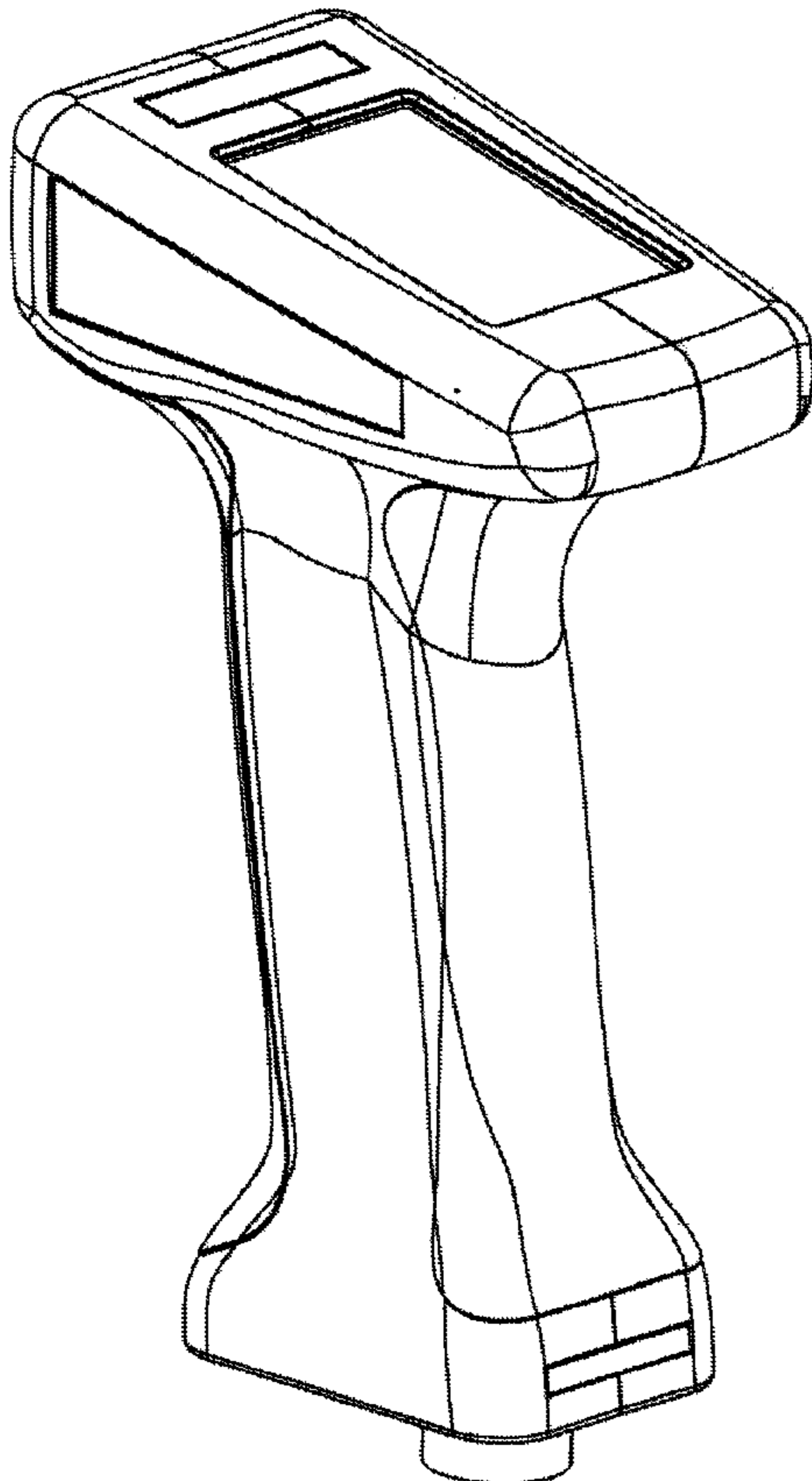
FIG. 4 is a rear perspective view thereof.

FIG. 5 is a top plan view thereof.

FIG. 6 is a bottom plan view thereof; and,

FIG. 7 is a front perspective view thereof.

1 Claim, 6 Drawing Sheets



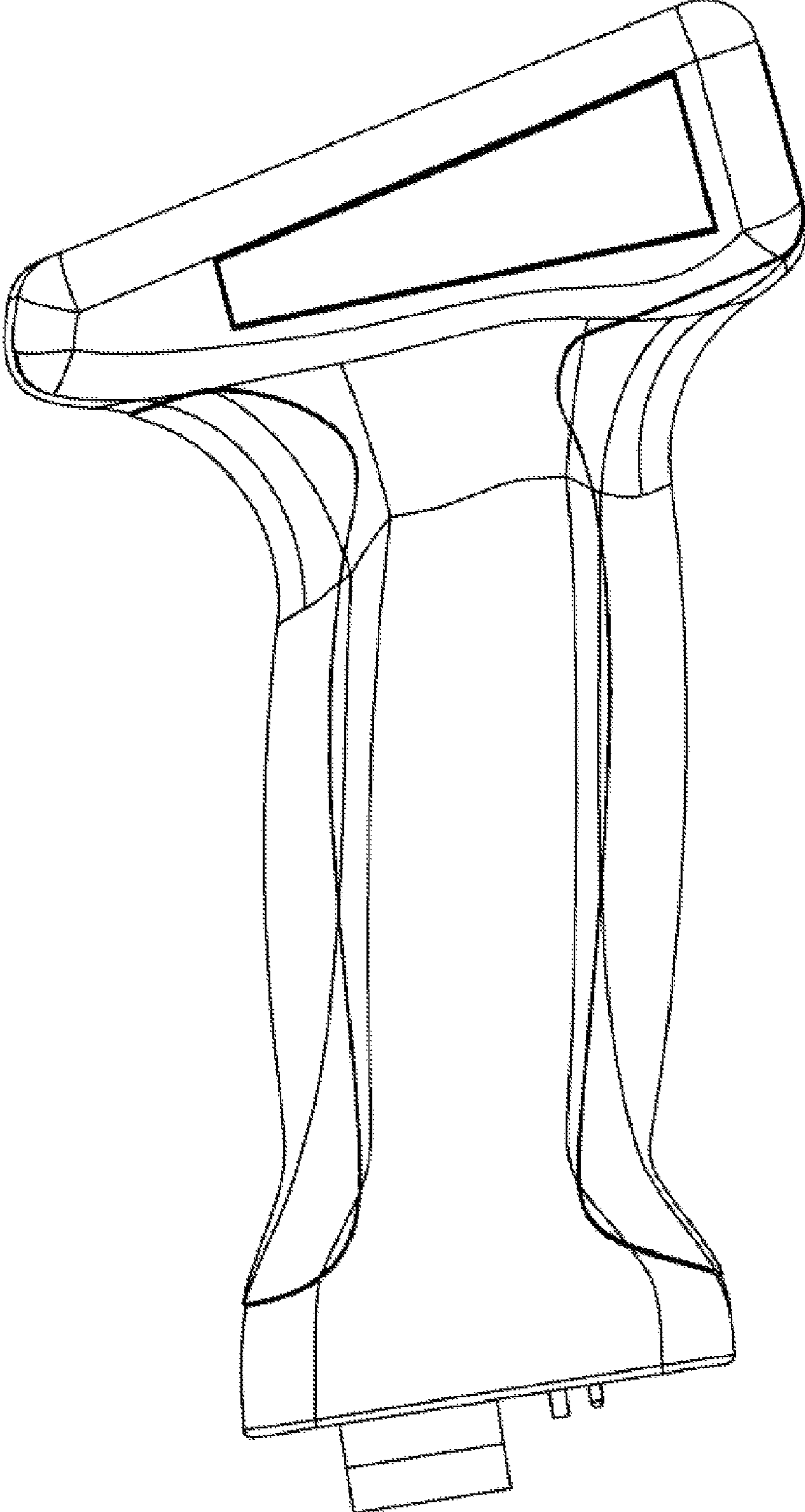


FIGURE 1

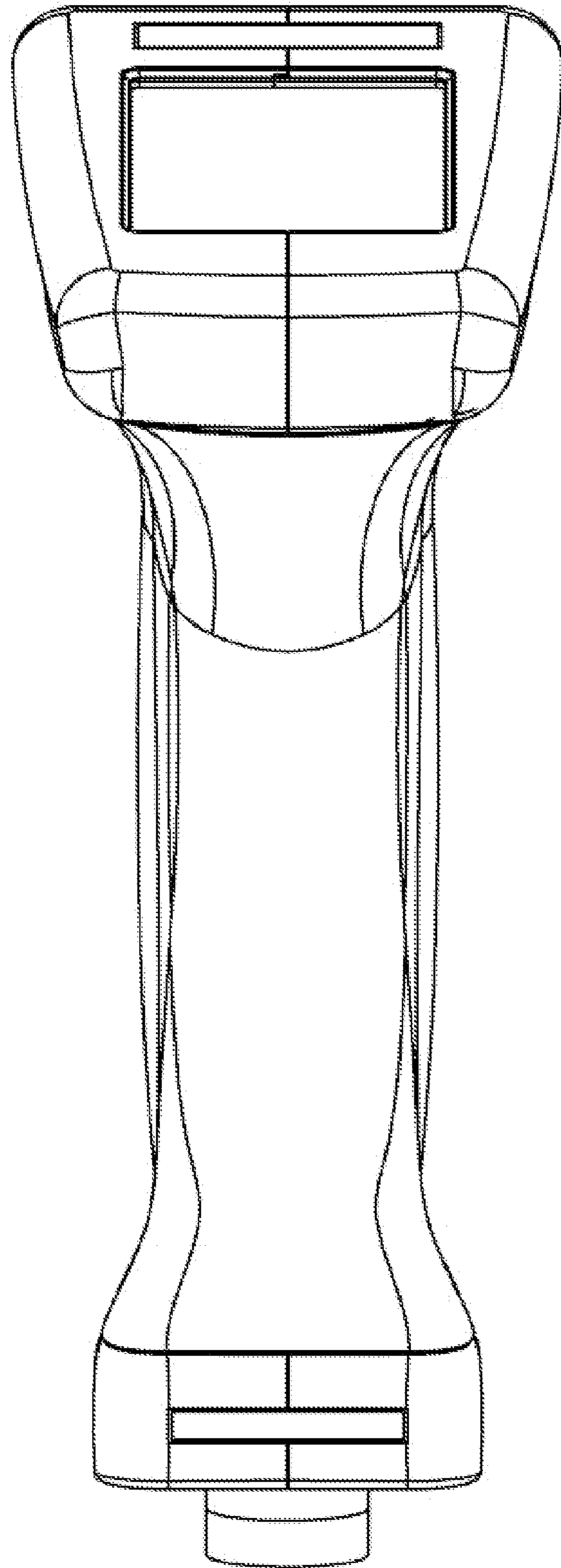


FIGURE 2

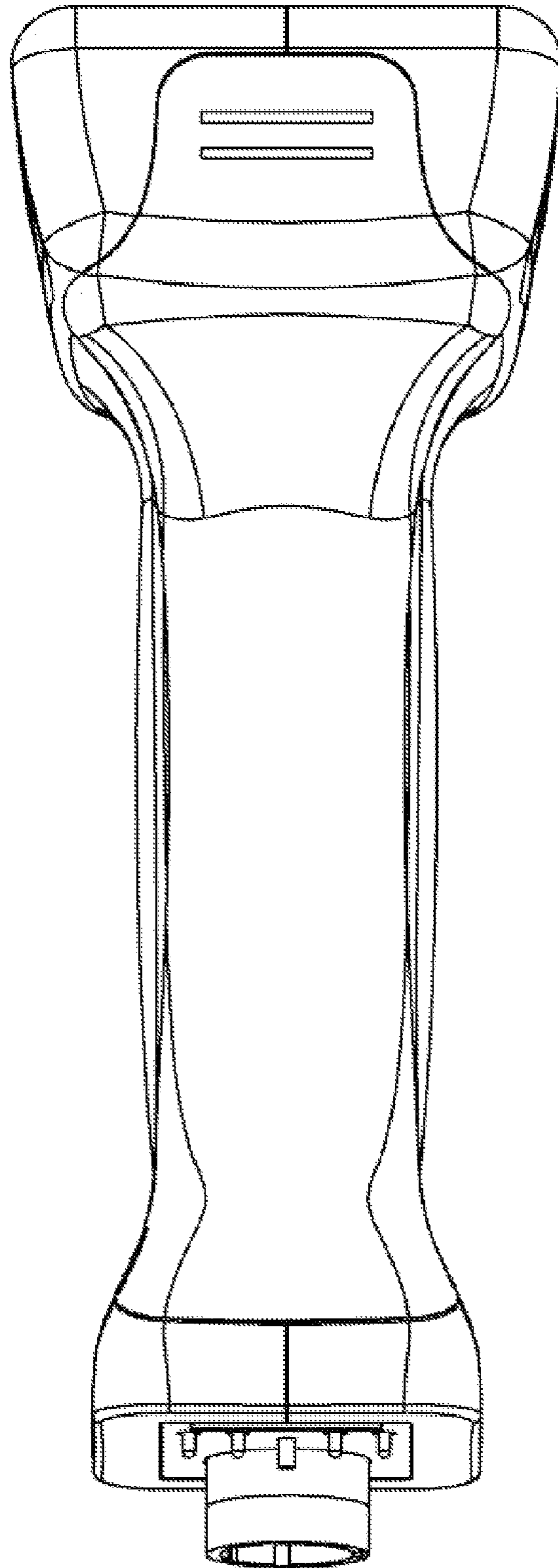


FIGURE 3

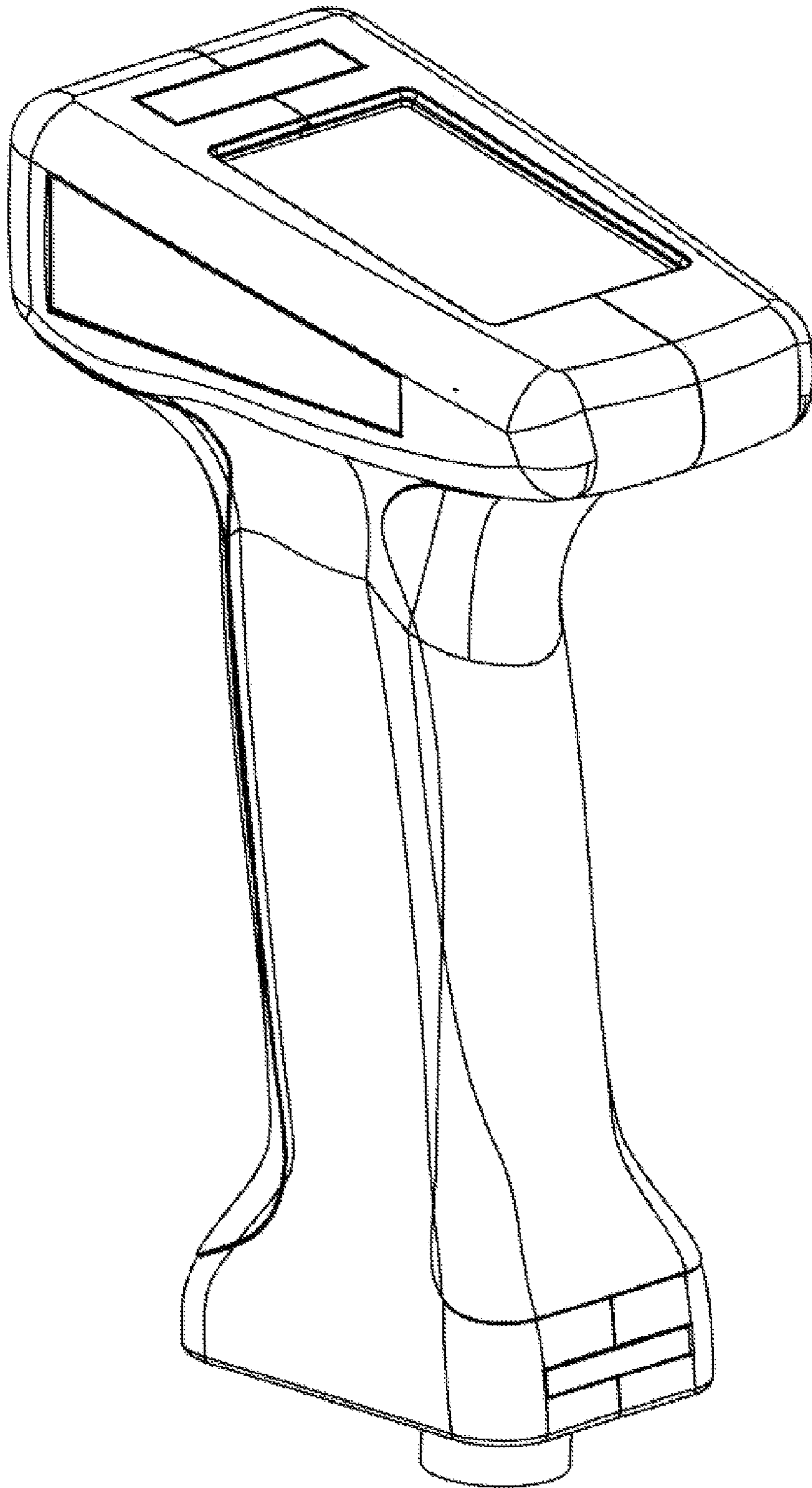


FIGURE 4

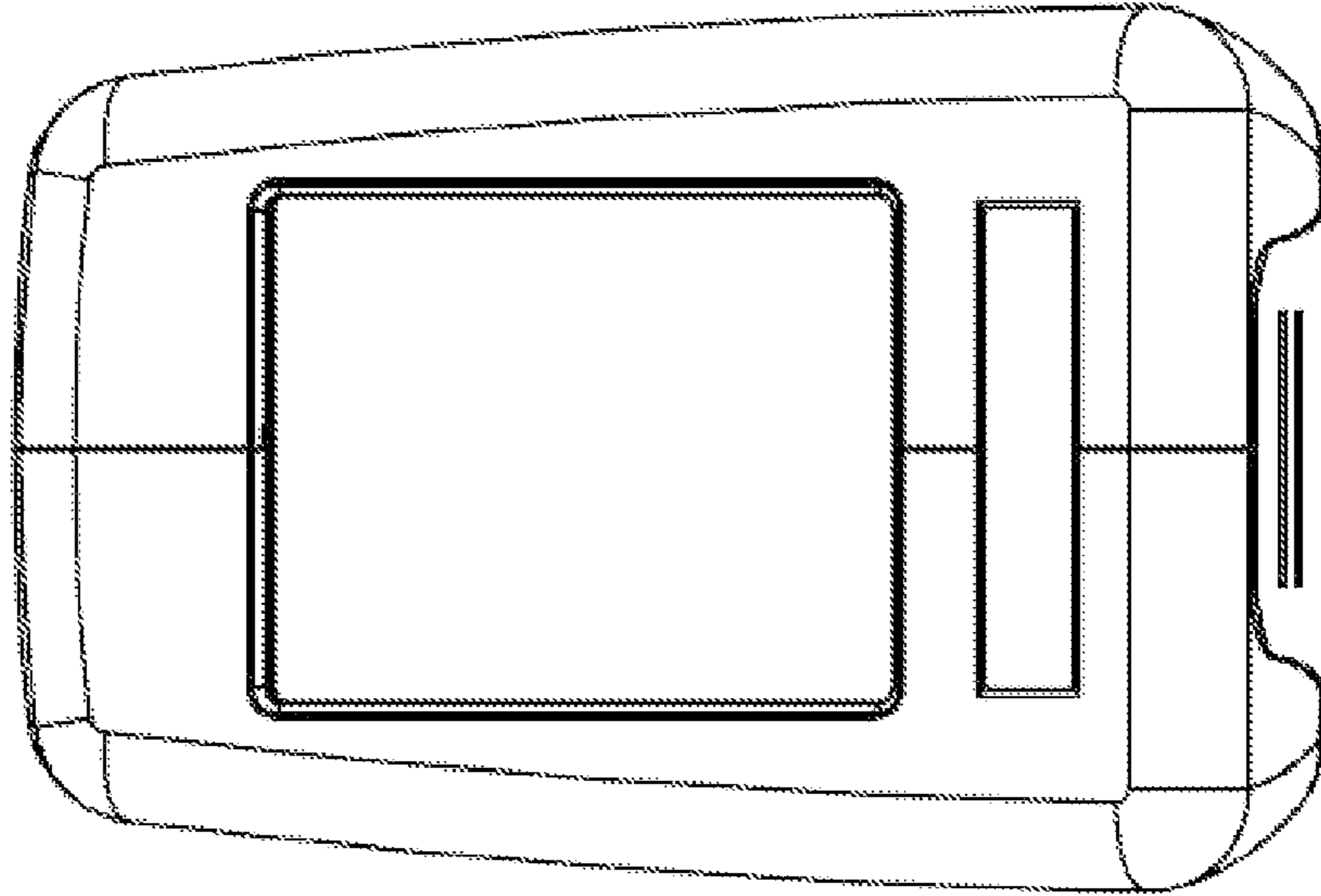


FIGURE 5

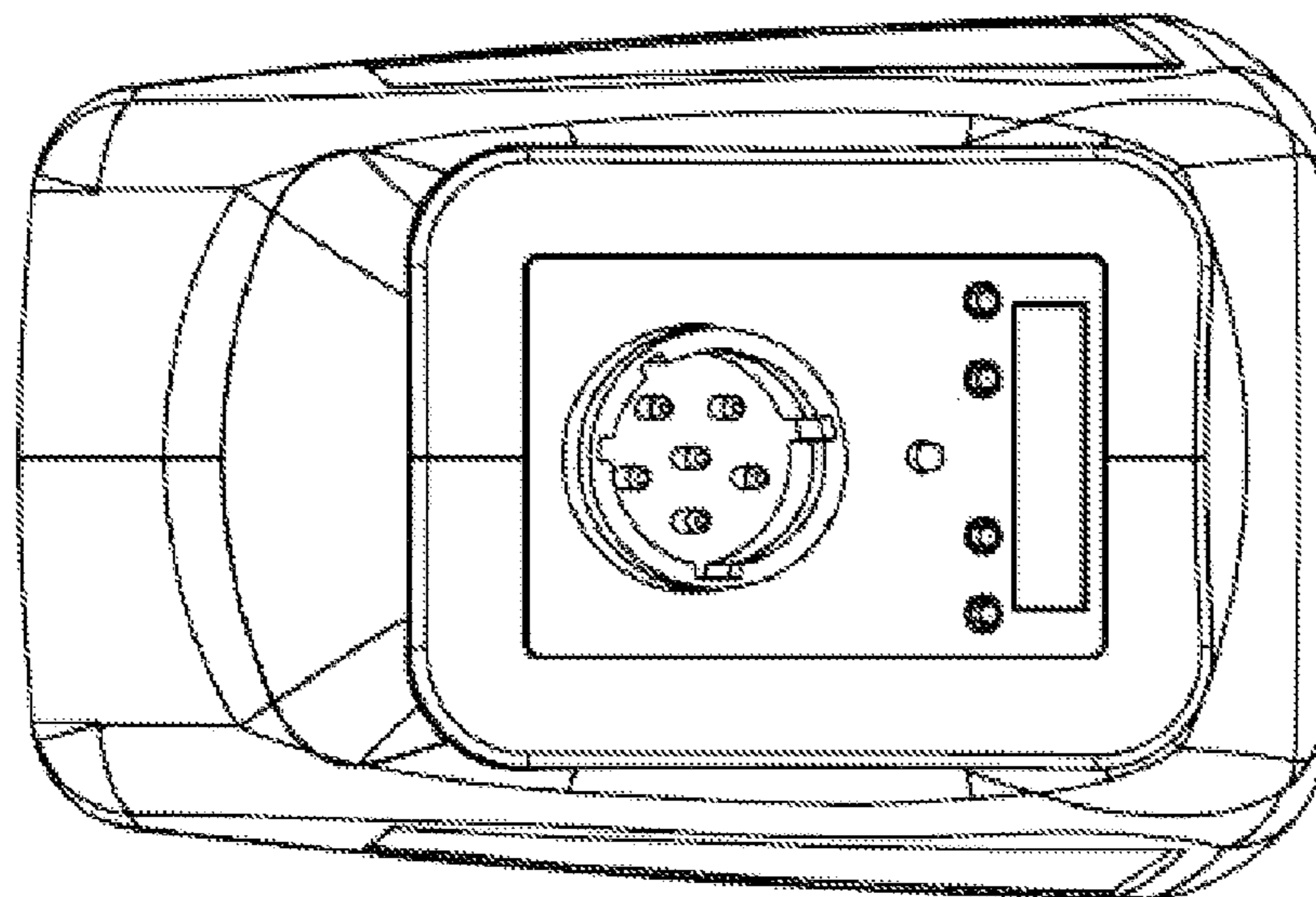


FIGURE 6

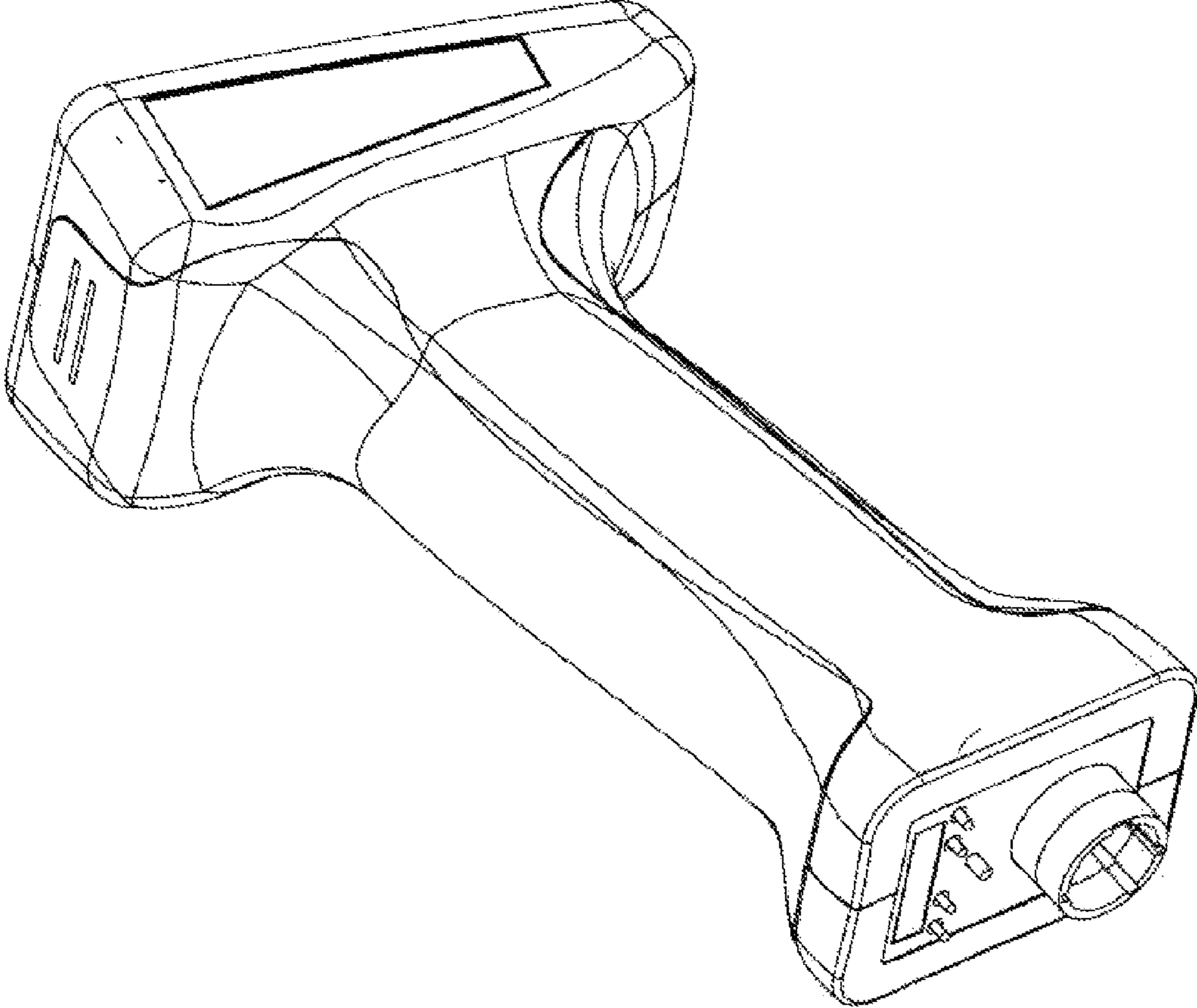


FIGURE 7