



US00D737820S

(12) **United States Design Patent**  
**Yu et al.**

(10) **Patent No.:** **US D737,820 S**  
(45) **Date of Patent:** **\*\* Sep. 1, 2015**

(54) **NETWORK STORAGE DEVICE**  
(71) Applicant: **WALTON ADVANCED ENGINEERING INC.,** Kaohsiung (TW)  
(72) Inventors: **Hong-Chi Yu,** Kaohsiung (TW); **Mao-Ting Chang,** Kaohsiung (TW)  
(73) Assignee: **WALTON ADVANCED ENGINEERING INC.,** Kaohsiung (TW)  
(\*\*) Term: **14 Years**  
(21) Appl. No.: **29/486,558**  
(22) Filed: **Mar. 31, 2014**

(30) **Foreign Application Priority Data**  
Nov. 8, 2013 (TW) ..... 102307269  
(51) **LOC (10) Cl.** ..... **14-02**  
(52) **U.S. Cl.**  
USPC ..... **D14/365**  
(58) **Field of Classification Search**  
USPC ..... D14/300-302, 314, 348-370, 383-385, D14/435, 496, 125, 135, 155, 240-242, D14/299; D3/273; D9/432, 434; D10/65, D10/75, 78; D13/103, 119, 162, 184, 199  
CPC .. G11B 33/027; G11B 33/122; G11B 33/124; G11B 33/02; G11B 33/025  
See application file for complete search history.

(56) **References Cited**  
**U.S. PATENT DOCUMENTS**  
D183,516 S \* 9/1958 Hagan ..... D9/432  
D244,993 S \* 7/1977 Drysdale ..... D9/432  
D394,386 S \* 5/1998 Fischer ..... D9/432

5,852,546 A \* 12/1998 Radloff et al. .... 361/679.39  
D436,032 S \* 1/2001 Croft et al. .... D9/416  
D436,033 S \* 1/2001 Croft et al. .... D9/541  
D460,355 S \* 7/2002 Lenz et al. .... D9/431  
D476,002 S \* 6/2003 Fui et al. .... D14/356  
D495,701 S \* 9/2004 Murakami et al. .... D14/356  
D520,998 S \* 5/2006 Sanefuji ..... D14/356  
D587,267 S \* 2/2009 Wang ..... D14/356  
D595,292 S \* 6/2009 Harden et al. .... D14/356  
D595,293 S \* 6/2009 Harden et al. .... D14/356  
D625,719 S \* 10/2010 Carroll et al. .... D14/356  
D630,632 S \* 1/2011 Puls et al. .... D14/356  
D652,316 S \* 1/2012 Ren et al. .... D9/600  
D661,698 S \* 6/2012 Chaturvedi et al. .... D14/358  
D671,534 S \* 11/2012 Huang ..... D14/242  
D676,742 S \* 2/2013 Walter et al. .... D9/434  
D691,471 S \* 10/2013 Walter et al. .... D9/434  
D697,789 S \* 1/2014 Gerdes et al. .... D9/417  
D719,939 S \* 12/2014 Liang et al. .... D14/240  
D728,364 S \* 5/2015 Baker et al. .... D9/432  
D730,893 S \* 6/2015 Yin et al. .... D14/358  
2012/0050978 A1 \* 3/2012 Lai ..... 361/679.33

\* cited by examiner

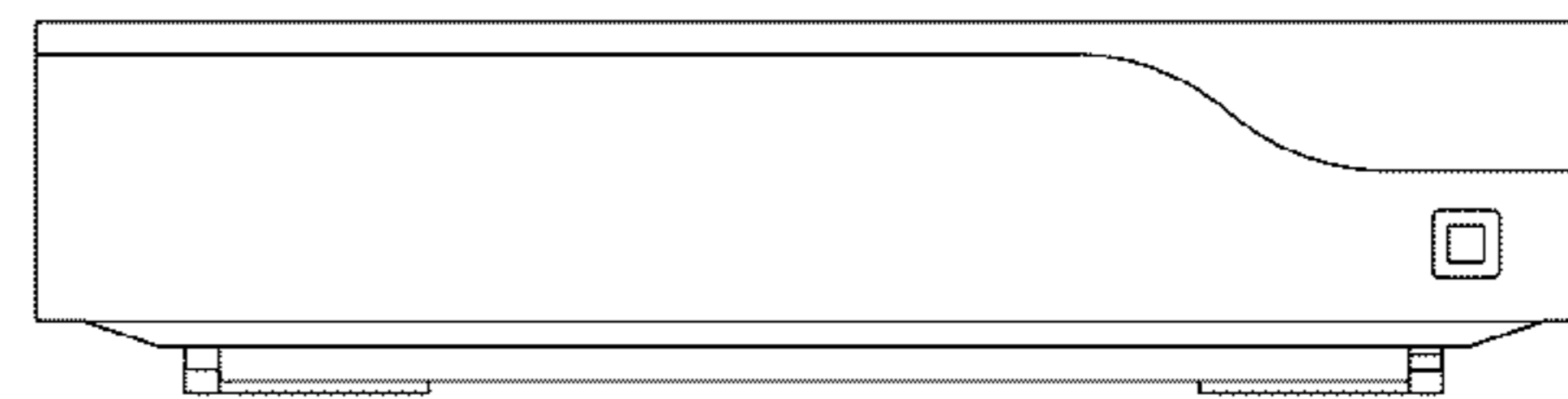
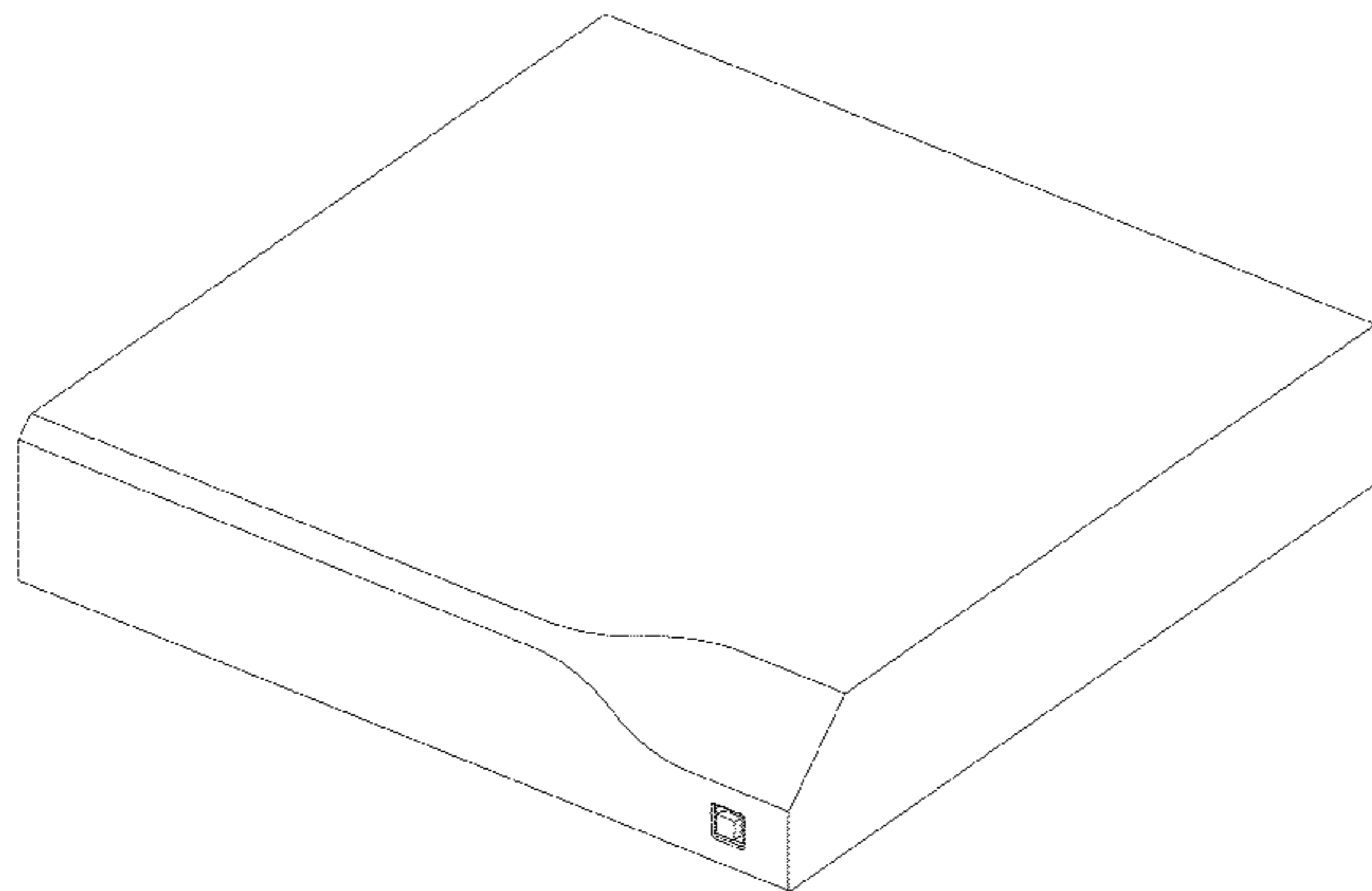
*Primary Examiner* — Karen E Kearney  
*Assistant Examiner* — Nathaniel D Buckner  
(74) *Attorney, Agent, or Firm* — Bacon & Thomas, PLLC

(57) **CLAIM**  
The ornamental design for a network storage device, as shown.

**DESCRIPTION**

FIG. 1 is a perspective view of a network storage device showing my new design;  
FIG. 2 is a front elevation view thereof;  
FIG. 3 is a rear elevation view thereof;  
FIG. 4 is a top plan view thereof;  
FIG. 5 is a bottom elevation view thereof;  
FIG. 6 is a left side elevation view thereof; and,  
FIG. 7 is a right side elevation view thereof.

**1 Claim, 5 Drawing Sheets**



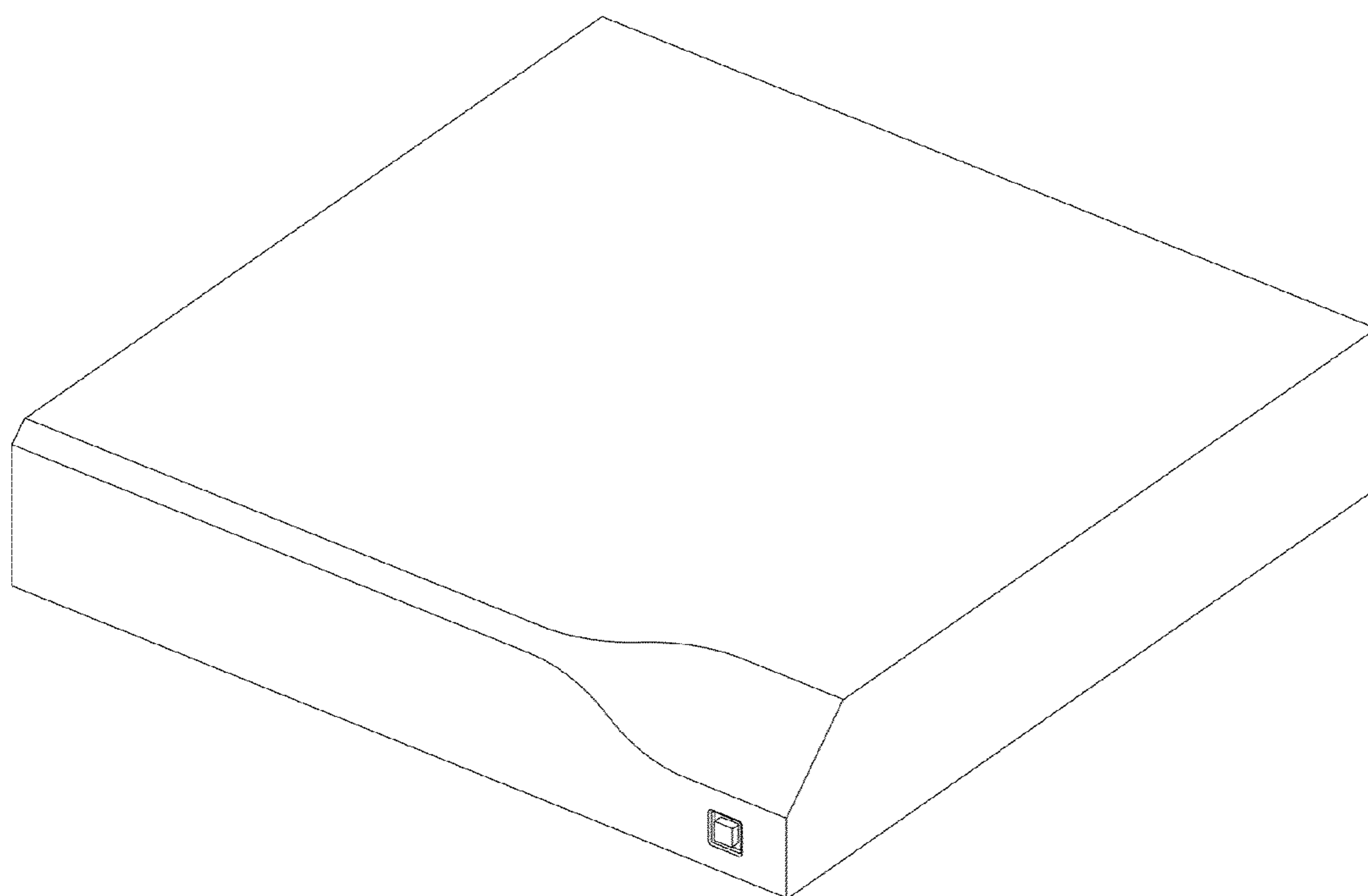


Fig. 1

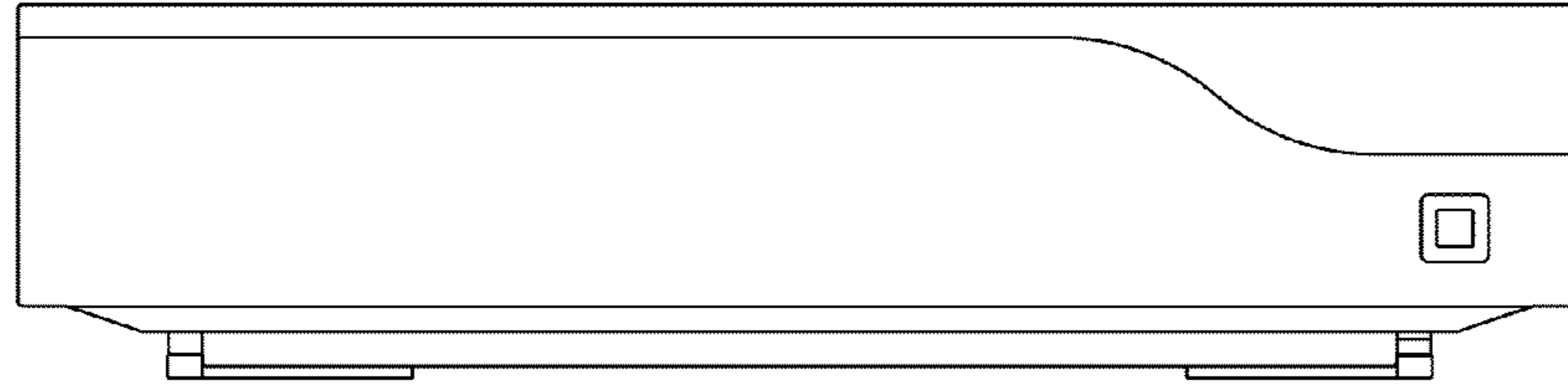


Fig. 2

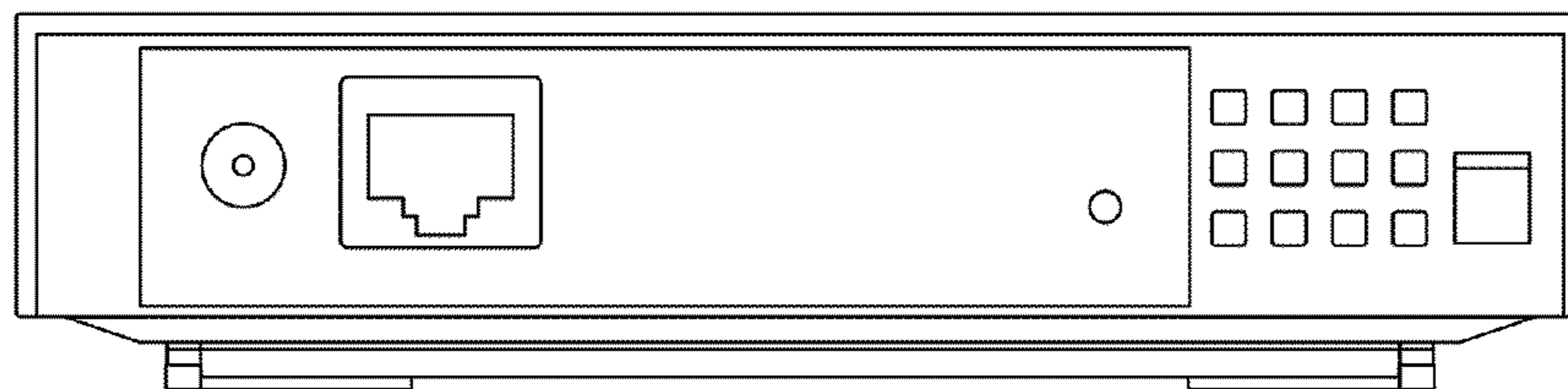


Fig. 3

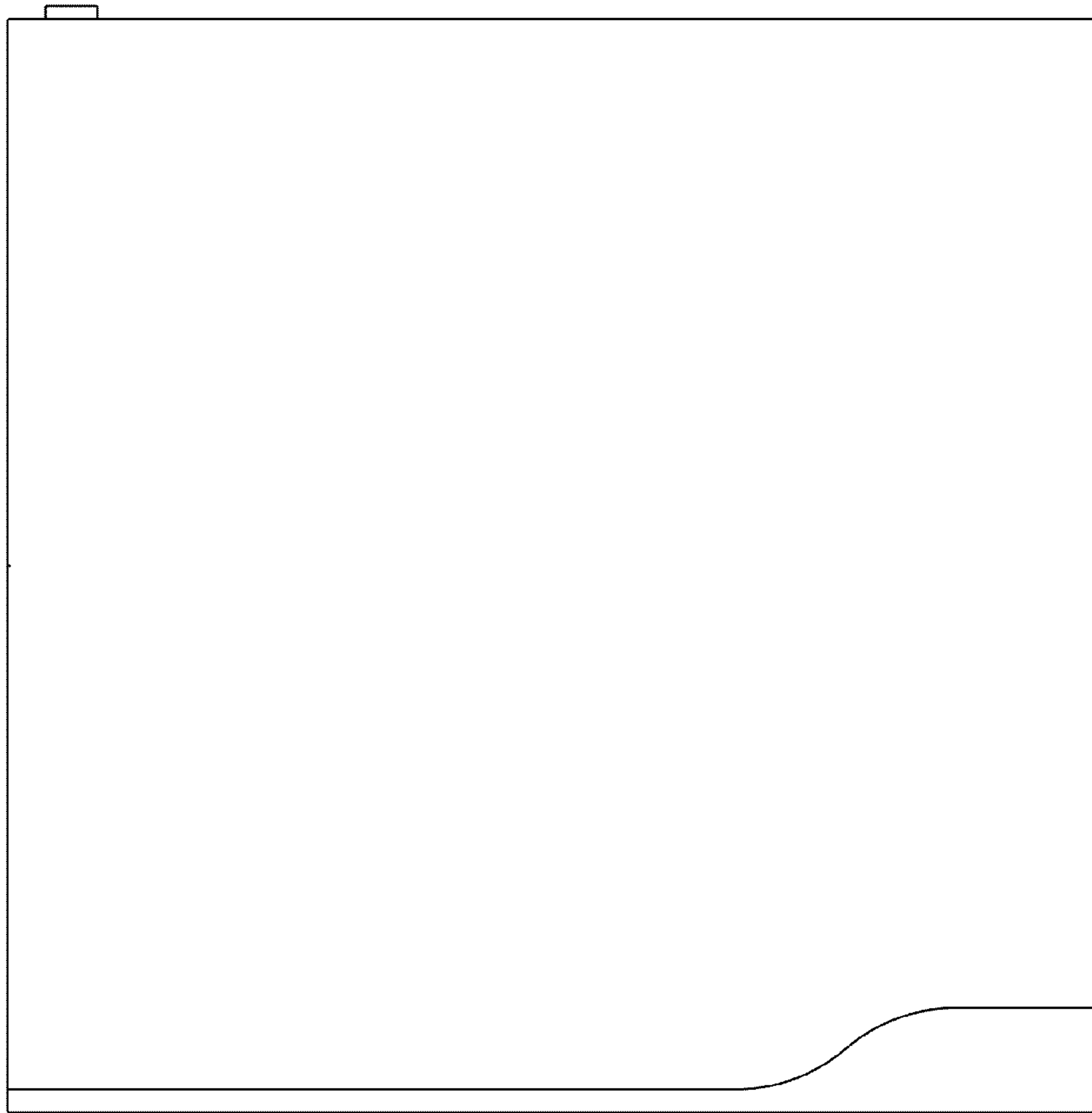


Fig. 4

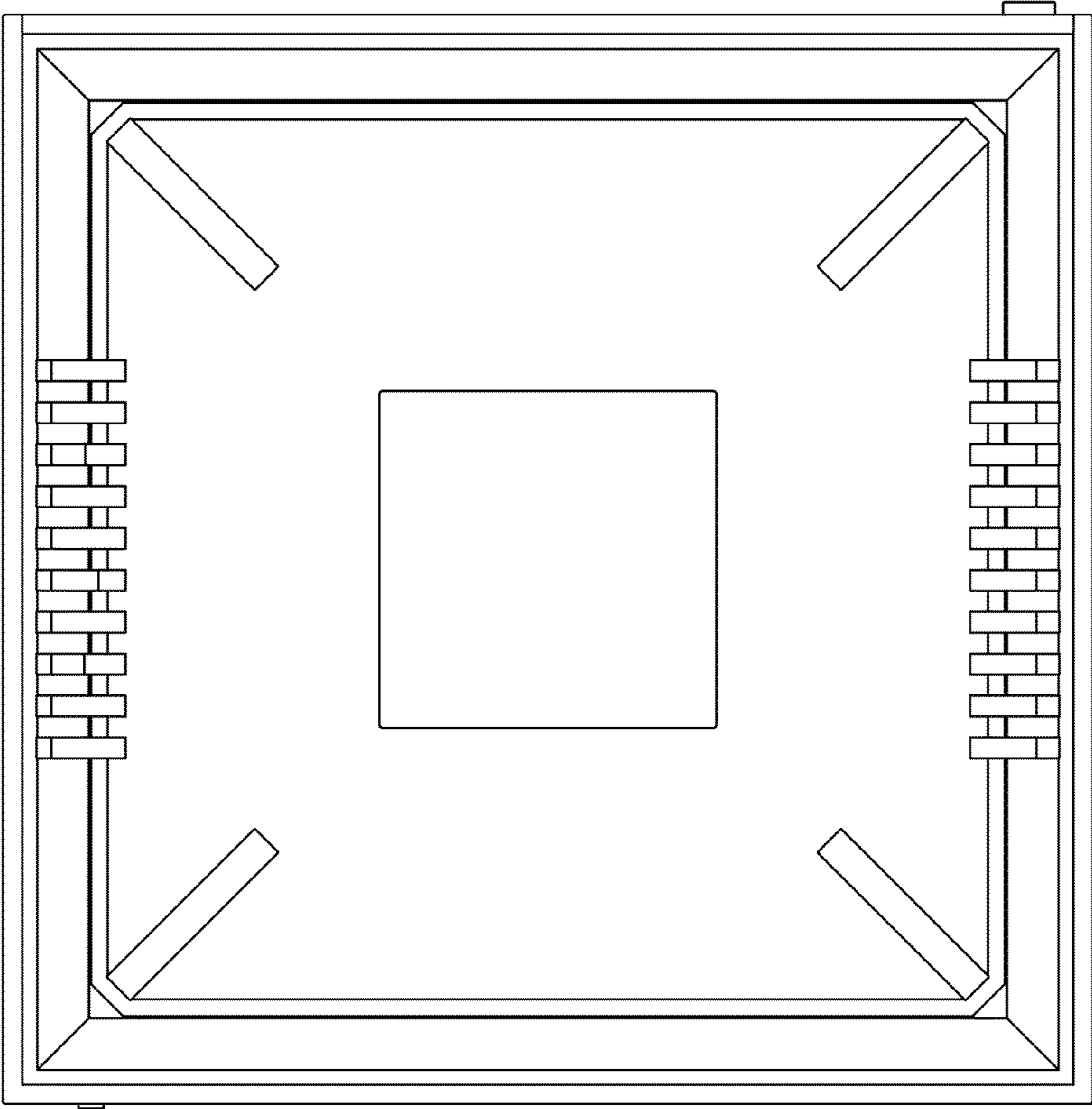


Fig. 5

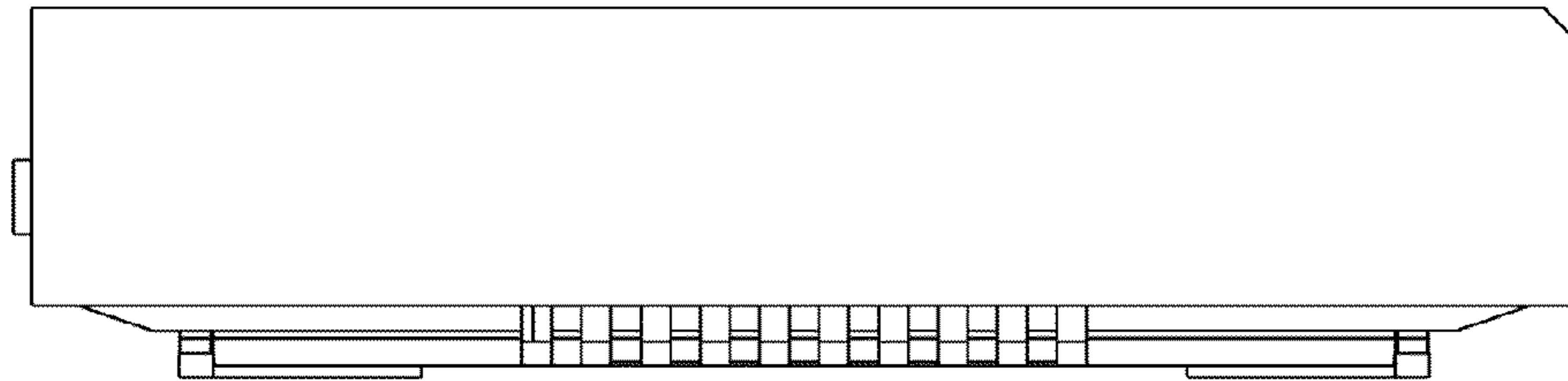


Fig. 6

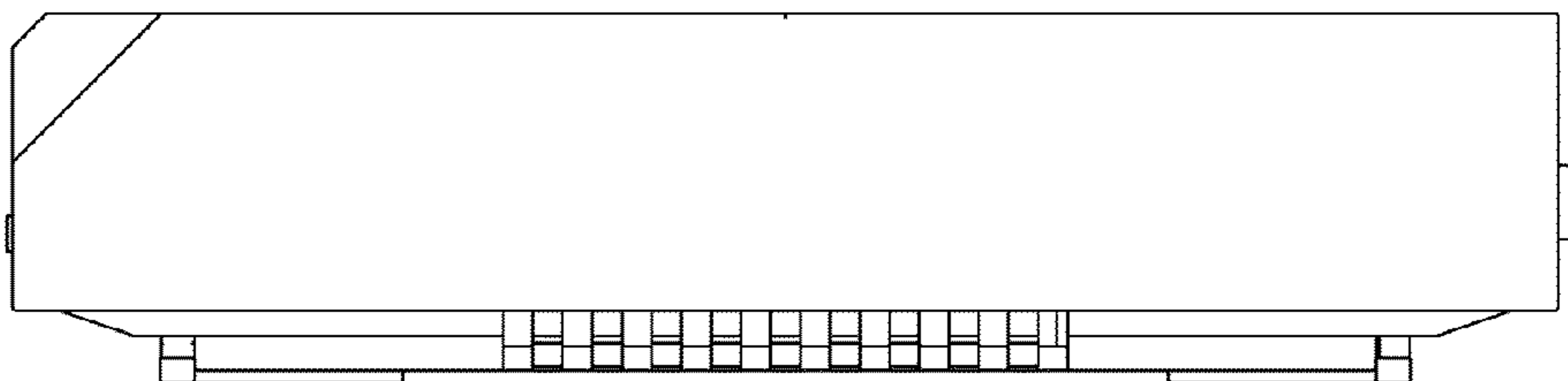


Fig. 7