



US00D737817S

(12) **United States Design Patent**
Starck

(10) **Patent No.:** **US D737,817 S**

(45) **Date of Patent:** **** Sep. 1, 2015**

(54) **EXTERNAL DRIVE**

(71) Applicant: **LaCie, S.A.**, Paris (FR)

(72) Inventor: **Philippe Starck**, Paris (FR)

(73) Assignee: **LaCie, S.A.**, Paris (FR)

(**) Term: **14 Years**

(21) Appl. No.: **29/455,353**

(22) Filed: **May 20, 2013**

(51) **LOC (10) Cl.** **14-02**

(52) **U.S. Cl.**
USPC **D14/365**

(58) **Field of Classification Search**

USPC D14/300–302, 314, 348–370, 383–385,
D14/435, 496, 125, 135, 155, 240–242,
D14/299; D3/273; D9/432; D10/65, 75, 78;
D13/103, 119, 162, 184, 199
CPC ... G11B 33/027; G11B 33/122; G11B 33/124
See application file for complete search history.

(56) **References Cited**

U.S. PATENT DOCUMENTS

D238,581 S *	1/1976	Lehmann	D13/184
D307,274 S *	4/1990	Sasaki et al.	D14/243
D566,065 S *	4/2008	Whittaker et al.	D14/125
D585,439 S *	1/2009	Ching et al.	D14/300

OTHER PUBLICATIONS

“Philippe Starck: Limited edition blade runner hard drive for LaCie”,
[online] Jan. 7, 2013 [retrieved on Jan. 30, 2015]. Retrieved from the
Internet <URL: <http://www.designboom.com/technology/philippe-starck-blade-runner-limited-edition-hard-drive-for-lacie/>>.*

* cited by examiner

Primary Examiner — Karen E Kearney

(74) *Attorney, Agent, or Firm* — Mueting, Raasch & Gebhardt, P.A.

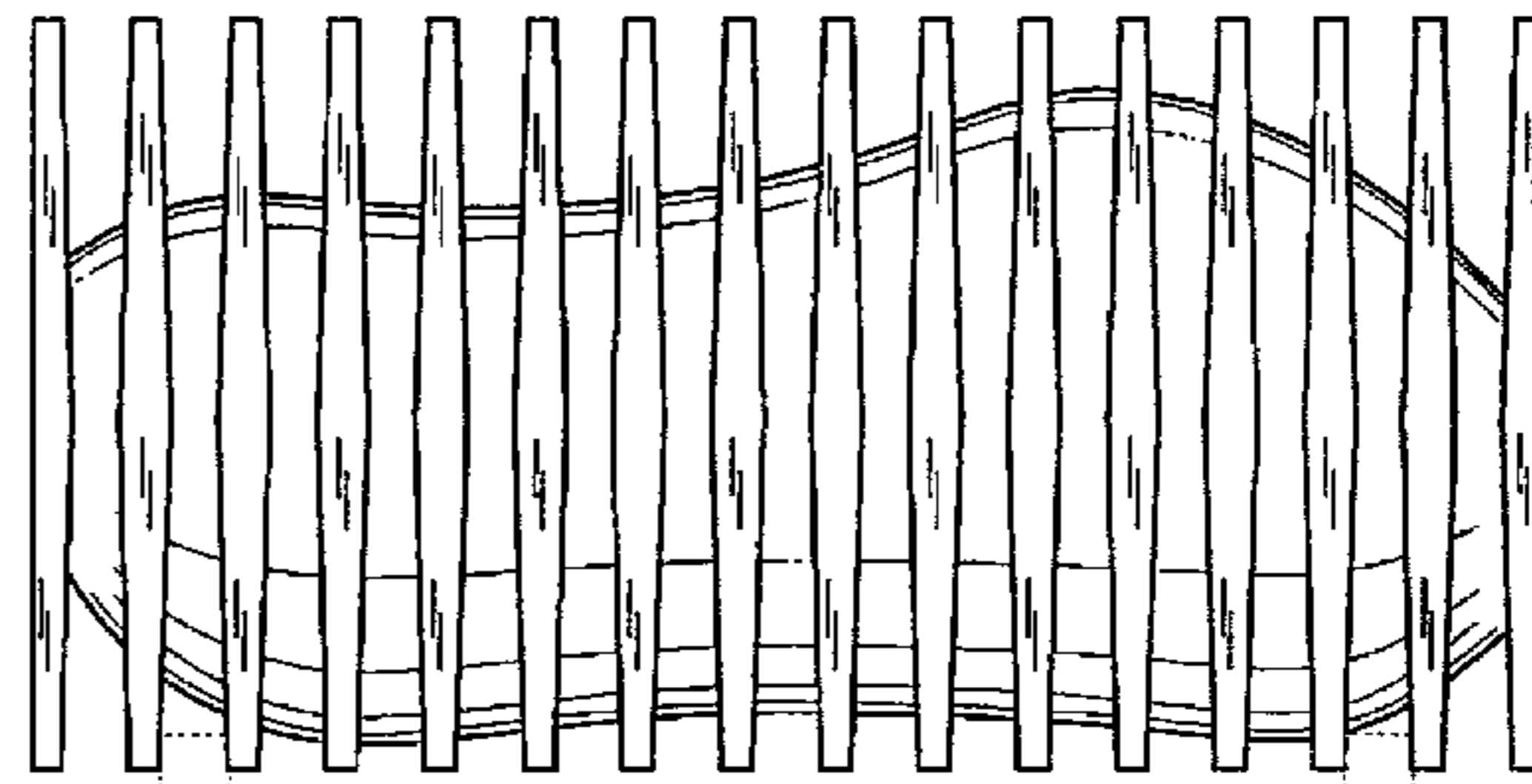
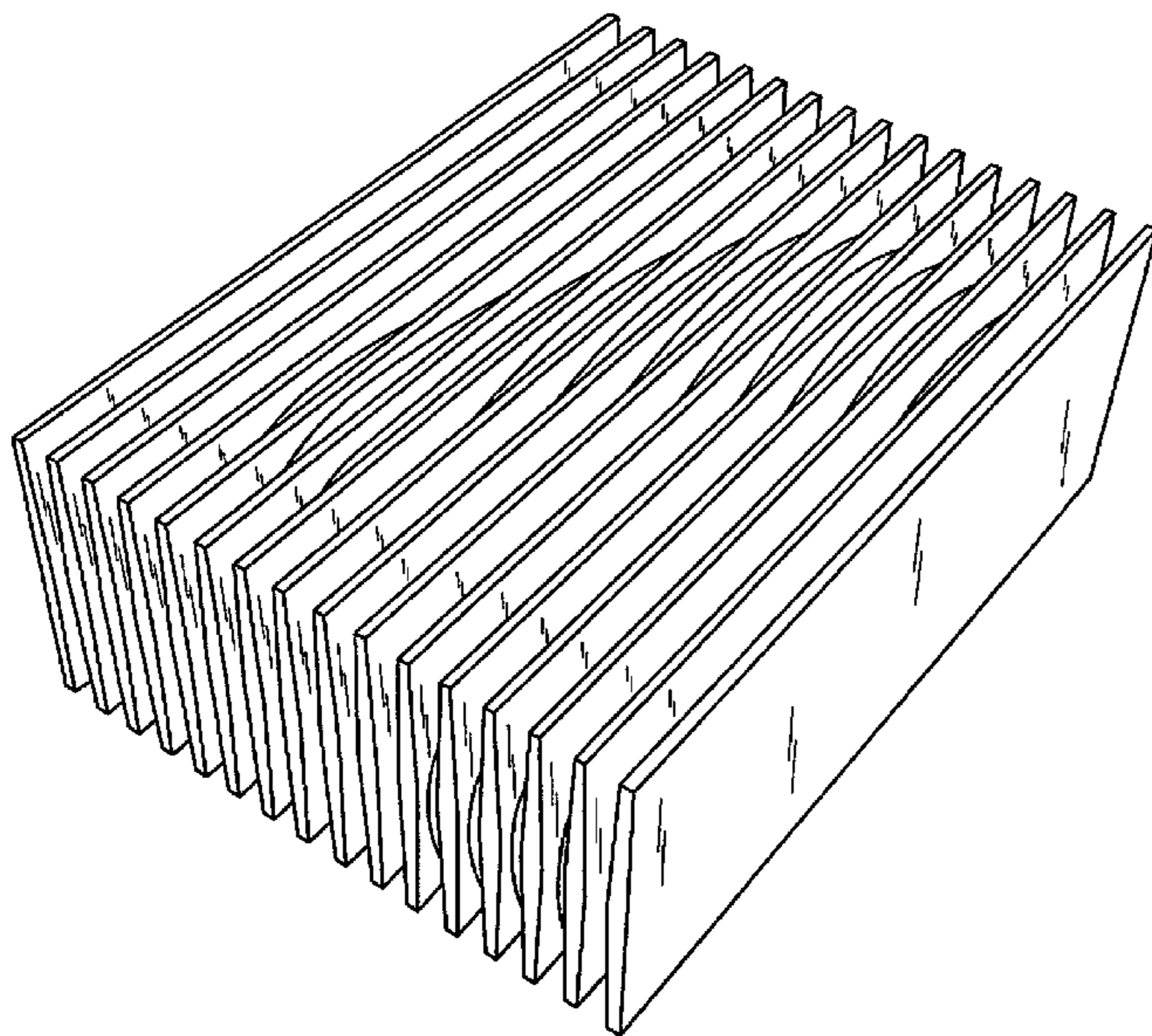
(57) **CLAIM**

The ornamental design for an external drive, as shown and described.

DESCRIPTION

FIG. 1 is a front perspective view of an external drive showing my new design;
FIG. 2 is a front view thereof, the rear view being identical thereto;
FIG. 3 is a right side view thereof;
FIG. 4 is a left side view thereof;
FIG. 5 is a top view thereof; and,
FIG. 6 is a bottom side view thereof.
The broken lines showing are included for the purpose of illustrating portions of the external drive and form no part of the claimed design.

1 Claim, 6 Drawing Sheets



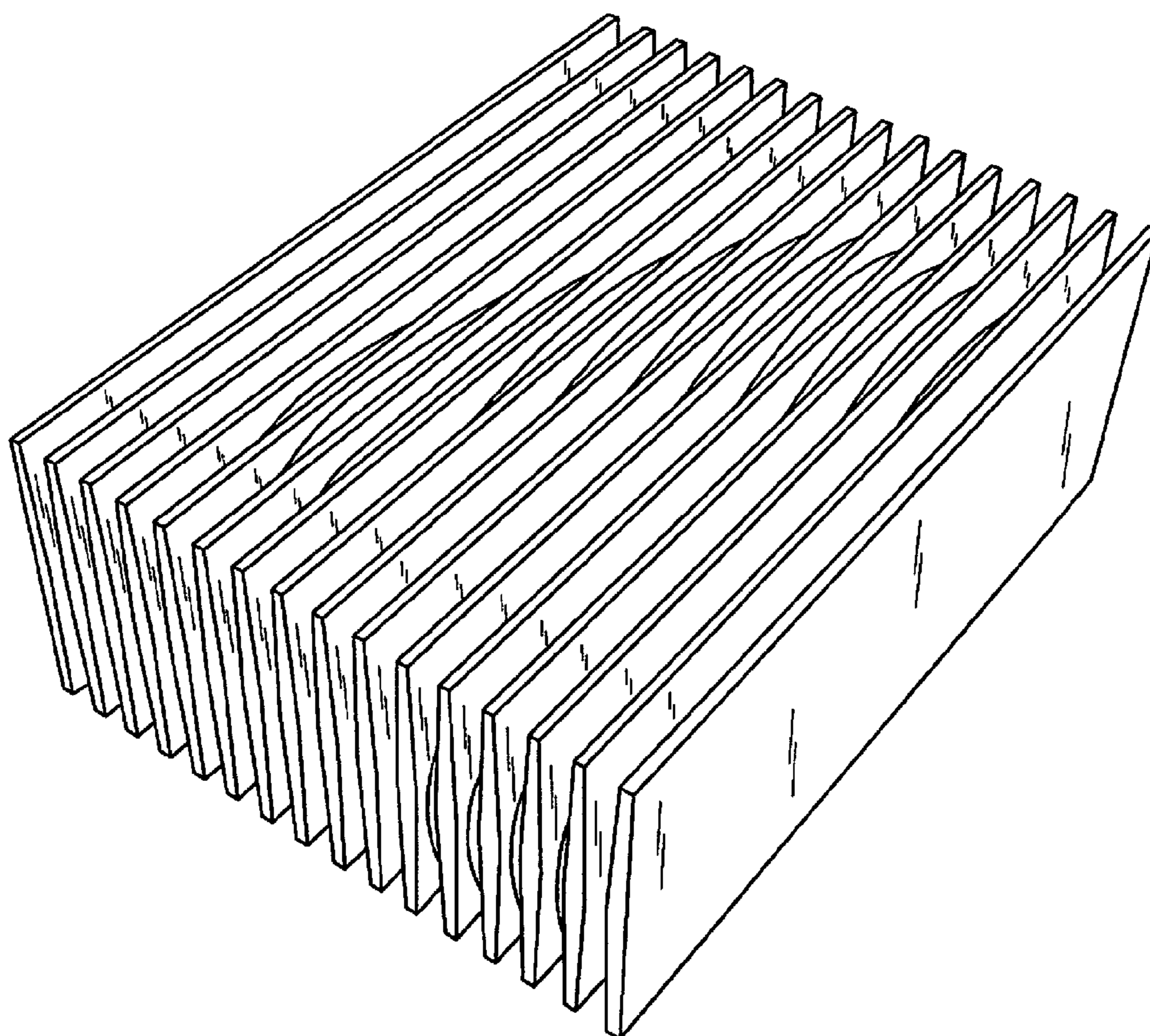


Fig. 1

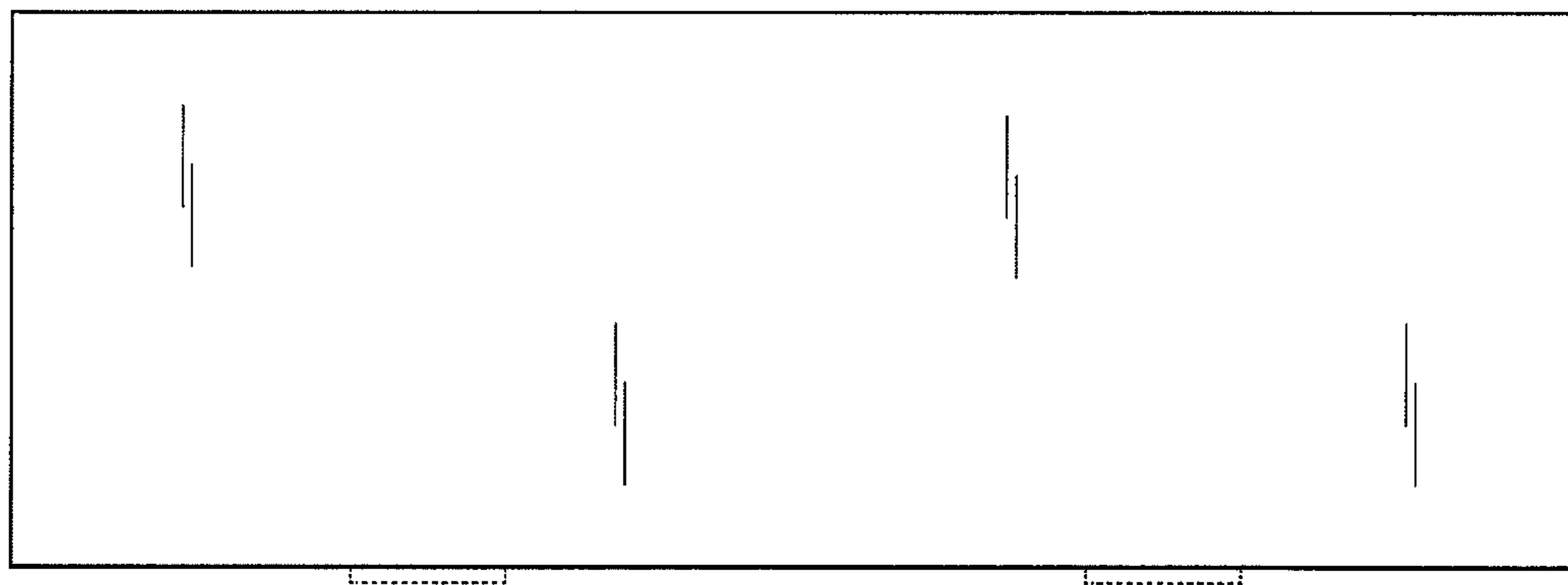


Fig. 2

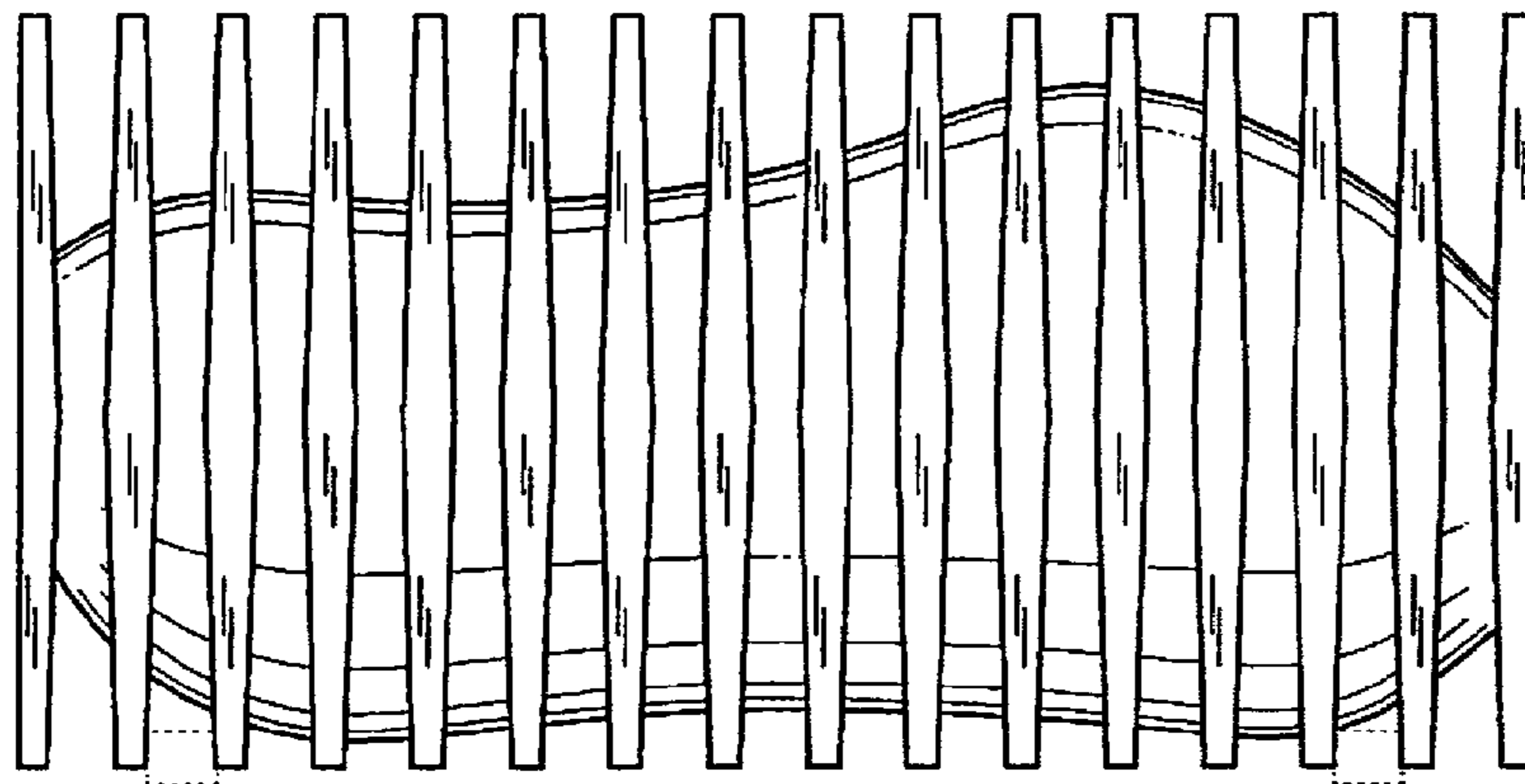


Fig. 3

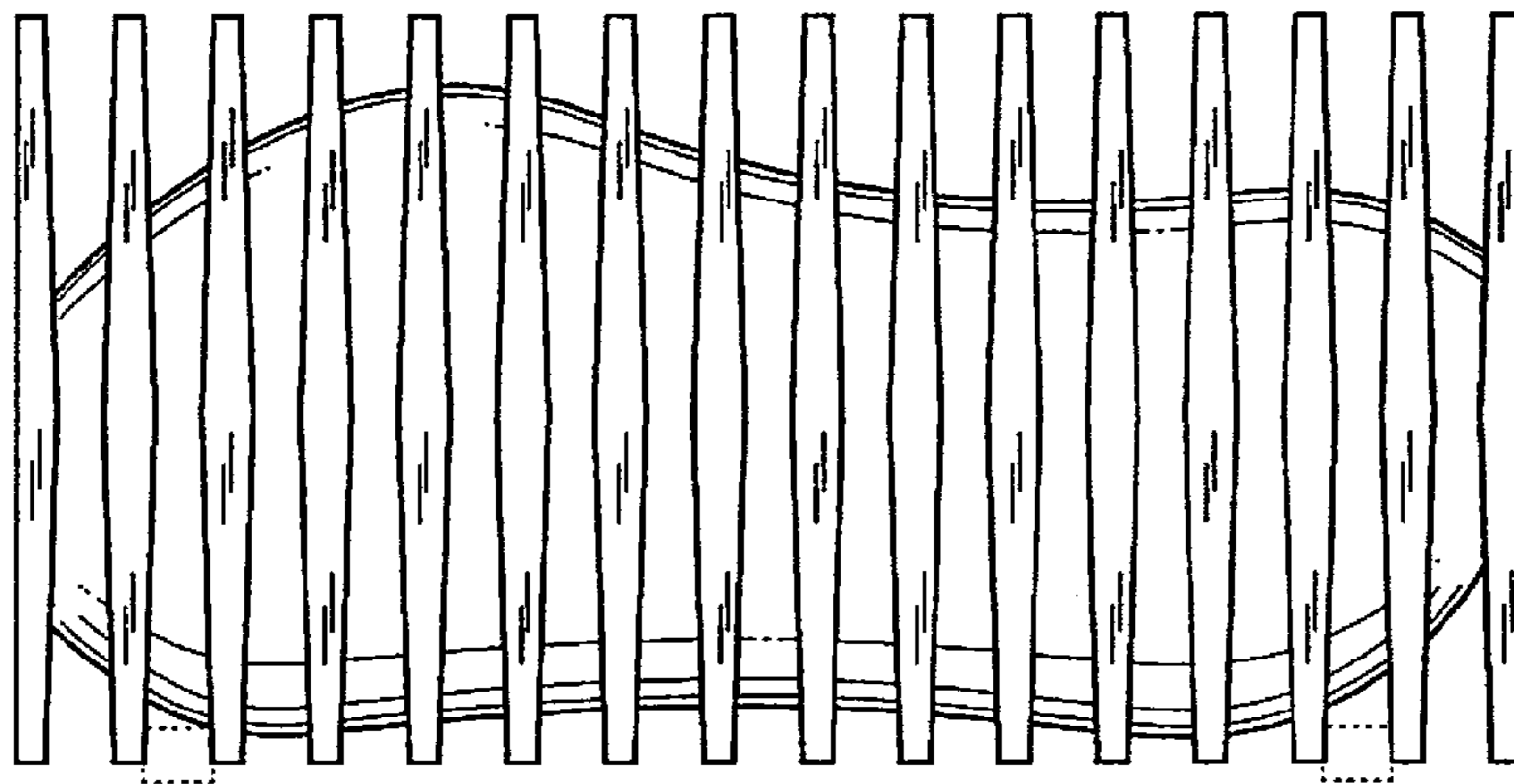


Fig. 4

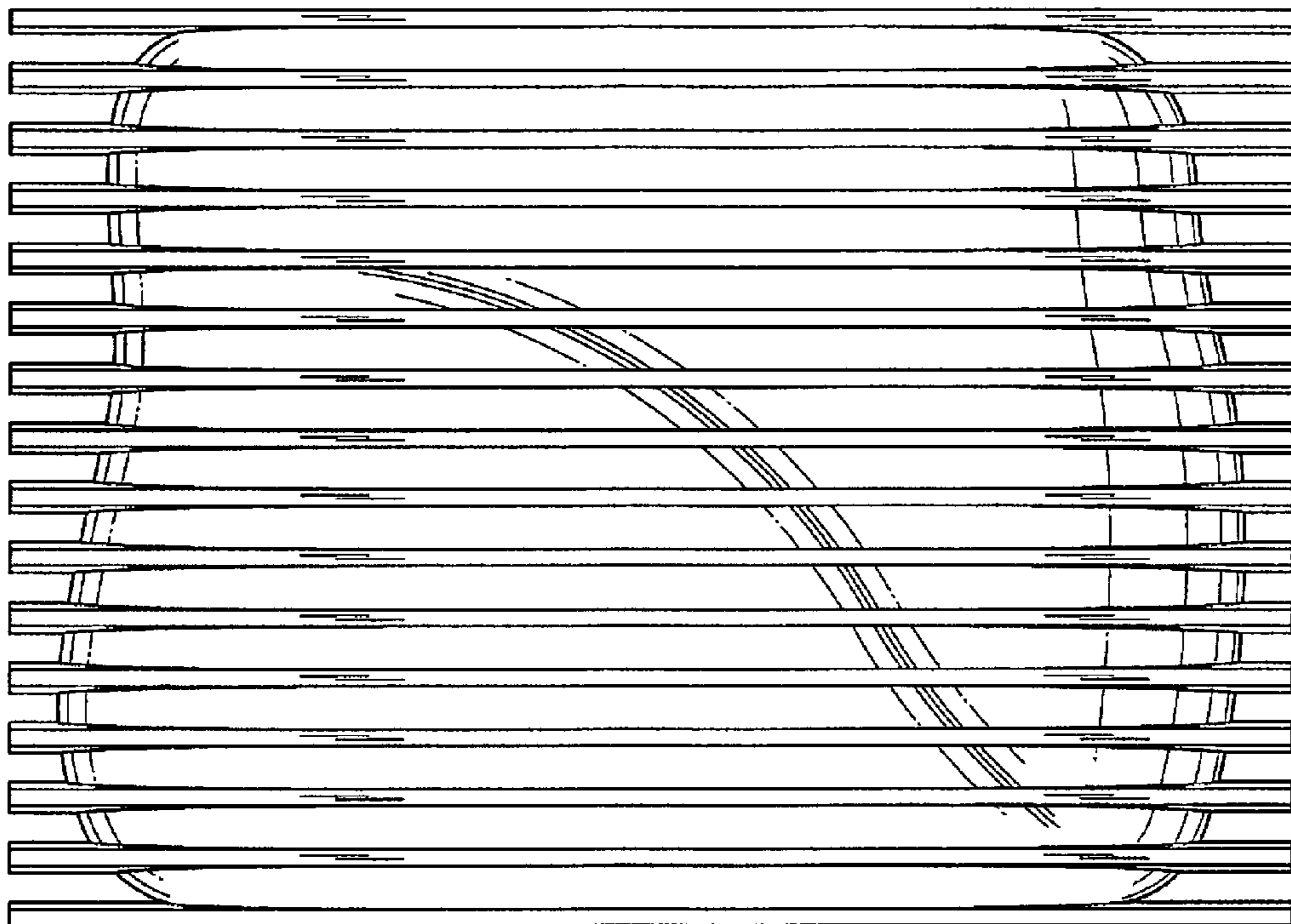


Fig. 5

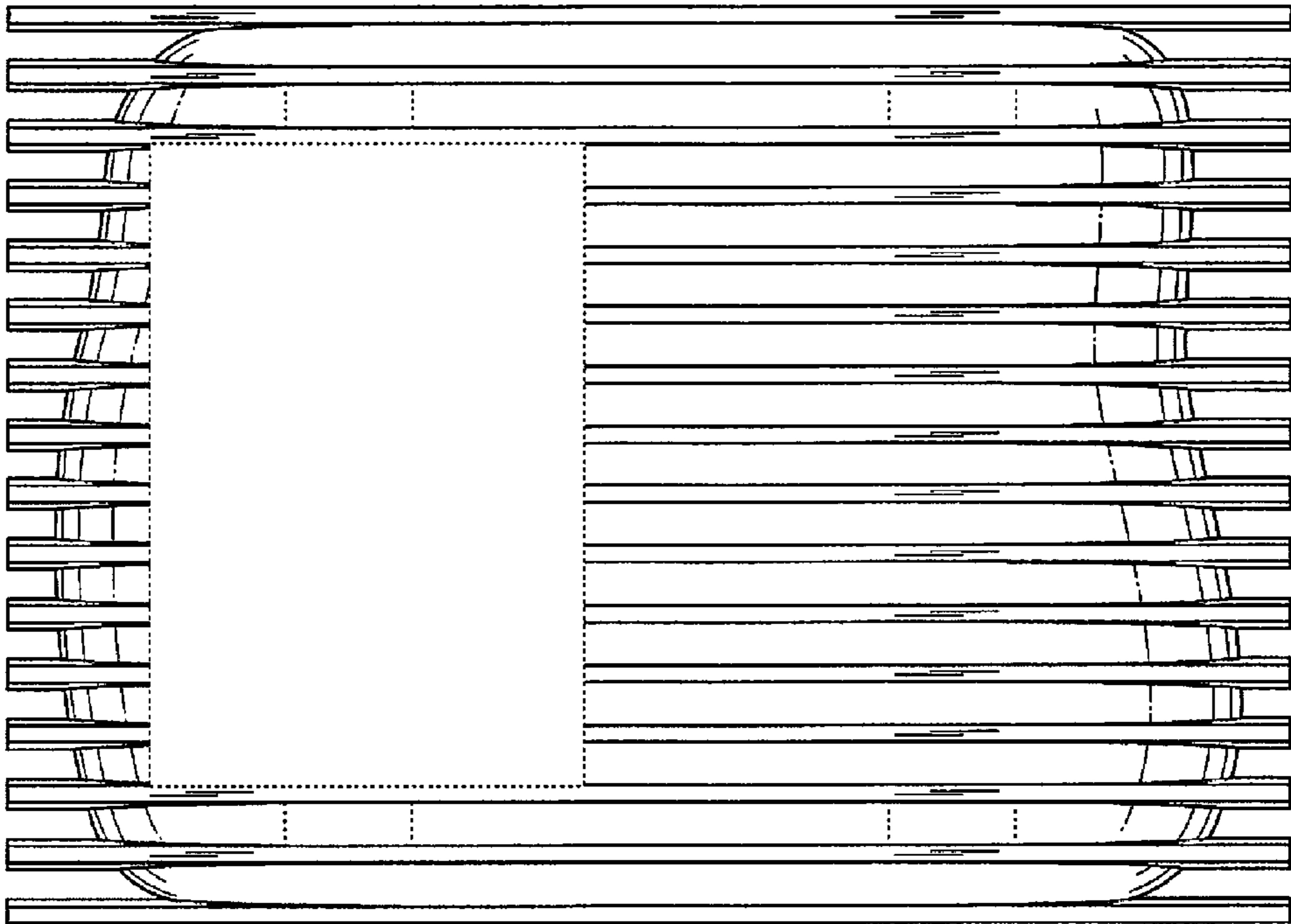


Fig. 6