

US00D737811S

(12) **United States Design Patent**
Lee et al.

(10) **Patent No.:** **US D737,811 S**
(45) **Date of Patent:** **** Sep. 1, 2015**

(54) **NOTEBOOK COMPUTER**

(71) Applicant: **Samsung Electronics Co., Ltd.**,
Suwon-si (KR)

(72) Inventors: **Dong-Seok Lee**, Seoul (KR); **Ik-Sang Kim**, Seoul (KR); **Son-Young Lee**, Seoul (KR)

(73) Assignee: **Samsung Electronics Co., Ltd.**,
Suwon-si (KR)

(**) Term: **14 Years**

(21) Appl. No.: **29/487,072**

(22) Filed: **Apr. 4, 2014**

Related U.S. Application Data

(63) Continuation of application No. 29/440,641, filed on Dec. 24, 2012, now Pat. No. Des. 705,215.

(30) **Foreign Application Priority Data**

Jul. 6, 2012 (KR) 30-2012-0033081

(51) **LOC (10) Cl.** **14-02**

(52) **U.S. Cl.**
USPC **D14/315**

(58) **Field of Classification Search**

USPC D14/315-327; D18/1, 2, 7, 11;
235/145 A, 145 R; 341/22, 23; 345/104,
345/156, 168, 169, 173; 361/679.06,
361/679.08, 679.09, 679.11, 679.26,
361/679.27; 16/367

CPC G06F 1/1679
See application file for complete search history.

(56) **References Cited**

U.S. PATENT DOCUMENTS

6,714,403 B2 3/2004 Furuki et al.
6,771,494 B2 * 8/2004 Shimano 361/679.06
6,785,128 B1 * 8/2004 Yun 361/679.27

6,872,088 B2 * 3/2005 Watanabe 439/165
7,164,578 B2 1/2007 Wang et al.
D615,539 S 5/2010 Jen
D631,472 S 1/2011 Kawase et al.
D633,488 S 3/2011 Kim et al.
D649,543 S 11/2011 Tseng et al.
D651,597 S 1/2012 Lee et al.

(Continued)

OTHER PUBLICATIONS

A Touch of innovation Source: <http://www.vizio.com/thin-light/features> Date Accessed: Apr. 22, 2014.

(Continued)

Primary Examiner — Freda S Nunn

(74) *Attorney, Agent, or Firm* — McAndrews Held & Malloy, Ltd.

(57) **CLAIM**

The ornamental design for a notebook computer, as shown and described.

DESCRIPTION

FIG. 1 is a front perspective view of a notebook computer showing our new design;

FIG. 2 is a front view thereof;

FIG. 3 is a rear view thereof;

FIG. 4 is a left-side view thereof;

FIG. 5 is a right-side view thereof;

FIG. 6 is a top plan view thereof;

FIG. 7 is a bottom plan view thereof; and,

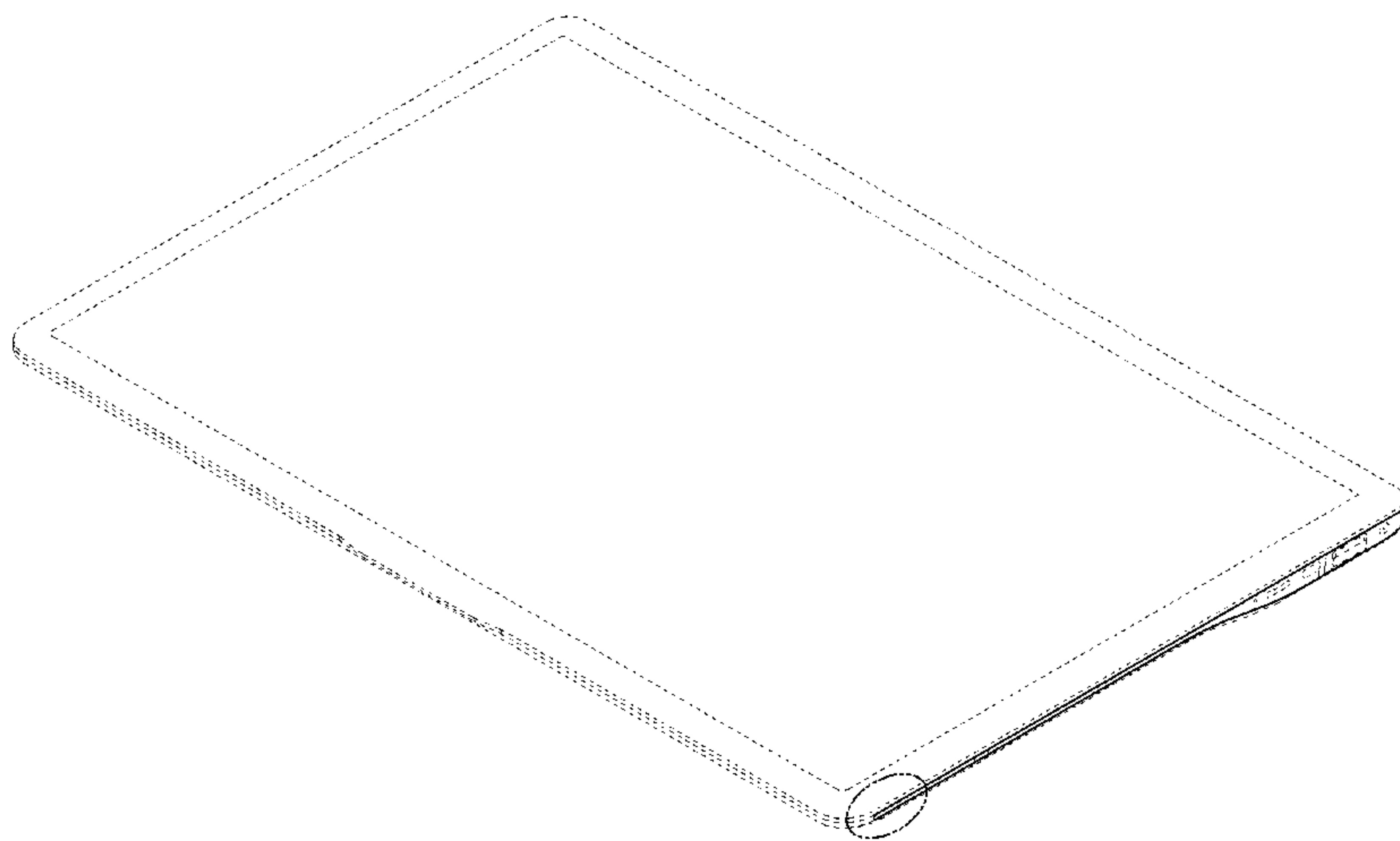
FIG. 8 is an enlargement of the encircled portion shown in FIG. 1.

The broken lines in the figures show portions of the notebook computer which form no part of the claimed design.

The dot-dash lines in the figures represent an unclaimed boundary line and form no part of the claimed design.

The dot-dot-dash broken lines encircling portions of the claimed design that are illustrated in enlargements form no part of the claimed design.

1 Claim, 6 Drawing Sheets



(56)

References Cited

U.S. PATENT DOCUMENTS

D652,415 S 1/2012 Lee et al.
D652,417 S 1/2012 Lee et al.
D664,536 S 7/2012 Lee et al.
D664,538 S 7/2012 Ryu et al.
D671,539 S 11/2012 Kim et al.
D673,556 S 1/2013 Tseng et al.
D676,040 S 2/2013 McManigal et al.
D676,042 S 2/2013 McManigal et al.
D681,629 S 5/2013 Lin et al.
D682,820 S 5/2013 McManigal et al.
2005/0063145 A1 3/2005 Homer et al.
2005/0083644 A1 4/2005 Song
2006/0038795 A1 2/2006 Lee

OTHER PUBLICATIONS

The MSI X-Slim X600 Pro Shattering the boundaries of ultra-thin technology: indulge in the liberation of urban fashion & entertainment Source: <http://www.msi.com/news/900.html> Date Accessed: Apr. 22, 2014.
Asus U82U 14-inch ultra-thin laptop Source: <http://www.technotalks.com/reviews/asus-u82u-14-inch-ultra-thin-laptop-review/> Date Accessed: Apr. 22, 2014.
All Vaio Pro Ultrabooks Source: <http://store.sony.com/all-vaio-pro-ultrabooks/cat-27-catid-All-Ultrabook-Pro> Date Accessed: Apr. 22, 2014.
Vizio, Thin + Light Internet Webpage <http://web.archive.org/web/20121031103342/http://www.vizio.com/thin-light/features> Access Date: Sep. 26, 2014 (Purported Publication Date: Oct. 31, 2012).

* cited by examiner

FIG. 1

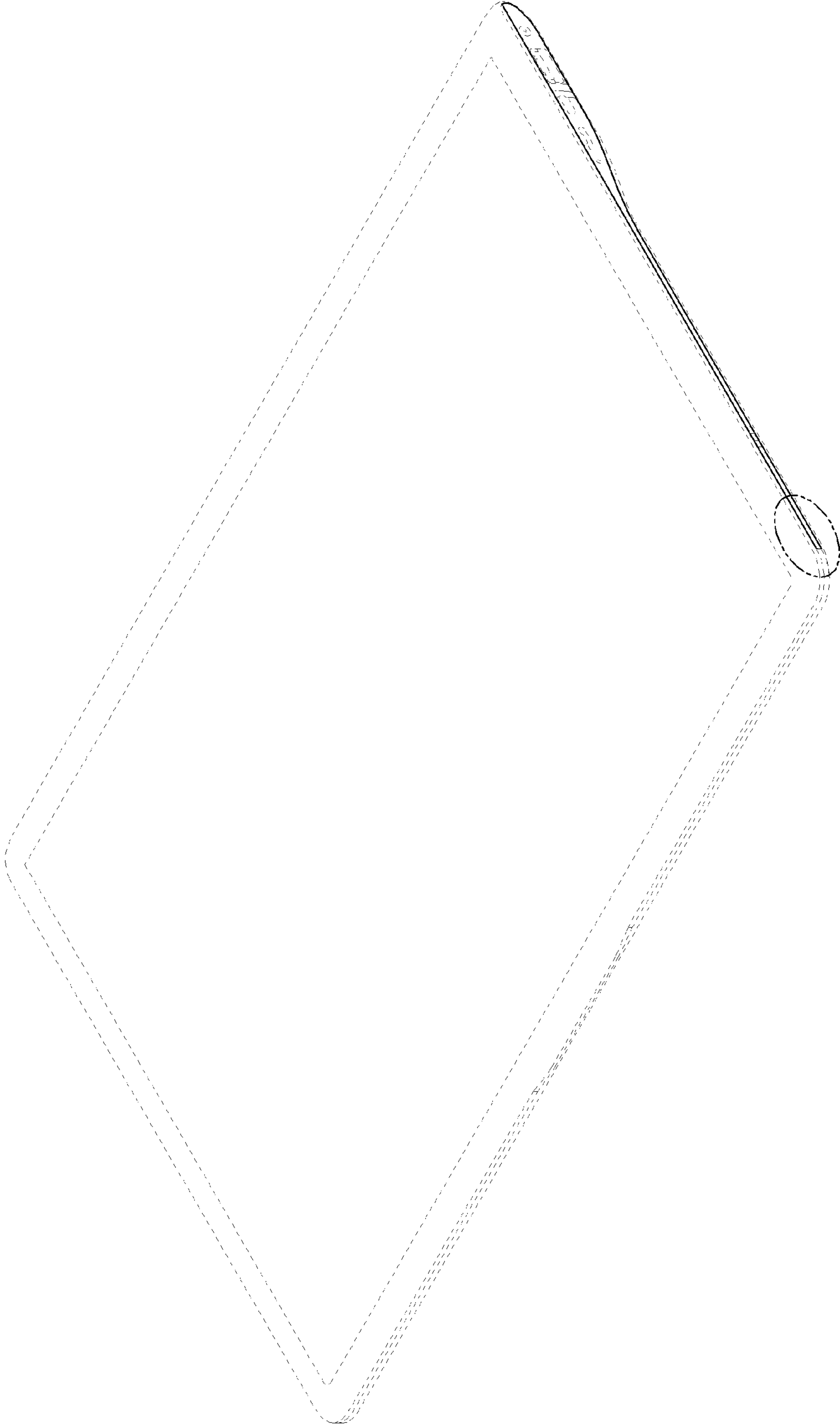


FIG. 2

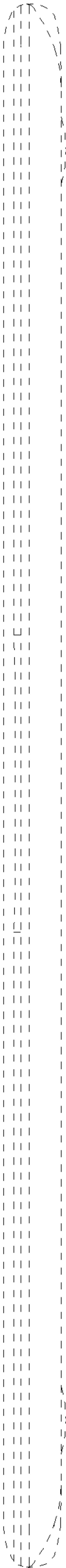


FIG. 3



FIG. 4

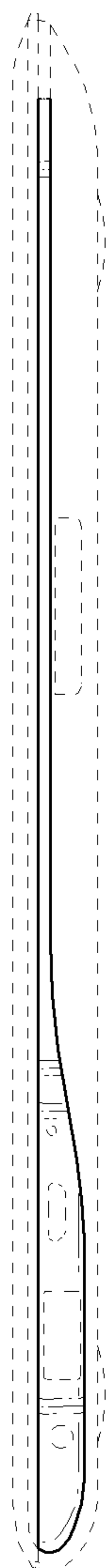


FIG. 5

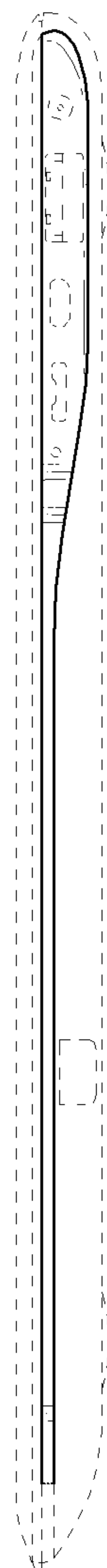


FIG. 6



FIG. 7

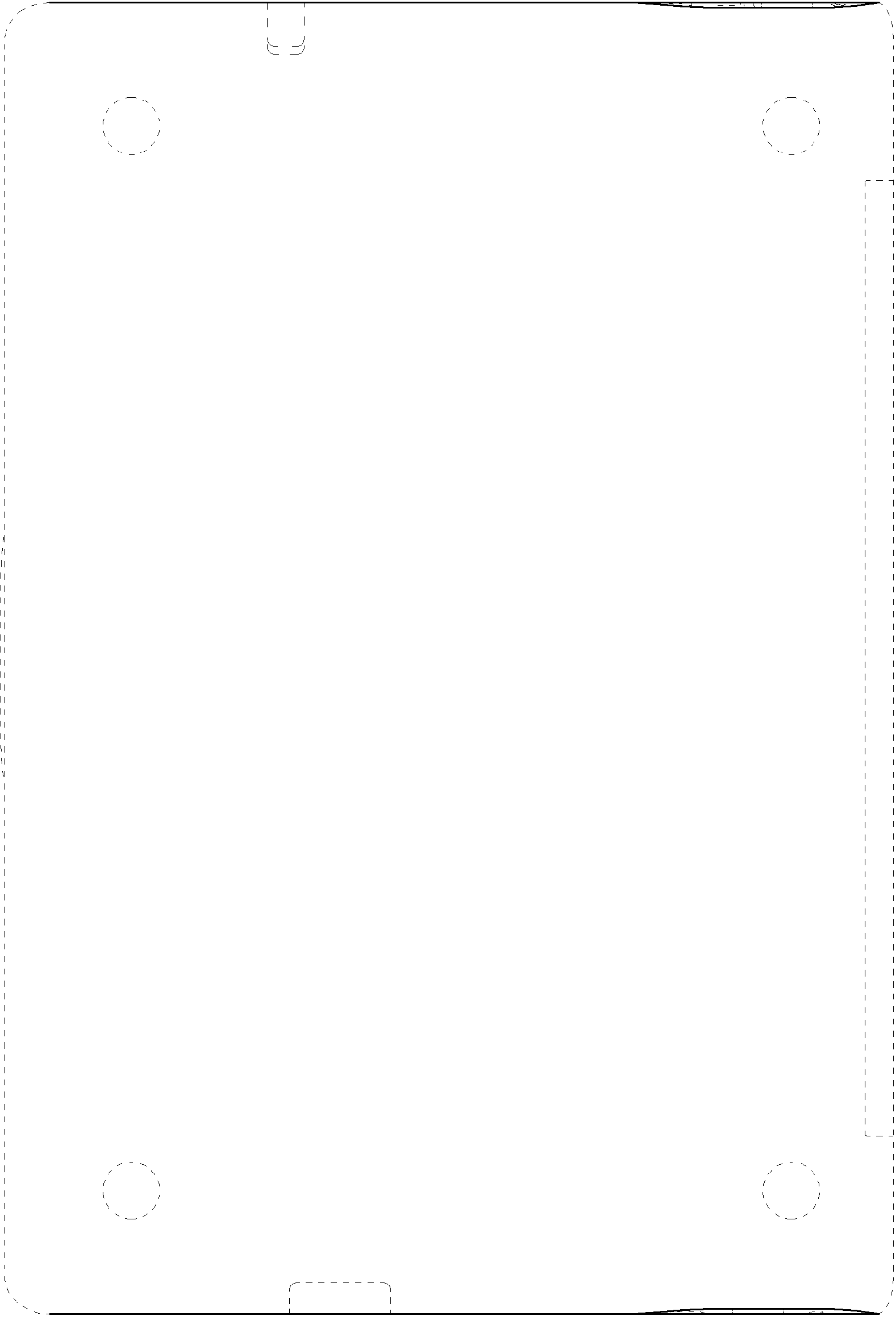


FIG. 8

