



US00D737807S

(12) **United States Design Patent**  
**Jekl et al.**

(10) **Patent No.:** **US D737,807 S**

(45) **Date of Patent:** **\*\* Sep. 1, 2015**

(54) **OPERATING DEVICE OF A TACTICAL RADIO**

(71) Applicant: **ROHDE & SCHWARZ GMBH & CO. KG**, Munich (DE)

(72) Inventors: **Peter Jekl**, Dorfgen (DE); **Johann Steinmaier**, Waldkraiburg (DE)

(73) Assignee: **ROHDE & SCHWARZ GMBH & CO. KG**

(\*\*) Term: **14 Years**

(21) Appl. No.: **29/454,650**

(22) Filed: **May 13, 2013**

(51) **LOC (10) Cl.** ..... **14-03**

(52) **U.S. Cl.**  
USPC ..... **D14/257; D14/197**

(58) **Field of Classification Search**  
USPC ..... D12/192, 195, 415, 420; D14/137, 139, D14/157, 188, 197-198, 257-258; 248/27.1, 27.3, 558; 455/347, 350  
CPC ..... B60K 37/04; H04B 1/082  
See application file for complete search history.

(56) **References Cited**

U.S. PATENT DOCUMENTS

D284,081 S \* 6/1986 Taylor ..... D14/257  
D290,251 S \* 6/1987 Stoddard et al. .... D14/258

D315,158 S \* 3/1991 Hautbout ..... D14/157  
D356,308 S \* 3/1995 Culbertson ..... D14/137  
D364,878 S \* 12/1995 Green et al. .... D14/258  
D531,163 S \* 10/2006 Kaner et al. .... D14/188  
D574,799 S \* 8/2008 Cronmiller et al. .... D14/137  
D599,775 S \* 9/2009 Onoue ..... D14/188  
D608,340 S \* 1/2010 Nishizawa ..... D14/198  
D615,525 S \* 5/2010 Emge et al. .... D14/188  
D635,970 S \* 4/2011 Ichikawa et al. .... D14/258  
D678,265 S \* 3/2013 Tran et al. .... D14/258  
D678,266 S \* 3/2013 Tran et al. .... D14/258

\* cited by examiner

*Primary Examiner* — Sandra Morris

(74) *Attorney, Agent, or Firm* — Cowan, Liebowitz & Latman, P.C.

(57) **CLAIM**

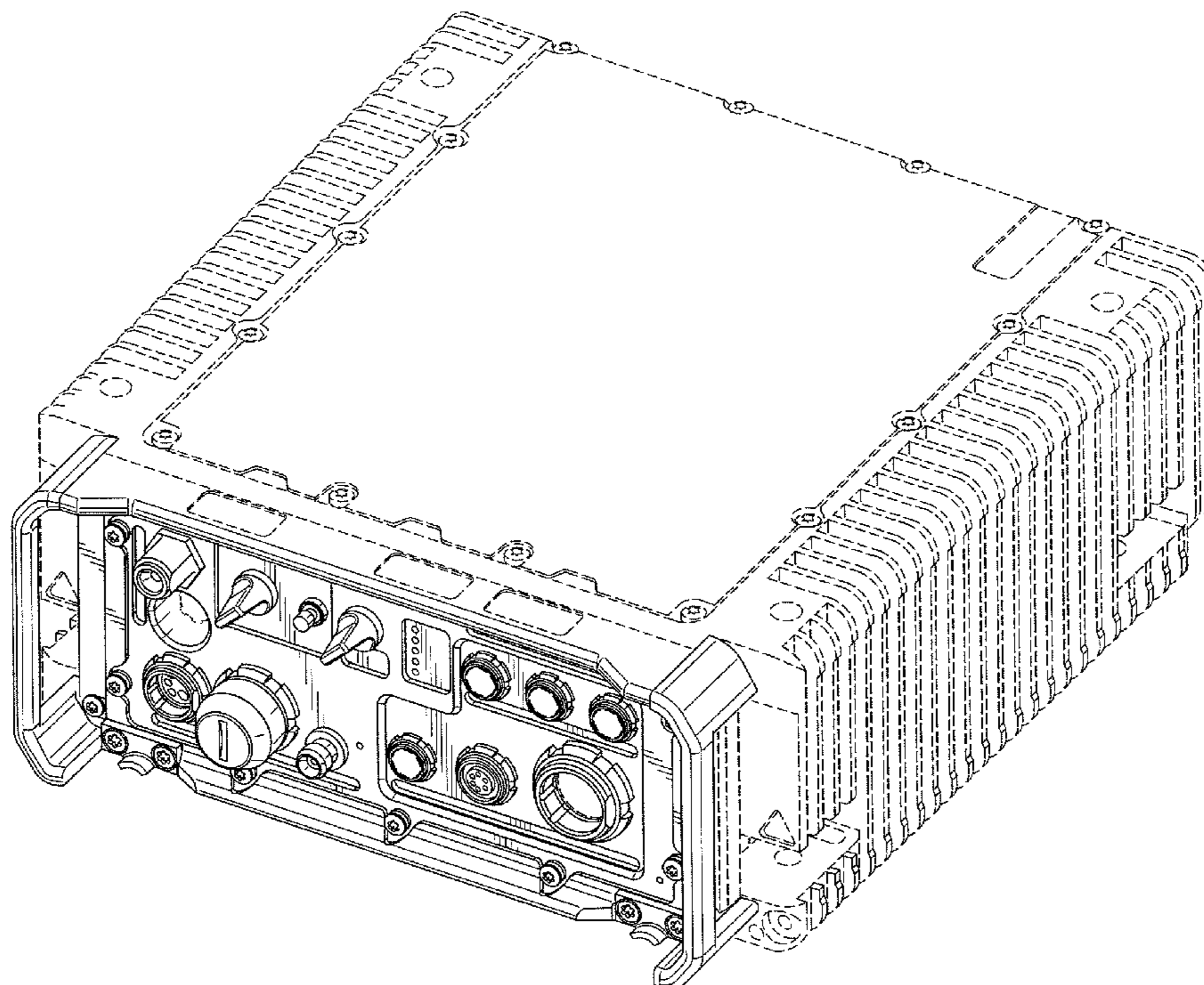
The ornamental design for a operating device of a tactical radio, as shown and described.

**DESCRIPTION**

FIG. 1 is a front perspective view of the operating device of a tactical radio showing my design thereof; and, FIG. 2 is a front view thereof.

Broken lines depicting an outer casing for a tactical radio that includes the operating device of a tactical radio and central areas of some contacts outlined by broken lines form no part of the claimed design.

**1 Claim, 2 Drawing Sheets**



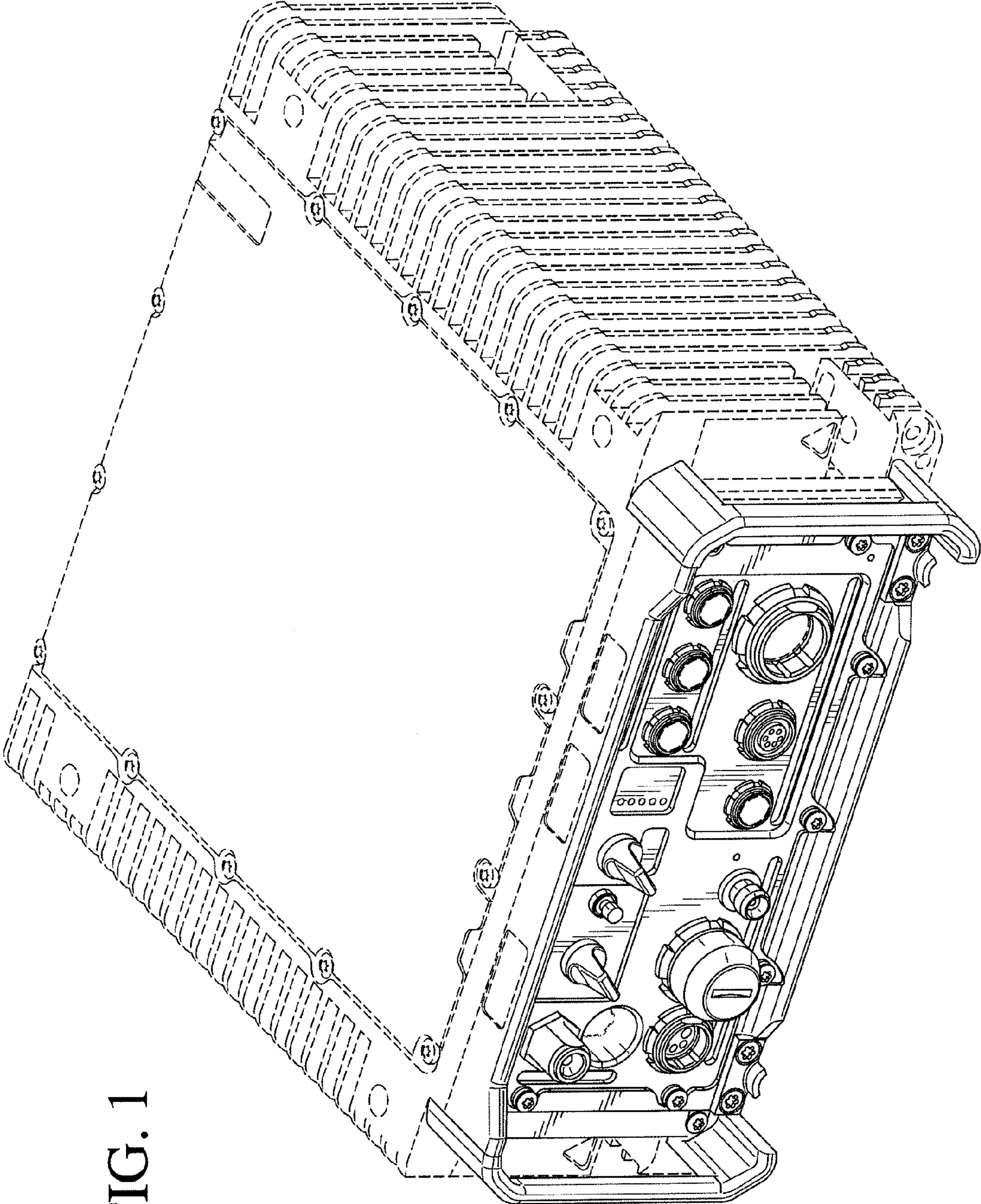


FIG. 1

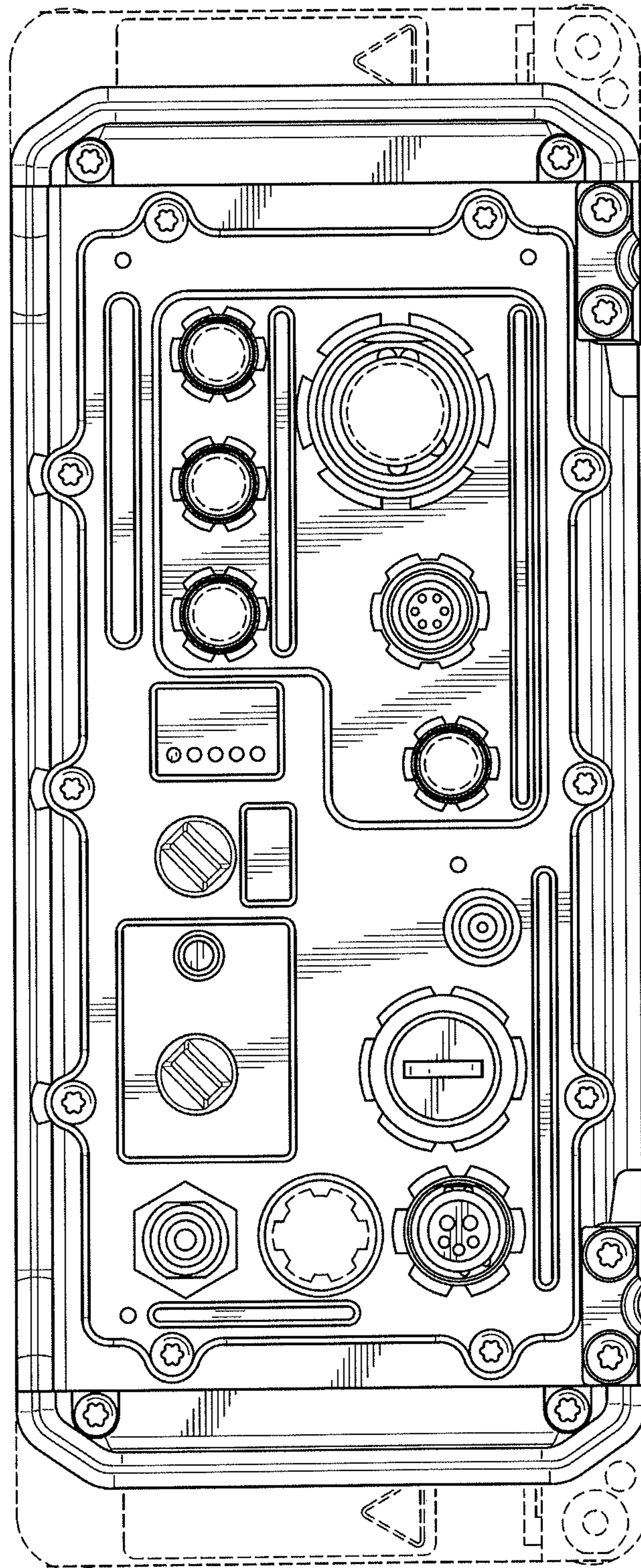


FIG. 2