



US00D737806S

(12) **United States Design Patent**
Gail

(10) **Patent No.:** **US D737,806 S**
(45) **Date of Patent:** **** Sep. 1, 2015**

- (54) **MOBILE TELEPHONE HOLDER**
- (71) Applicant: **Jack Louis Gail**, Northbrook, IL (US)
- (72) Inventor: **Jack Louis Gail**, Northbrook, IL (US)
- (**) Term: **14 Years**
- (21) Appl. No.: **29/487,336**
- (22) Filed: **Apr. 8, 2014**
- (51) **LOC (10) Cl.** **14-02**
- (52) **U.S. Cl.**
USPC **D14/253**; D3/218
- (58) **Field of Classification Search**
USPC D2/639; D3/215, 218, 226; D12/417;
D14/251, 253; 224/269, 625, 626, 647,
224/648, 655; 379/449
See application file for complete search history.

- D719,347 S * 12/2014 Newton D3/218
- D720,338 S * 12/2014 Nousiainen D14/248
- D720,924 S * 1/2015 Emmitt D3/218
- D722,227 S * 2/2015 Blast et al. D3/220
- D723,013 S * 2/2015 Lee et al. D14/248
- 2009/0117956 A1 5/2009 Latz
- 2011/0132950 A1 6/2011 Culver
- 2012/0046083 A1 2/2012 Klett

* cited by examiner

Primary Examiner — Susan Bennett Hattan

Assistant Examiner — Leanne Was

(74) *Attorney, Agent, or Firm* — Richard D. Harris

(57) **CLAIM**

What is claimed is the ornamental design for a mobile telephone holder, as shown and described.

DESCRIPTION

FIG. 1 is a front perspective view of a mobile telephone holder showing the new design in use by a driver wearing a seatbelt, with a mobile telephone positioned therein;

FIG. 2 is an elevated front view of the mobile telephone holder in accordance with the present invention;

FIG. 3 is an elevated rear view thereof;

FIG. 4 is an elevated right side view thereof;

FIG. 5 is an elevated left side view thereof;

FIG. 6 is a top plan view thereof; and,

FIG. 7 is a bottom plan view thereof.

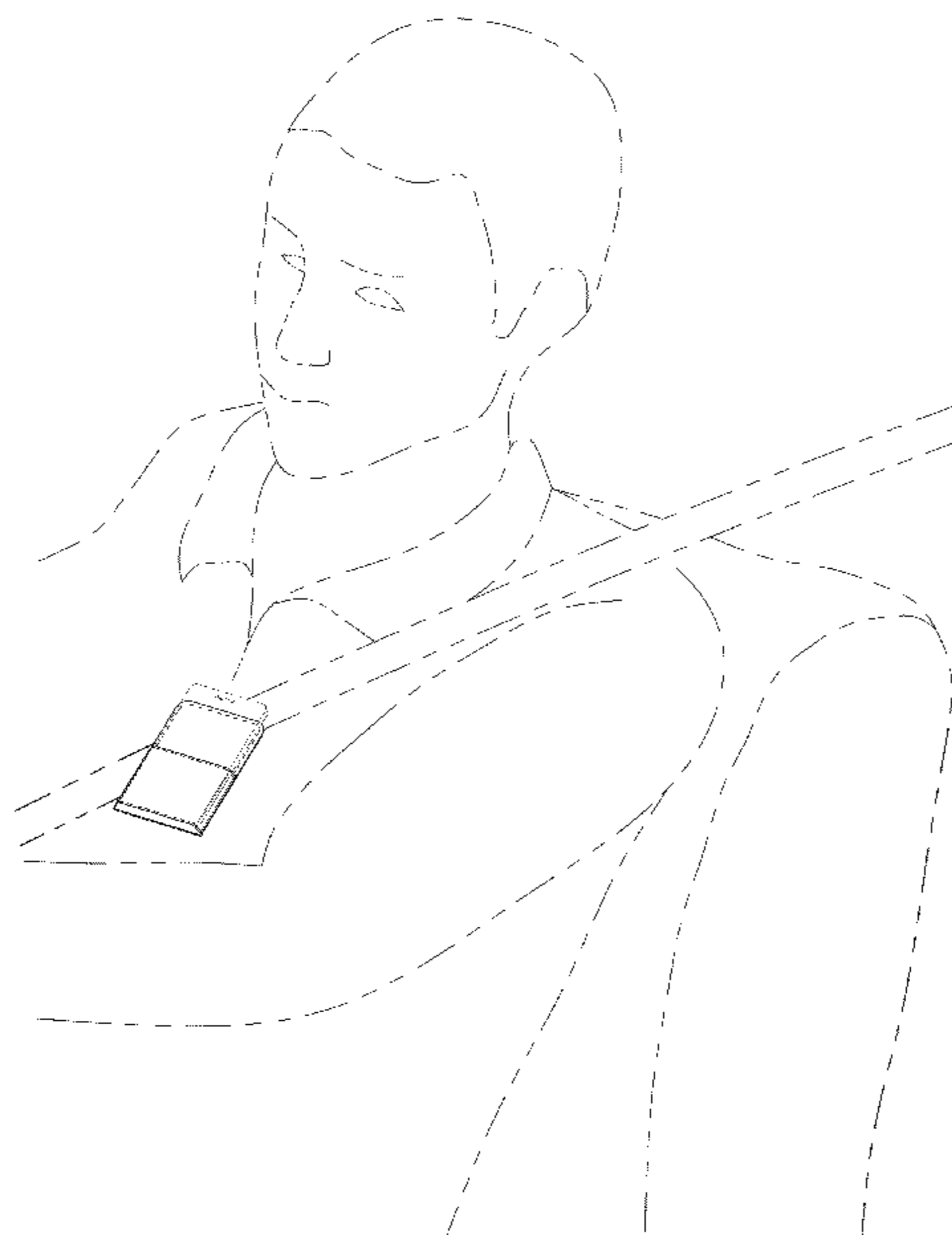
The driver, seat belt, seat and mobile phone shown in double-dashed lines in FIG. 1 depict environment only and form no part of the design claimed. The stitching shown in dashed lines on the mobile telephone holder in FIGS. 1 through 5 forms no part of the design claimed. Any surface shading is used solely to show the character or contour of the surfaces represented.

1 Claim, 5 Drawing Sheets

(56) **References Cited**

U.S. PATENT DOCUMENTS

- 5,833,100 A 11/1998 Kim
- 6,568,576 B1 * 5/2003 Godshaw et al. 224/647
- D489,890 S * 5/2004 Gorham, Jr. D3/218
- 6,754,344 B2 * 6/2004 Kohli et al. 379/446
- D507,872 S * 8/2005 Watson D3/218
- D572,901 S * 7/2008 St. George D3/218
- D589,699 S * 4/2009 Silvera D3/218
- D591,499 S * 5/2009 Ross, III D3/218
- D610,798 S * 3/2010 Silvera D3/218
- 7,930,006 B2 * 4/2011 Neu et al. 455/575.1
- D643,619 S * 8/2011 Littleton D3/215
- 8,068,888 B2 * 11/2011 Ross, III 455/575.8
- 8,428,665 B1 * 4/2013 McLaughlin et al. 455/575.1
- D683,954 S * 6/2013 Izen et al. D3/218
- D697,305 S * 1/2014 Culver D3/218
- D715,043 S * 10/2014 Rayeski et al. D3/218



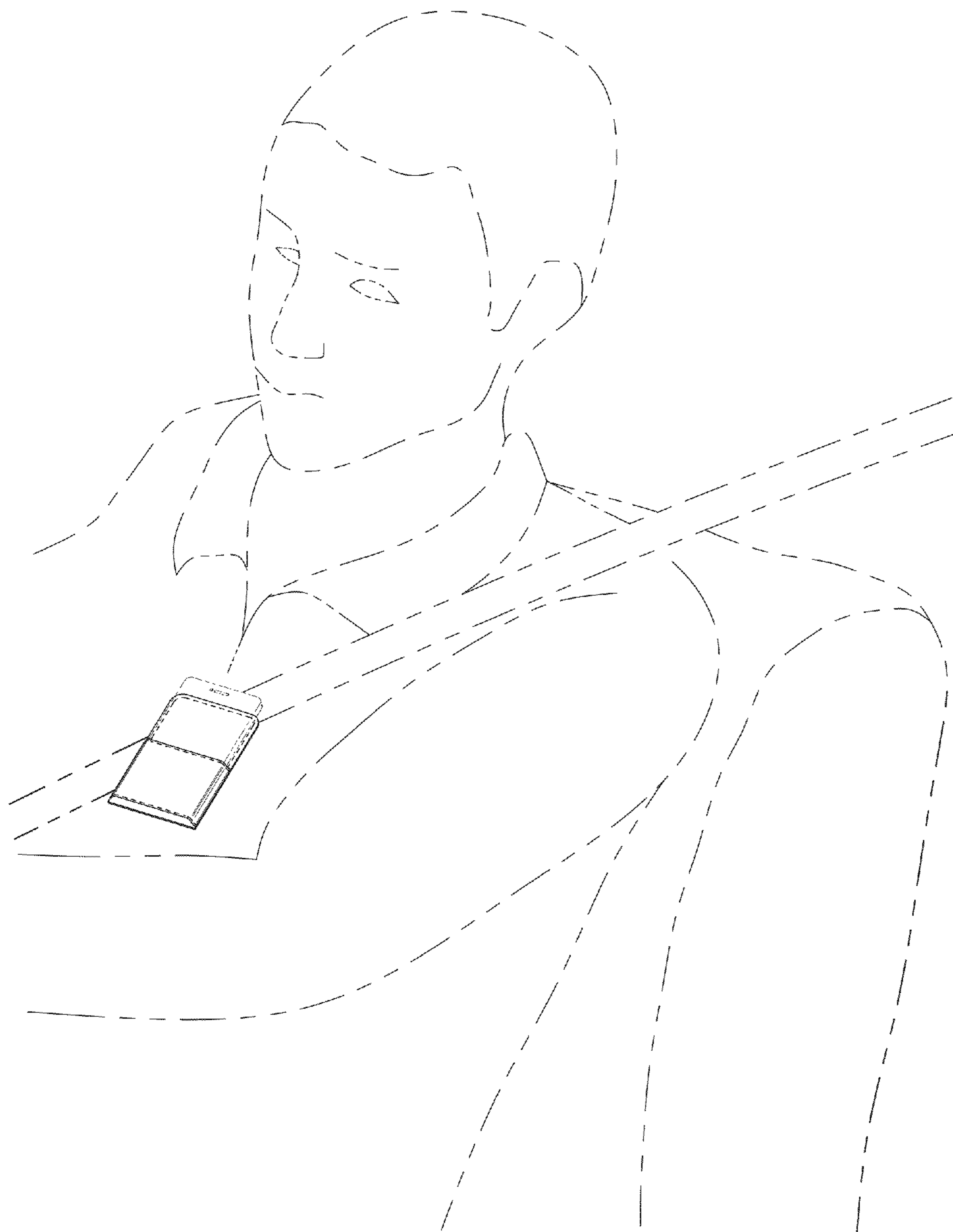


FIG. 1

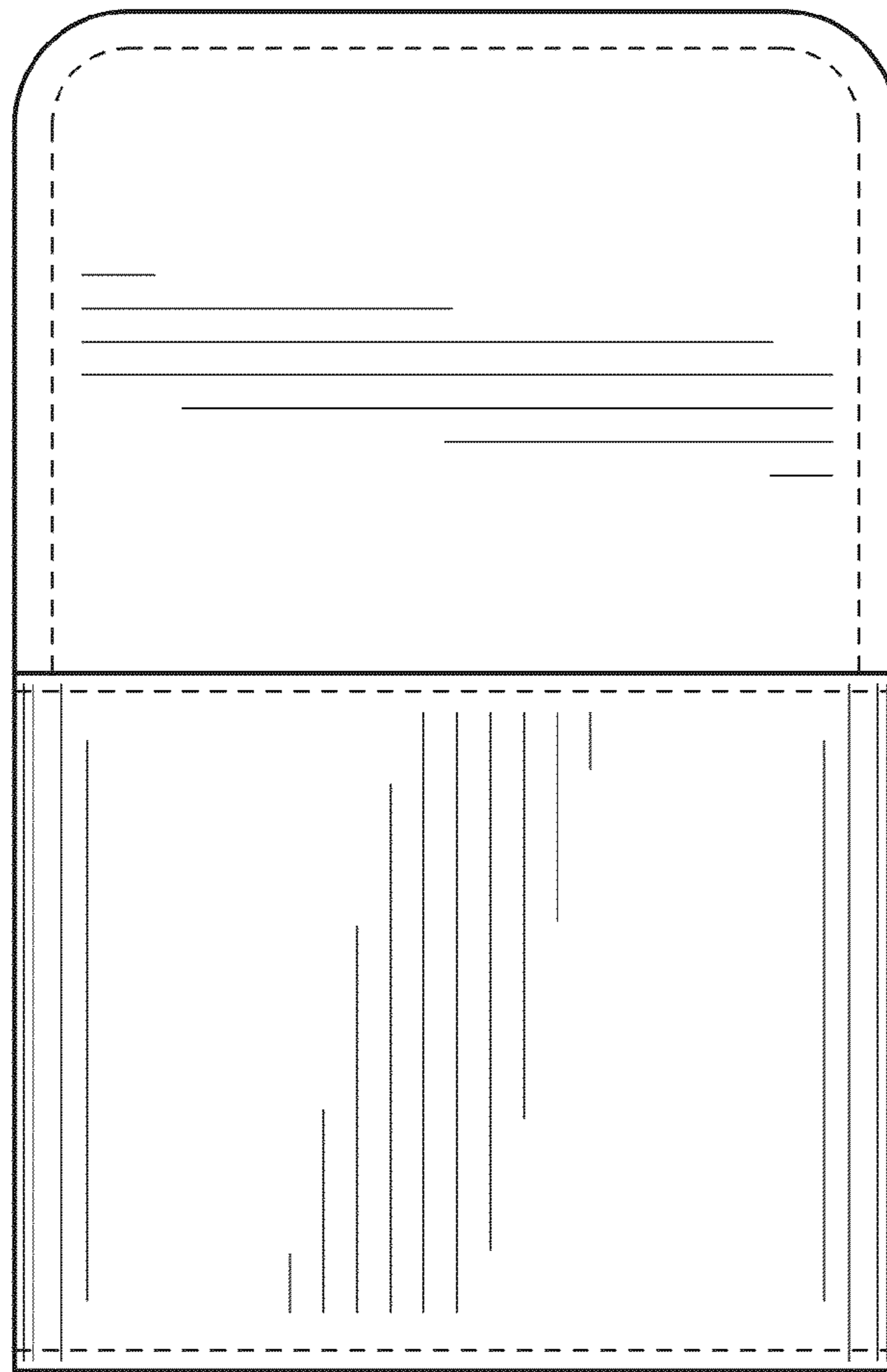


FIG. 2

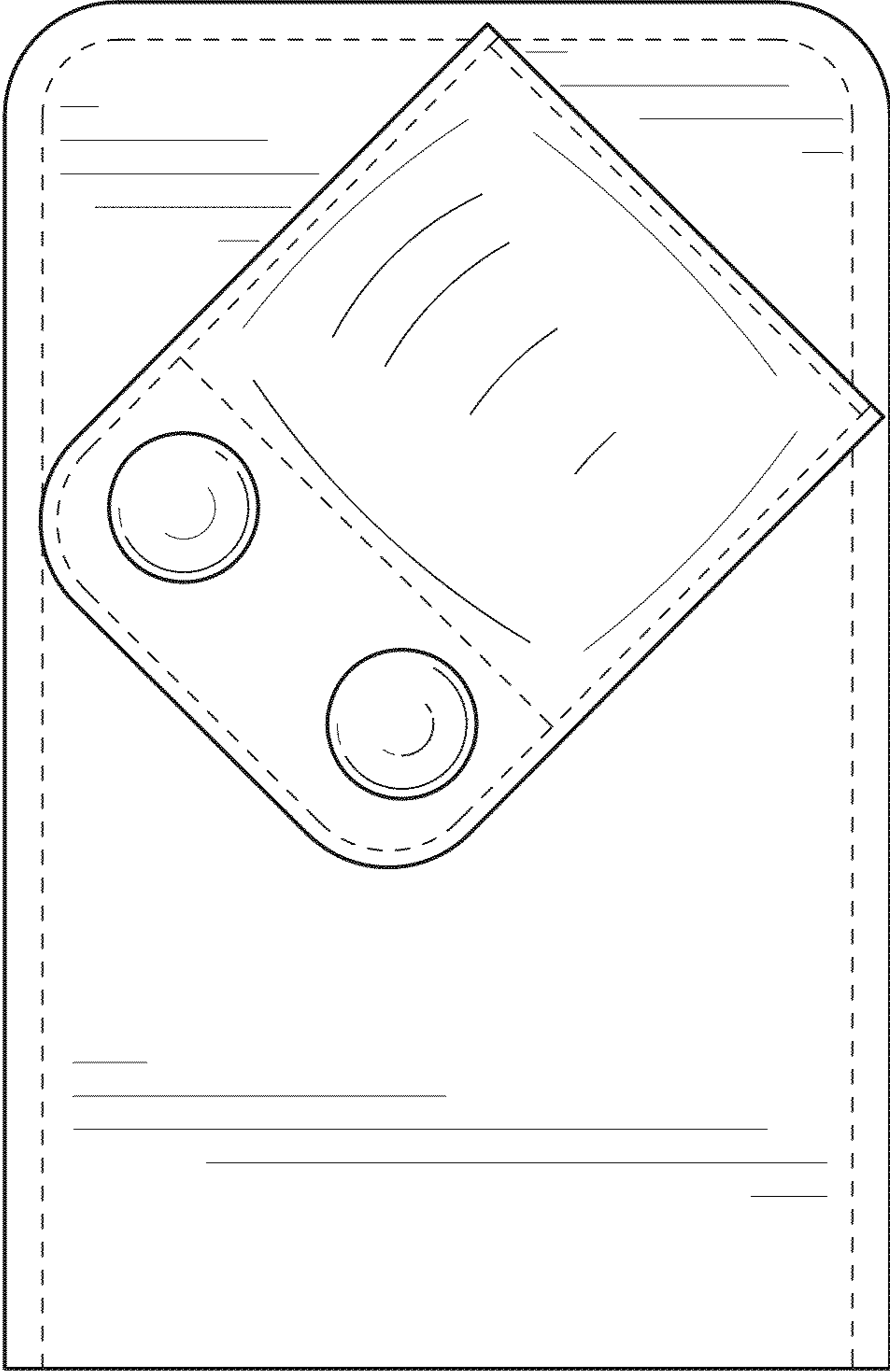


FIG. 3

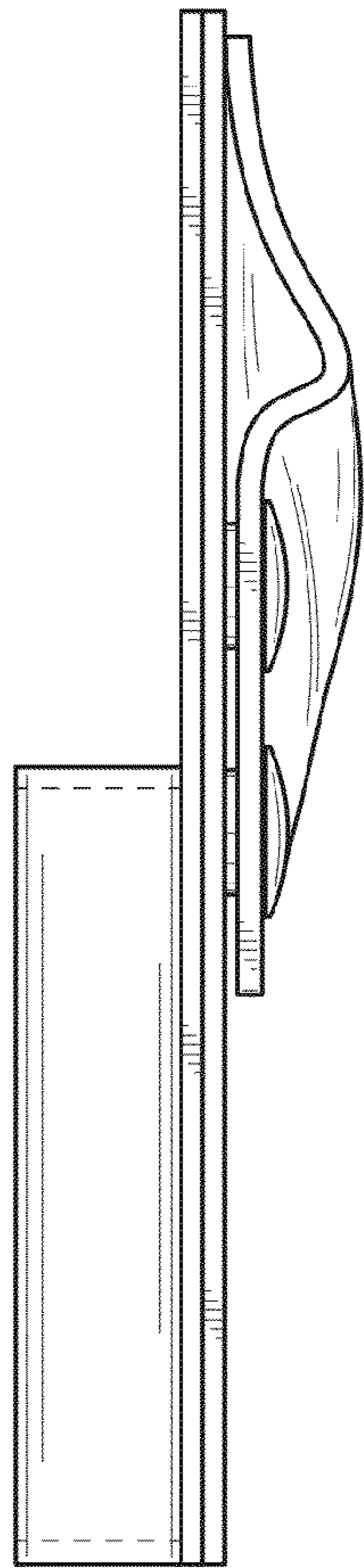


FIG. 4

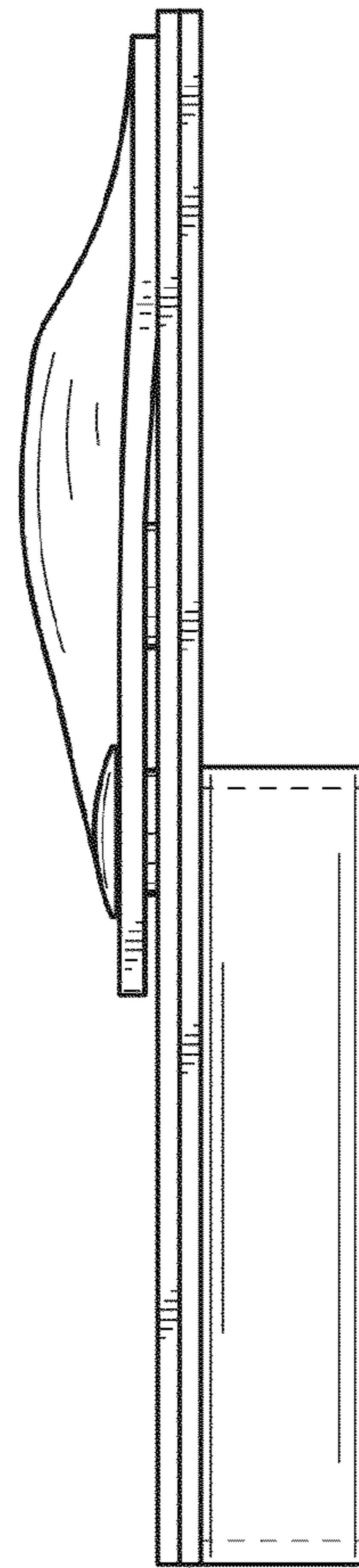


FIG. 5

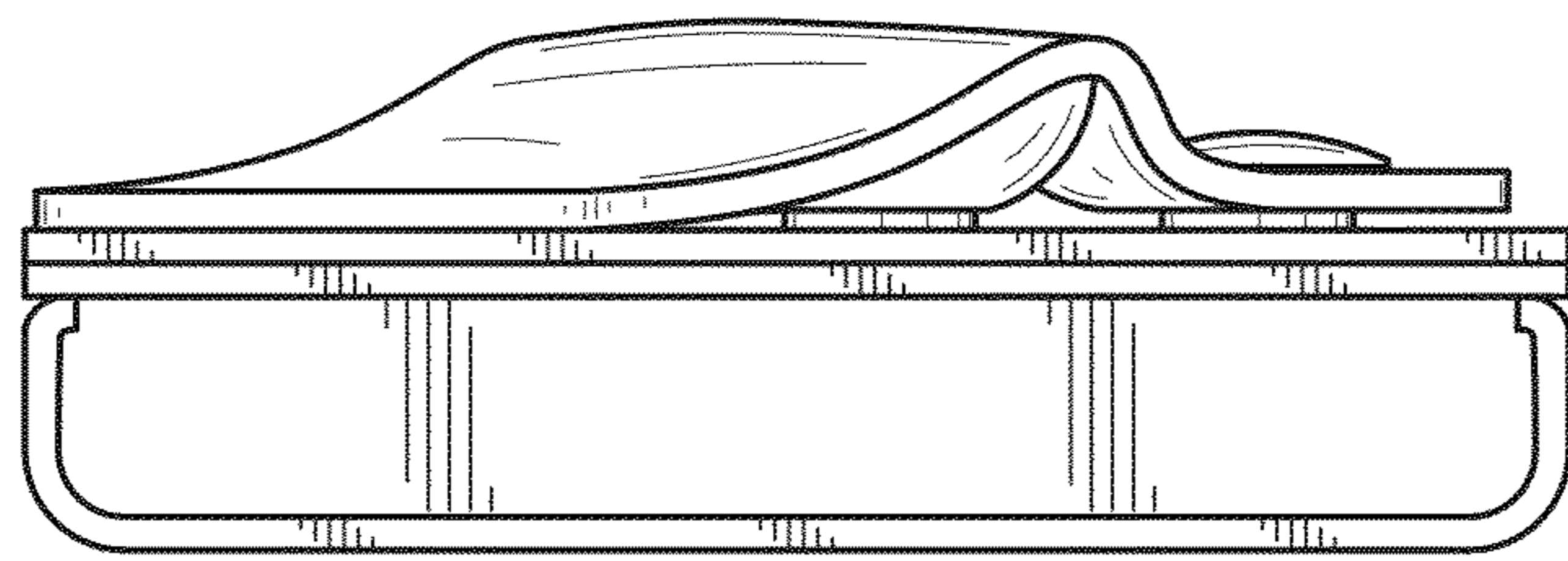


FIG. 6

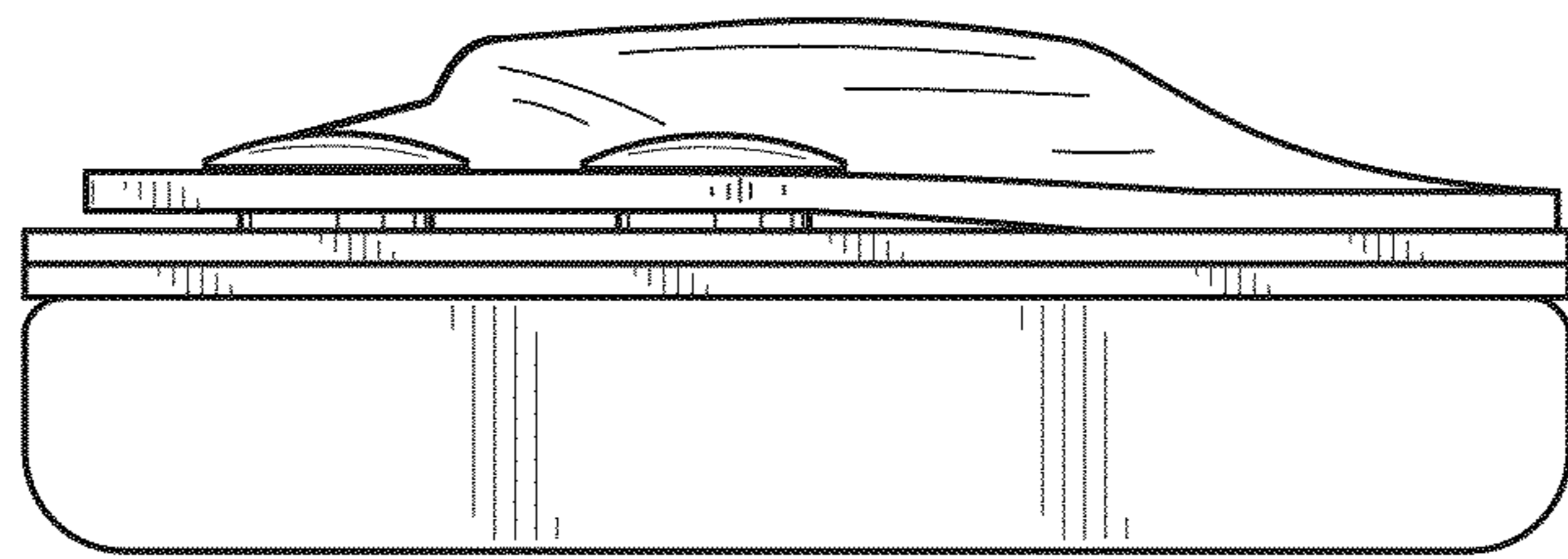


FIG. 7