



US00D737804S

(12) **United States Design Patent**
Fereday et al.

(10) **Patent No.:** **US D737,804 S**
(45) **Date of Patent:** **** Sep. 1, 2015**

- (54) **MICROPHONE MOUNT**
- (71) Applicant: **Freedman Electronics Pty Limited**,
Silverwater NSW (AU)
- (72) Inventors: **Tom Ferghana Rogers Fereday**,
Silverwater NSW (AU); **Sun Kyung**
Sunwoo, Silverwater NSW (AU)
- (73) Assignee: **Freedman Electronics Pty Limited**,
Silverwater, New South Wales (AU)

4,577,070	A *	3/1986	Shulman	381/366
D296,099	S *	6/1988	Kubota	D14/227
4,749,112	A *	6/1988	Harper	224/553
D302,158	S *	7/1989	Kubota	D14/225
D314,325	S *	2/1991	Ziaylek et al.	D8/373
D319,575	S *	9/1991	Young	D8/395
D344,449	S *	2/1994	Ward	D8/395
D347,164	S *	5/1994	Wodka	D8/395
D367,999	S *	3/1996	McCallum	D7/620
D424,414	S *	5/2000	Ziaylek et al.	D8/373
6,220,557	B1 *	4/2001	Ziaylek et al.	248/316.1
D476,569	S *	7/2003	Simkins	D9/455

(Continued)

(**) Term: **14 Years**

(21) Appl. No.: **29/473,529**

(22) Filed: **Nov. 22, 2013**

(30) **Foreign Application Priority Data**

Nov. 14, 2013 (AU) 15861/2013

(51) **LOC (10) Cl.** **14-01**

(52) **U.S. Cl.**
USPC **D14/229**

(58) **Field of Classification Search**
USPC D14/224–229, 234; D16/208, 248;
D17/99, 22; D21/513; 181/158, 242;
381/26, 122, 355, 356, 361, 365, 366,
381/368, 369; 455/575.1, 90.3; D8/355,
D8/394, 396

CPC H04R 1/08; H04R 1/083; F16F 1/46;
F16M 11/041; H01F 7/0252

See application file for complete search history.

(56) **References Cited**

U.S. PATENT DOCUMENTS

3,596,859	A *	8/1971	MacDonald	248/214
D222,527	S *	11/1971	Ziaylek, Jr.	D8/373
D237,357	S *	10/1975	Ziaylek, Jr.	D8/373
4,040,547	A *	8/1977	Dickey	224/247
4,194,096	A *	3/1980	Ramsey	381/366
4,546,950	A *	10/1985	Cech	248/610

OTHER PUBLICATIONS

Australian videocamera magazine(RØDE delivers on-camera audio on the GO!). rycote.com (online/magazine issue#47). p. 12 of 49. Uploaded Nov 18, 2013 [retrieved on Dec. 30, 2014]. Retrieved from Internet: < <http://australian-videocamera.com/issue-printer/nov2013>>.*

(Continued)

Primary Examiner — Susan Bennett Hattan

Assistant Examiner — Marie Fast Horse

(74) *Attorney, Agent, or Firm* — TraskBritt, P.C.

(57) **CLAIM**

The ornamental design for a microphone mount, as shown and described.

DESCRIPTION

FIG. 1 is a front view of a microphone mount, showing our new design;

FIG. 2 is a side view of the design;

FIG. 3 is a rear view of the design;

FIG. 4 is a top view of the design;

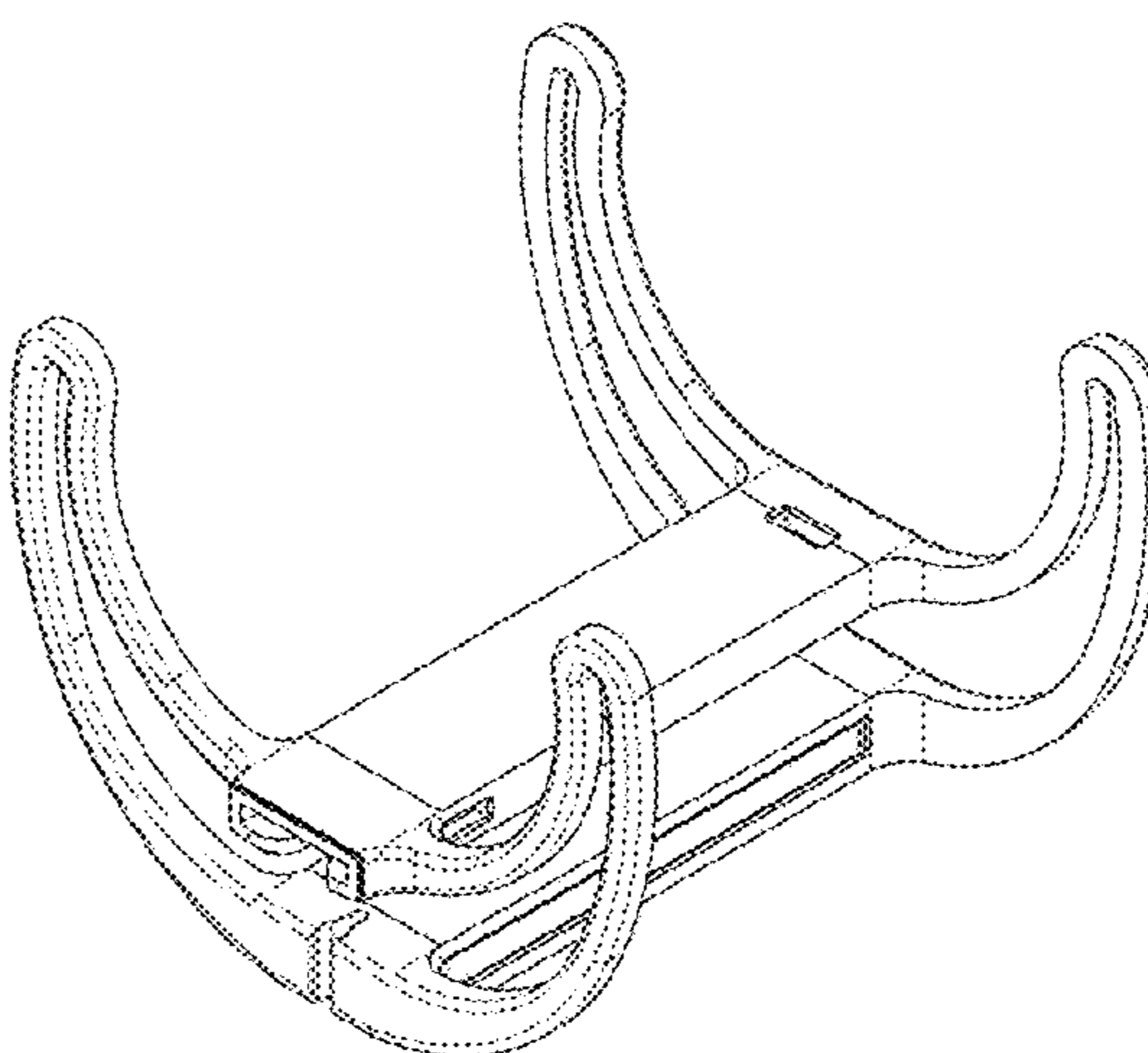
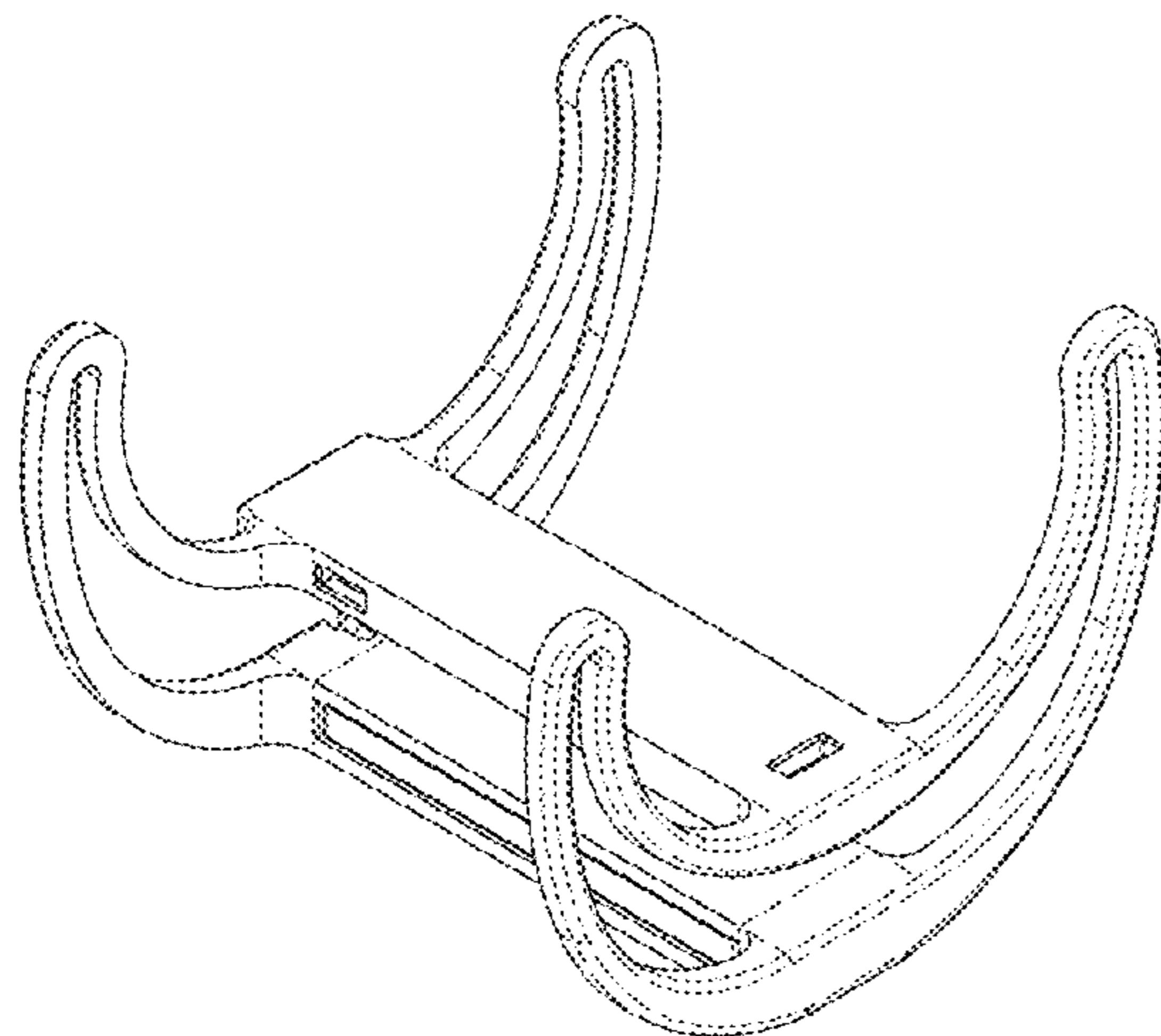
FIG. 5 is a bottom view of the design;

FIG. 6 is an isometric view of the design; and,

FIG. 7 is an isometric view of the design.

The broken lines in FIG. 5 depict parts of the microphone mount that form no part of the claimed design.

1 Claim, 7 Drawing Sheets



(56)

References Cited

U.S. PATENT DOCUMENTS

D531,019	S *	10/2006	Plumer	D8/396
D553,485	S *	10/2007	Hall	D8/396
7,723,596	B2 *	5/2010	Kelly	84/421
D619,452	S *	7/2010	Ollila	D8/396
D637,457	S *	5/2011	Thompson	D7/600.1
8,534,629	B2 *	9/2013	Hennings et al.	248/313
D701,747	S *	4/2014	Eddisford	D8/349
D707,662	S *	6/2014	Okita	D14/229
D710,831	S *	8/2014	Cooper et al.	D14/229
D712,728	S *	9/2014	Ng	D8/394
2007/0195983	A1 *	8/2007	Klemme	381/362
2009/0016558	A1 *	1/2009	Woolf et al.	381/368
2013/0061430	A1 *	3/2013	Okita et al.	24/303
2013/0062479	A1 *	3/2013	Okita	248/176.1

OTHER PUBLICATIONS

Rycote Modular Suspensions. rycote.com (online). 2 Pages. Uploaded 2013 [retrieved on Dec. 30, 2014]. Retrieved from Internet: <<http://www.rycote.com/producttypes/modular-suspensions/>>.*

Videomic Pro Shockmount. dvinfoset (online forum). 1 Pages. Uploaded Oct. 2008 [retrieved on Dec. 30, 2014]. Retrieved from Internet: <<http://www.dvinfoset.com/forum/all-things-audio/509637-do-any-other-rode-lovers-hate-videomic-pro-shockmount.html>>.*

Rycote INV-7 InVision Microphone Suspension for Stand and Boompole Mounting. bhphotovideo.com (online). 7 Pages. Uploaded Nov. 25, 2008 [retrieved on Dec. 30, 2014]. Retrieved from Internet: <http://www.bhphotovideo.com/c/product/554999-REG/Rycote_041107_INV_7_InVision_Indoor_Microphone.html>.*

* cited by examiner

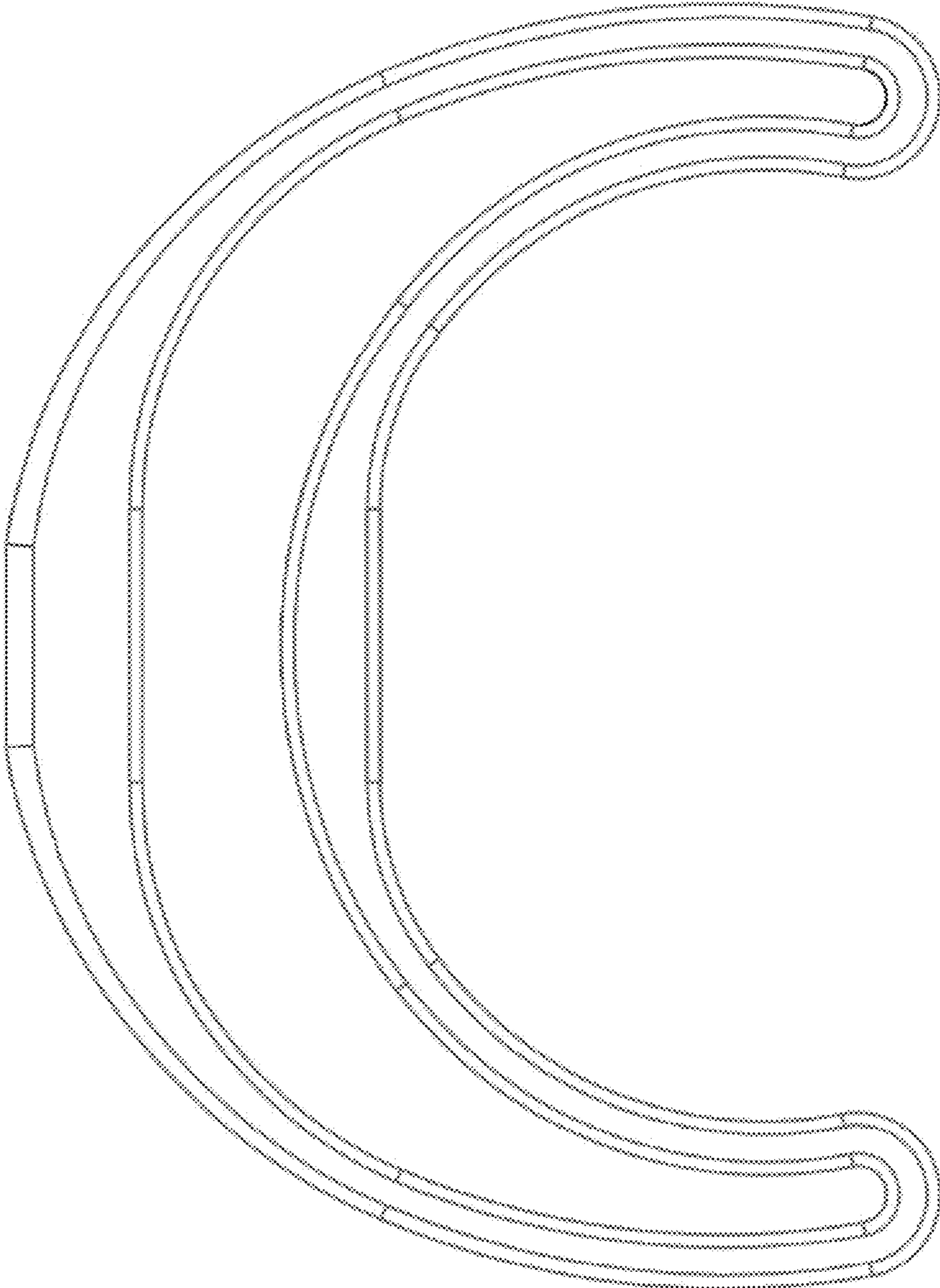


FIG. 1

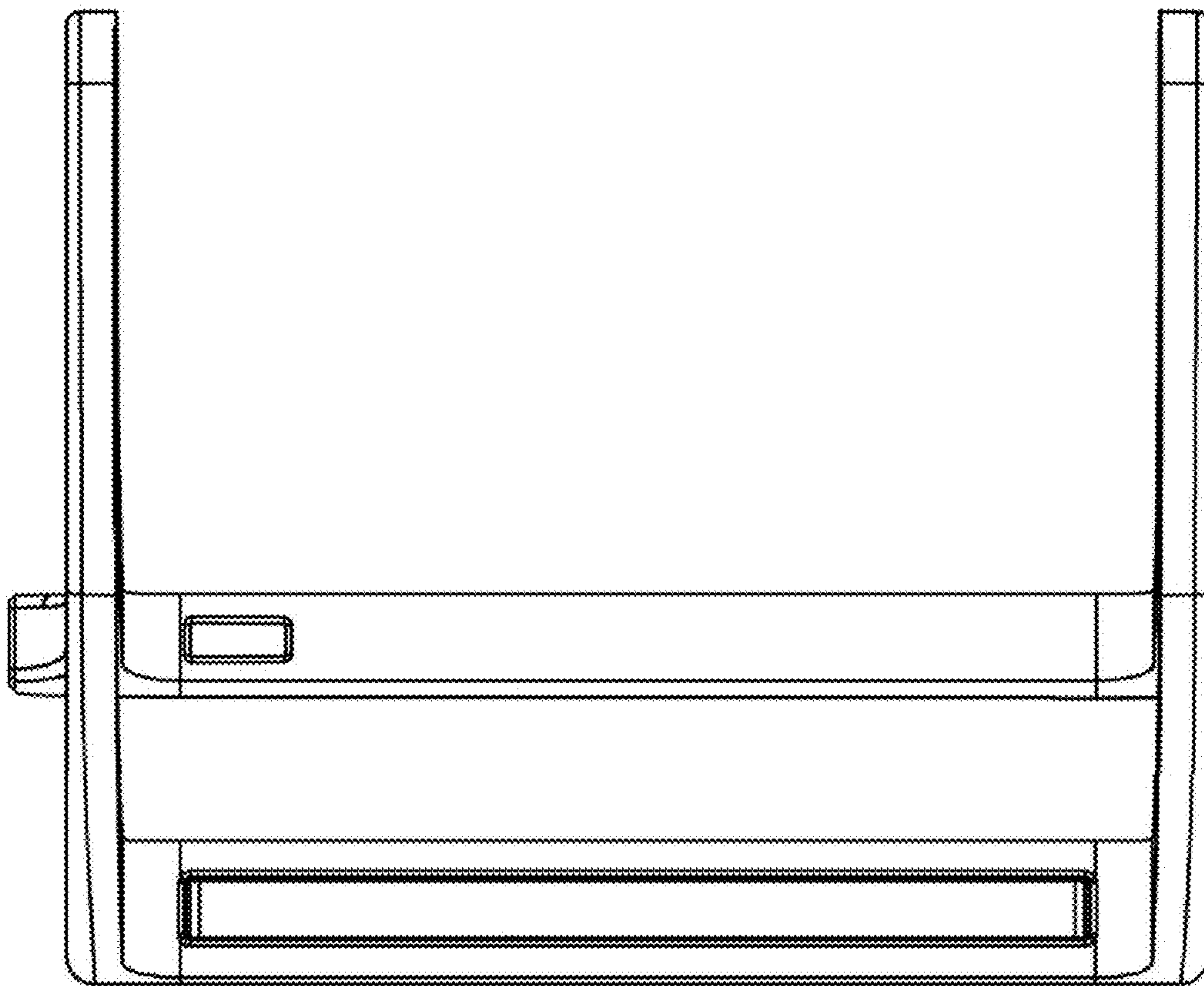


FIG. 2

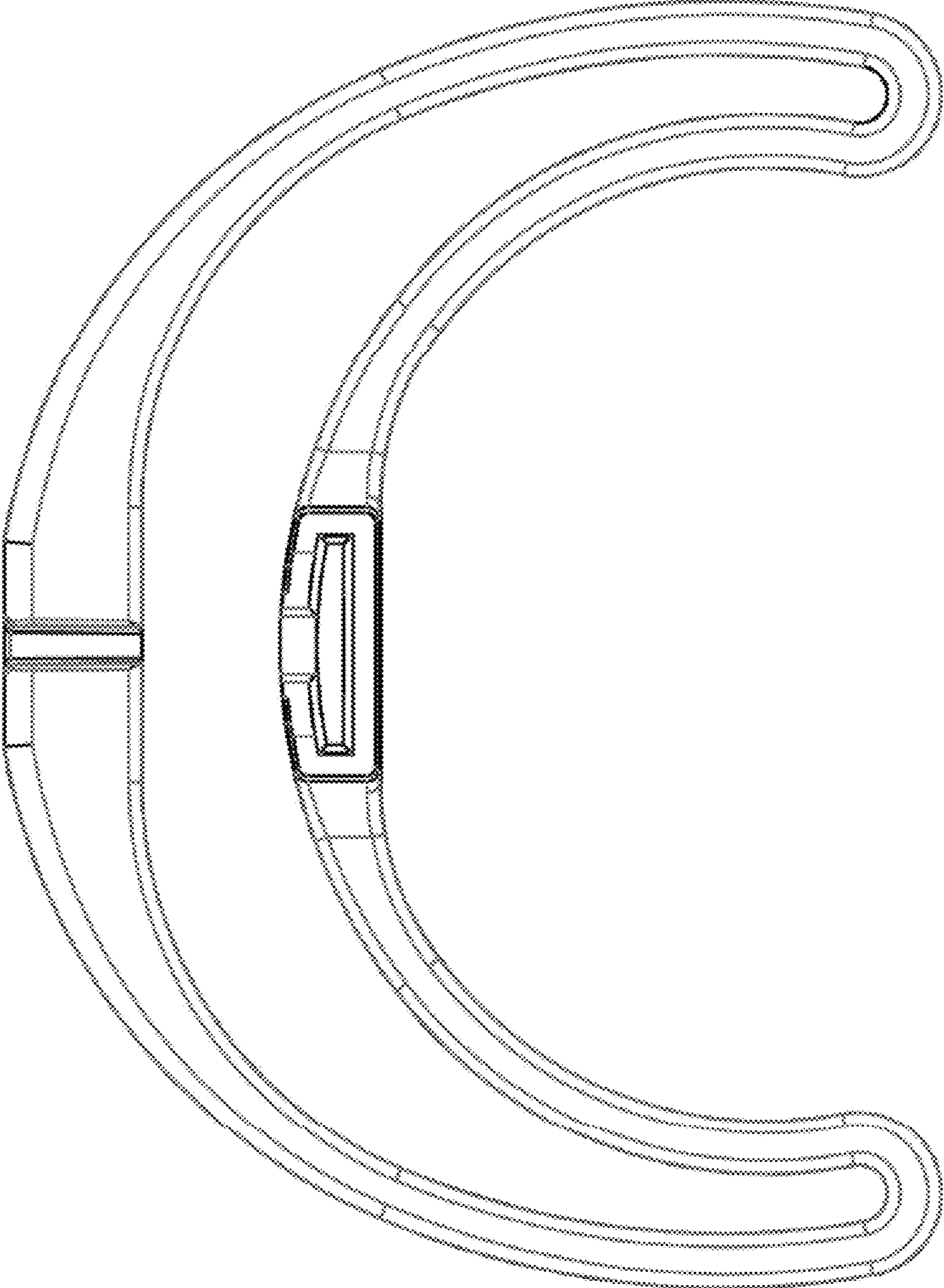


FIG. 3

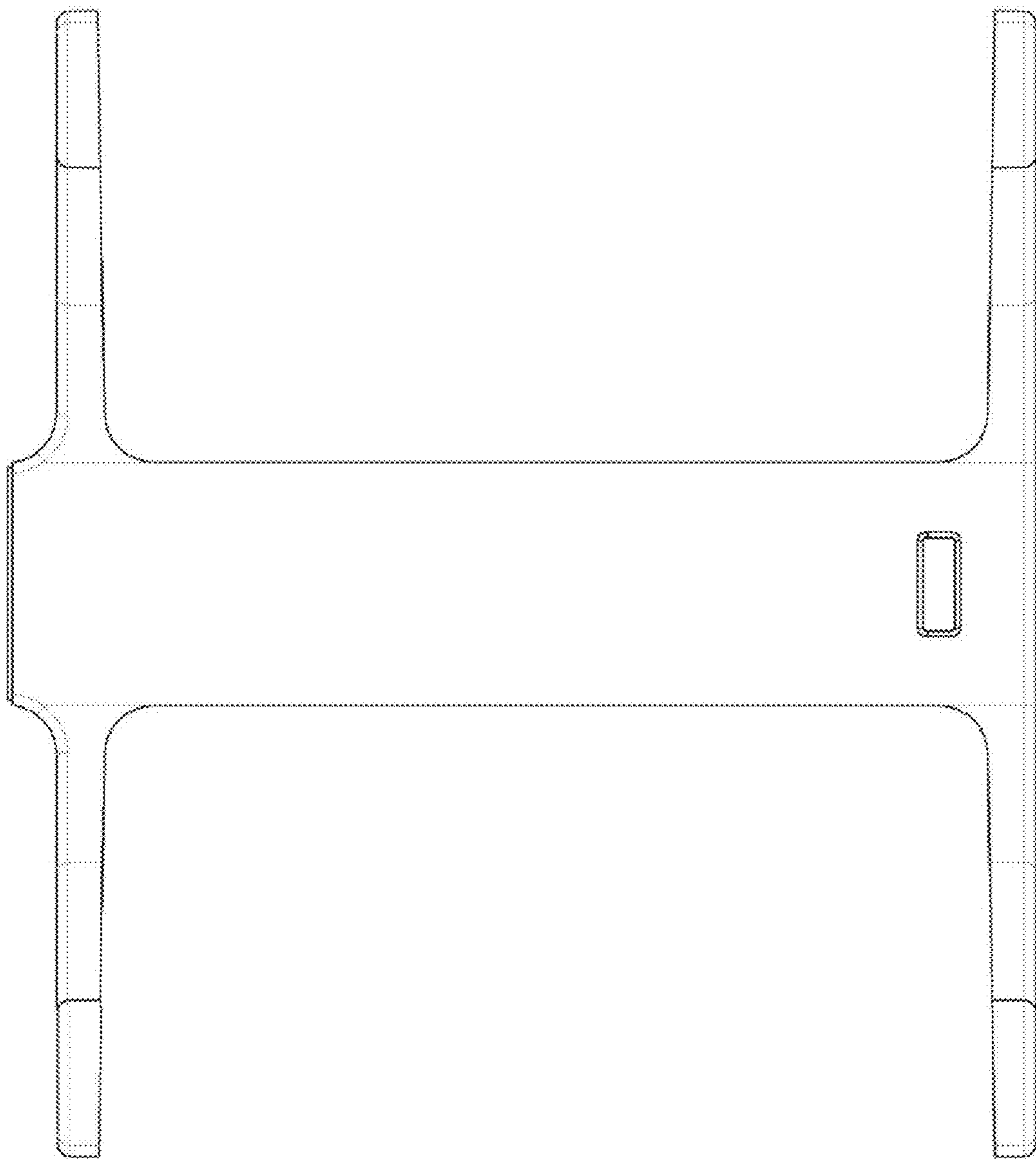


FIG. 4

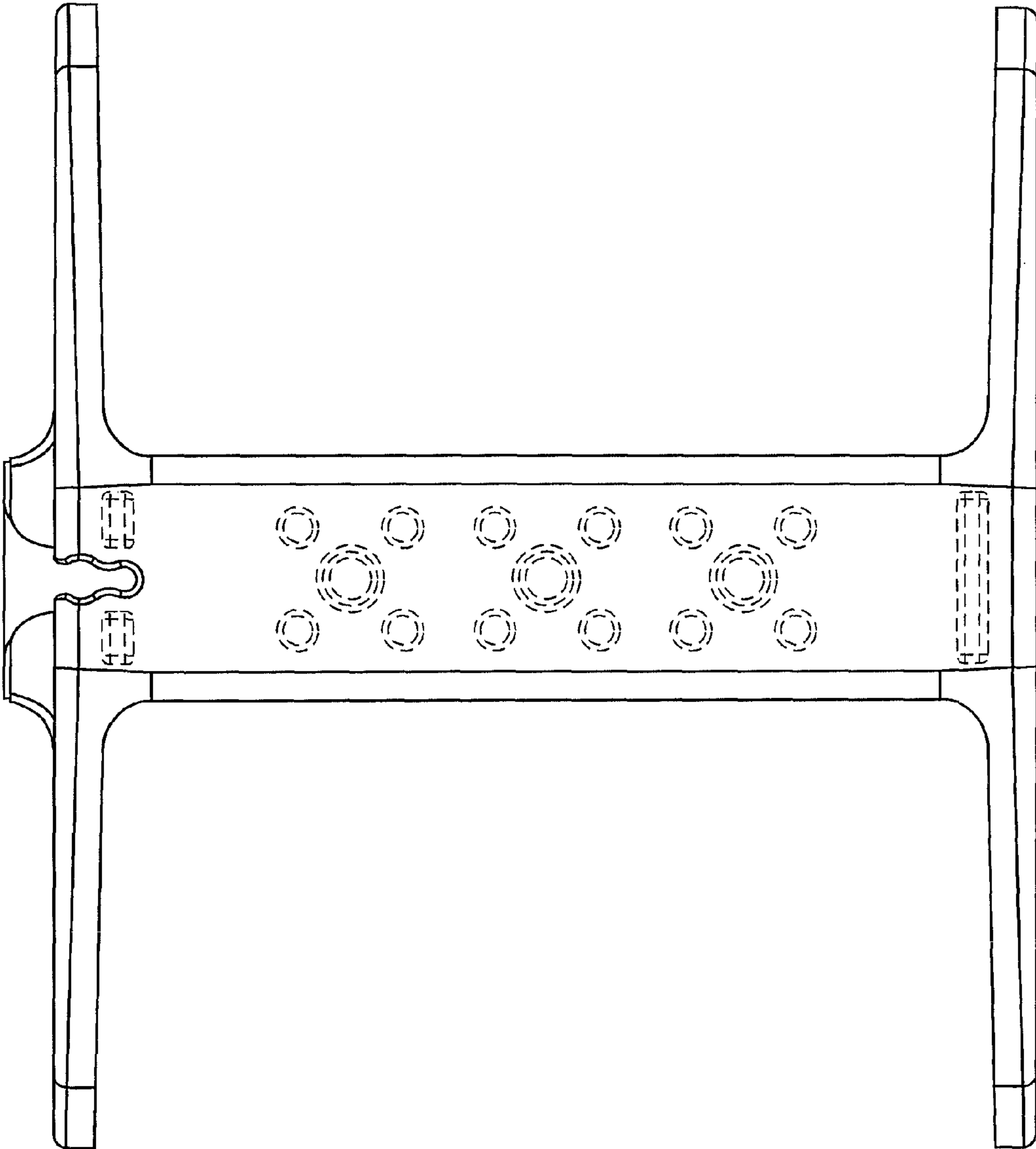


FIG. 5

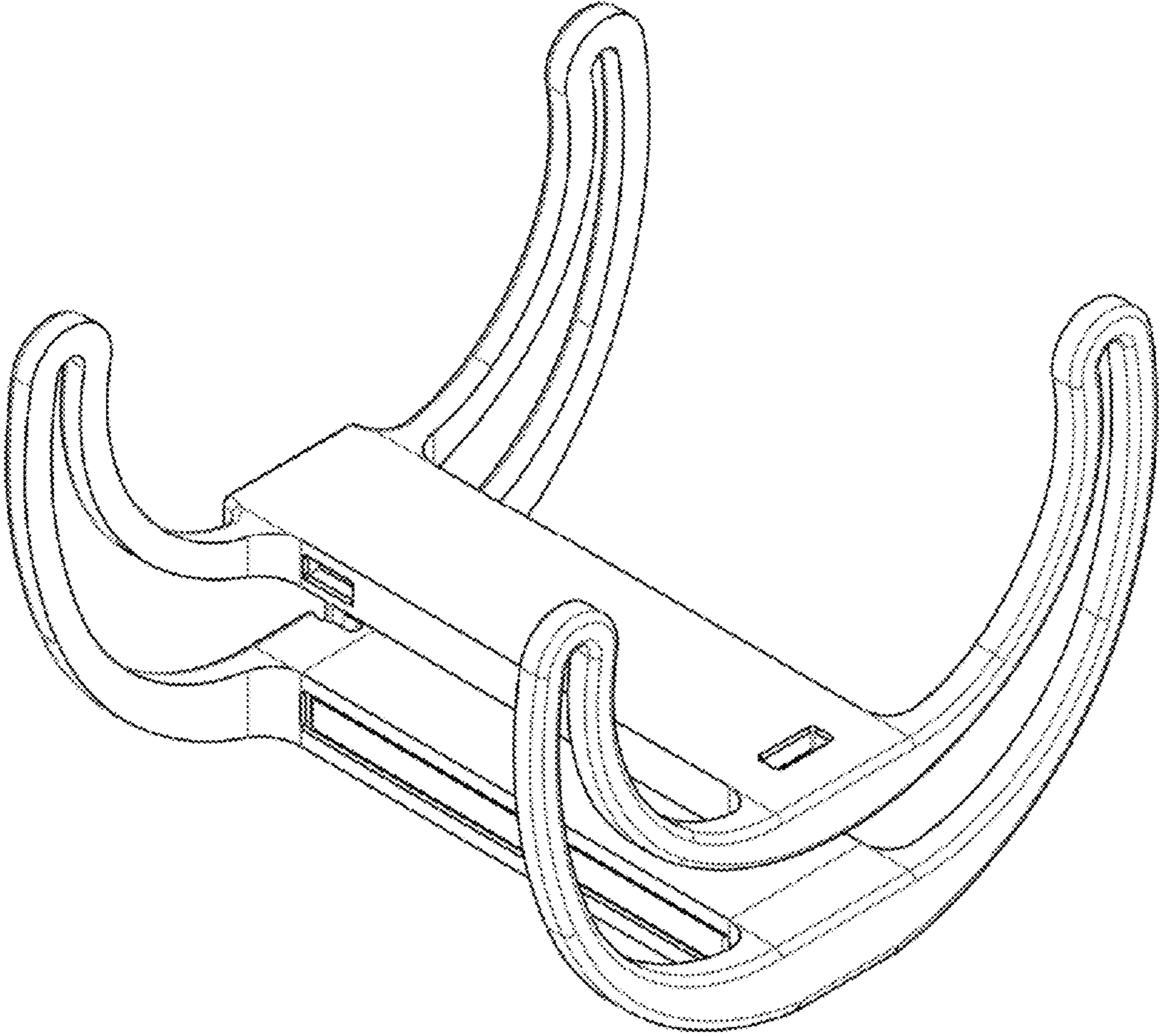


FIG. 6

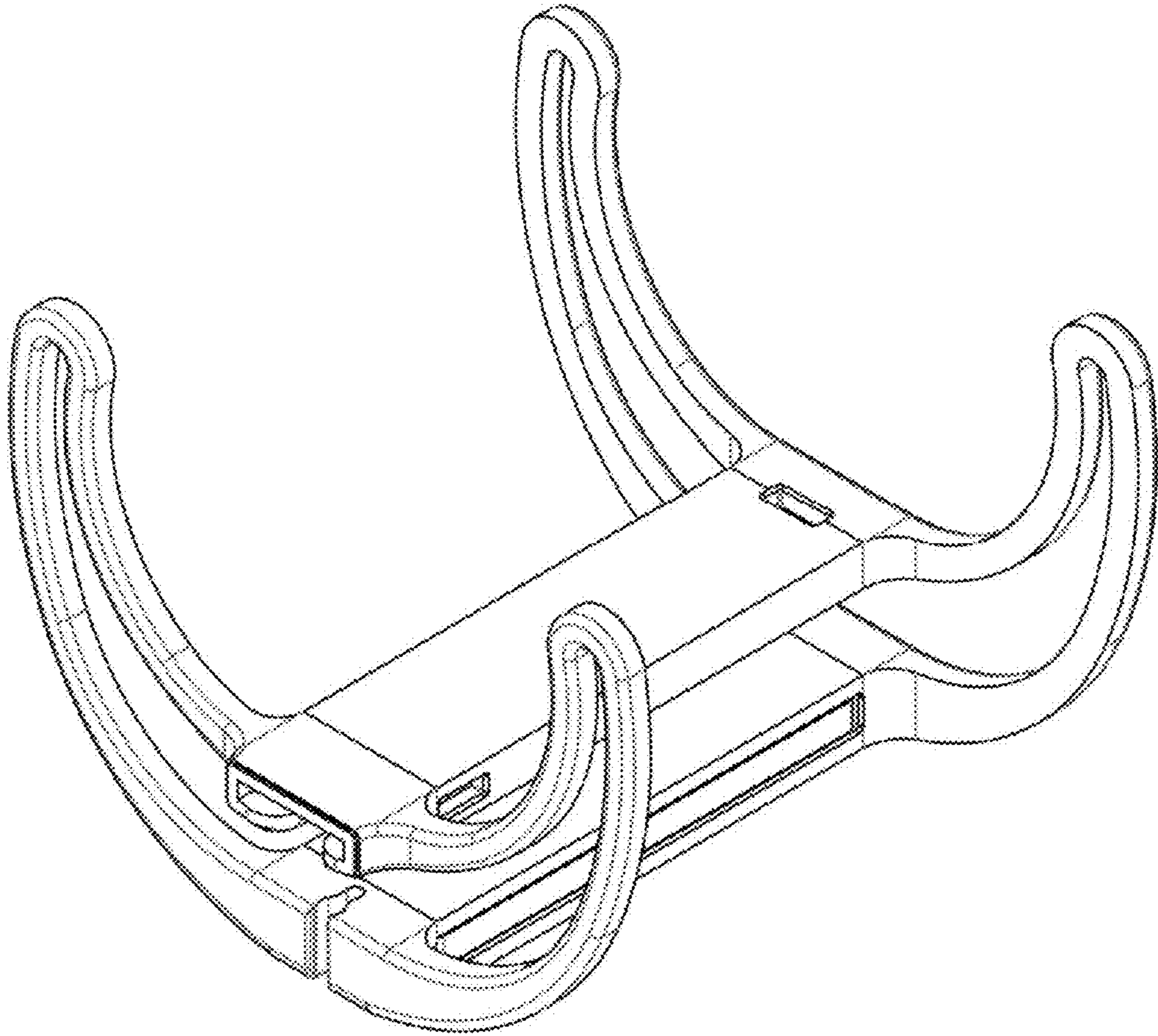


FIG. 7