



US00D737800S

(12) **United States Design Patent**
Aleksandrov

(10) **Patent No.:** **US D737,800 S**

(45) **Date of Patent:** **** Sep. 1, 2015**

(54) **LOUDSPEAKER**

(71) Applicant: **Coda Audio GmbH**, Hannover (DE)

(72) Inventor: **Svetlomir Aleksandrov**, Hannover (DE)

(73) Assignee: **Coda Audio GmbH**, Hannover (DE)

(**) Term: **14 Years**

(21) Appl. No.: **29/466,392**

(22) Filed: **Sep. 6, 2013**

(30) **Foreign Application Priority Data**

Jun. 12, 2013 (EM) 002253898-0001
Jun. 12, 2013 (EM) 002253898-0002
Jun. 12, 2013 (EM) 002253898-0003
Jun. 12, 2013 (EM) 002253898-0004

(51) **LOC (10) Cl.** **14-03**

(52) **U.S. Cl.**
USPC **D14/210**; D14/213

(58) **Field of Classification Search**
USPC D14/167, 168, 170–172, 188, 194–196,
D14/204, 207, 209.1, 210–216, 219, 221,
D14/222, 224, 496; 181/143, 144, 147, 148,
181/150, 153, 157, 198, 199; 381/300–303,
381/306, 332, 333, 336, 345, 361–364,
381/386–388; 369/6–12
CPC B60R 11/0217; G06F 1/1688; H04M 1/03;
H04M 1/035; H04R 1/02; H04R 1/06; H04R
1/021; H04R 1/025; H04R 1/026; H04R
1/028; H04R 1/105; H04R 1/323; H04R
1/403; H04R 1/2803; H04R 1/2834; H04R
5/02; H04R 7/20; H04R 9/06; H04R 9/025;
H04R 2201/021; H04R 2400/00; H04R
2400/07; H04R 2499/11; H04R 2499/13;
H04R 2499/15; H04S 3/00; H04S 7/30
See application file for complete search history.

(56) **References Cited**

U.S. PATENT DOCUMENTS

D179,825 S * 3/1957 Glibert Van Voorhis D28/89
D364,165 S * 11/1995 Esslinger D14/213

(Continued)

Primary Examiner — Keli L Hill

(74) *Attorney, Agent, or Firm* — Whitham Curtis
Christofferson & Cook, PC

(57) **CLAIM**

I claim the ornamental design for loudspeaker, as shown and
described.

DESCRIPTION

FIG. 1 is a front elevational view of a first embodiment of a
loudspeaker, a rear elevational view, left side elevational
view, and right side elevational view being identical;

FIG. 2 is a top plan view of the first embodiment of a loud-
speaker;

FIG. 3 is a bottom plan view of the first embodiment of a
loudspeaker;

FIG. 4 is a front, top, side isometric view of the first embodi-
ment of a loudspeaker, a rear, top, side isometric view being
identical;

FIG. 5 is a front elevational view of a second embodiment of
a loudspeaker, a rear elevational view, left side elevational
view, and right side elevational view being identical;

FIG. 6 is a top plan view of the second embodiment of a
loudspeaker;

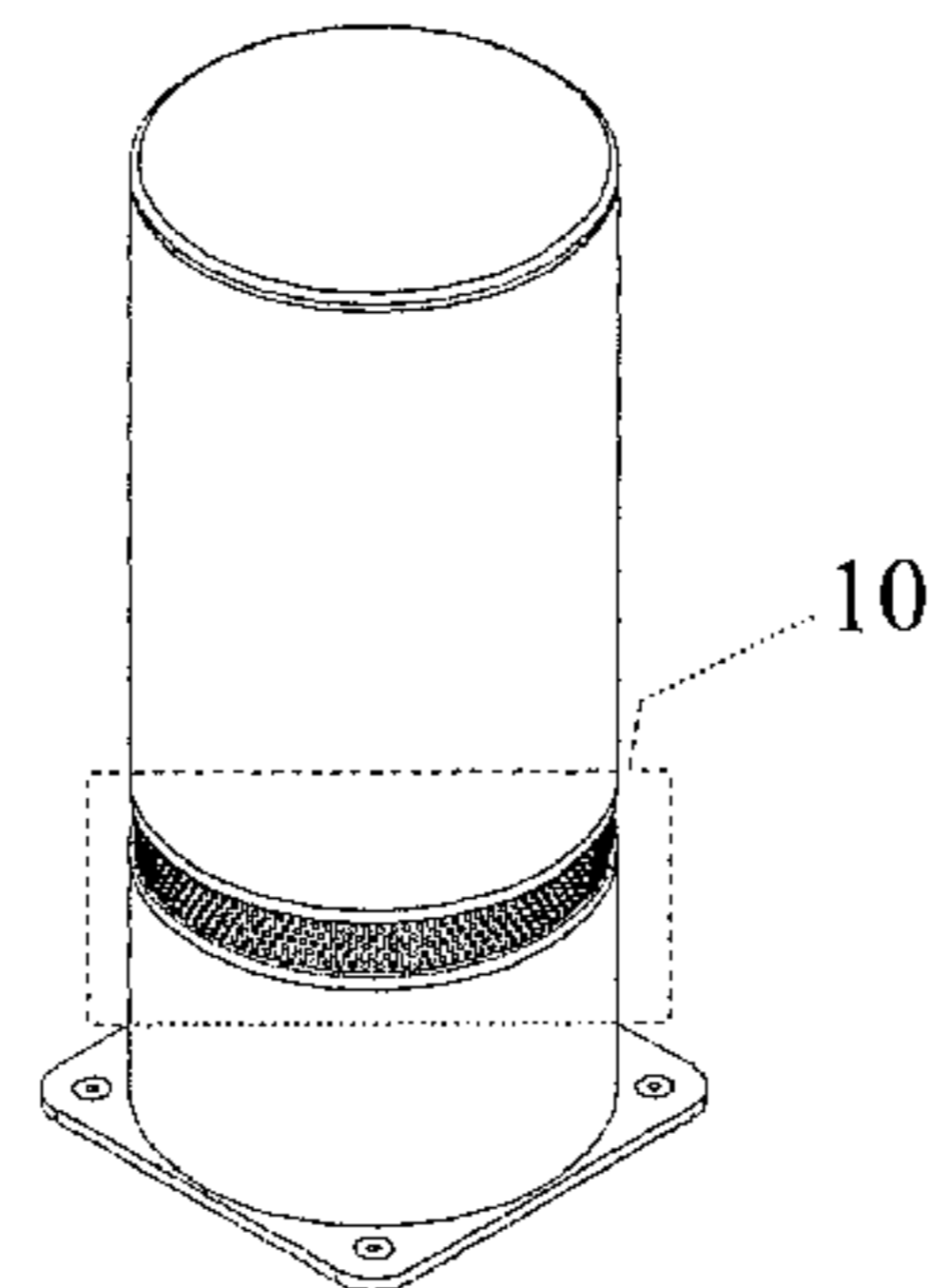
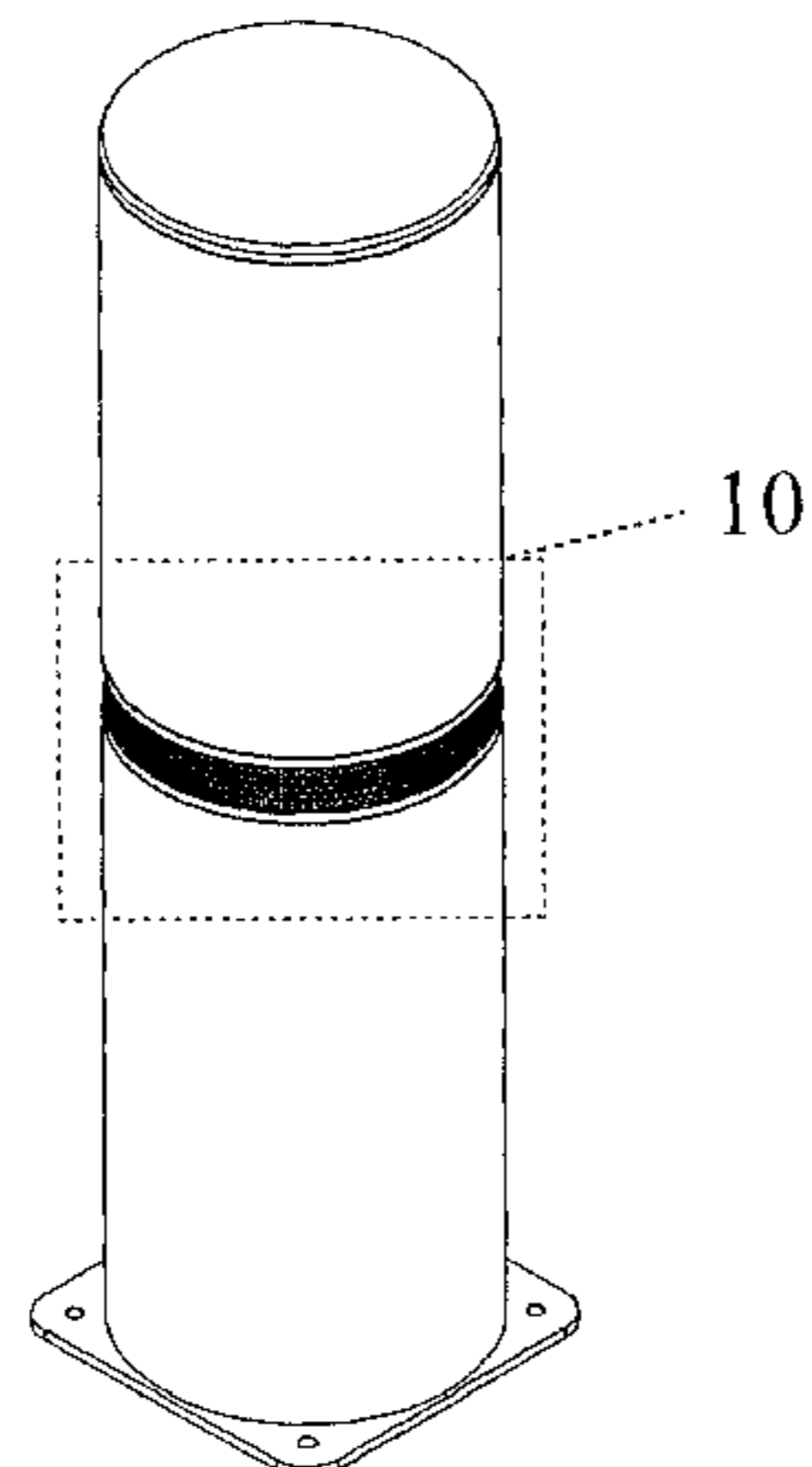
FIG. 7 is a bottom plan view of the second embodiment of a
loudspeaker;

FIG. 8 is a front, top, side isometric view of the second
embodiment of a loudspeaker, a rear, top, side isometric view
being identical;

FIG. 9 is an enlarged front elevational view of a portion of a
loudspeaker as shown in FIGS. 1 at box 9 and 5 at box 9; and,

FIG. 10 is an enlarged isometric view of a portion of a loud-
speaker as shown in FIGS. 4 at box 10 and 8 at box 10.

1 Claim, 3 Drawing Sheets



(56)

References Cited

U.S. PATENT DOCUMENTS

D496,381 S * 9/2004 McDonald D16/203
D530,311 S * 10/2006 Shake D14/216
D563,391 S * 3/2008 Skurdal D14/216
D570,545 S * 6/2008 Althoff et al. D28/76

D608,760 S * 1/2010 Xie D14/188
D609,718 S * 2/2010 Chang et al. D14/496
D687,017 S * 7/2013 Ashcraft et al. D14/216
D697,496 S * 1/2014 Ashcraft et al. D14/216
D709,118 S * 7/2014 Yu D16/204

* cited by examiner

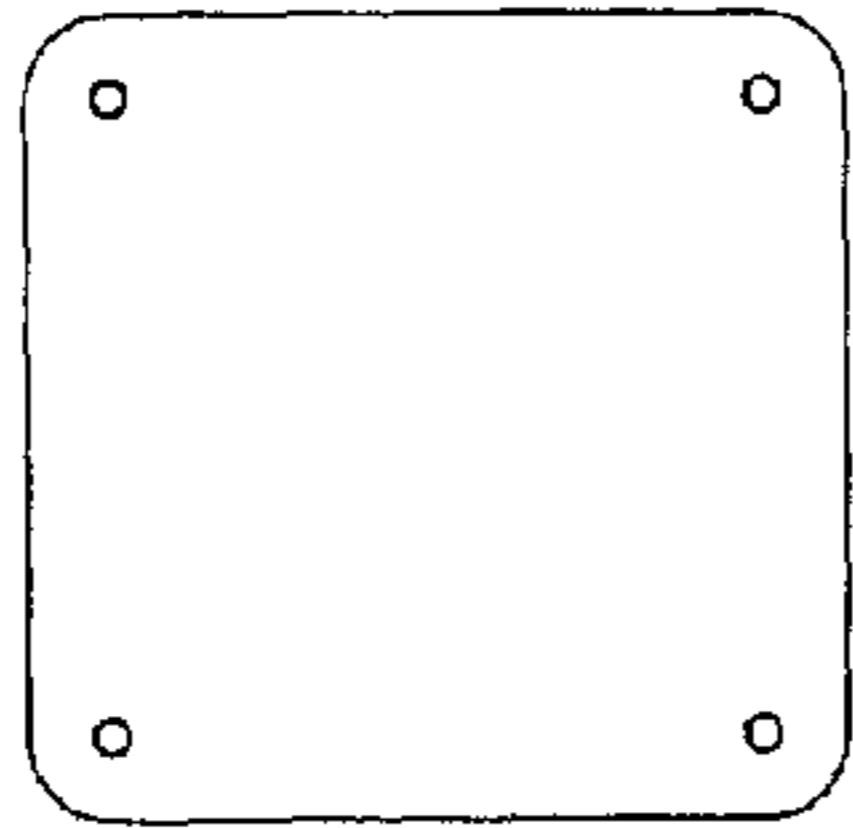


FIG. 3

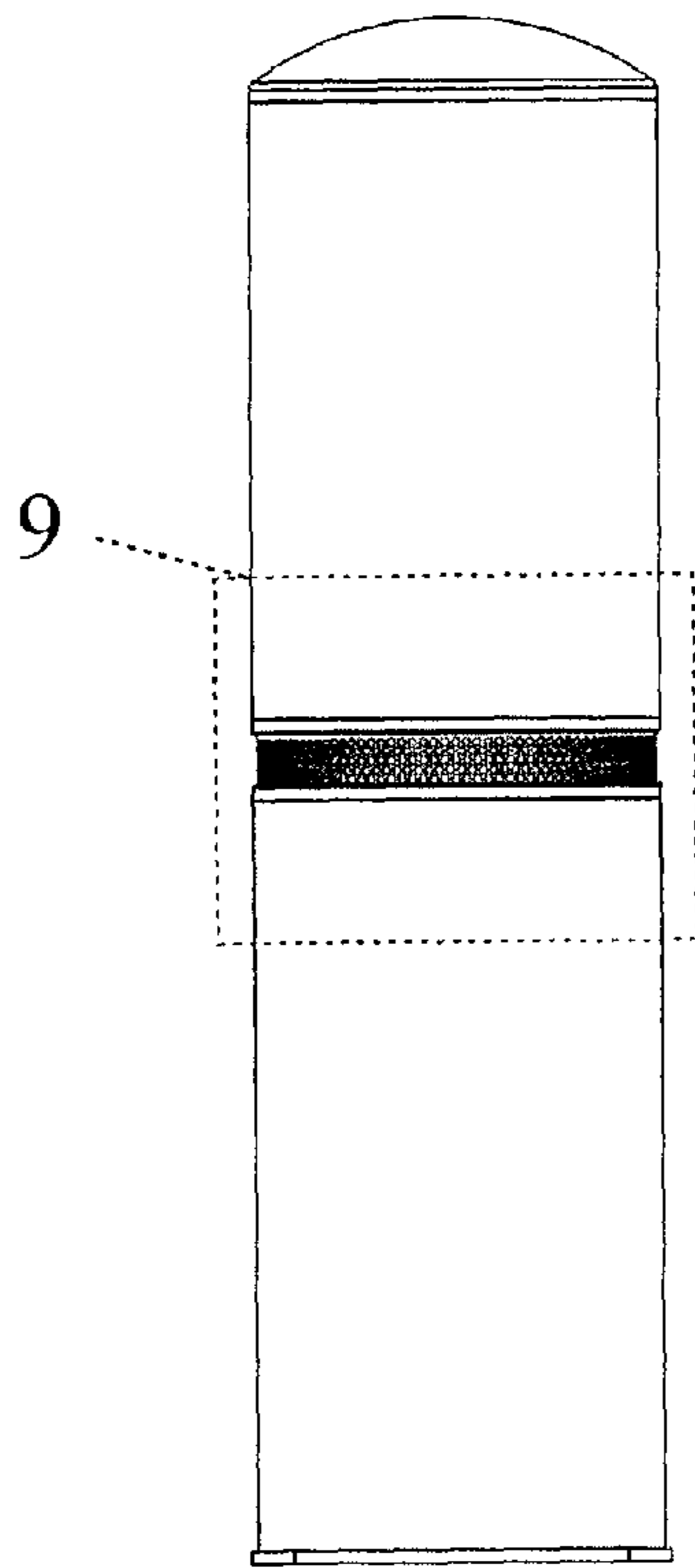


FIG. 1

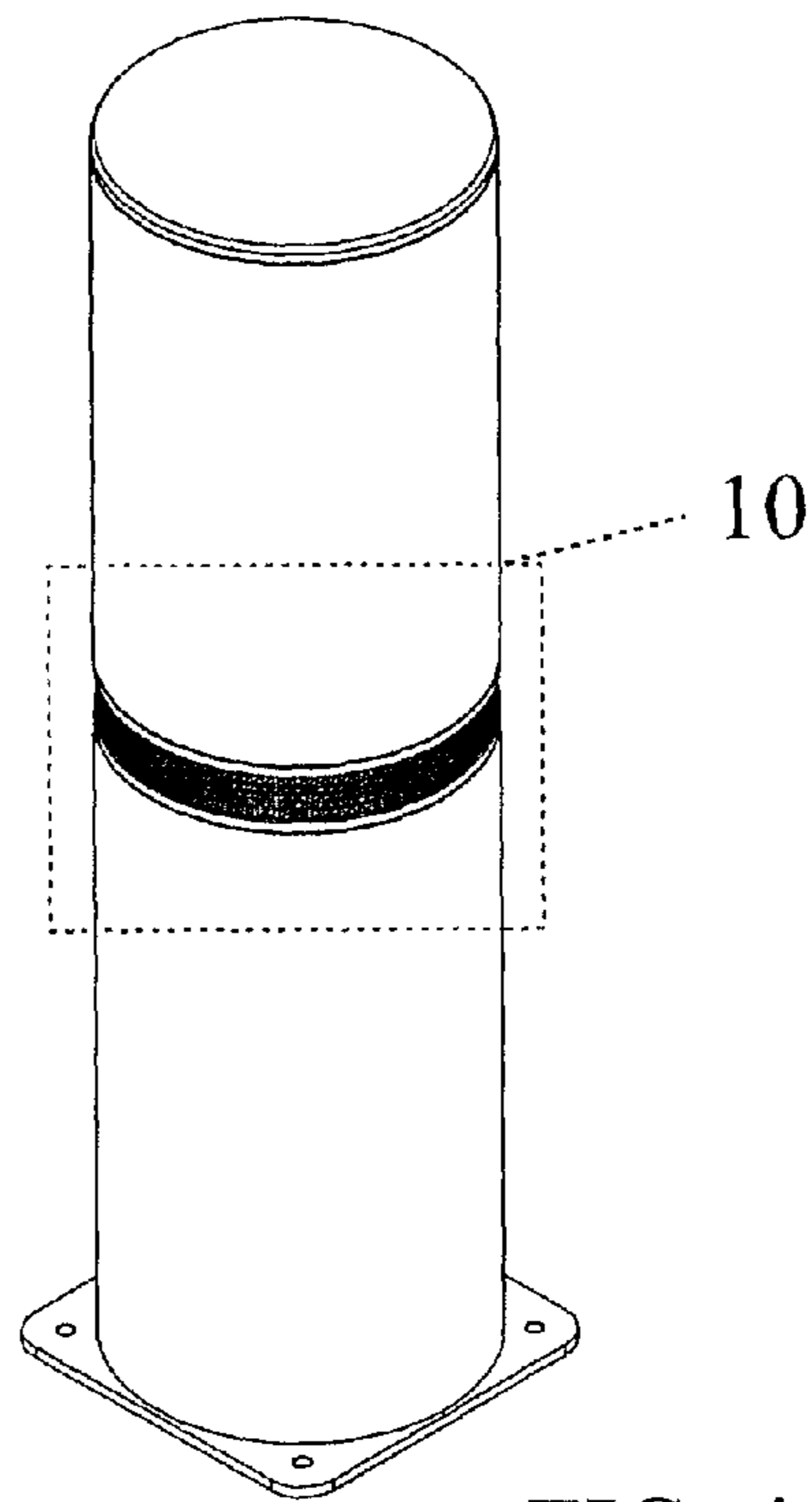


FIG. 4

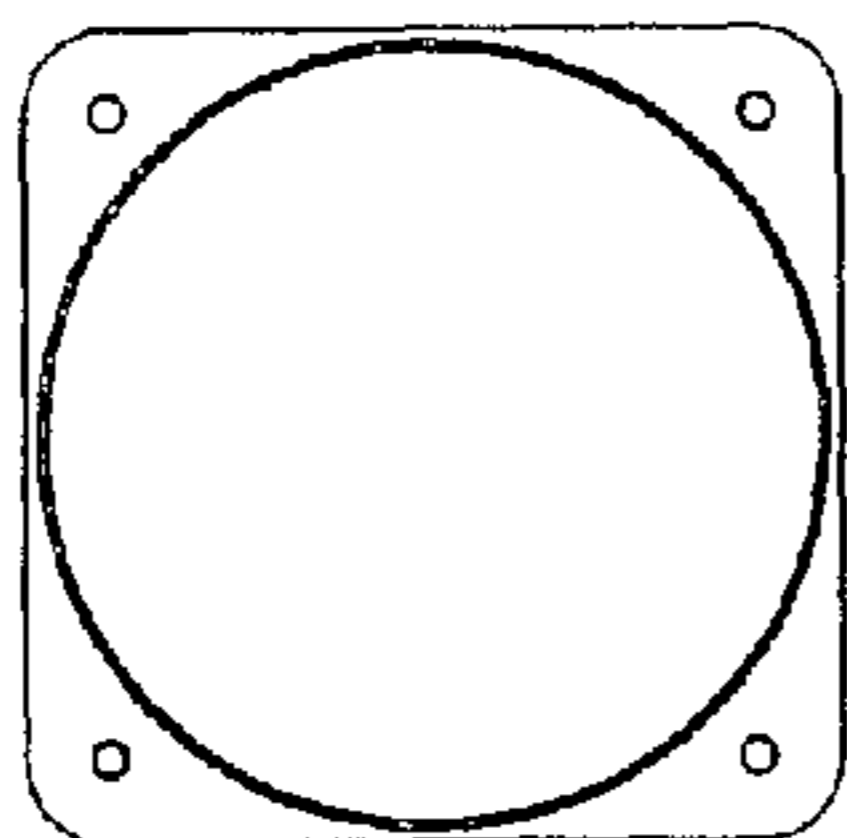


FIG. 2

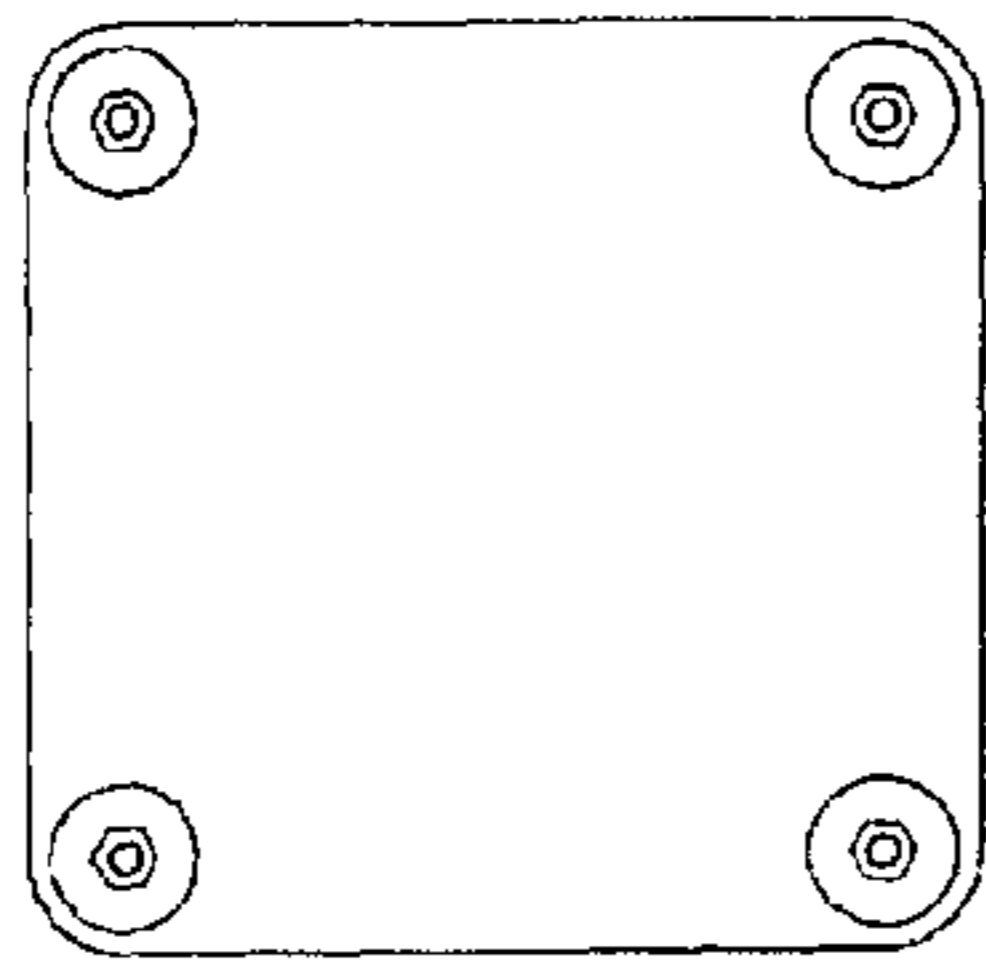


FIG. 7

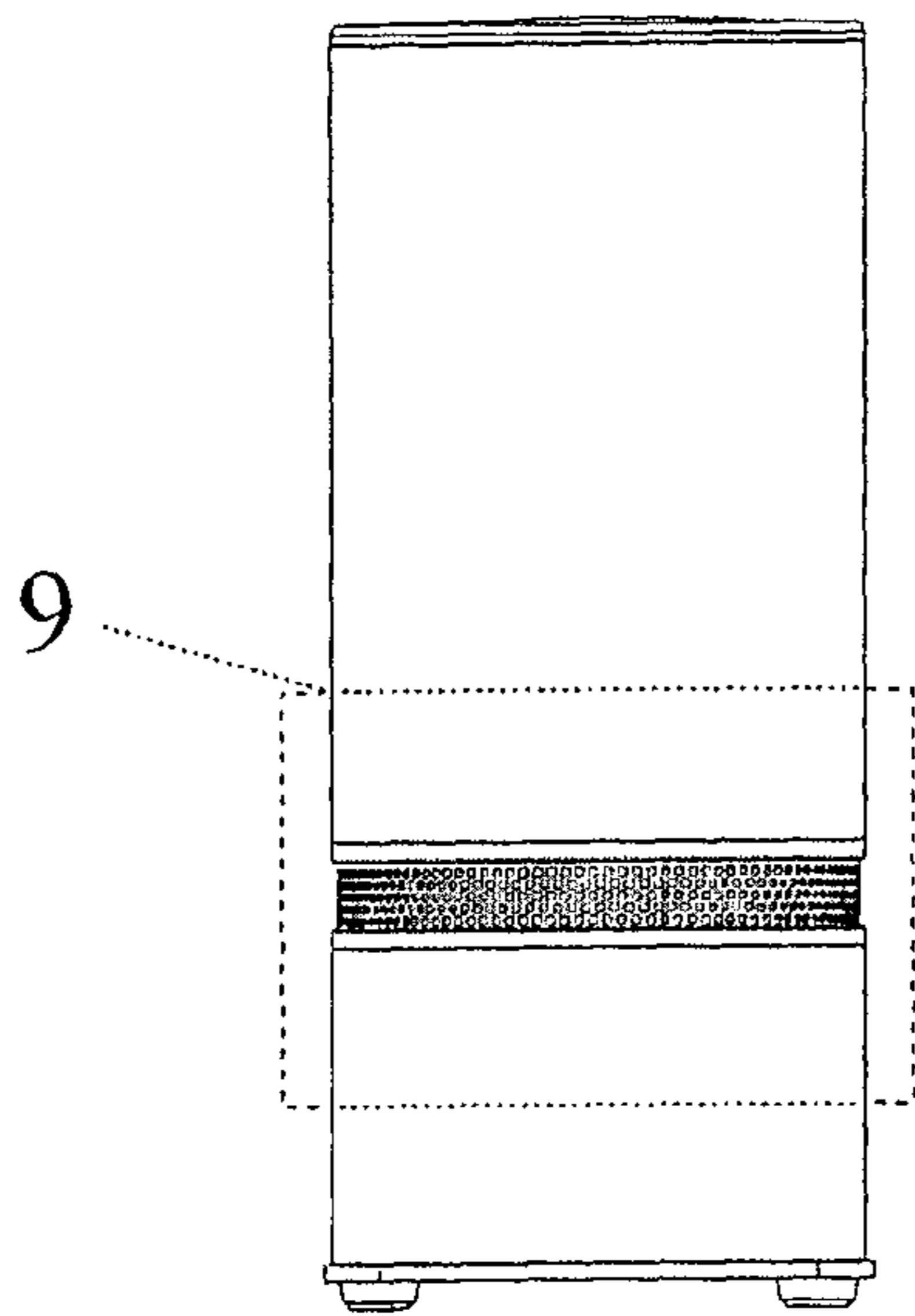


FIG. 5

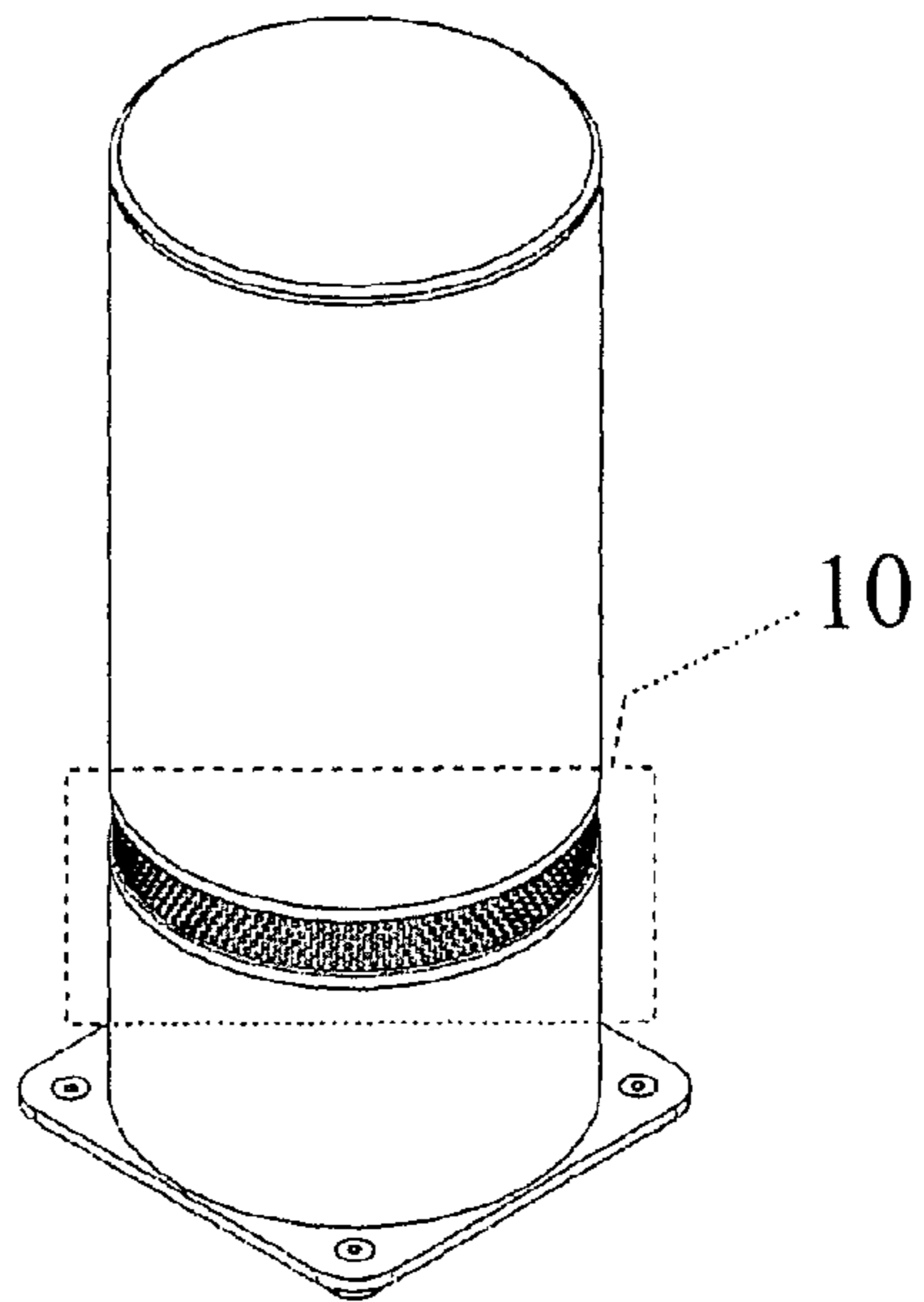


FIG. 8

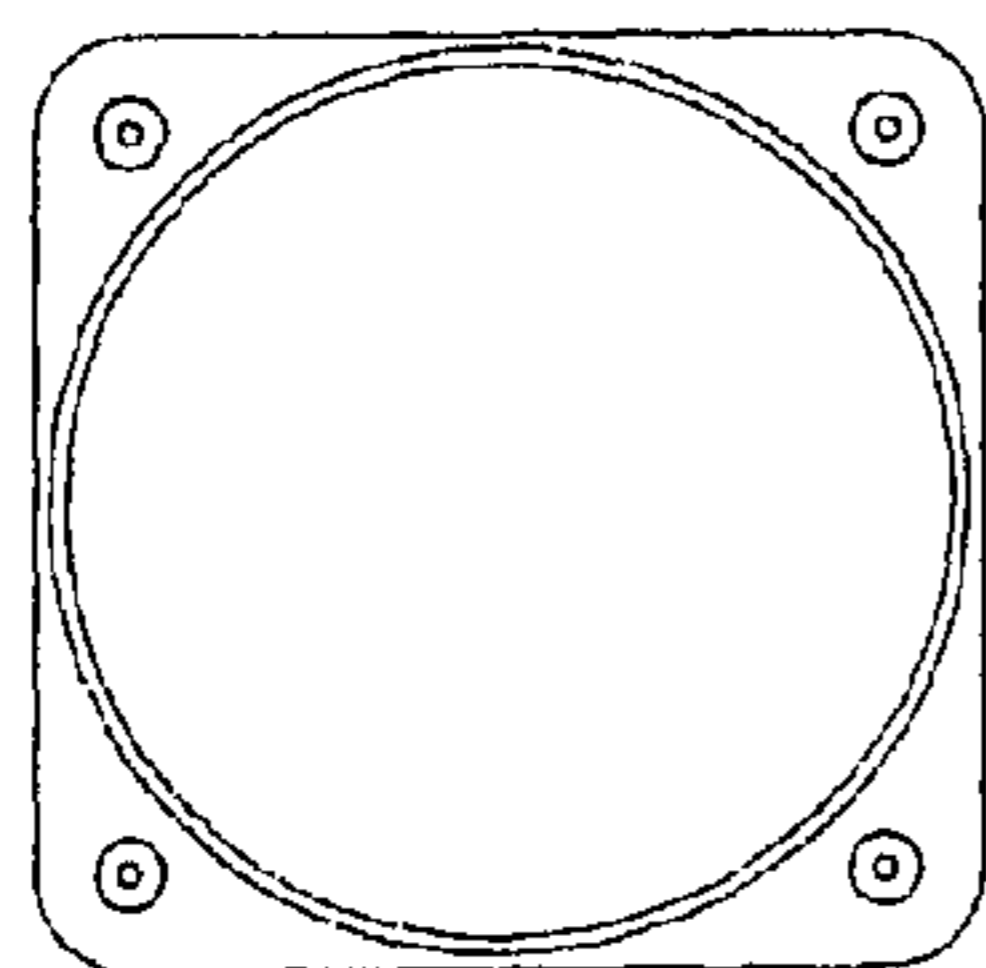


FIG. 6

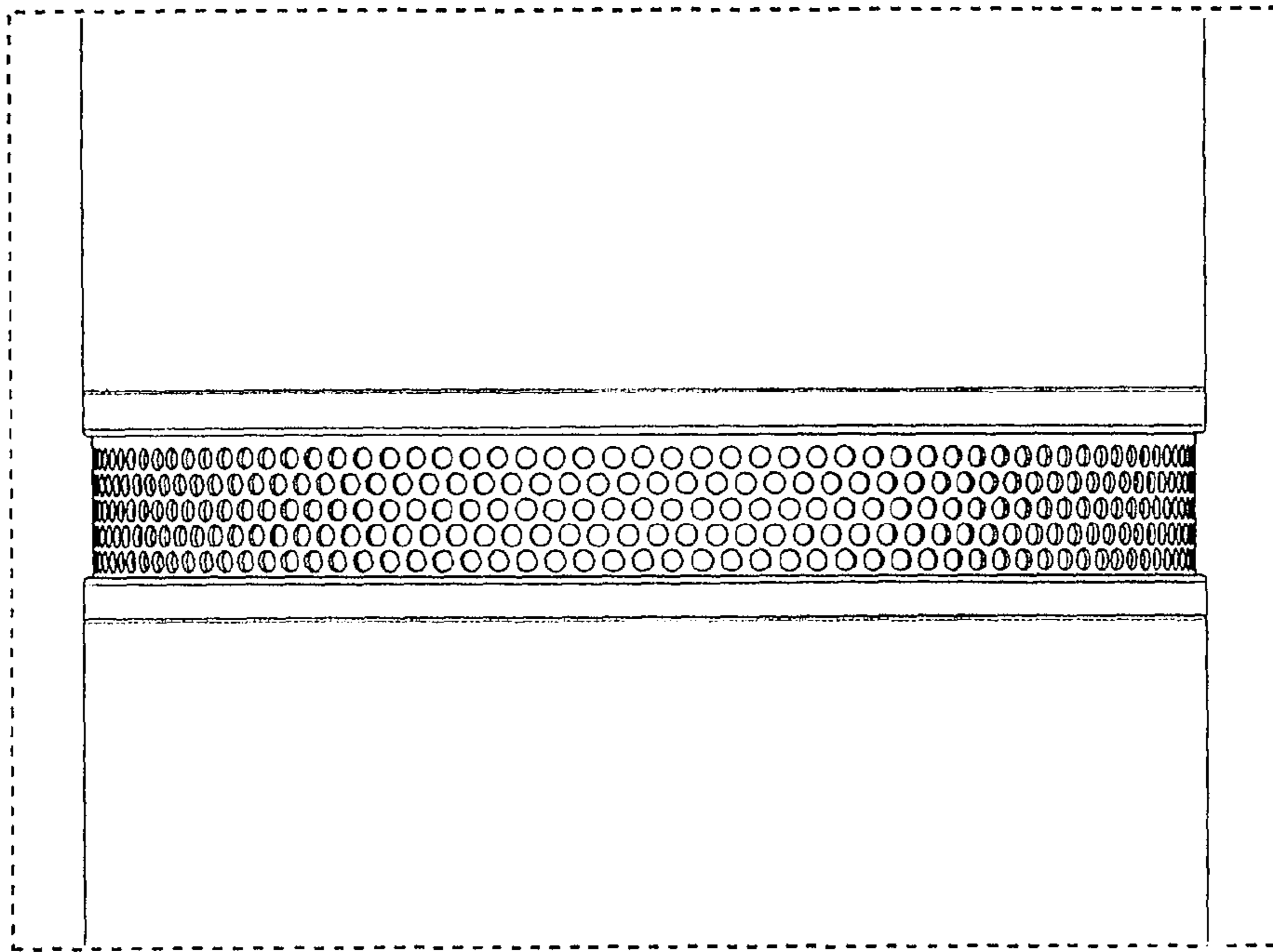


FIG. 9

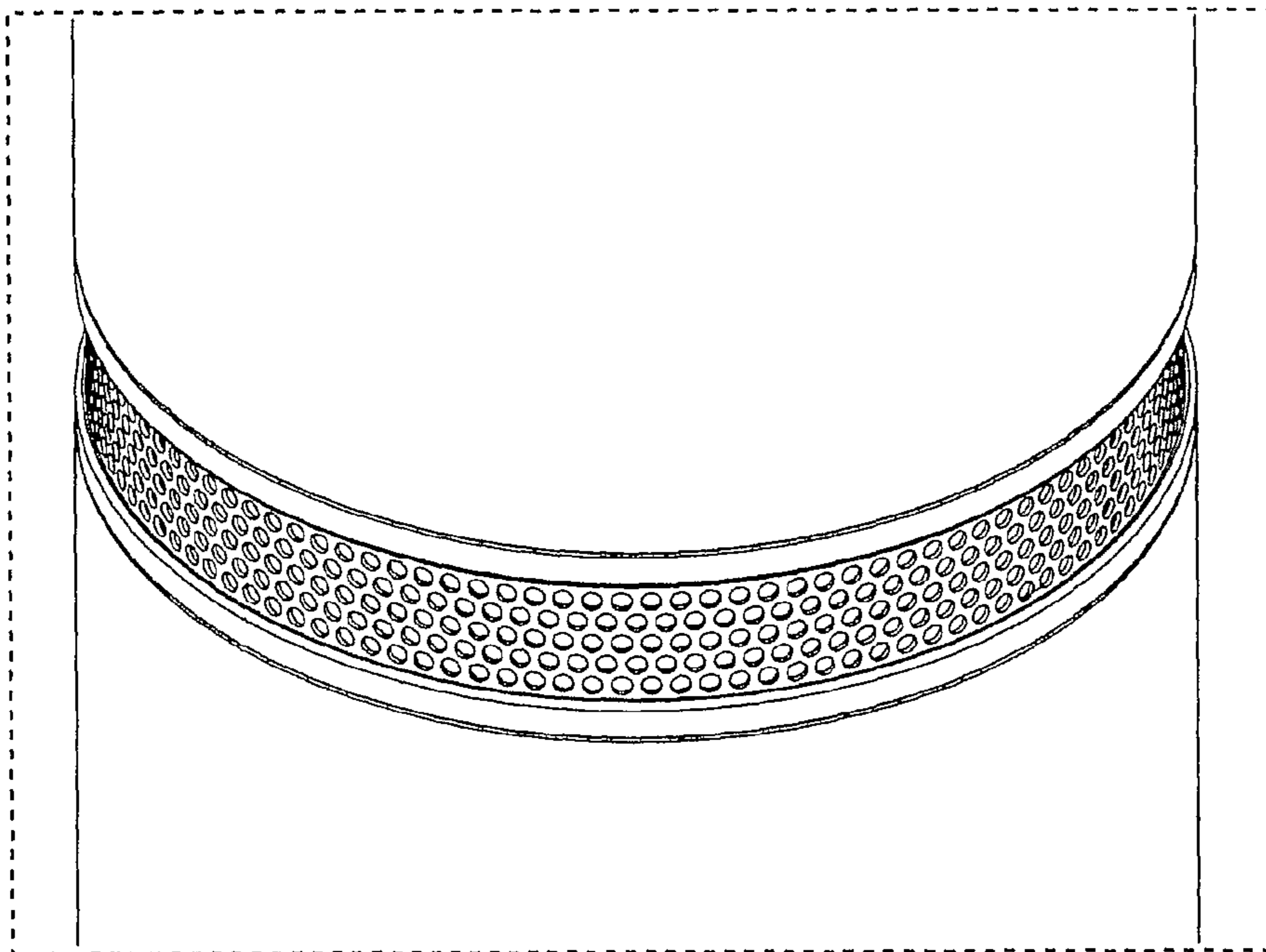


FIG. 10