



US00D737799S

(12) **United States Design Patent**
Carr et al.

(10) **Patent No.:** **US D737,799 S**
(45) **Date of Patent:** **** Sep. 1, 2015**

- (54) **HEADPHONE EAR CUPS**
- (71) Applicant: **Bose Corporation**, Framingham, MA (US)
- (72) Inventors: **Adam A. Carr**, Southborough, MA (US); **Stephen D. Boyle**, Newton, MA (US); **Joshua Kevin Dryden**, Marlborough, MA (US); **Kevin M. Krauss**, Sudbury, MA (US); **Michael E. Laude**, Upton, MA (US); **Nathan David Schaal**, Cambridge, MA (US); **Mitchell Joseph Silva**, Groton, MA (US); **Julie E. Tierney**, Shrewsbury, MA (US)
- (73) Assignee: **Bose Corporation**, Framingham, MA (US)
- (**) Term: **14 Years**
- (21) Appl. No.: **29/503,997**
- (22) Filed: **Oct. 1, 2014**

Related U.S. Application Data

- (62) Division of application No. 29/475,707, filed on Dec. 5, 2013, now Pat. No. Des. 721,052.
- (51) **LOC (10) Cl.** **14-01**
- (52) **U.S. Cl.**
USPC **D14/205**
- (58) **Field of Classification Search**
USPC D14/205; 181/129, 130, 135; 379/430, 379/431; 381/380, 381, 371, 379; 455/90.3, 455/575.1
CPC H04R 1/1066
See application file for complete search history.

(56) **References Cited**

U.S. PATENT DOCUMENTS

- 1,648,832 A * 11/1927 Urban 181/129
- 3,505,684 A * 4/1970 Hutchinson et al. 2/209

- 3,562,816 A * 2/1971 Hutchinson 2/209
- 3,787,899 A * 1/1974 Krawagna 2/209
- 3,815,155 A * 6/1974 Davison et al. 2/209
- D328,461 S * 8/1992 Daido et al. D14/205
- D353,817 S * 12/1994 Wada D14/205
- 5,406,037 A * 4/1995 Nageno et al. 181/129
- D549,688 S * 8/2007 Suzuki D14/205
- D573,581 S * 7/2008 Gondo et al. D14/205
- D581,394 S * 11/2008 Lee D14/205
- D585,871 S * 2/2009 Lee D14/205

(Continued)

OTHER PUBLICATIONS

<http://usa.denon.com/us/product/Headphones/CriticalListening/AHD1100>, retrieved May 8, 2015.

Primary Examiner — Paula Greene

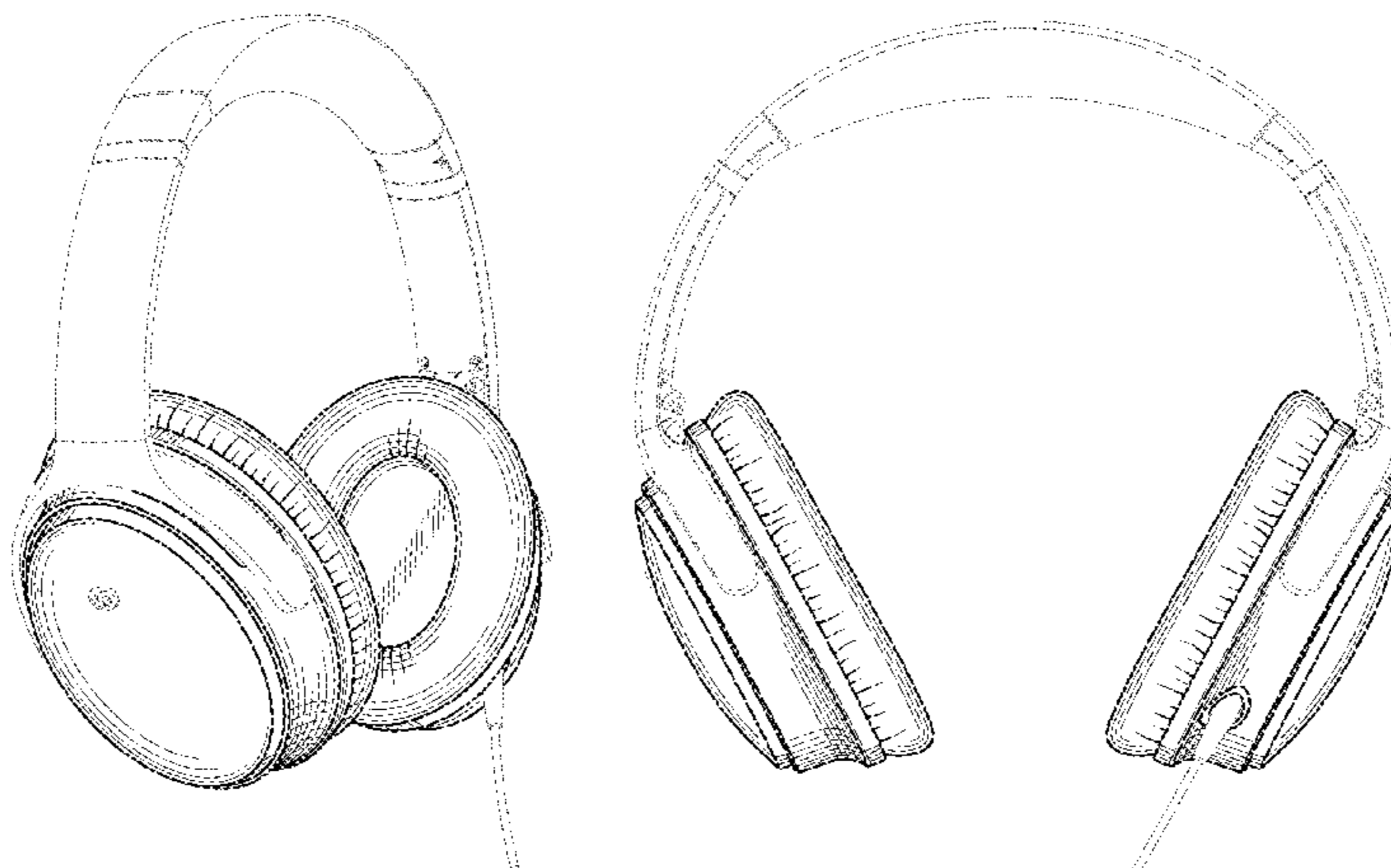
(57) **CLAIM**

The ornamental design for headphone ear cups, substantially as shown and described.

DESCRIPTION

FIG. 1 is a perspective view of a set of headphone ear cups as seen from the front and left side;
 FIG. 2 is a perspective view thereof as seen from the front and right side;
 FIG. 3 is a front view thereof;
 FIG. 4 is a back view thereof;
 FIG. 5 is a left side view thereof;
 FIG. 6 is a right side view thereof;
 FIG. 7 is a perspective view thereof as seen from the left side and bottom;
 FIG. 8 is a perspective view thereof as seen from the right side and bottom;
 FIG. 9 is a top end view thereof; and,
 FIG. 10 is a bottom end view thereof.
 The dotted line portions of the drawings represent environmental structure only and do not form part of the claimed design.

1 Claim, 8 Drawing Sheets



(56)

References Cited

U.S. PATENT DOCUMENTS

D585,872 S *	2/2009	Lee	D14/205	D662,080 S *	6/2012	Carr et al.	D14/205
D594,847 S *	6/2009	Suzuki	D14/205	D678,860 S *	3/2013	Hagelin	D14/205
D603,370 S *	11/2009	Suzuki	D14/205	D683,329 S *	5/2013	Hagelin	D14/205
D637,579 S *	5/2011	Hamaura et al.	D14/205	8,620,007 B2 *	12/2013	Lee et al.	381/104
D642,554 S *	8/2011	Schaal et al.	D14/205	D721,052 S *	1/2015	Carr et al.	D14/205
8,098,872 B2 *	1/2012	Chang	381/371	D722,589 S *	2/2015	Lu	D14/205
					D722,590 S *	2/2015	Lu	D14/205
					D729,194 S *	5/2015	Boeckel et al.	D14/205

* cited by examiner

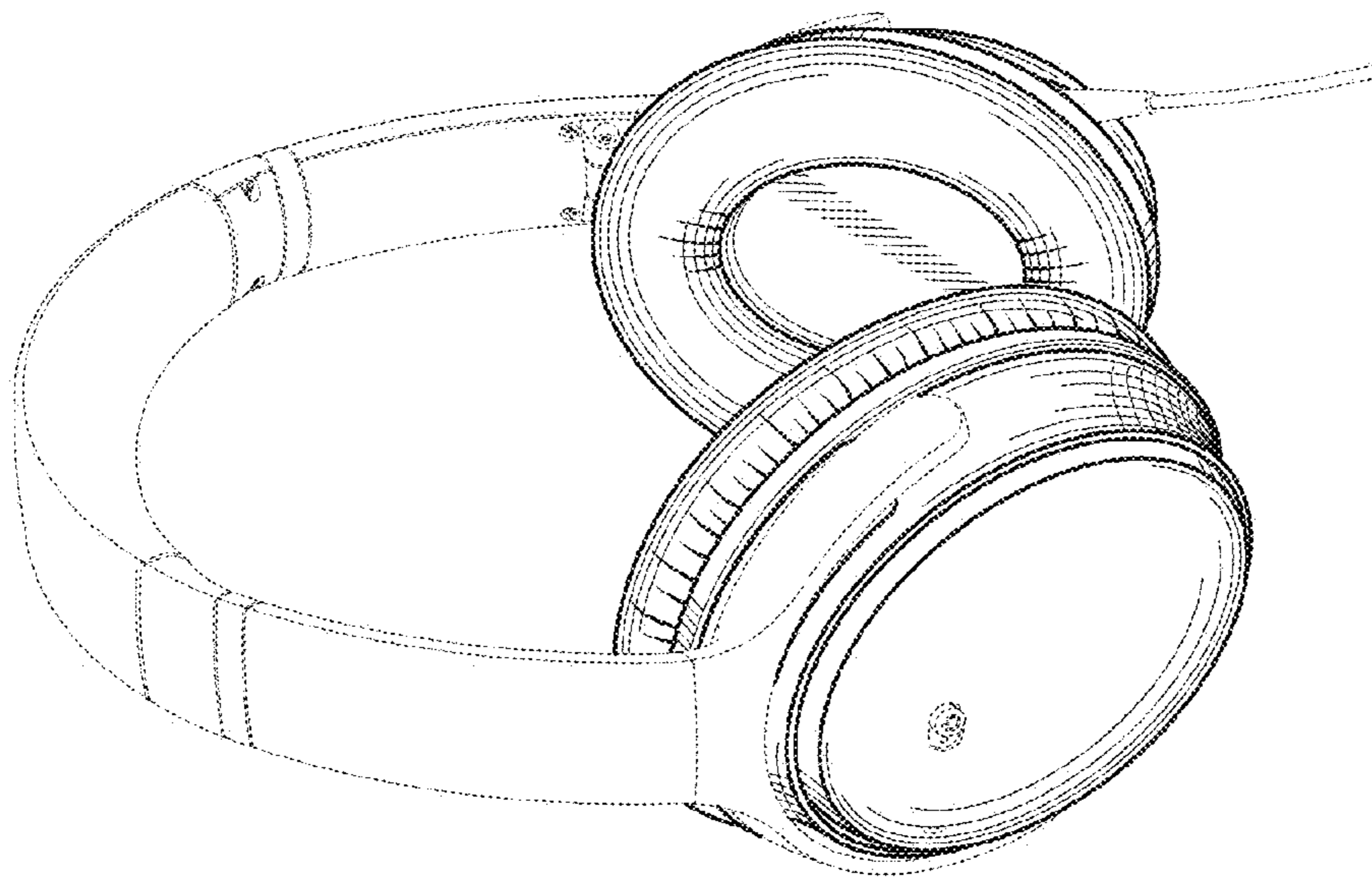


FIG. 1

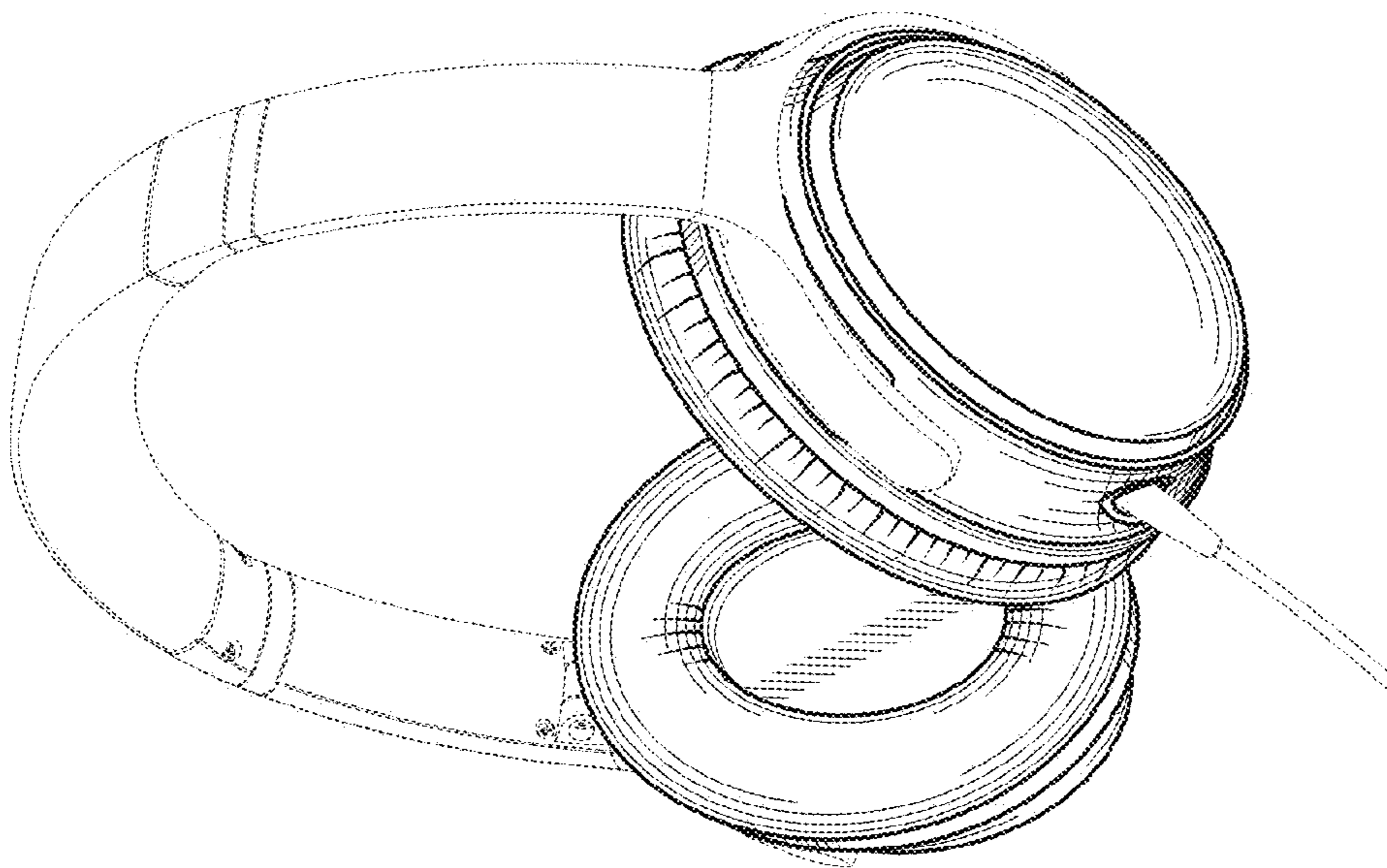


FIG. 2

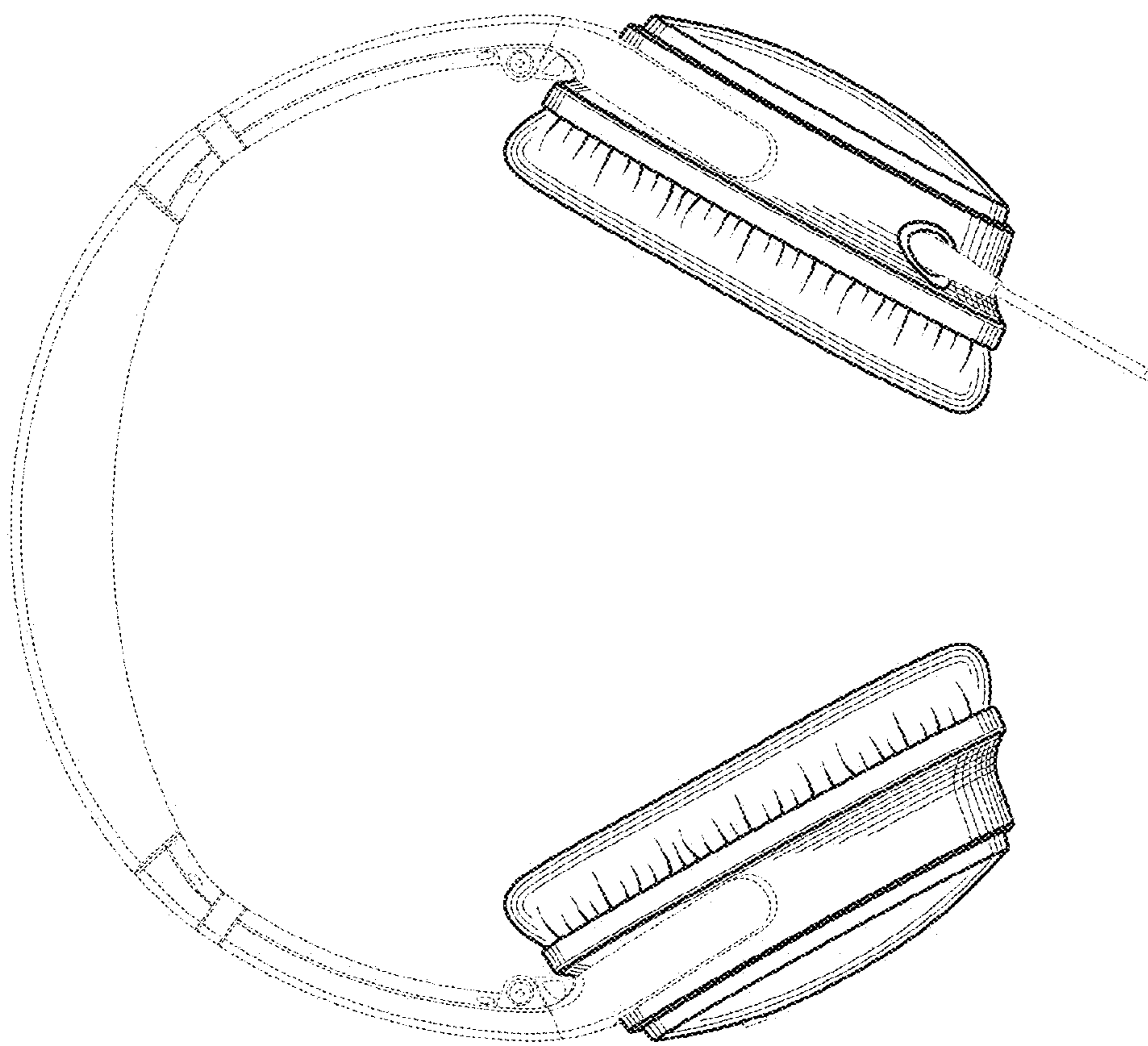


FIG. 3

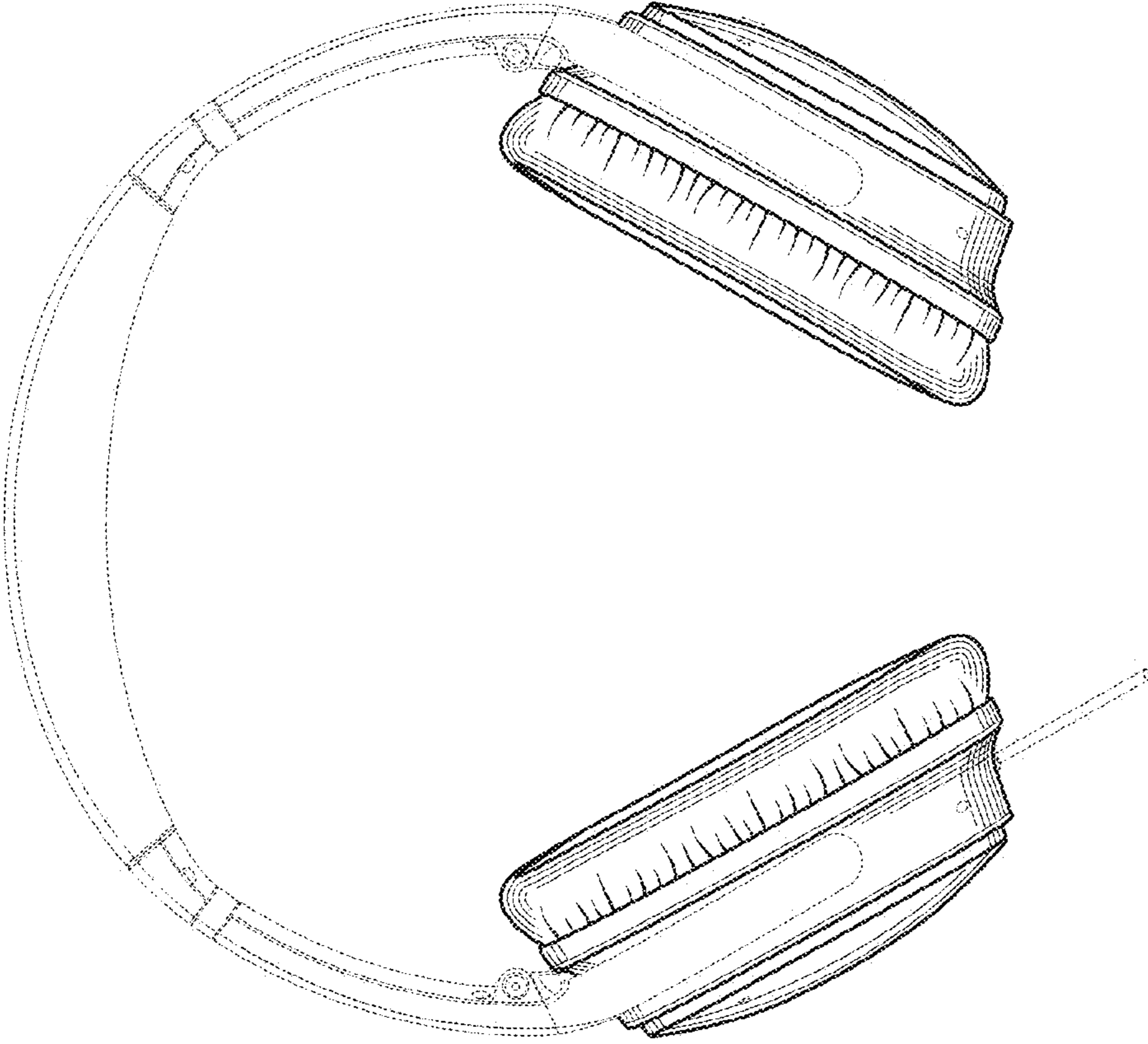


FIG. 4

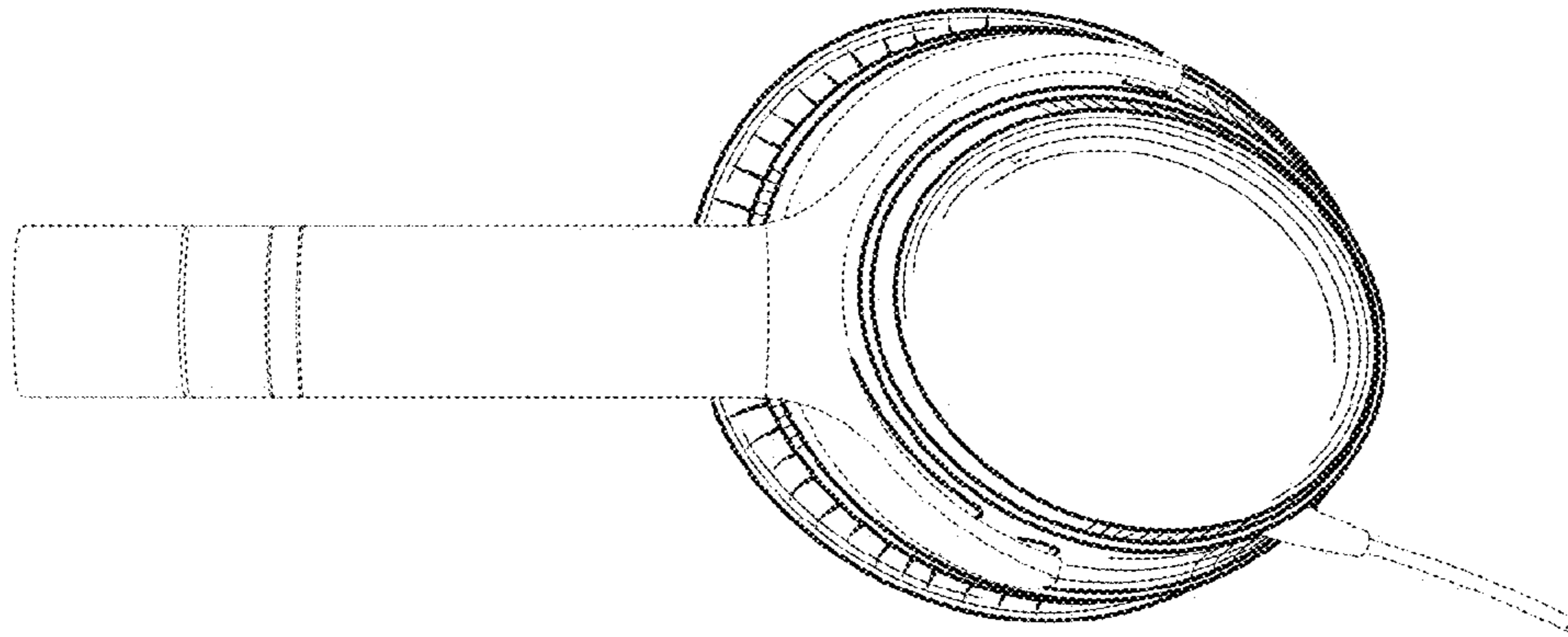


FIG. 6

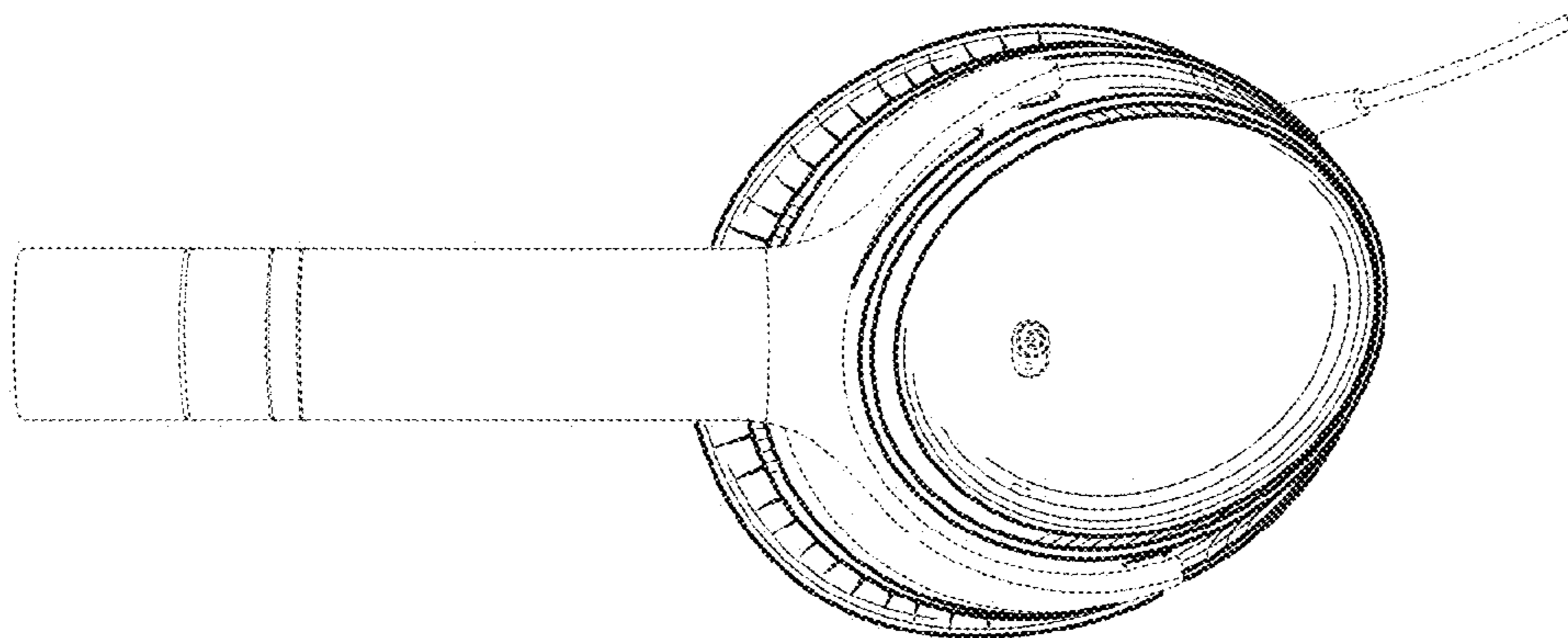


FIG. 5

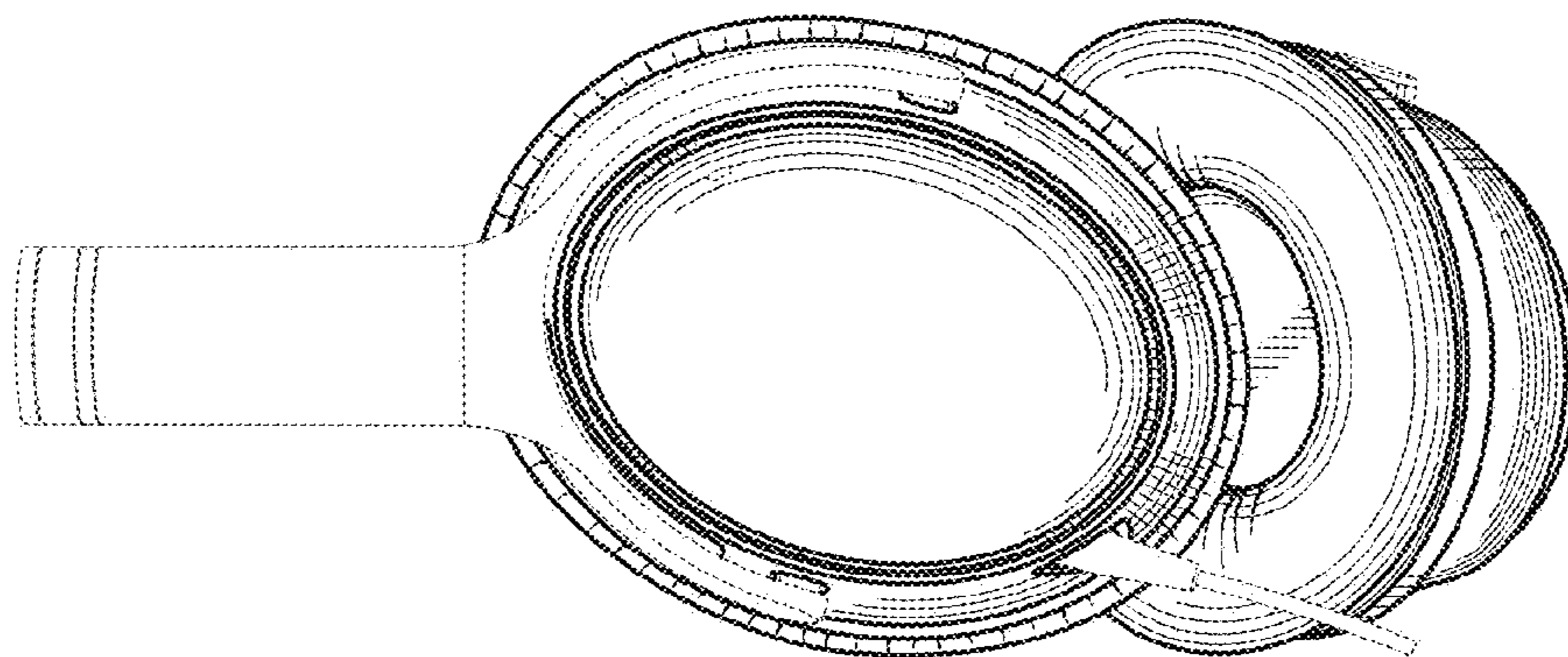


FIG. 7

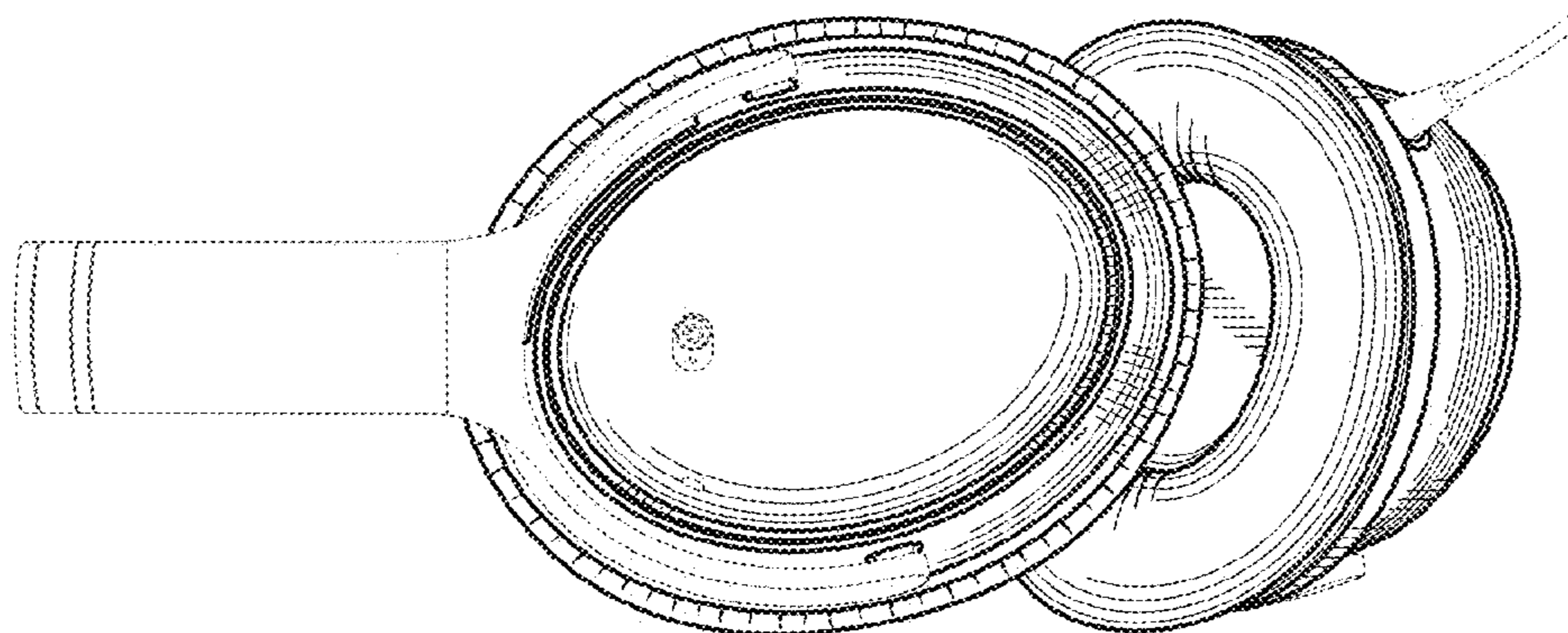


FIG. 8

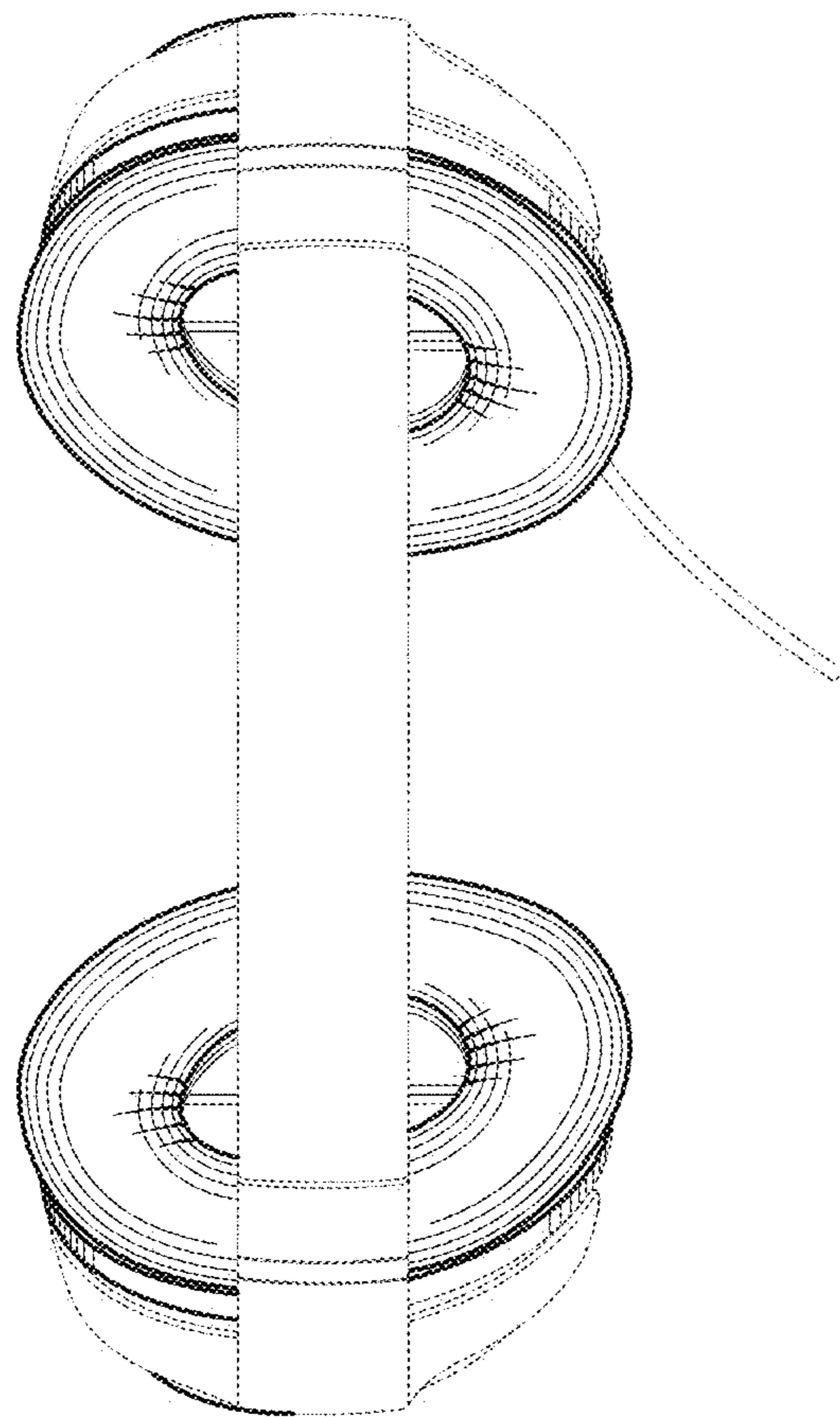


FIG. 9

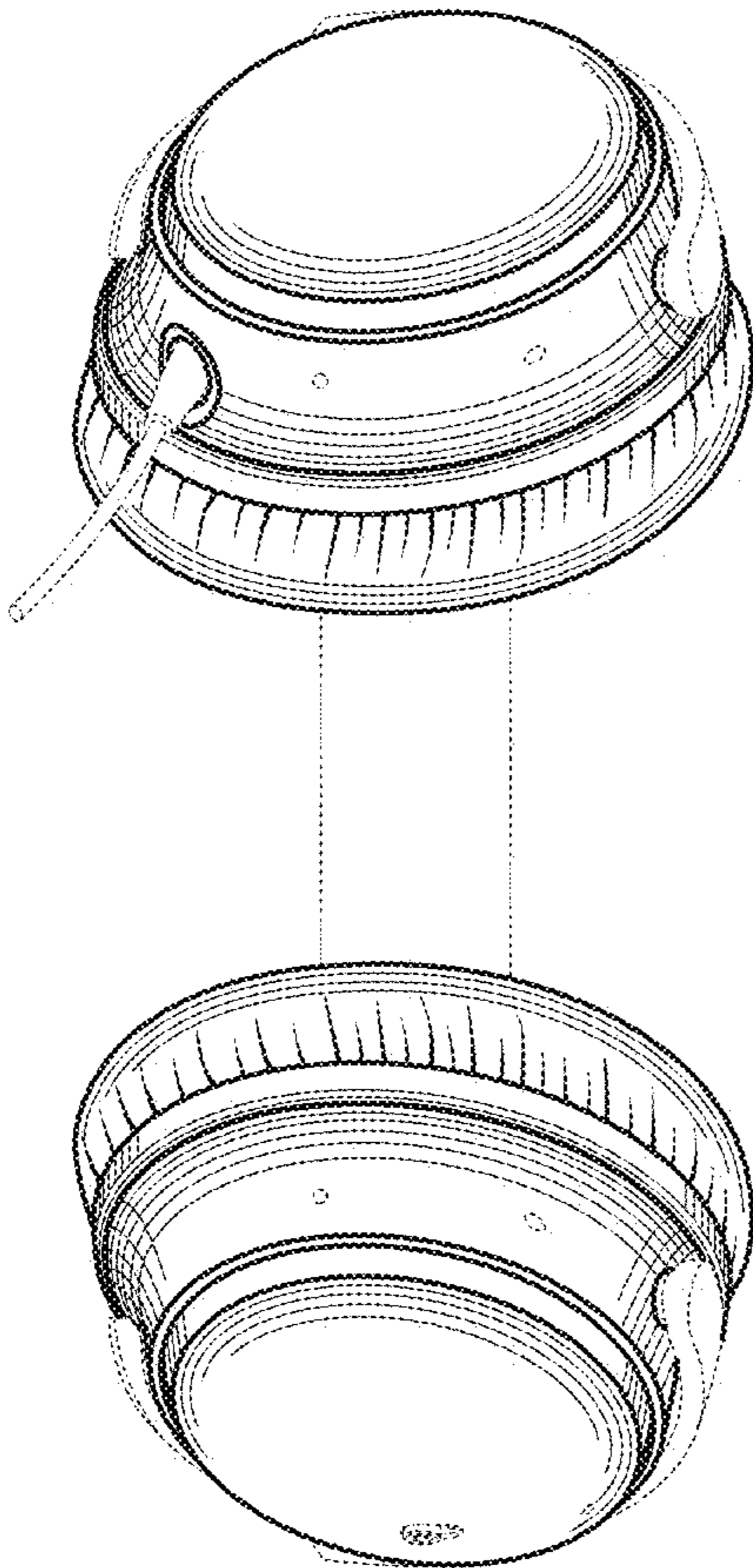


FIG. 10