



US00D737798S

(12) **United States Design Patent**  
**Yoshimura**

(10) **Patent No.:** **US D737,798 S**  
(45) **Date of Patent:** **\*\* Sep. 1, 2015**

(54) **HEADPHONE**

(71) Applicant: **JVC Kenwood Corporation**, Kanagawa (JP)

(72) Inventor: **Satoshi Yoshimura**, Kanagawa (JP)

(73) Assignee: **JVC KENWOOD CORPORATION**, Kanagawa (JP)

(\*\*) Term: **14 Years**

(21) Appl. No.: **29/502,887**

(22) Filed: **Sep. 19, 2014**

(30) **Foreign Application Priority Data**

Aug. 5, 2014 (JP) ..... 2014-017007

(51) **LOC (10) Cl.** ..... **14-01**

(52) **U.S. Cl.**  
USPC ..... **D14/205**

(58) **Field of Classification Search**  
USPC ..... D14/205; D29/112; 2/209; 181/129,  
181/130, 135; 379/430, 431; 381/380, 381,  
381/371; 455/90.3, 575.1

CPC ..... H04R 1/1066  
See application file for complete search history.

(56) **References Cited**

**U.S. PATENT DOCUMENTS**

D345,163 S *	3/1994	Yamatogi	.....	D14/205
D376,598 S *	12/1996	Hayashi	.....	D14/206
D410,466 S *	6/1999	Mouri	.....	D14/205
D420,356 S *	2/2000	Suzuki	.....	D14/205
D442,340 S *	5/2001	Leight et al.	.....	D29/112
D467,580 S *	12/2002	Mori	.....	D14/223
6,902,029 B2 *	6/2005	Weise	.....	181/129
D567,215 S *	4/2008	Lee	.....	D14/205
D584,293 S *	1/2009	Kim et al.	.....	D14/223
D585,879 S *	2/2009	Schulman	.....	D14/223

D589,492 S *	3/2009	Mistry	.....	D14/205
D597,070 S *	7/2009	Zheng	.....	D14/205
D604,266 S *	11/2009	Milde et al.	.....	D14/205
7,720,246 B2 *	5/2010	Wang et al.	.....	381/383
D656,491 S *	3/2012	Nomura	.....	D14/223
D658,630 S *	5/2012	Gondo	.....	D14/205
D677,647 S *	3/2013	Lee et al.	.....	D14/205
D683,334 S *	5/2013	Gondo	.....	D14/223
D686,592 S *	7/2013	Gondo	.....	D14/205
D690,682 S *	10/2013	Iacovelli et al.	.....	D14/205
D695,261 S *	12/2013	Katsumata	.....	D14/205
D698,748 S *	2/2014	Naitou	.....	D14/205
D699,214 S *	2/2014	Gondo	.....	D14/205
D703,183 S *	4/2014	Moriya	.....	D14/206
D713,817 S *	9/2014	Paterson et al.	.....	D14/205
D717,276 S *	11/2014	Zhou	.....	D14/205
D717,766 S *	11/2014	Mchatet	.....	D14/205
D725,074 S *	3/2015	Boeckel et al.	.....	D14/205
D728,512 S *	5/2015	Nakagawa	.....	D14/205

\* cited by examiner

*Primary Examiner* — Paula Greene

(74) *Attorney, Agent, or Firm* — Osha Liang LLP

(57) **CLAIM**

The ornamental design for a headphone, as shown and described.

**DESCRIPTION**

FIG. 1 is a perspective view of front, top and left side of a headphone showing my new design;  
FIG. 2 is a front view thereof;  
FIG. 3 is a rear view thereof;  
FIG. 4 is a left side view thereof;  
FIG. 5 is a right side view thereof;  
FIG. 6 is a top view thereof; and,  
FIG. 7 is a bottom view thereof.

The broken lines shown are included for the purpose of illustrating the unclaimed portions of a headphone and form no part of the claimed design.

**1 Claim, 6 Drawing Sheets**

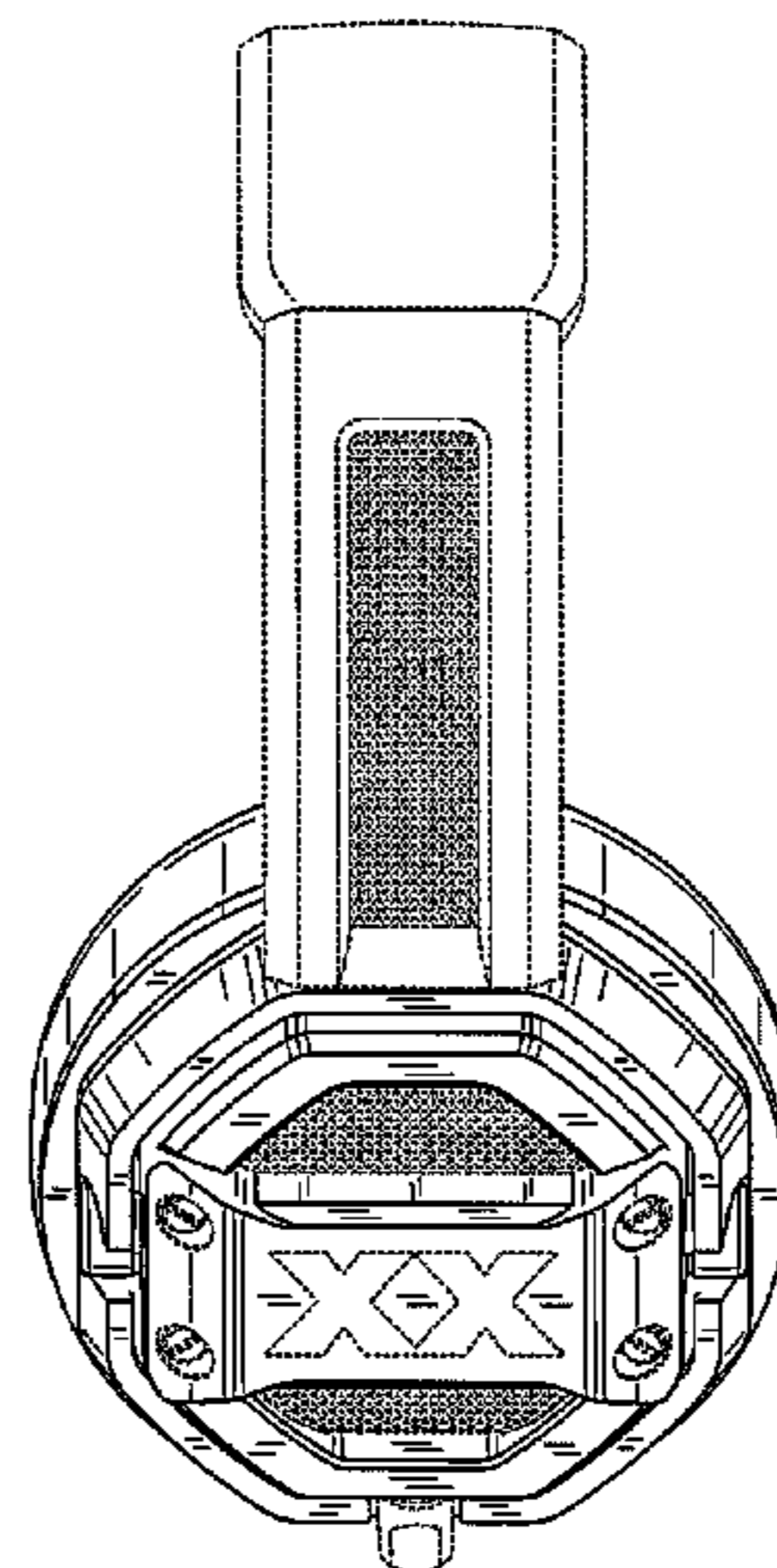
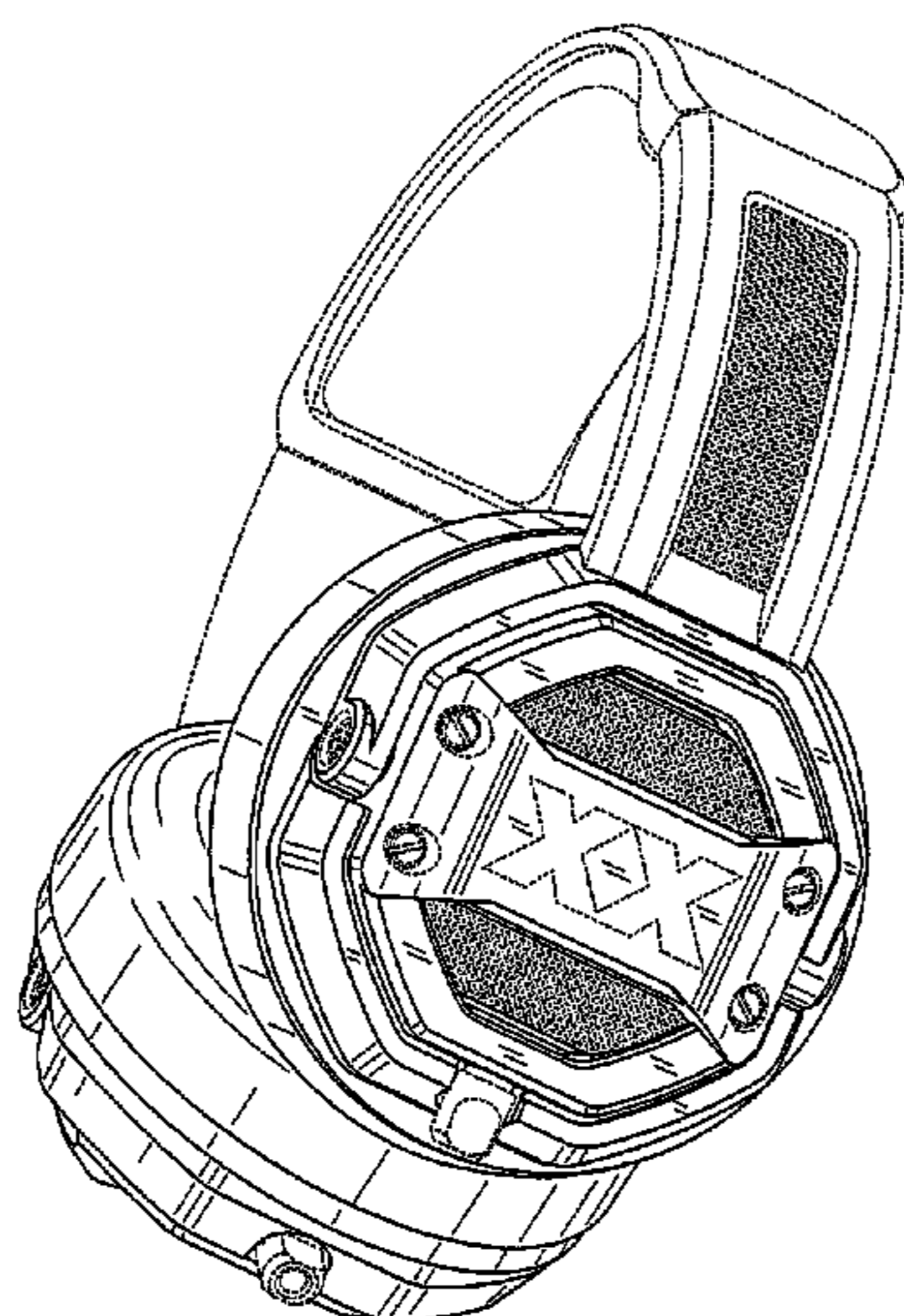


Fig. 1

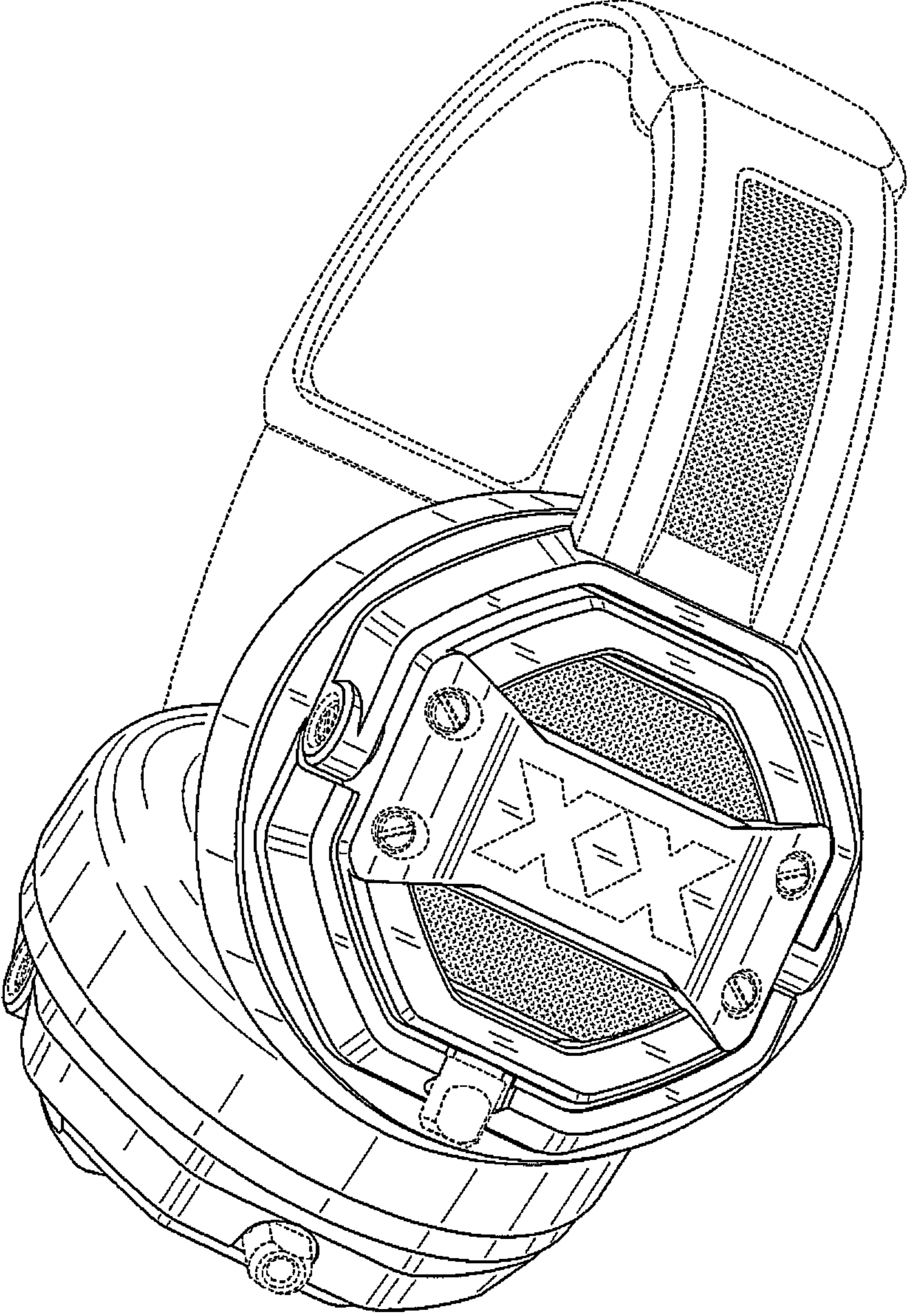




Fig. 2

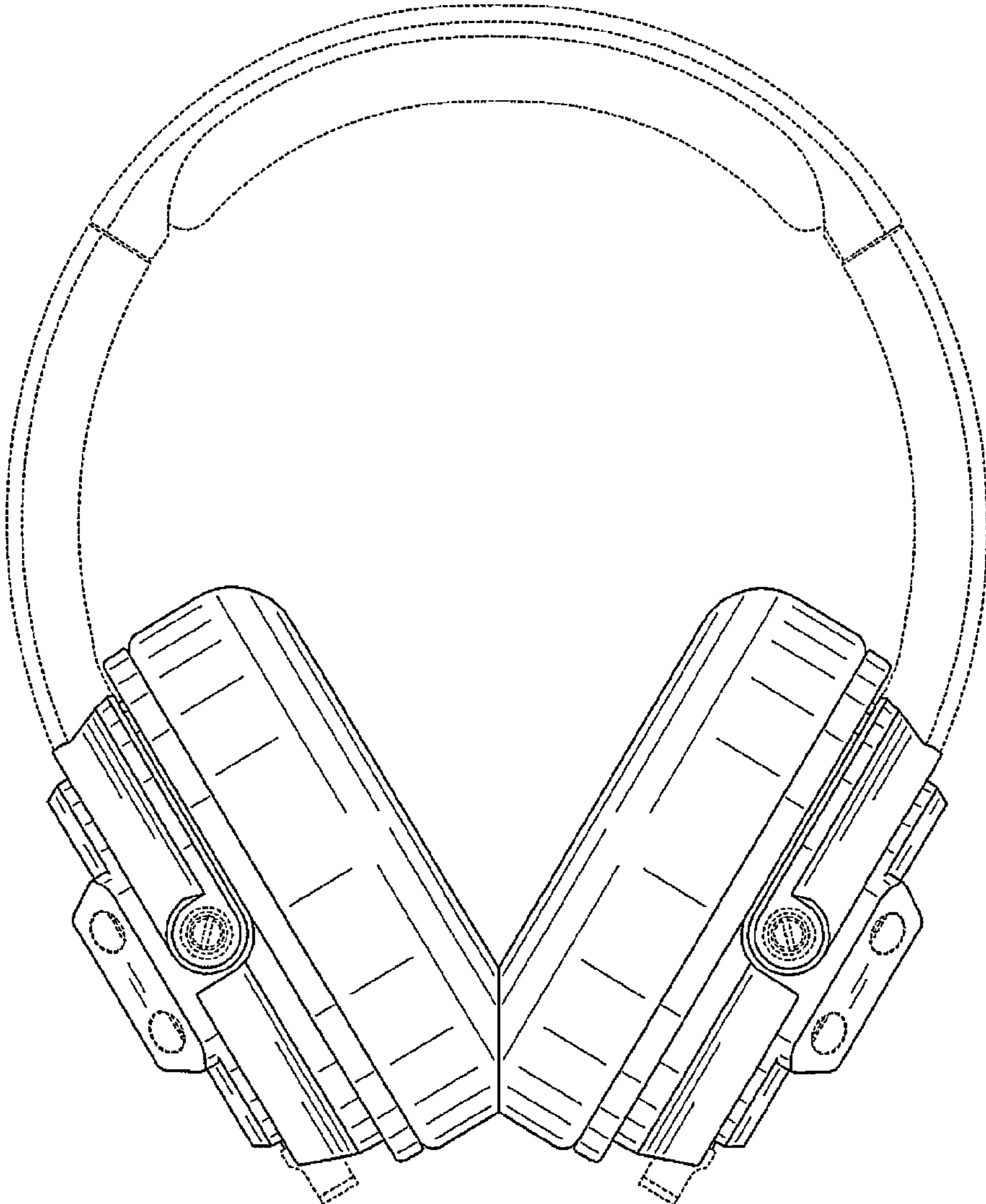


Fig. 3

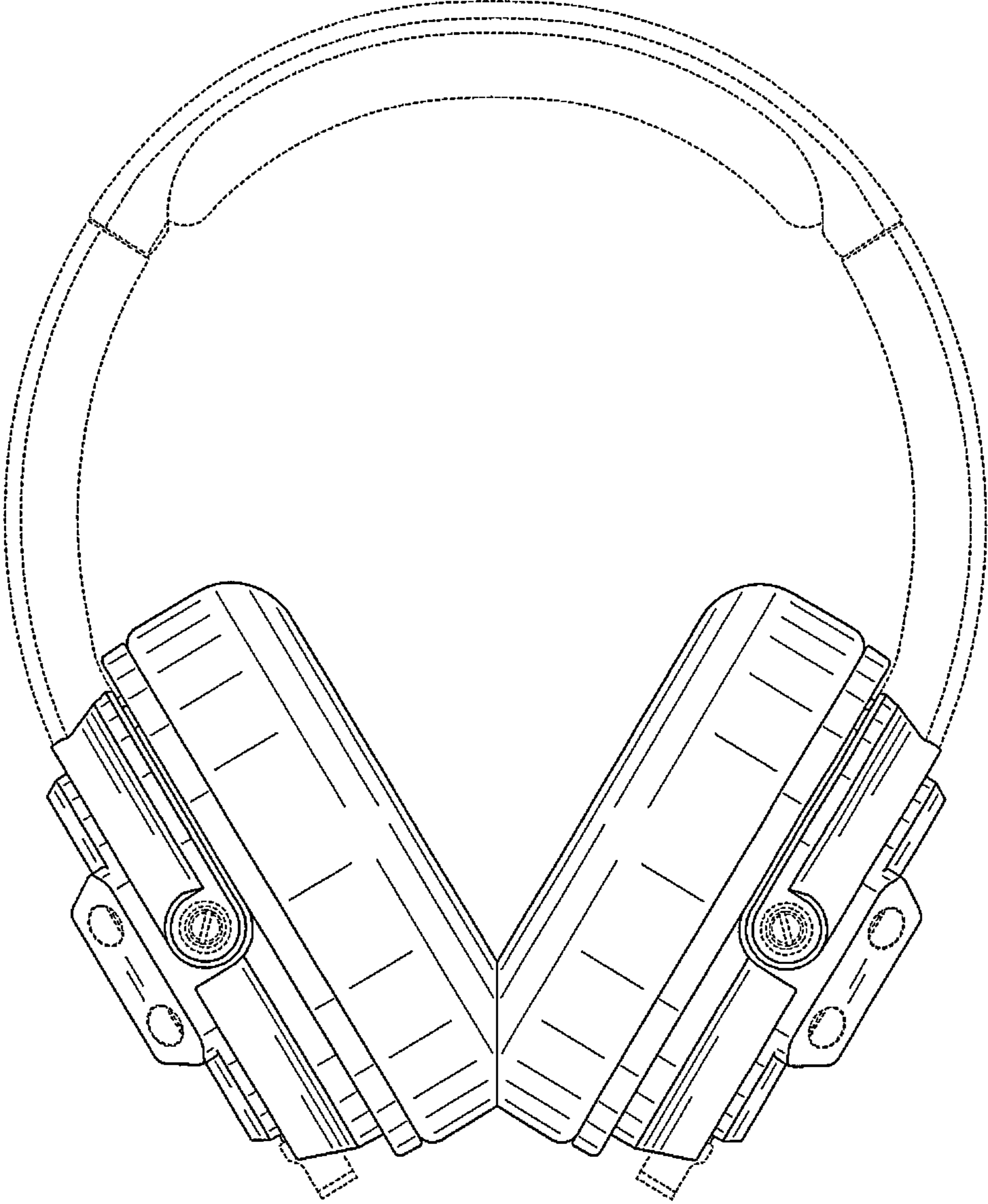


Fig. 4

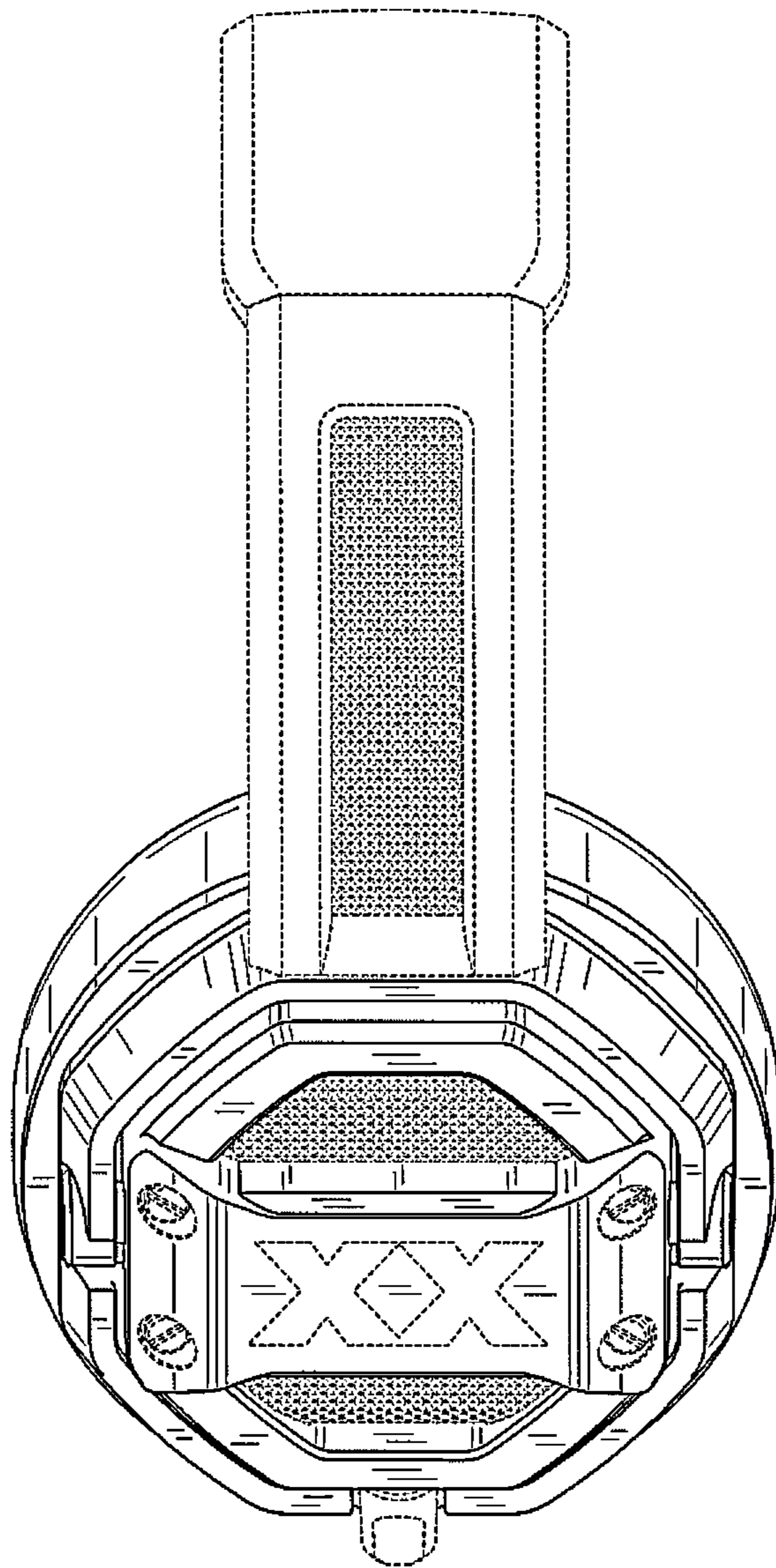


Fig. 5

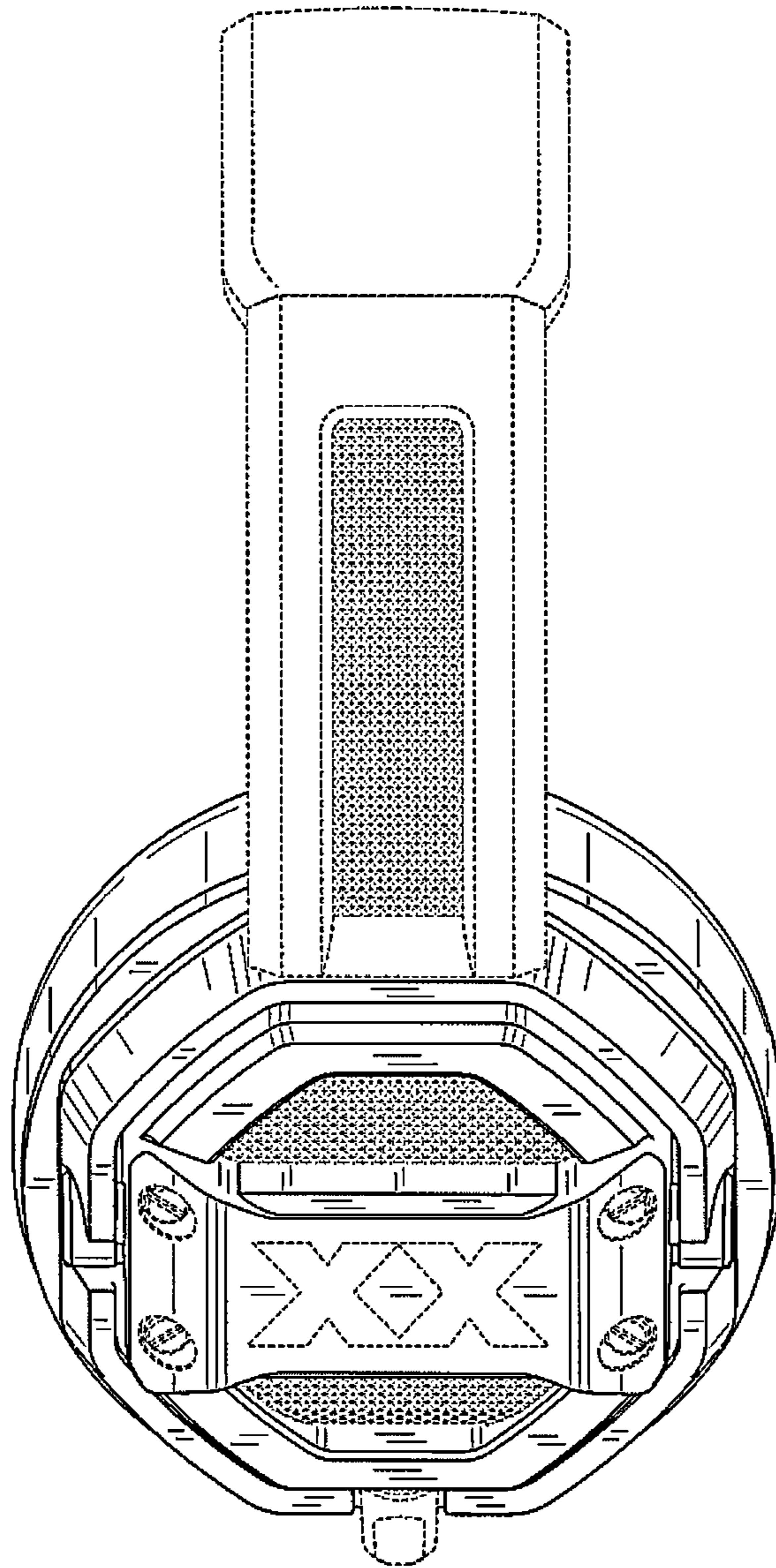




Fig. 6

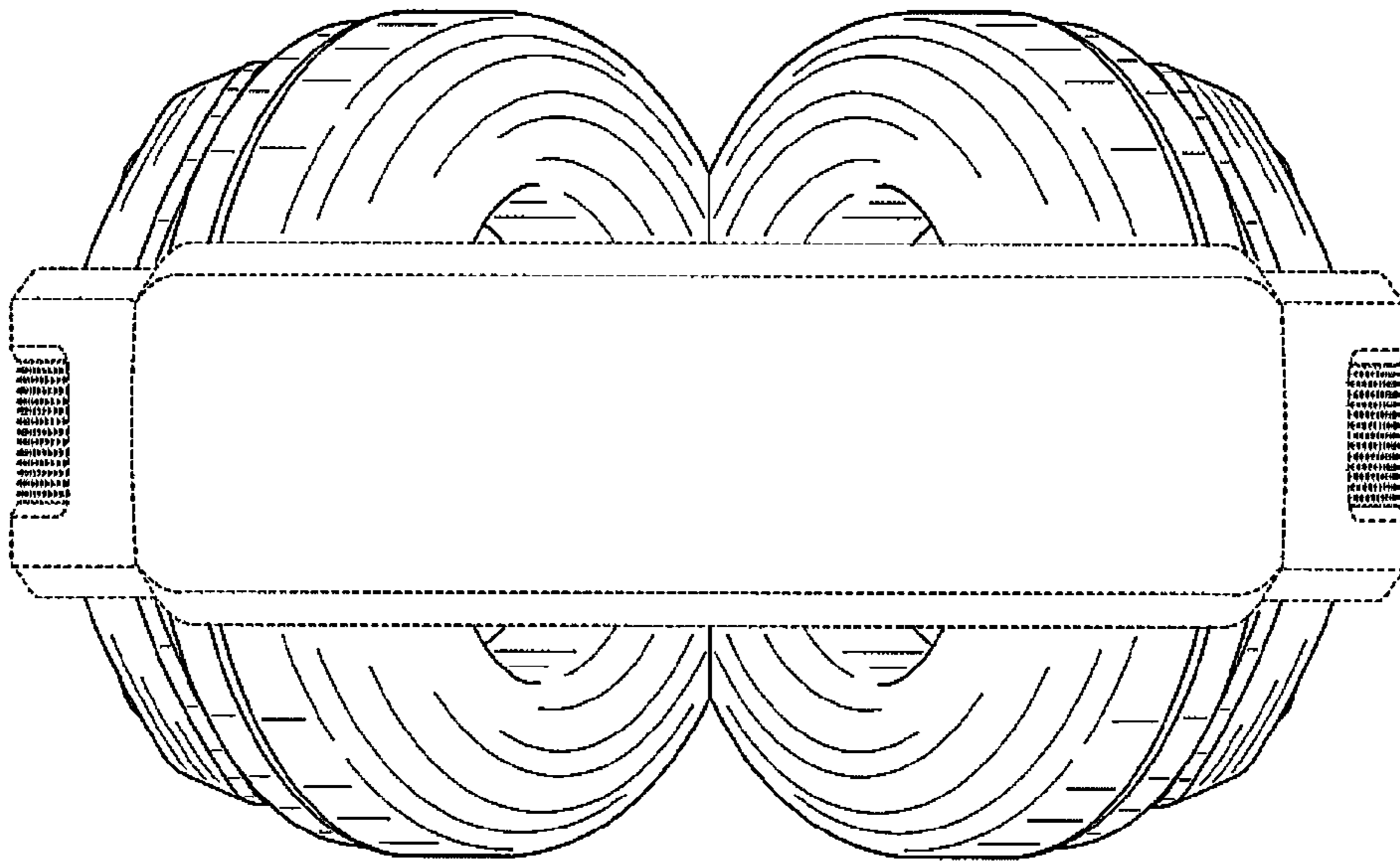


Fig. 7

